

■Features

- Highest luminous flux
- Super energy efficiency
- Very long operating life (up to 100K hours)
- Superior ESD protection
- No UV

■Applications

- Read lights (car, bus, aircraft)
- Portable (flashlight, bicycle)
- Bollards / Security / Garden
- Traffic signaling / Beacons
- In door / Out door Commercial lights
- Automotive Ext

■Absolute Maximum Rating

($T_a=25$)

Item	Symbol	Value	Unit
DC Forward Current	I_F	800	mA
Pulse Forward Current*	I_{FP}	1000	mA
Reverse Voltage	V_R	5	V
Power Dissipation	P_D	2400	mW
Operating Temperature	T_{opr}	-30 ~ +85	
Storage Temperature	T_{stg}	-40 ~ +100	
Lead Soldering Temperature	T_{sol}	260 /5sec	-

*Pulse width Max.10ms Duty ratio max 1/10

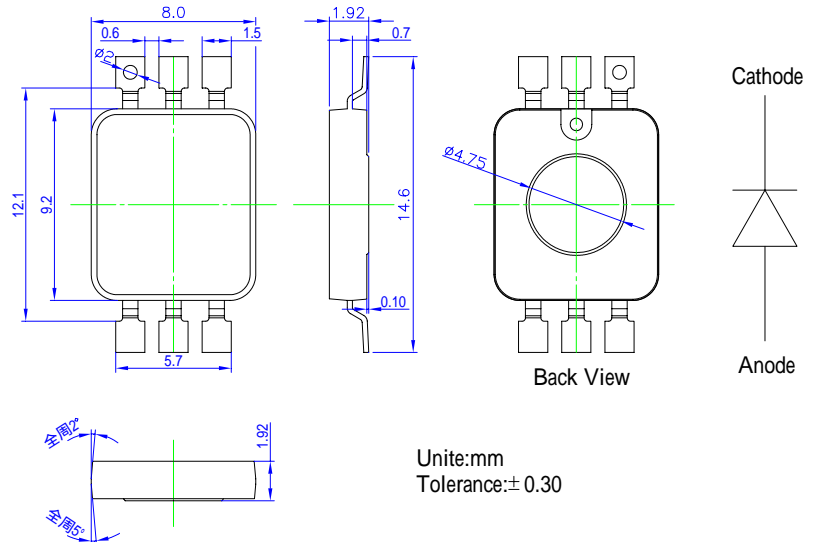
■Electrical -Optical Characteristics

($T_a=25$)

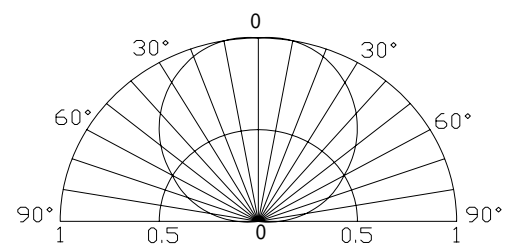
Item	Symbol	Condition	Min.	Typ.	Max.	Unit
DC Forward Voltage	V_F	$I_F=700mA$	2.0	2.5	3.0	V
DC Reverse Current	I_R	$V_R=5V$	-	-	10	μA
Domi. Wavelength	λ_D	$I_F=700mA$	619	624	629	nm
Luminous Flux	ν	$I_F=700mA$	-	90	120	lm
50% Power Angle	$2\theta_{1/2}$	$I_F=700mA$	-	120	-	deg

Note: Don't drive at rated current more than 5s without heat sink for Commercial 3 Power emitter series.

■Outline Dimension



■Directivity



Forward Operating Current (DC)

