

**PLEASE CHECK WWW.MOLEX.COM FOR LATEST PART INFORMATION**

**Part Number:** [0513380374](#)  
**Status:** **Active**  
**Description:** 0.40mm (.016") Pitch Board-to-Board SlimStack™ Receptacle, Surface Mount, Dual Row, Vertical Stacking, 1.50mm (.059") Stacking Height, with Space Saving J-Bend Leads, 30 Circuits, Lead-free

**Documents:**

[3D Model](#) [Product Specification PS-51338-002 \(PDF\)](#)  
[Drawing \(PDF\)](#) [RoHS Certificate of Compliance \(PDF\)](#)

**General**

Product Family PCB Receptacles  
 Series [51338](#)  
 Application Board-to-Board  
 Comments Solder Tab Plating: Tin (Sn) over Nickel  
 Product Name SlimStack™

**Physical**

Circuits (Loaded) 30  
 Circuits (maximum) 30  
 Color - Resin Black  
 Durability (mating cycles max) 30  
 Glow-Wire Compliant No  
 Lock to Mating Part Yes  
 Mated Height (in) 0.059 In  
 Mated Height (mm) 1.50 mm  
 Material - Metal Phosphor Bronze  
 Material - Plating Mating Gold  
 Material - Plating Termination Gold  
 Number of Rows 2  
 Orientation Vertical  
 PCB Locator No  
 PCB Retention None  
 Packaging Type Embossed Tape on Reel  
 Pitch - Mating Interface (in) 0.016 In  
 Pitch - Mating Interface (mm) 0.40 mm  
 Polarized to Mating Part No  
 Polarized to PCB No  
 Stackable No  
 Surface Mount Compatible (SMC) Yes  
 Temperature Range - Operating -25°C to +85°C  
 Termination Interface: Style Surface Mount

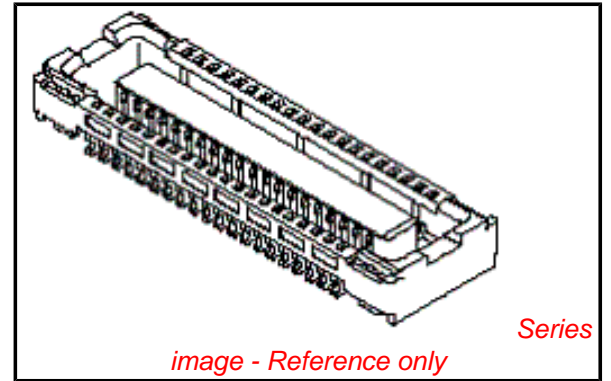
**Electrical**

Current - Maximum per Contact 0.3A  
 Voltage - Maximum 50V AC (RMS)/DC

**Material Info**

**Reference - Drawing Numbers**

Packaging Specification SPK-51338-001  
 Product Specification PS-51338-002, RPS-51338-007, RPS-51338-008, RPS-51338-012, RPS-51338-013, RPS-51338-018, RPS-51338-019, RPS-51338-020, RPS-51338-022, RPS-51338-025, RPS-51338-026, RPS-51338-027, RPS-51338-030, RPS-51338-031, RPS-51338-034  
 Sales Drawing SD-51338-003, SD-51338-004



**EU RoHS**

**ELV and RoHS Compliant**

**REACH SVHC**

**Contains SVHC: No**

**Halogen-Free**

**Status**

**Not Reviewed**

**Need more information on product environmental compliance?**

Email [productcompliance@molex.com](mailto:productcompliance@molex.com)  
 For a multiple part number RoHS Certificate of Compliance, [click here](#)

Please visit the [Contact Us](#) section for any non-product compliance questions.

**China RoHS**



**Search Parts in this Series**

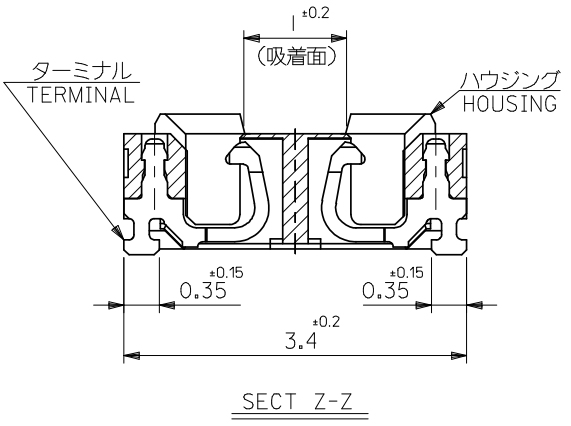
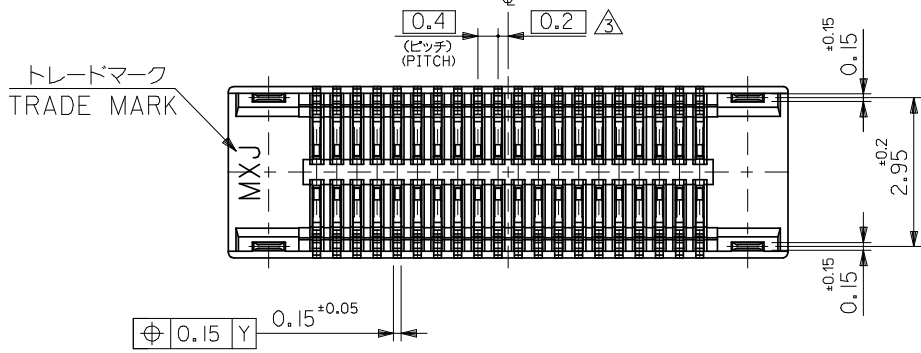
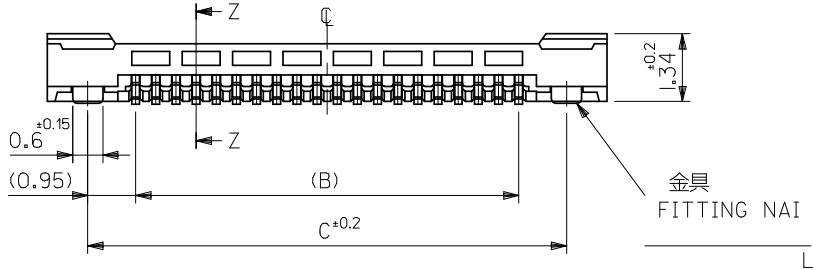
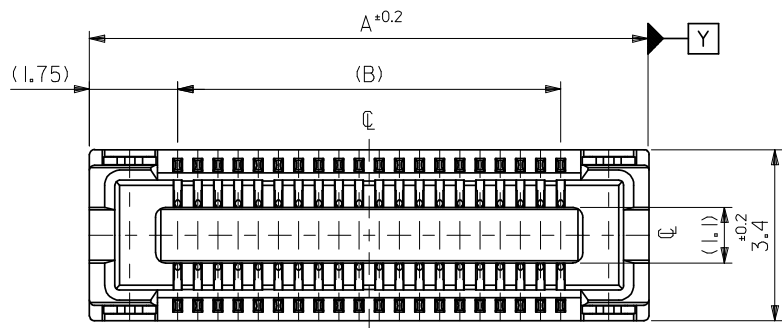
[51338Series](#)

**Mates With**

[55909 PCB Header](#)

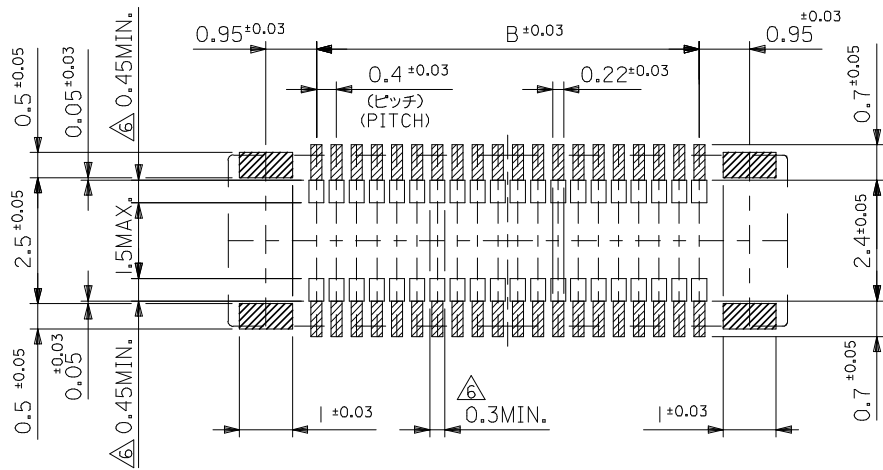
This document was generated on 06/07/2010

**PLEASE CHECK [WWW.MOLEX.COM](http://WWW.MOLEX.COM) FOR LATEST PART INFORMATION**



|      |      |      |   |              |      |
|------|------|------|---|--------------|------|
| 25.5 | 23.6 | 27.1 | 51338-1274                              | 51338-1209   | 120  |
| 21.5 | 19.6 | 23.1 | 51338-1074                              | 51338-1009   | 100  |
| 19.5 | 17.6 | 21.1 | 51338-0974                              | 51338-0909   | 90   |
| 17.5 | 15.6 | 19.1 | 51338-0874                              | 51338-0809   | 80   |
| 15.5 | 13.6 | 17.1 | 51338-0774                              | 51338-0709   | 70   |
| 13.5 | 11.6 | 15.1 | 51338-0674                              | 51338-0609   | 60   |
| 11.5 | 9.6  | 13.1 | 51338-0574                              | 51338-0509   | 50   |
| 9.5  | 7.6  | 11.1 | 51338-0474                              | 51338-0409   | 40   |
| 8.3  | 6.4  | 9.9  | 51338-3474                              | 51338-0349   | 34   |
| 7.5  | 5.6  | 9.1  | 51338-0374                              | 51338-0309   | 30   |
| 6.7  | 4.8  | 8.3  | 51338-2674                              | 51338-0269   | 26   |
| 6.3  | 4.4  | 7.9  | 51338-2474                              | 51338-0249   | 24   |
| 5.9  | 4.0  | 7.5  | 51338-2274                              | 51338-0229   | 22   |
| 5.5  | 3.6  | 7.1  | 51338-0274                              | 51338-0209   | 20   |
| 3.9  | 2.0  | 5.5  | 51338-9974                              | 51338-0129   | 12   |
| C    | B    | A    | EMBOSSED TAPE PKG.<br>ORDER No. オオーダー番号 | MATERIAL No. | CKT. |

|   |                                       |                  |  |                    |  |                        |           |                     |
|---|---------------------------------------|------------------|--|--------------------|--|------------------------|-----------|---------------------|
| REVISED<br>EC NO.: J2009-0301<br>DRWN: MWABEI 2008/08/27<br>CHKD: THARUYAMA 2008/08/28<br>APPR: NUKITA 2008/08/28 | GENERAL TOLERANCES (UNLESS SPECIFIED) |                  | DIMENSION STYLE<br>MM ONLY                                 |                    | SCALE<br>---   | DESIGN UNITS<br>METRIC | MODEL NO. |                     |
|   | 10 UNDER                              | ±---             | DRAWN BY<br>M. NINOMIYA                                    | DATE<br>2004/03/17 | TITLE<br>0.4 B-TO-B REC ASSY<br>HGT=1.5 J-BEND TAIL<br>-LEAD FREE- |                        |           |                     |
|   | 10 OVER 30 UNDER                      | ±---             | CHECKED BY<br>K. TOJO                                      | DATE<br>2004/03/17 | MATERIAL NO.   |                        |           |                     |
|   | 30 OVER                               | ±---             | APPROVED BY<br>M. SASAO                                    | DATE<br>2004/03/17 | DOCUMENT NO.<br>SD-51338-003                                       |                        |           |                     |
| REV   | DESCRIPTION                           | ANGULAR<br>±---° | DRAFT WHERE APPLICABLE<br>MUST REMAIN<br>WITHIN DIMENSIONS |                    | SEE TABLE  |                        |           | SHEET NO.<br>1 OF 2 |



参考基板レイアウト (マウント面)  
P.C.BOARD PATTERN DIMENSION (REFERENCE)  
(MOUNTING AREA)

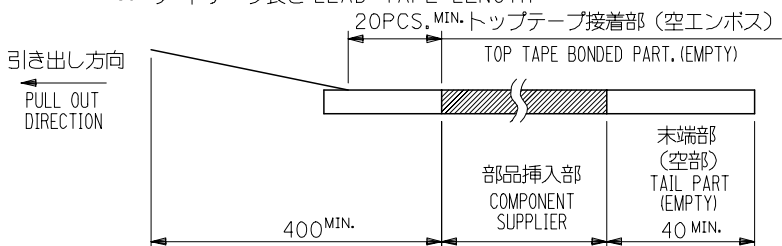
注記 NOTES:

1. 使用材料 MATERIAL  
ハウジング: 液晶ポリマー (LCP) ガラス充填 UL94V-0 (黒)  
HOUSING: LIQUID CRYSTAL POLYMER (GLASS FILLED)  
UL94V-0 (COLOR: BLACK)  
ターミナル: リン青銅 (t=0.15)  
TERMINAL: PHOSPHOR BRONZE (t=0.15)  
金具: リン青銅 (t=0.15)  
FITTING NAIL: PHOSPHOR BRONZE (t=0.15)
2. メッキ仕様 PLATING  
ターミナル TERMINAL  
金メッキ 0.2マイクロメートル以上 (コンタクト部)  
GOLD 0.2MICROMETER MINIMUM (CONTACT AREA)  
金メッキ 0.4マイクロメートル以下 (テール部)  
GOLD 0.4MICROMETER MAXIMUM (TAIL AREA)  
下地メッキ: ニッケルメッキ 1.5マイクロメートル以上  
UNDER PLATING: NICKEL 1.5MICROMETER MINIMUM  
\*コンタクト部とテール部はニッケルメッキによって分断されている金メッキです。  
DIVIDE INTO PARTS THE GOLD PLATING OF THE CONTACT AND THE TAIL PART BY THE NICKEL PLATING.  
金具 FITTING NAIL  
錫メッキ 1.0 マイクロメートル以上  
TIN PLATING 1.0 MICROMETER MINIMUM  
下地メッキ: ニッケルメッキ 1.0 マイクロメートル以上  
UNDER PLATING: NICKEL 1.0 MICROMETER MINIMUM
3. (全極数/2) = 偶数の場合に適用。  
APPLY FOR (CIRCUIT/2)=EVEN.
4. 嵌合相手: 55909シリーズ  
MATE WITH: 55909 SERIES.
5. テール平坦度は、0.08以下  
テール及び金具の平坦度は、0.1以下  
TAIL COPLANARITY TO BE 0.08MAXIMUM  
TAIL AND FITTING NAIL COPLANARITY TO BE 0.1MAXIMUM
6. 同一回路以外のパターン書込み禁止範囲を示す。  
NO PRINT CIRCUIT AREA OTHER THAN THE SAME CIRCUIT.
7. 本製品は 51338-\*\*\*3 の鉛フリー品である。  
THIS PRODUCT IS LEAD FREE OF 51338-\*\*\*3.

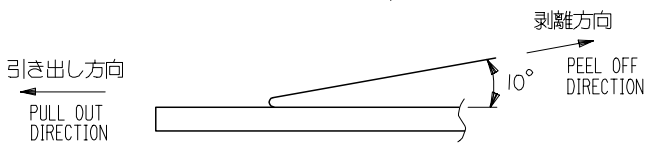
|   |                                       |             |                            |  |            |              |   |                     |  |
|---|---------------------------------------|-------------|----------------------------|--|------------|--------------|---|---------------------|--|
| REVISED<br>EC NO.: J2009-0301<br>DRAWN: MABEI 2008/08/27<br>CHKD: THARUYAMA 2008/08/28<br>APPR: NUKITA 2008/08/28 | GENERAL TOLERANCES (UNLESS SPECIFIED) |             | DIMENSION STYLE<br>MM ONLY |  | 51338-***9 |              | MODEL NO.   |                     |  |
|   | 10 UNDER                              | ±---        | DRAWN BY                   | DATE   | SCALE      | DESIGN UNITS | THIRD ANGLE PROJECTION                                    |                     |  |
|   | 10 OVER 30 UNDER                      | ±---        | M. NINOMIYA                | 2004/03/17   | ---        | METRIC       | 0.4 B-TO-B REC ASSY<br>HGT=1.5 J-BEND TAIL<br>-LEAD FREE- |                     |  |
|   | 30 OVER                               | ±---        | K. TOJO                    | 2004/03/17   | TITLE      |              | MOLEX INCORPORATED  |                     |  |
| ANGULAR   | ±---°                                 | APPROVED BY | DATE                       | MATERIAL NO.   |            | DOCUMENT NO. |   |                     |  |
| DRAFT WHERE APPLICABLE<br>MUST REMAIN<br>WITHIN DIMENSIONS  |                                       | SEE SHEET 1 |                            | M. SASAO 2004/03/17  |            | SD-51338-003 |   |                     |  |
| SIZE<br>A3  |                                       |             |                            | THIS DRAWING CONTAINS INFORMATION THAT IS PROPRIETARY TO MOLEX<br>INCORPORATED AND SHOULD NOT BE USED WITHOUT WRITTEN PERMISSION |            |              |   | SHEET NO.<br>2 OF 2 |  |

NOTES

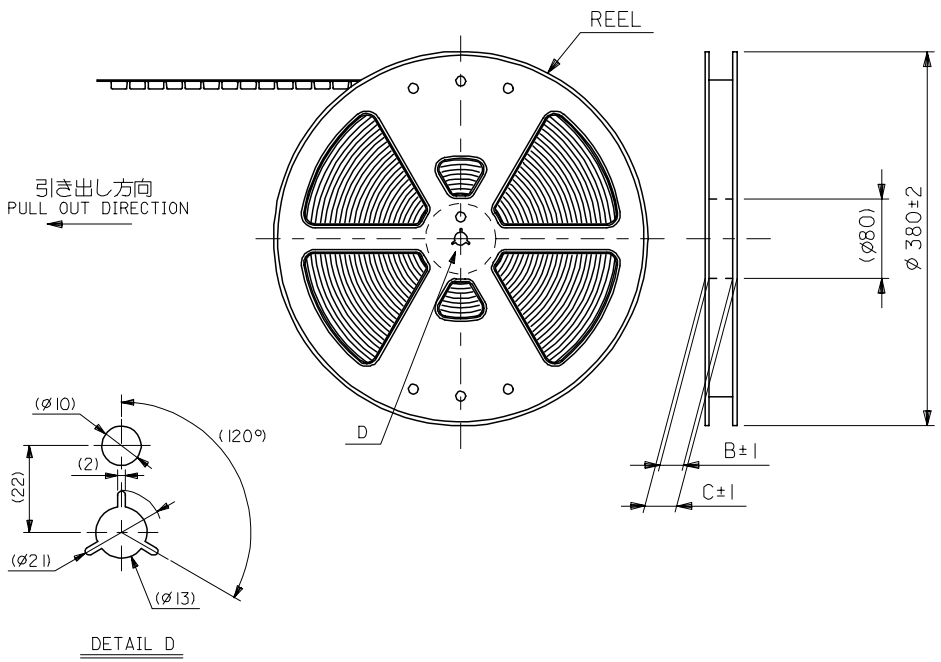
- 製品詳細寸法については製品単体図面を参照下さい。  
RE DETAILED DIMENSION, SEE PRODUCT DRAWING.
- 梱包数量：2500個/リール  
NUMBER OF CONNECTORS : 2500PCS/REEL
- リードテープ長さ LEAD TAPE LENGTH



- トップテープの剥離強度：0.1N～1.3N(10gf～130gf)  
(剥離方向は下図参照)  
尚、本規格値は出荷時に適用。(但し、輸送時に剥離が発生しないこと。)  
PEELING OFF FORCE OF TOP TAPE : 0.1N～1.3N(10gf～130gf)  
(PEELING DIRECTION AS SHOWN IN FOLLOWING FIG.)  
THIS REQUIREMENT SHOULD BE APPLIED AT SHIPMENT.  
PEEL OFF SHOULD NOT BE ALLOWED, DURING TRANSPORTATION.



- 材料  
キャリアテープ (CARRIER TAPE) : ポリプロピレン (POLYPROPYLENE)  
トップテープ (TOPTAPE) : PET, PE, PEF  
リール (REEL) : ポリスチレン (PS) <リサイクル材を含む>  
POLYSTYRENE (PS) <RECYCLE MATERIAL CONTAINED>
- 本製品は 51338-\*\*\*4 の鉛フリー品である。  
THIS PRODUCT IS LEAD FREE OF 51338-\*\*\*4.



DETAIL D

|   |                                       |              |   |              |  |           |                        |  |
|---|---------------------------------------|--------------|---|--------------|--|-----------|------------------------|--|
| REVISED<br>EC NO: J2006-0826<br>DRWN: TAKEMOTO 2005/09/30<br>CHKD: 2005/09/30<br>APPR: NUKITA 2005/09/30                      | GENERAL TOLERANCES (UNLESS SPECIFIED) |              | DIMENSION STYLE<br>MM ONLY              |              | 51338-xx74   |           | MODEL NO.              |  |
|   | 10 UNDER ±---                         |              | DRAWN BY DATE<br>M. NINOMI 2004/03/17   |              | SCALE DESIGN UNITS<br>--- METRIC   |           | THIRD ANGLE PROJECTION |  |
|   | 10 OVER 30 UNDER ±---                 |              | CHECKED BY DATE<br>K. TOJO 2004/03/17   |              | TITLE<br>0.4 B-TO-B CONN. REC HSG<br>ASSY(HGT=1.5) EMBSTP PKG<br>-LEAD FREE-<br>MOLEX INCORPORATED |           |                        |  |
|   | 30 OVER ±---                          |              | APPROVED BY DATE<br>M. SASAO 2004/03/17 |              |  |           |                        |  |
| ANGULAR ±---  |                                       | MATERIAL NO. |   | DOCUMENT NO. |  | SHEET NO. |                        |  |
| DRAFT WHERE APPLICABLE MUST REMAIN WITHIN DIMENSIONS  |                                       | SEE CHART    |   | SD-51338-004 |  | 1 OF 4    |                        |  |
| THIS DRAWING CONTAINS INFORMATION THAT IS PROPRIETARY TO MOLEX INCORPORATED AND SHOULD NOT BE USED WITHOUT WRITTEN PERMISSION |                                       |              |   |              |  |           |                        |  |

10 9 8 7 6 5 4 3 2 1

F

E

D

C

B

A

F

E

D

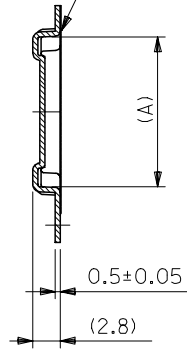
C

B

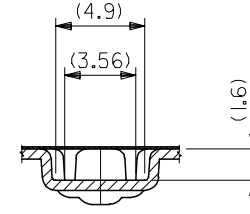
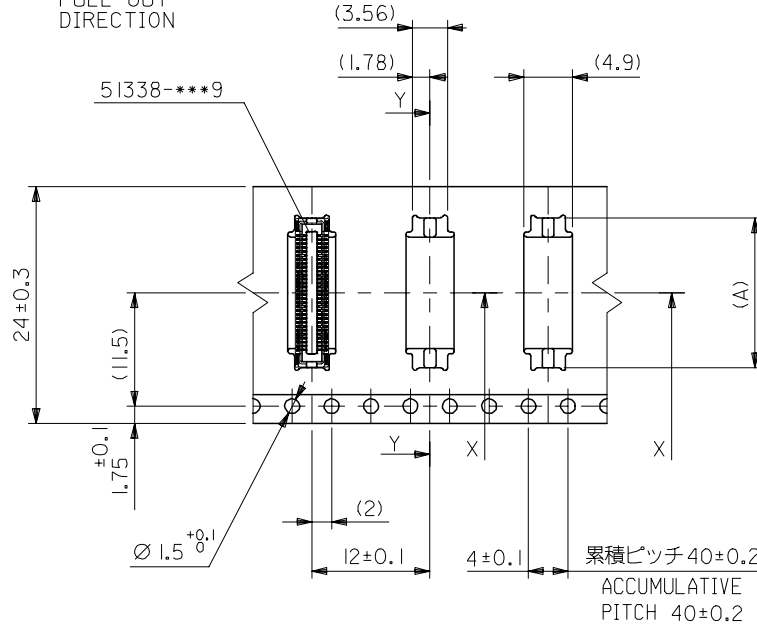
A

引き出し方向  
PULL OUT  
DIRECTION

トップテープ  
TOP TAPE



SECT:Y-Y



SECT:X-X

24mm幅キャリアテープ  
24mm WIDTH CARRIER TAPE

累積ピッチ 40±0.2  
ACCUMULATIVE  
PITCH 40±0.2

|                                |           |      |       |           |     |              |            |
|--------------------------------|-----------|------|-------|-----------|-----|--------------|------------|
| 24                             | 29.4      | 25.4 | 15.26 | 5138-0674 | 60  |              |            |
|                                |           |      | 13.26 | 5138-0574 | 50  |              |            |
|                                |           |      | 11.26 | 5138-0474 | 40  |              |            |
|                                |           |      | 10.06 | 5138-3474 | 34  |              |            |
|                                |           |      | 9.26  | 5138-0374 | 30  |              |            |
|                                |           |      | 8.46  | 5138-2674 | 26  |              |            |
|                                |           |      | 8.06  | 5138-2474 | 24  |              |            |
|                                |           |      | 7.66  | 5138-2274 | 22  |              |            |
|                                |           |      | 7.26  | 5138-0274 | 20  |              |            |
| 5.66                           | 5138-9974 | 12   |       |           |     |              |            |
| キャリアテープ幅<br>CARRIER TAPE WIDTH |           |      | C     | B         | (A) | MATERIAL NO. | 極数<br>CKT. |

|   |                                       |      |  |                    |  |  |                        |                             |                        |                     |
|---|---------------------------------------|------|--|--------------------|--|--|------------------------|-----------------------------|------------------------|---------------------|
| REVISED<br>EC NO: J2006-0826<br>DRWN: TAKEMOTO 2005/09/30<br>CHKD: TANAKA 2005/09/30<br>APPR: NUKITA 2005/09/30 | GENERAL TOLERANCES (UNLESS SPECIFIED) |      | DIMENSION STYLE<br>MM ONLY                                 |                    | SCALE<br>---   |  | DESIGN UNITS<br>METRIC |                             | THIRD ANGLE PROJECTION |                     |
|   | 10 UNDER                              | ±--- | DRAWN BY<br>M. NINOMI                                      | DATE<br>2004/03/17 | TITLE<br>0.4 B-TO-B CONN. REC HSG<br>ASSY(HGT=1.5) EMBSTP PKG<br>-LEAD FREE- |  |                        |                             |                        |                     |
|   | 10 OVER 30 UNDER                      | ±--- | CHECKED BY<br>K. TOJO                                      | DATE<br>2004/03/17 | APPROVED BY<br>M. SASAO 2004/03/17   |  |                        |                             |                        |                     |
|   | 30 OVER                               | ±--- | APPROVED BY<br>M. SASAO 2004/03/17                         |                    | MATERIAL NO.<br>SEE CHART  |  |                        | DOCUMENT NO.<br>SD-5138-004 |                        | SHEET NO.<br>2 OF 4 |
|   | ANGULAR                               | ±--- | DRAFT WHERE APPLICABLE<br>MUST REMAIN<br>WITHIN DIMENSIONS |                    |  |  |                        |                             |                        |                     |

10 9 8 7 6 5 4 3 2 1

F

E

D

C

B

A

F

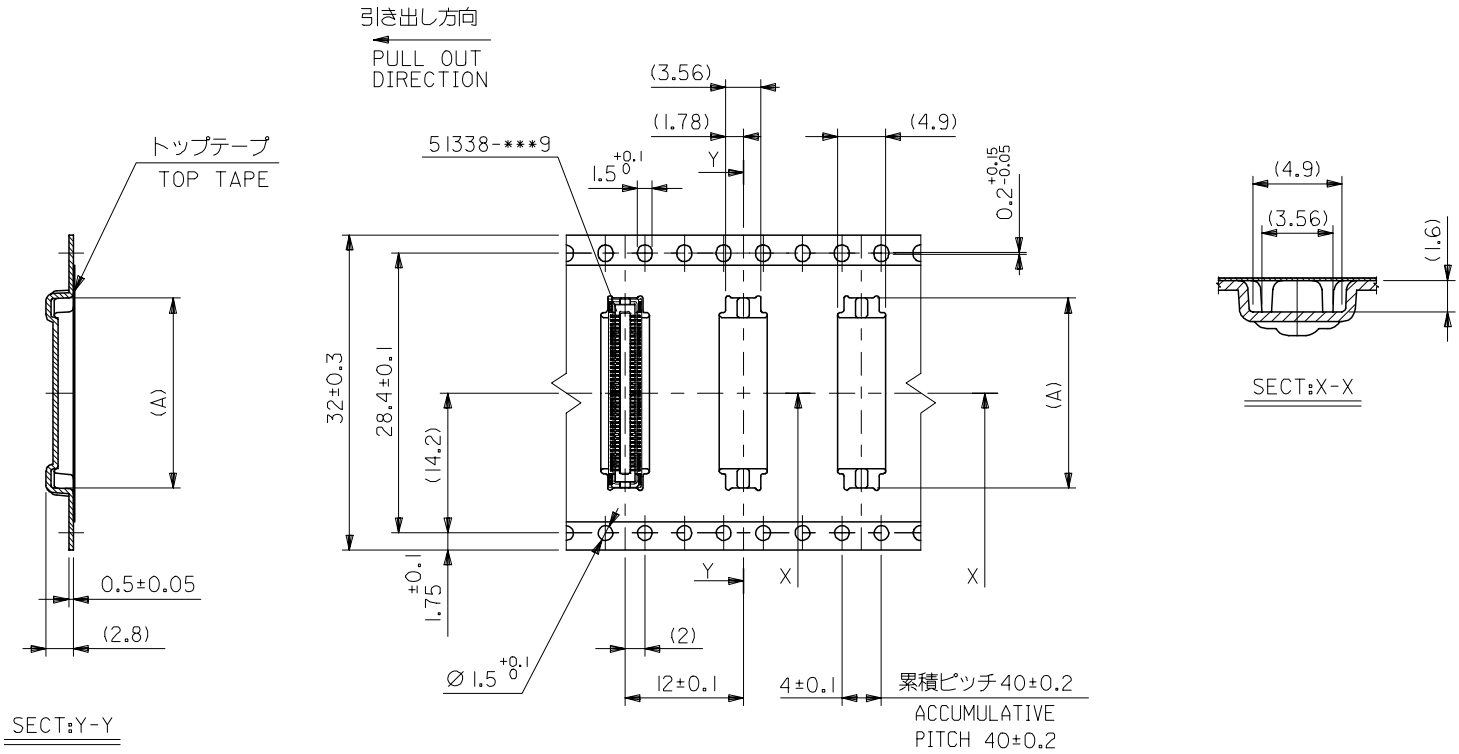
E

D

C

B

A



|                                |      |      |       |              |            |
|--------------------------------|------|------|-------|--------------|------------|
| 32                             | 37.4 | 33.4 | 21.26 | 51338-0974   | 90         |
|                                |      |      | 19.26 | 51338-0874   | 80         |
|                                |      |      | 17.26 | 51338-0774   | 70         |
| キャリアテープ幅<br>CARRIER TAPE WIDTH | C    | B    | (A)   | MATERIAL NO. | 極数<br>CKT. |

|   |  |  |                    |  |           |
|---|--|--|--------------------|--|-----------|
| REVISED<br>EC NO: J2006-0826<br>DRW: TAKEMOTO 2005/09/30<br>CHK: TANAKA 2005/09/30<br>APPR: NUKITA 2005/09/30 | GENERAL TOLERANCES<br>(UNLESS SPECIFIED)                   | DIMENSION STYLE<br>MM ONLY   | SCALE<br>---       | DESIGN UNITS<br>METRIC   | MODEL NO. |
|   | 10 UNDER ±---  | DRAWN BY<br>M. NINOMI  | DATE<br>2004/03/17 | TITLE<br>0.4 B-TO-B CONN. REC HSG<br>ASSY(HGT=1.5) EMBSTP PKG<br>-LEAD FREE- |           |
|   | 10 OVER 30 UNDER ±---                                      | CHECKED BY<br>K. TOJO  | DATE<br>2004/03/17 | THIRD ANGLE<br>PROJECTION  |           |
|   | 30 OVER ±---   | APPROVED BY<br>M. SASAO  | DATE<br>2004/03/17 | MOLEX INCORPORATED   |           |
| ANGULAR ±---  | DRAFT WHERE APPLICABLE<br>MUST REMAIN<br>WITHIN DIMENSIONS | MATERIAL NO.   | DOCUMENT NO.       | SHEET NO.  |           |
|   |  | SEE CHART  | SD-51338-004       | 3 OF 4   |           |
|   |  | THIS DRAWING CONTAINS INFORMATION THAT IS PROPRIETARY TO MOLEX<br>INCORPORATED AND SHOULD NOT BE USED WITHOUT WRITTEN PERMISSION |                    |  |           |

10 9 8 7 6 5 4 3 2 1

F

E

D

C

B

A

F

E

D

C

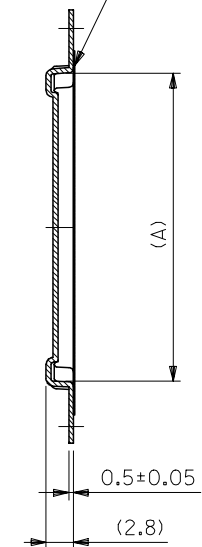
B

A

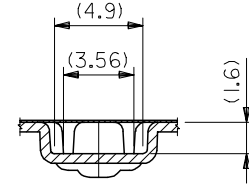
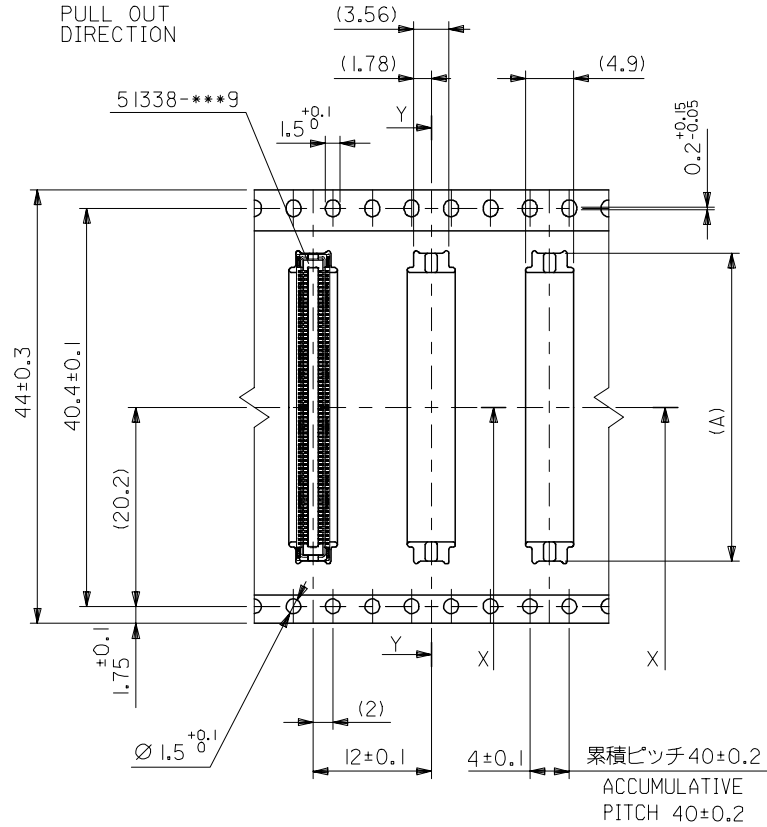
引き出し方向  
PULL OUT  
DIRECTION

トップテープ  
TOP TAPE

51338-\*\*\*9



SECT:Y-Y



SECT:X-X

44mm幅キャリアテープ  
44mm WIDTH CARRIER TAPE

|                                |      |      |       |              |            |
|--------------------------------|------|------|-------|--------------|------------|
| 44                             | 49.4 | 45.4 | 27.26 | 51338-1274   | 120        |
|                                |      |      | 23.26 | 51338-1074   | 100        |
| キャリアテープ幅<br>CARRIER TAPE WIDTH | C    | B    | (A)   | MATERIAL NO. | 極数<br>CKT. |

51338-\*\*\*74 MODEL NO.

|  |                                       |  |                            |                    |  |                        |                           |
|--|---------------------------------------|--|----------------------------|--------------------|--|------------------------|---------------------------|
| REVISED<br>EC NO: J2006-0826<br>DRWN: TAKEMOTO<br>CHKD: 2005/09/30<br>APPR: NUKITA<br>2005/09/30 | GENERAL TOLERANCES (UNLESS SPECIFIED) |  | DIMENSION STYLE<br>MM ONLY |                    | SCALE<br>---   | DESIGN UNITS<br>METRIC | THIRD ANGLE<br>PROJECTION |
|  | 10 UNDER                              | ±---   | DRAWN BY<br>M. NINOMI      | DATE<br>2004/03/17 | TITLE<br>0.4 B-TO-B CONN. REC HSG<br>ASSY(HGT=1.5) EMBSTP PKG<br>-LEAD FREE- |                        |                           |
|  | 10 OVER 30 UNDER                      | ±---   | CHECKED BY<br>K. TOJO      | DATE<br>2004/03/17 | APPROVED BY<br>M. SASAO  |                        |                           |
|  | 30 OVER                               | ±---   | APPROVED BY<br>M. SASAO    | DATE<br>2004/03/17 | MATERIAL NO.<br>SD-51338-004   |                        |                           |
|  | ANGULAR                               | ±---   | SEE CHART                  |                    | DOCUMENT NO.<br>SD-51338-004   |                        | SHEET NO.<br>4 OF 4       |
| DRAFT WHERE APPLICABLE<br>MUST REMAIN<br>WITHIN DIMENSIONS                                       |                                       | THIS DRAWING CONTAINS INFORMATION THAT IS PROPRIETARY TO MOLEX<br>INCORPORATED AND SHOULD NOT BE USED WITHOUT WRITTEN PERMISSION |                            |                    |  |                        |                           |

9

8

7

6

5

4

3

2