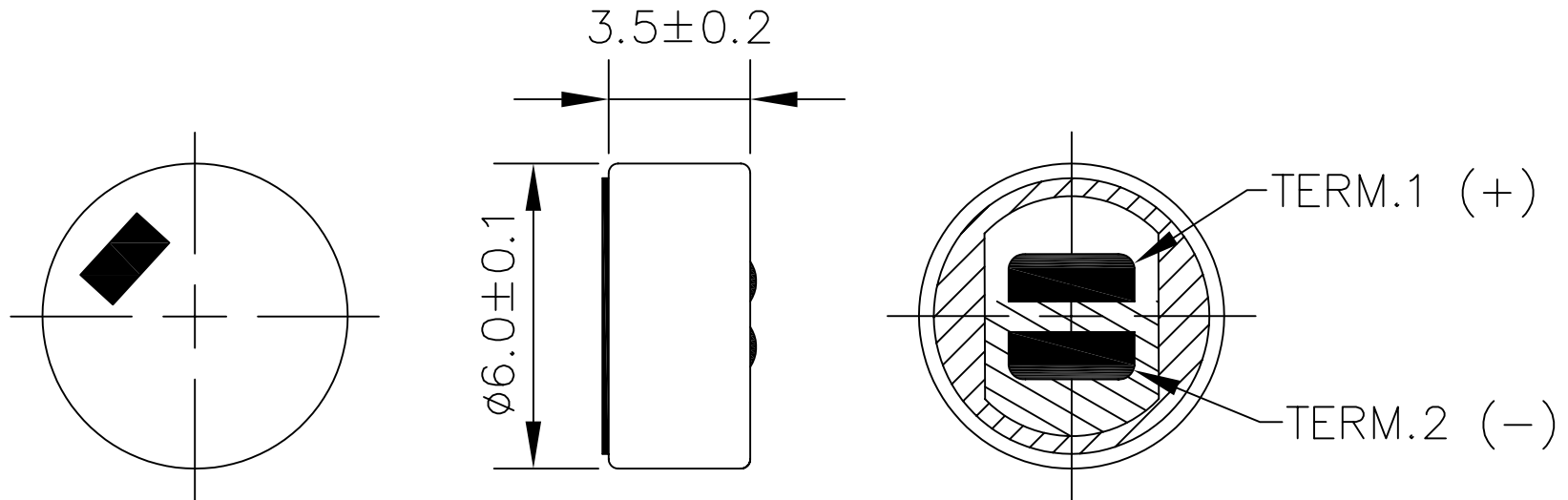


THIS DOCUMENT CONTAINS DATA PROPRIETARY TO PROJECTS UNLIMITED, INC. ANY USE OR REPRODUCTION, IN ANY FORM, WITHOUT PRIOR WRITTEN PERMISSION OF PROJECTS UNLIMITED, INC. IS PROHIBITED.
 © 2005, Projects Unlimited Inc.

SPECIFICATIONS

PARAMETERS	VALUES	UNITS
DIRECTIVITY	OMNI	-
SENSITIVITY	-49±3	dB
STANDARD OPERATING VOLTAGE	2	Vdc
MAX OPERATING VOLTAGE	10	Vdc
CURRENT CONSUMPTION (MAX)	0.5	mA
IMPEDANCE	2.2	kOhm
SIGNAL TO NOISE RATIO (MIN.)	60	dB
TERMINAL	SOLDER PAD	-
INTERNAL CAPACITOR	-	pF


REVISIONS			
LTR	DESCRIPTION	DATE	APPROVED
-	RELEASED FROM ENGINEERING	4/14/06	



NOTES:

- ALL DIMENSIONS ARE IN MILLIMETERS.
- SPECIFICATION SUBJECT TO CHANGE OR WITHDRAWAL WITHOUT NOTICE.
- THIS PART IS RoHS 2002/95/EC COMPLIANT.
- MICROPHONE CLOTH OVER FACE IS IP51 RATED

FILE NAME
 POM-3549L-R.DWG

UNLESS OTHERWISE SPECIFIED: DIMENSIONS ARE IN MILLIMETERS, TOLERANCES ARE ± 0.5 AND ANGLES ARE $\pm 3^\circ$.		 projects® unlimited Dayton, Ohio									
<table border="1"> <thead> <tr> <th>APPROVALS</th> <th>DATE</th> </tr> </thead> <tbody> <tr> <td>DRAWN <i>B.R.</i></td> <td>4/06</td> </tr> <tr> <td>CHECKED <i>B.R.</i></td> <td>4/06</td> </tr> <tr> <td>APPROVED <i>E.P.</i></td> <td>4/06</td> </tr> </tbody> </table>		APPROVALS	DATE	DRAWN <i>B.R.</i>	4/06	CHECKED <i>B.R.</i>	4/06	APPROVED <i>E.P.</i>	4/06	MICROPHONE	
APPROVALS	DATE										
DRAWN <i>B.R.</i>	4/06										
CHECKED <i>B.R.</i>	4/06										
APPROVED <i>E.P.</i>	4/06										
SIZE A	DRAWING NO. POM-3549L-R										
DO NOT SCALE DRAWING		SCALE: N.T.S.	SHEET 1 OF 1								