

■Features

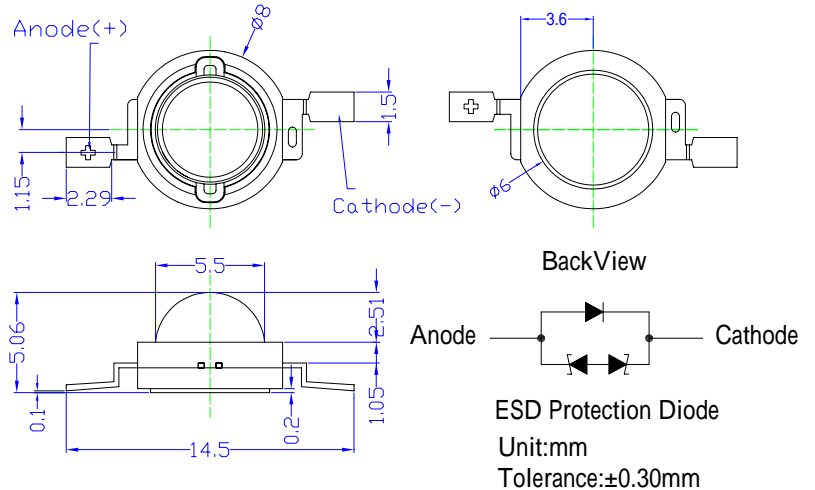
- Highest Luminous Flux
- Super Energy Efficiency
- Long Lifetime Operation
- Superior ESD protection
- Superior UV Resistance

■Caution

- Avoid Reflow Soldering Process

■Applications

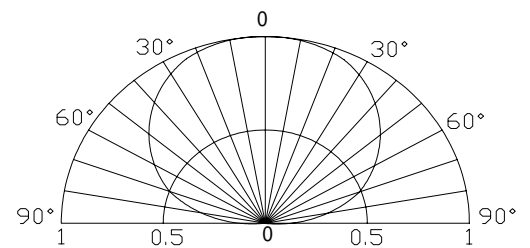
- Read lights (car, bus, aircraft)
- Portable (flashlight, bicycle)
- Bollards / Security / Garden
- Traffic signaling / Beacons
- In door / Out door Commercial lights
- Automotive Ext

■Outline Dimension

■Absolute Maximum Rating

(Ta=25)

Item	Symbol	Value	Unit
DC Forward Current	I_F	200	mA
Pulse Forward Current*	I_{FP}	250	mA
Reverse Voltage	V_R	5	V
Power Dissipation	P_D	800	mW
Operating Temperature	T_{opr}	-30 ~ +85	
Storage Temperature	T_{stg}	-40~ +100	
Lead Soldering Temperature	T_{sol}	260 /5sec	-

*Pulse width Max.10ms Duty ratio max 1/10

■Directivity

■Electrical -Optical Characteristics

(Ta=25)

Item	Symbol	Condition	Min.	Typ.	Max.	Unit
DC Forward Voltage	V_F	$I_F=150mA$	3.0	3.3	4.0	V
DC Reverse Current	I_R	$V_R=5V$	-	-	10	μA
Luminous Flux	ν	$I_F=150mA$	20	30	-	lm
Color Temperature	CCT	$I_F=150mA$	-	6500	-	K
Chromaticity Coordinates*	x	$I_F=150mA$	-	0.31	-	-
	y	$I_F=150mA$	-	0.33	-	-
50% Power Angle	$2\theta_{1/2}$	$I_F=150mA$	-	140	-	deg

Note: Don't drive at rated current more than 5s without heat sink for Xeon H emitter series.

■Forward Operating Current (DC)
