



Document Version: 8

Date: 2004/11/11

Product Functional Specification

**46 inch Color TFT-LCD Module
Model Name: T460HW01 V.3**

() Preliminary Specification

(*) Final Specification

Official UK Representative



Unit A Merlin Centre, Gatehouse Close,
Aylesbury, HP19 8DP, ENGLAND

Tel.: +44 (0)1296-469770 Fax.: +44 (0)1296-469779
sales@displaze.com www.displaze.com

Please verify this is the latest information. E&OE

Note: This Specification is subject to change without notice.



Contents

No	
	Cover
	Contents
	Record of Revisions
1	General Descriptions
2	Absolute Ratings
2-1	TFT-LCD module
2-2	Backlight unit
2-3	Absolute Ratings of environment
3	Electrical Specifications
3-1	Electrical Characteristics
3-2	Interface Connections
3-3	Input Timing Specifications
3-4	Color Input Data Reference
3-5	Power Sequence
4	Block Diagram
4-1	TFT-LCD module
4-2	Backlight unit
5	Optical Specifications
6	Mechanical Characteristics
7	Reliability
8	International Standards
8-1	Safety
8-2	EMC
9	Packing
10	Precautions



Record of Revision

Version	Date	No	Old Description	New Description	Remark
0.1	Sep. 26,'03		First Draft (Preliminary)		
0.2	Dec. 02,'03	3-2	Modify Backlight connector pin Configuration		P9,
		5	Update Mechanical Drawing		P19,P20
0.3	Mar. 08,'04	5	Update Mechanical Drawing		P19,P20
0.4	Apr. 19, '04	6	Update the spec. for shock and vibration		P21
0.5	Apr 28, '04	3-3	Modify the Timing Table		P10
0.6	Aug 30, '04	2		Absolute ratings for backlight unit	add
		3		Specify the characteristic table for TFT LCD and Backlight unit respectively.	modify
		3-3		Input timing waveform	Add
		4	NA	block diagram	add
		5	TBD	Contrast=600:1 Color Chromaticity: R=(0.660,0.326) G=(0.283, 0.580) B=(0.140, 0.073) W=(0.280, 0.290)	add
		5	Luminance variation:5 points	Luminance variation:9 points	Modified
		6	Master inverter on left-side	Master Inverter on right-side	modify
		9	TBD	Define Packing	add
0.7	Oct 27, '04	3-1	TBD	Define lcc & Irush current	add



		3-3	Input timing waveform	Input timing waveform	modify																																																																																
0.8	Nov 11, '04	3-3	<table border="1"> <tr> <th>Signal</th> <th>Item</th> <th>Min.</th> <th>Typ.</th> <th>Max.</th> </tr> <tr> <td rowspan="3">Vertical Section</td> <td>Period</td> <td>1088</td> <td>1130</td> <td>1200</td> </tr> <tr> <td>Active</td> <td>1080</td> <td>1080</td> <td>1080</td> </tr> <tr> <td>Blanking</td> <td>8</td> <td>50</td> <td>120</td> </tr> <tr> <td rowspan="3">Horizontal Section</td> <td>Period</td> <td>1000</td> <td>1100</td> <td>1180</td> </tr> <tr> <td>Active</td> <td>960</td> <td>960</td> <td>960</td> </tr> <tr> <td>Blanking</td> <td>40</td> <td>140</td> <td>220</td> </tr> <tr> <td rowspan="2">Clock</td> <td>Period</td> <td>15.32</td> <td>13.51</td> <td>11.76</td> </tr> <tr> <td>Frequency</td> <td>65.28</td> <td>74</td> <td>85</td> </tr> </table>	Signal	Item	Min.	Typ.	Max.	Vertical Section	Period	1088	1130	1200	Active	1080	1080	1080	Blanking	8	50	120	Horizontal Section	Period	1000	1100	1180	Active	960	960	960	Blanking	40	140	220	Clock	Period	15.32	13.51	11.76	Frequency	65.28	74	85	<table border="1"> <tr> <th>Signal</th> <th>Item</th> <th>Min.</th> <th>Typ.</th> <th>Max.</th> </tr> <tr> <td rowspan="3">Vertical Section</td> <td>Period</td> <td>1098</td> <td>1116</td> <td>1134</td> </tr> <tr> <td>Active</td> <td>1080</td> <td>1080</td> <td>1080</td> </tr> <tr> <td>Blanking</td> <td>18</td> <td>36</td> <td>54</td> </tr> <tr> <td rowspan="3">Horizontal Section</td> <td>Period</td> <td>1000</td> <td>1104</td> <td>1250</td> </tr> <tr> <td>Active</td> <td>960</td> <td>960</td> <td>960</td> </tr> <tr> <td>Blanking</td> <td>40</td> <td>144</td> <td>290</td> </tr> <tr> <td rowspan="2">Clock</td> <td>Period</td> <td>15.15</td> <td>13.51</td> <td>11.76</td> </tr> <tr> <td>Frequency</td> <td>66</td> <td>74</td> <td>85</td> </tr> </table>	Signal	Item	Min.	Typ.	Max.	Vertical Section	Period	1098	1116	1134	Active	1080	1080	1080	Blanking	18	36	54	Horizontal Section	Period	1000	1104	1250	Active	960	960	960	Blanking	40	144	290	Clock	Period	15.15	13.51	11.76	Frequency	66	74	85	modify
Signal	Item	Min.	Typ.	Max.																																																																																	
Vertical Section	Period	1088	1130	1200																																																																																	
	Active	1080	1080	1080																																																																																	
	Blanking	8	50	120																																																																																	
Horizontal Section	Period	1000	1100	1180																																																																																	
	Active	960	960	960																																																																																	
	Blanking	40	140	220																																																																																	
Clock	Period	15.32	13.51	11.76																																																																																	
	Frequency	65.28	74	85																																																																																	
Signal	Item	Min.	Typ.	Max.																																																																																	
Vertical Section	Period	1098	1116	1134																																																																																	
	Active	1080	1080	1080																																																																																	
	Blanking	18	36	54																																																																																	
Horizontal Section	Period	1000	1104	1250																																																																																	
	Active	960	960	960																																																																																	
	Blanking	40	144	290																																																																																	
Clock	Period	15.15	13.51	11.76																																																																																	
	Frequency	66	74	85																																																																																	
	Nov 11, '04	3-5	<table border="1"> <tr> <th rowspan="2">Parameter</th> <th colspan="3">Values</th> </tr> <tr> <th>Min.</th> <th>Typ.</th> <th>Max.</th> </tr> <tr> <td>t1</td> <td>470</td> <td>-</td> <td>1000</td> </tr> <tr> <td>t2</td> <td>30</td> <td>-</td> <td>-</td> </tr> <tr> <td>t3</td> <td>200</td> <td>-</td> <td>-</td> </tr> <tr> <td>t4</td> <td>200</td> <td>-</td> <td>-</td> </tr> <tr> <td>t5</td> <td>30</td> <td>-</td> <td>-</td> </tr> <tr> <td>t6</td> <td>-</td> <td>-</td> <td>30</td> </tr> <tr> <td>t7</td> <td>1</td> <td>-</td> <td>-</td> </tr> </table>	Parameter	Values			Min.	Typ.	Max.	t1	470	-	1000	t2	30	-	-	t3	200	-	-	t4	200	-	-	t5	30	-	-	t6	-	-	30	t7	1	-	-	<table border="1"> <tr> <th rowspan="2">Parameter</th> <th colspan="3">Values</th> </tr> <tr> <th>Min.</th> <th>Typ.</th> <th>Max.</th> </tr> <tr> <td>t1</td> <td>470</td> <td>-</td> <td>1000</td> </tr> <tr> <td>t2</td> <td>20</td> <td>-</td> <td>50</td> </tr> <tr> <td>t3</td> <td>500</td> <td>-</td> <td>-</td> </tr> <tr> <td>t4</td> <td>500</td> <td>-</td> <td>-</td> </tr> <tr> <td>t5</td> <td>20</td> <td>-</td> <td>50</td> </tr> <tr> <td>t6</td> <td>0.47</td> <td>-</td> <td>30</td> </tr> <tr> <td>t7</td> <td>1</td> <td>-</td> <td>-</td> </tr> </table>	Parameter	Values			Min.	Typ.	Max.	t1	470	-	1000	t2	20	-	50	t3	500	-	-	t4	500	-	-	t5	20	-	50	t6	0.47	-	30	t7	1	-	-	modify										
Parameter	Values																																																																																				
	Min.	Typ.	Max.																																																																																		
t1	470	-	1000																																																																																		
t2	30	-	-																																																																																		
t3	200	-	-																																																																																		
t4	200	-	-																																																																																		
t5	30	-	-																																																																																		
t6	-	-	30																																																																																		
t7	1	-	-																																																																																		
Parameter	Values																																																																																				
	Min.	Typ.	Max.																																																																																		
t1	470	-	1000																																																																																		
t2	20	-	50																																																																																		
t3	500	-	-																																																																																		
t4	500	-	-																																																																																		
t5	20	-	50																																																																																		
t6	0.47	-	30																																																																																		
t7	1	-	-																																																																																		



1. General Description

This specification applies to the 46.0 inch Color TFT-LCD Module T460HW01. This LCD module has a TFT active matrix type liquid crystal panel 1920x1080 pixels, and diagonal size of 46.0 inch. This module supports 1920x1080 HDTV mode (Non-interlace).

Each pixel is divided into Red, Green and Blue sub-pixels or dots which are arranged in vertical stripes. Gray scale or the brightness of the sub-pixel color is determined with a 8-bit gray scale signal for each dot.

The T460HW01 has been designed to apply the 8-bit 2 channel LVDS interface method. It is intended to support displays where high brightness, wide viewing angle, high color saturation, and high color depth are very important.

3. General Information

Items	Specification	Unit	Note
Active Screen Size	46	Inches	
Display Area	1019.52 (H) x 573.48(V)	mm	
Outline Dimension	1109.34(H) x 654.56(V) x 47.68(D)	mm	With inverter
Driver Element	a-Si TFT active matrix		
Display Colors	16.7M	Colors	
Number of Pixels	1920 x 1080	Pixel	
Pixel Arrangement	RGB vertical stripe		
Pixel Pitch	0.531(H) x 0.531(W)	mm	
Display Mode	Normally Black		
Surface Treatment	Anti-Glare		



2. Absolute Ratings

The following are maximum values which, if exceeded, may cause faulty operation or damage to the unit.

2-1 TFT-LCD module

Parameter	Symbol	Min.	Max.	Unit	Note
Power Input Voltage	V _{CC}	10.8	13.2	V	At 25±5°C

2-2 Backlight unit

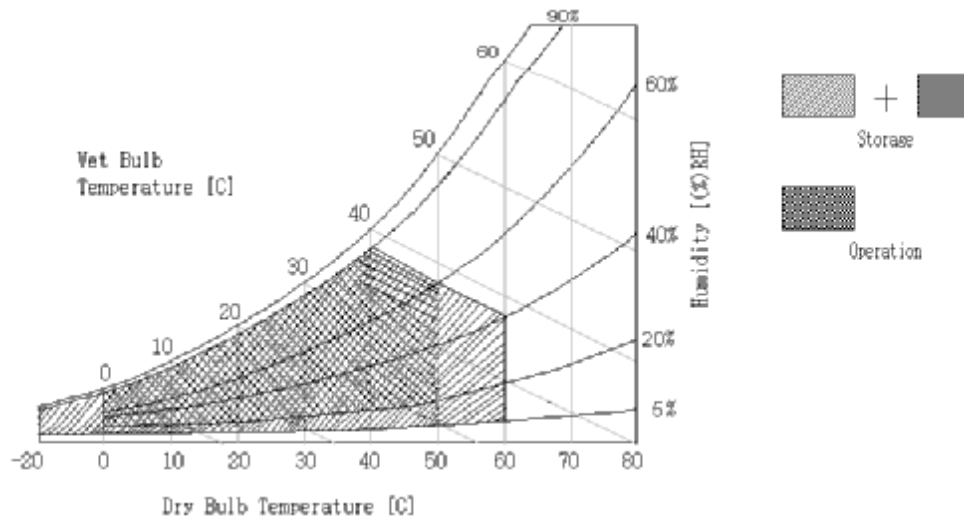
Parameter	Symbol	Min.	Max.	Unit	Note
Power Input Voltage	V _{DDb}	22.8	25.2	V	At 25±5°C

2-3 Absolute Ratings of environment

Parameter	Symbol	Min.	Max.	Unit	Note
Operating Temperature	T _{OP}	00	50	°C	1
Storage Temperature	H _{ST}	-20	60	°C	1
Operating Ambient Humidity	H _{OP}	10	90	%RH	1
Storage Humidity	H _{ST}	10	90	%RH	1

Note:

- Temperature and relative humidity range are shown in the figure below. Wet bulb temperature should be 39°C





3. Electrical Specification

The T460HW01 requires two power inputs. One is employed to power the LCD electronics and to drive the TFT array and liquid crystal. The second input is for the back light unit, and is typically generated by an inverter

3-1 Electrical Characteristics

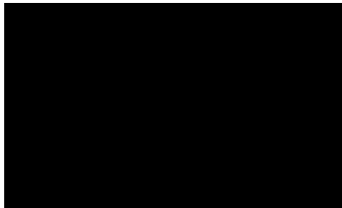
I TFT LCD Module

Parameter	Symbol	Values			Unit	Notes
		Min	Typ	Max		
Power Supply Input Voltage	Vcc	10.8	12	13.2	V	1
Power Supply Input Current	Black	-	0.76	-	A	2
	White	-	1.57	-		
	N-pattern	-	1.34	-		
Inrush Current	I _{RUSH}	-	-	6	A	3

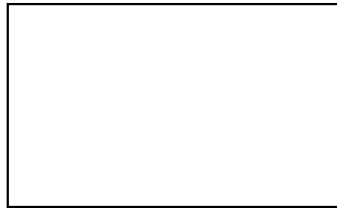
Note:

1. The specified current and power consumption are under the Vcc=12.0V, 25°C, fv= 60Hz, fCLK=65Mhz condition whereas mosaic pattern (8x6) is displayed and fv is the frame frequency.
2. Power dissipation check pattern (LCD module only)

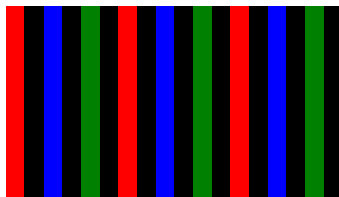
Black:



White:

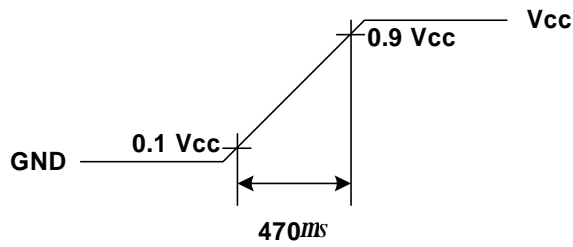
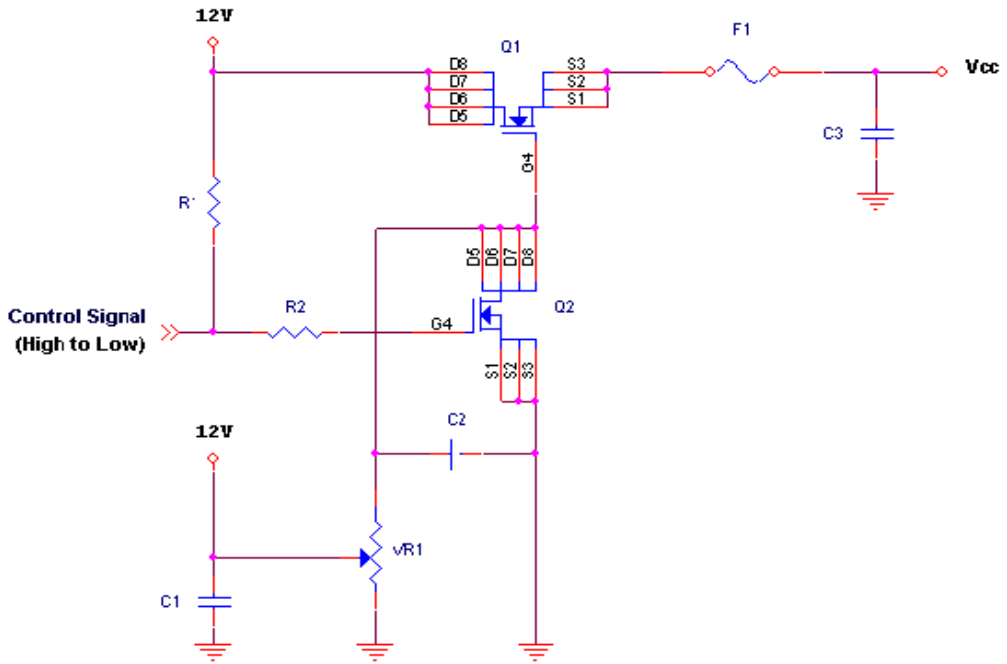


N-pattern:





3. Measurement Conditions (Rising time = 470 ms)





I Backlight unit

No	ITEM	SYMBOL	TEST CONDITION	MIN	TYP	MAX	UNIT	MEASURING CIRCUIT	
1	Input voltage	VDDB		22.8	24	25.2	V		
2	Input current	IDDB	VDDB=24V,MAX	—	10.5	—	A		
3	Control voltage	ON	BLON	VDDB=24V	2	—	5	V	or OPEN
		OFF	BLON	VDDB=24V	0	—	0.8	V	
4	Control voltage	MAX	VDIM	VDDB=24V	—	0	—	V	
		MIN	VDIM	VDDB=24V	—	3	—	V	
5	Power Consumption			-	250	280	W	1	
6	Life Time			-	50,000	-	Hours	2	

Note:

1. The lamp power consumption shown above does include loss of external inverter at 25°C. The used lamp current is the lamp typical current.
2. The life is determined as the time at which luminance of the lamp is 50% compared to that of initial value at the typical lamp current on condition of continuous operating at 25±2°C
3. The design of the inverter must have specifications for the lamp in LCD Assembly. The performance of the Lamp in LCM, for example lifetime or brightness, is extremely influenced by the characteristics of the DC-AC Inverter. So all the parameters of an inverter should be carefully designed so as not to produce too much leakage current from high-voltage output of the inverter. When you design or order the inverter, please make sure unwanted lighting caused by the mismatch of the lamp and the inverter (no lighting, flicker, etc) never occurs. When you confirm it, the LCD Assembly should be operated in the same condition as installed in your instrument.
4. Do not attach a conducting tape to lamp connecting wire. If the lamp wire attach to conducting tape, TFT-LCD Module have a low luminance and the inverter has abnormal action because leakage current occurs between lamp wire and conducting tape.
5. The relative humidity must not exceed 80% non-condensing at temperatures of 40°C or less. At temperatures greater than 40°C, the wet bulb temperature must not exceed 39°C. When operate at low temperatures, the brightness of CCFL will drop and the lifetime of CCFL will be reduced.



3-2 Interface Connections

I TFTLCD Module:

- LCD Connector (CN1): **JAE FI-X30S-HF** or equivalent

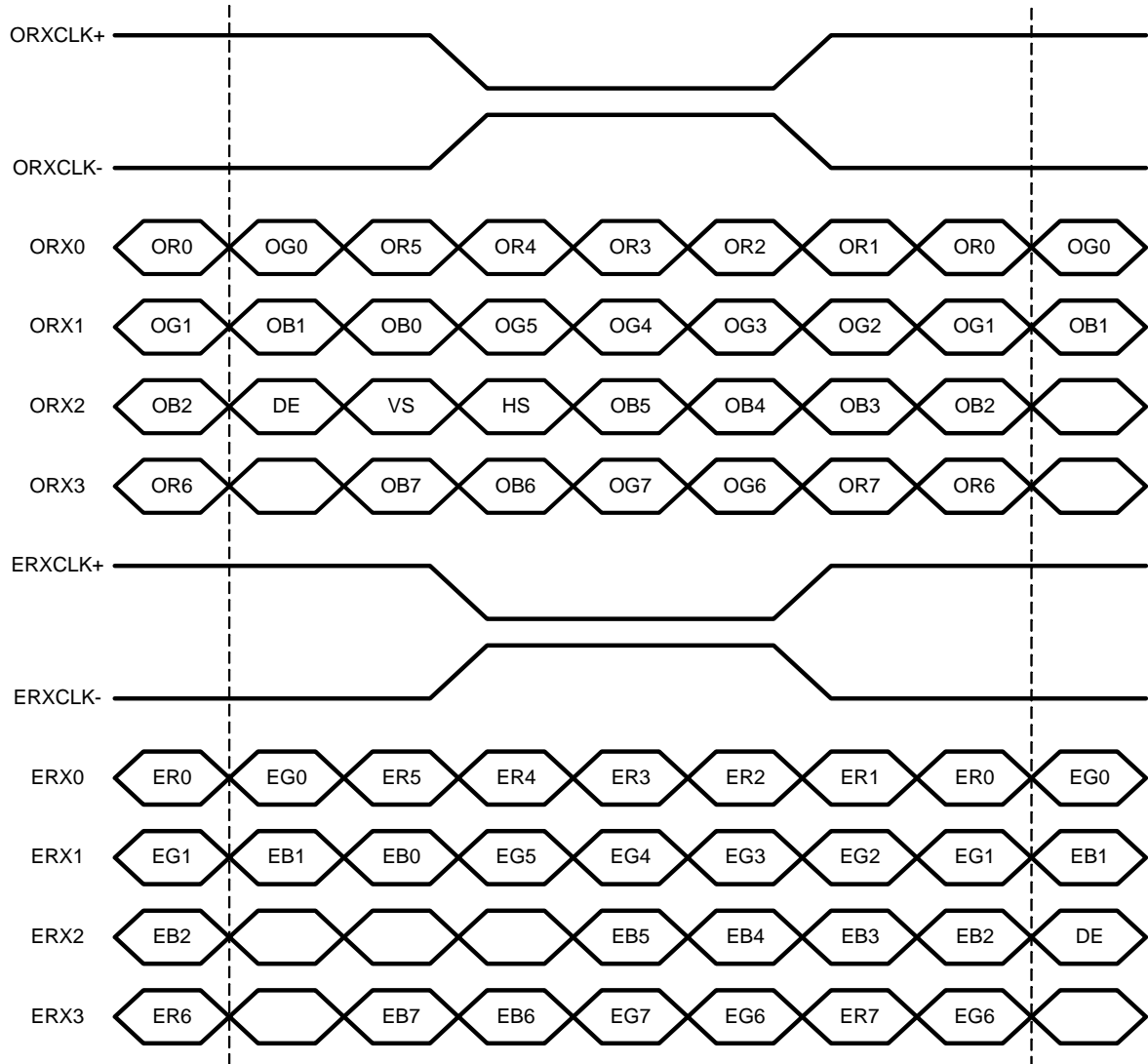
Pin No.	Symbol	Function	Polarity
0	GND	Ground	
1	RxEIN0-	LVDS Even Channel 0	Negative
2	RxEIN0+	LVDS Even Channel 0	Positive
3	RxEIN1-	LVDS Even Channel 1	Negative
4	RxEIN1+	LVDS Even Channel 1	Positive
5	RxEIN2-	LVDS Even Channel 2	Negative
6	RxEIN2+	LVDS Even Channel 2	Positive
7	GND	Ground	
8	RxECLKIN-	LVDS Even Channel CLK	Negative
9	RxECLKIN+	LVDS Even Channel CLK	Positive
10	RxEIN3-	LVDS Even Channel 3	Negative
11	RxEIN3+	LVDS Even Channel 3	Positive
12	RxOIN0-	LVDS Odd Channel 0	Negative
13	RxOIN0+	LVDS Odd Channel 0	Positive
14	GND	Ground	
15	RxOIN1-	LVDS Odd Channel 1	Negative
16	RxOIN1+	LVDS Odd Channel 1	Positive
17	GND	Ground	
18	RxOIN2-	LVDS Odd Channel 2	Negative
19	RxOIN2+	LVDS Odd Channel 2	Positive
20	RxOCLKIN-	LVDS Odd Channel CLK	Negative
21	RxOCLKIN+	LVDS Odd Channel CLK	Positive
22	RxOIN3-	LVDS Odd Channel 3	Negative
23	RxOIN3+	LVDS Odd Channel 3	Positive
24	GND	Ground	
25	NC	NC	
26	NC	NC	
27	NC	NC	
28	POWER	+12V	
29	POWER	+12V	
30	POWER	+12V	
31	GND	Ground	



Note:

1. All GND (ground) pins should be connected together and also be connected to the LCD's metal frame.
2. All Vcc (power input) pins should be connected together.

I LVDS Order





I Backlight Unit

CN1: S10B-PH-SM3-TB(JST)

Pin №	Signal name	Feature
1	VDDB	+24V
2	VDDB	+24V
3	VDDB	+24V
4	VDDB	+24V
5	VDDB	+24V
6	GND B	GND
7	GND B	GND
8	GND B	GND
9	GND B	GND
10	GND B	GND

CN2: S12B-PH-SM3-TB(JST)

Pin №	Signal name	Feature
1	VDDB	+24V
2	VDDB	+24V
3	VDDB	+24V
4	VDDB	+24V
5	VDDB	+24V
6	GND B	GND
7	GND B	GND
8	GND B	GND
9	GND B	GND
10	GND B	GND
11	VDIM (※1)	Bright control
12	BLON (※2)	ON/OFF Signal

※1: Connection of brightness control terminal

Bright control by the voltage

3V : Min. brightness

0V : Max. brightness

※2: BLON Logic

H (5V): Back Light ON

L (0V): Back Light OFF

OPEN: Back Light OFF



3-3 Input Timing Specifications

This is the signal timing required at the input of the User connector. All of the interface signal timing should be satisfied with the following specifications for it's proper operation.

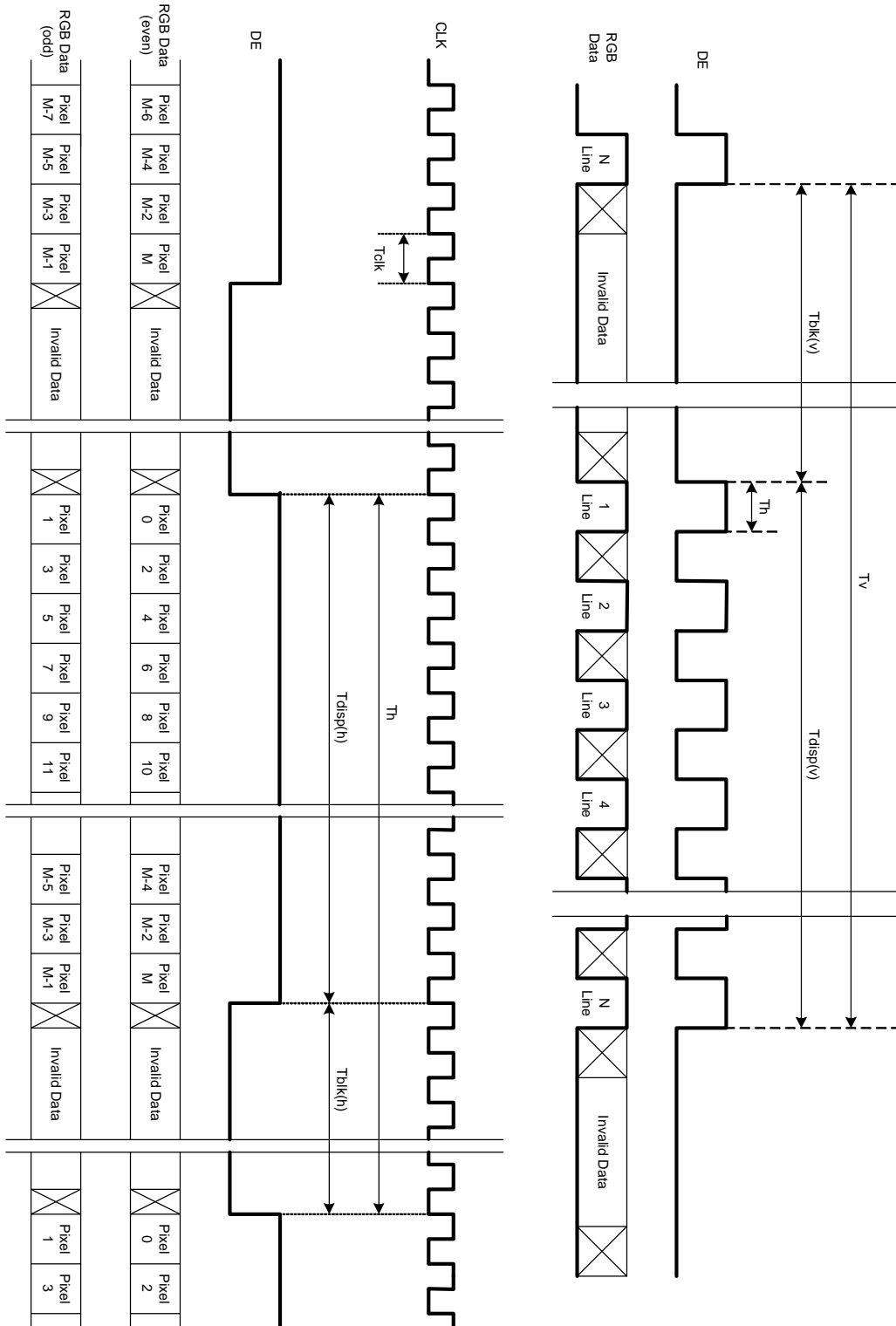
I Timing Table

DE mode only (Frame Rate = 60 Hz)

Signal	Item	Symbol	Min.	Typ.	Max.	Unit
Vertical Section	Period	Tv	1098	1116	1134	Th
	Active	Tdisp(V)	1080	1080	1080	Th
	Blanking	Tblk(V)	18	36	54	Th
Horizontal Section	Period	Th	1000	1104	1250	Tclk
	Active	Tdisp(h)	960	960	960	Tclk
	Blanking	Tblk(h)	40	144	290	Tclk
Clock	Period	Tclk	15.15	13.51	11.76	ns
	Frequency	Freq	66	74	85	MHz



I Signal Timing Waveforms





3-4 Color Input Data Reference

The brightness of each primary color (red, green and blue) is based on the 8 bit gray scale data input for the color; the higher the binary input, the brighter the color. The table below provides a reference for color versus data input.

COLOR DATA REFERENCE

Color		Input Color Data																							
		RED								GREEN								BLUE							
		MSB				LSB				MSB				LSB				MSB				LSB			
		R7	R6	R5	R4	R3	R2	R1	R0	G7	G6	G5	G4	G3	G2	G1	G0	B7	B6	B5	B4	B3	B2	B1	B0
Basic Color	Black	0	0	0	0	0	0	0	0	0	0	0	0	0	0	0	0	0	0	0	0	0	0	0	
	Red(255)	1	1	1	1	1	1	1	1	0	0	0	0	0	0	0	0	0	0	0	0	0	0	0	
	Green(255)	0	0	0	0	0	0	0	0	1	1	1	1	1	1	1	1	1	1	1	1	1	1	1	
	Blue(255)	0	0	0	0	0	0	0	0	0	0	0	0	0	0	0	0	1	1	1	1	1	1	1	
	Cyan	0	0	0	0	0	0	0	0	1	1	1	1	1	1	1	1	1	1	1	1	1	1	1	
	Magenta	1	1	1	1	1	1	1	1	0	0	0	0	0	0	0	0	1	1	1	1	1	1	1	
	Yellow	1	1	1	1	1	1	1	1	1	1	1	1	1	1	1	1	0	0	0	0	0	0	0	
	White	1	1	1	1	1	1	1	1	1	1	1	1	1	1	1	1	1	1	1	1	1	1	1	
RED	RED(000)	0	0	0	0	0	0	0	0	0	0	0	0	0	0	0	0	0	0	0	0	0	0		
	RED(001)	0	0	0	0	0	0	0	0	0	0	0	0	0	0	0	0	0	0	0	0	0	0		

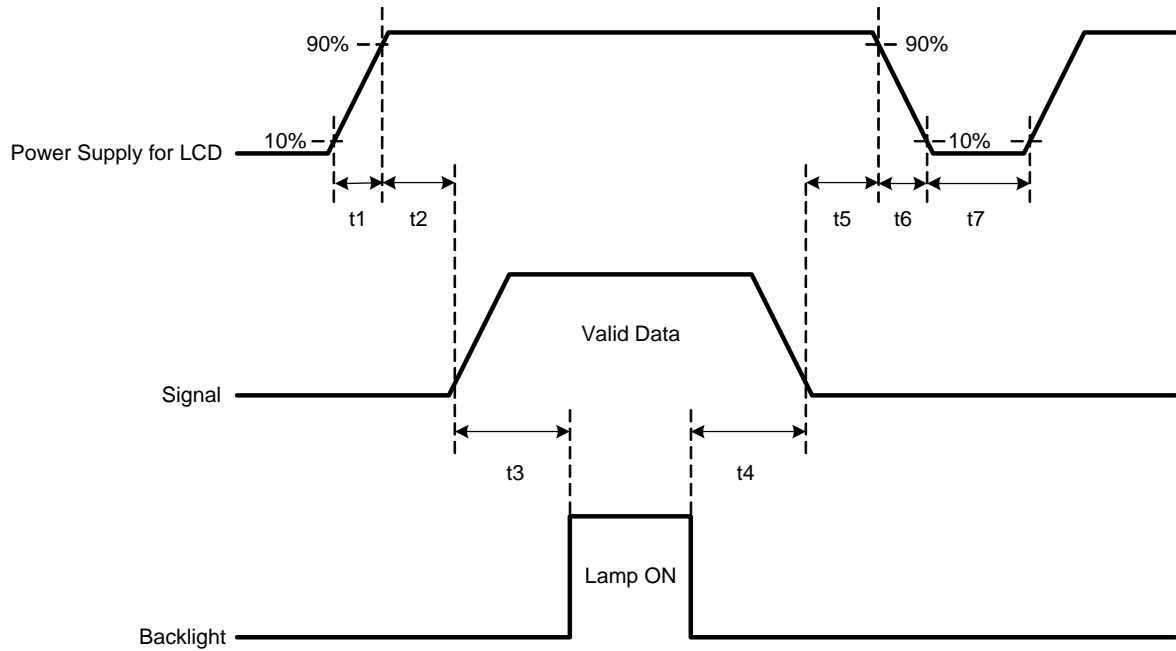
	RED(254)	1	1	1	1	1	1	1	0	0	0	0	0	0	0	0	0	0	0	0	0	0	0		
	RED(255)	1	1	1	1	1	1	1	1	0	0	0	0	0	0	0	0	0	0	0	0	0	0		
GREEN	GREEN(000)	0	0	0	0	0	0	0	0	0	0	0	0	0	0	0	0	0	0	0	0	0	0		
	GREEN(001)	0	0	0	0	0	0	0	0	0	0	0	0	0	0	1	0	0	0	0	0	0	0		

	GREEN(254)	0	0	0	0	0	0	0	1	1	1	1	1	1	1	0	0	0	0	0	0	0	0		
	GREEN(255)	0	0	0	0	0	0	0	1	1	1	1	1	1	1	1	0	0	0	0	0	0	0		
BLUE	BLUE(000)	0	0	0	0	0	0	0	0	0	0	0	0	0	0	0	0	0	0	0	0	0	0		
	BLUE(001)	0	0	0	0	0	0	0	0	0	0	0	0	0	0	0	0	0	0	0	0	0	1		

	BLUE(254)	0	0	0	0	0	0	0	0	0	0	0	0	0	0	0	1	1	1	1	1	1	1		
	BLUE(255)	0	0	0	0	0	0	0	0	0	0	0	0	0	0	0	1	1	1	1	1	1	1		



3-5 Power Sequence



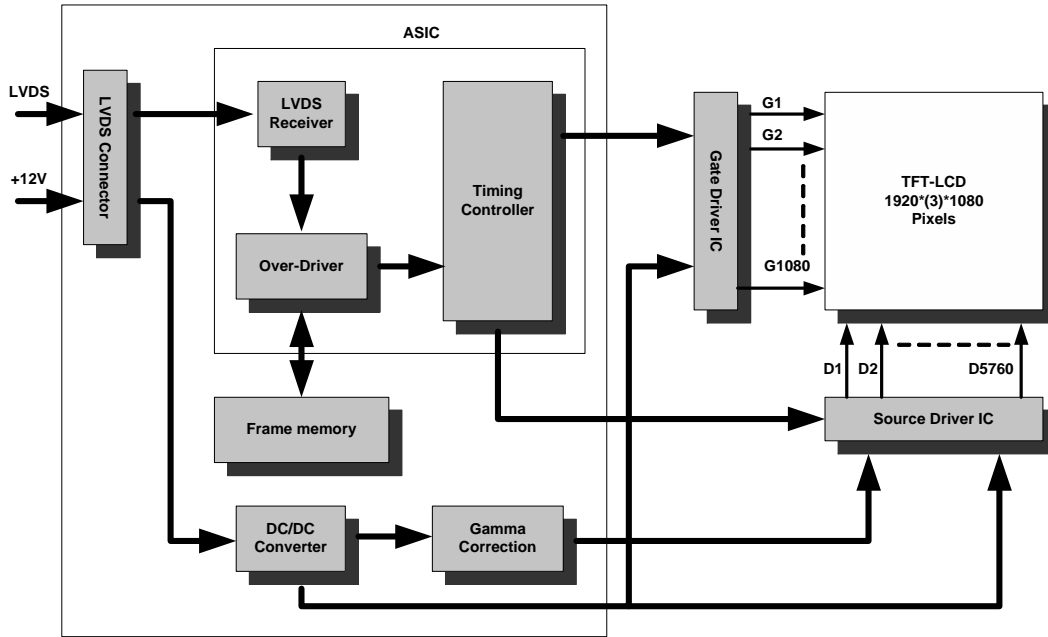
Parameter	Values			Units
	Min.	Typ.	Max.	
t1	470	-	1000	us
t2	20	-	50	ms
t3	500	-	-	ms
t4	500	-	-	ms
t5	20	-	50	ms
t6	0.47	-	30	ms
t7	1	-	-	s

Note: User should follow the power on/off sequence and the rising/falling time to avoid miss operation of the panel.

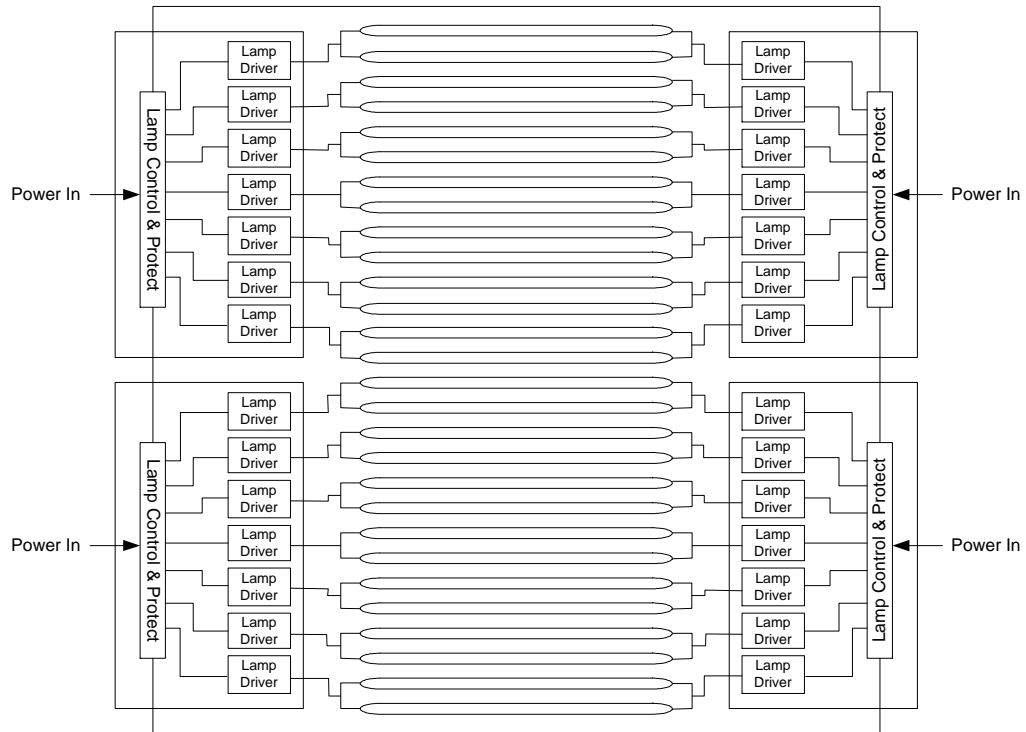


4. Block Diagram

4-1 TFT-LCD



4-2 Backlight unit





5. Optical Specification

Optical characteristics are determined after the unit has been 'ON' and stable for approximately 30 minutes in a dark environment at 25°C. The values specified are at an approximate distance 50cm from the LCD surface at a viewing angle of Φ and θ equal to 0°.

Figure.1 presents additional information concerning the measurement equipment and method.

Parameter		Symbol	Values			Units	Notes
			Min.	Typ.	Max.		
Contrast Ratio		CR		600			1
Surface Luminance, white		LWH		600		cd/m ²	2
Luminance Variation		$\delta_{\text{WHITE (9 p)}}$			1.33		3
Response Time		Tg		8		ms	Gray to Gray, average,
		Tr		15			
		Td		5			
Color Chromaticity	RED	R _x	Typ.-0.03	0.660	Typ.+0.03		
		R _y		0.326			
	GREEN	G _x		0.283			
		G _y		0.580			
	BLUE	B _x		0.140			
		B _y		0.073			
	WHITE	W _x		0.280			
		W _y		0.290			
Viewing Angle	x axis, right($\varphi=0^\circ$)	θ_r		85		Degree	5
	x axis, left($\varphi=180^\circ$)	θ_l		85			
	y axis, up($\varphi=90^\circ$)	θ_u		85			
	y axis, down ($\varphi=0^\circ$)	θ_d		85			



Note:

1. Contrast Ratio (CR) is defined mathematically as:

$$\text{Contrast Ratio} = \frac{\text{Surface Luminance with all white pixels}}{\text{Surface Luminance with all black pixels}}$$

2. Surface luminance is luminance value at point 1 across the LCD surface 50cm from the surface with all pixels displaying white. For more information see FIG 2. When $I_{BL} = 6.5\text{mA}$, $L_{WH} = 600\text{cd/m}^2$ (typ.) $L_{WH} = L_{on1}$, where L_{on1} is the luminance with all pixels displaying white at center location.
3. The variation in surface luminance, δ_{WHITE} is defined (center of Screen) as:
$$\delta_{WHITE(9P)} = \text{Maximum}(L_{on1}, L_{on2}, \dots, L_{on9}) / \text{Minimum}(L_{on1}, L_{on2}, \dots, L_{on9})$$

For more information see FIG 3
4. Response time is the time required for the display to transition from white to black (Rise Time, T_r) and from black to white (Decay Time, T_d). For additional information see FIG 4.
5. Viewing angle is the angle at which the contrast ratio is greater than 5. The angles are determined for the horizontal or x axis and the vertical or y axis with respect to the z axis which is normal to the LCD surface. For more information see FIG 5.



Figure .1

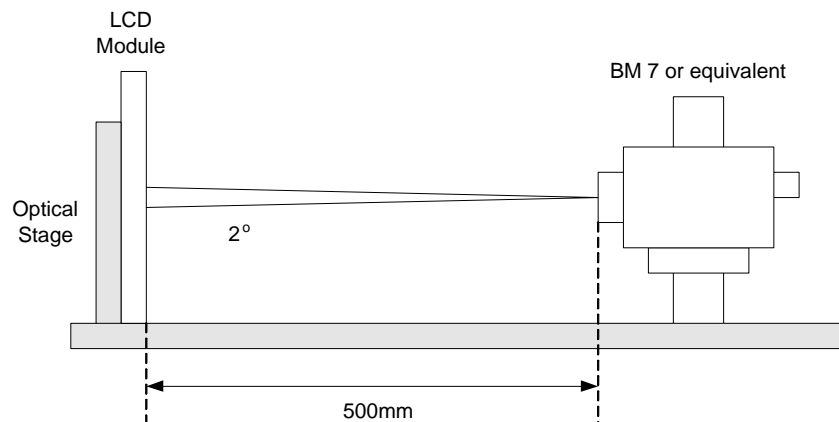


FIG. 2 Luminance

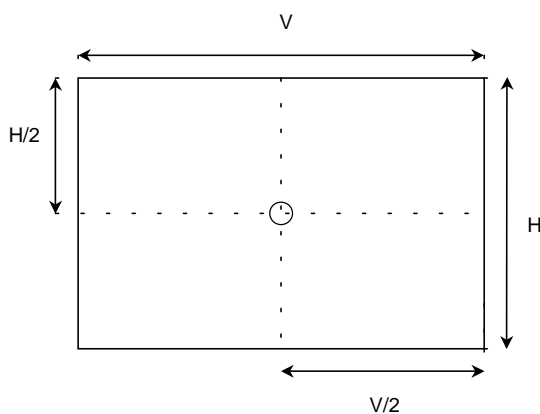


FIG. 3 Luminance variation

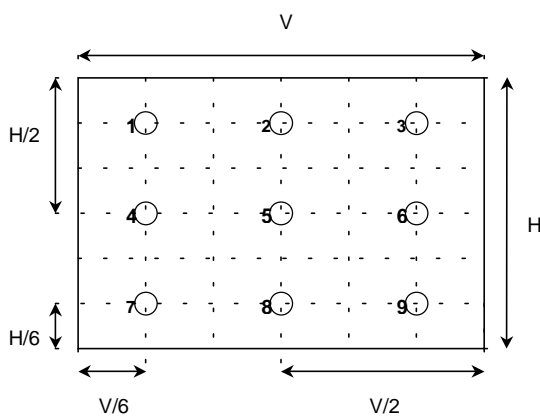




FIG.4 Response Time

The response time is defined as the following figure and shall be measured by switching the input signal for "black" and "white".

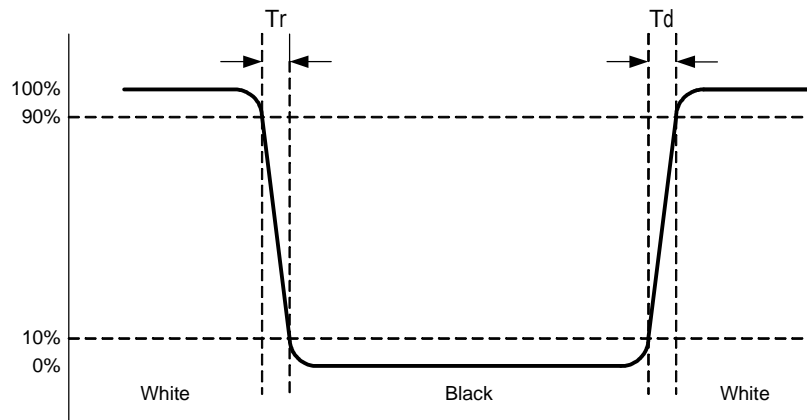
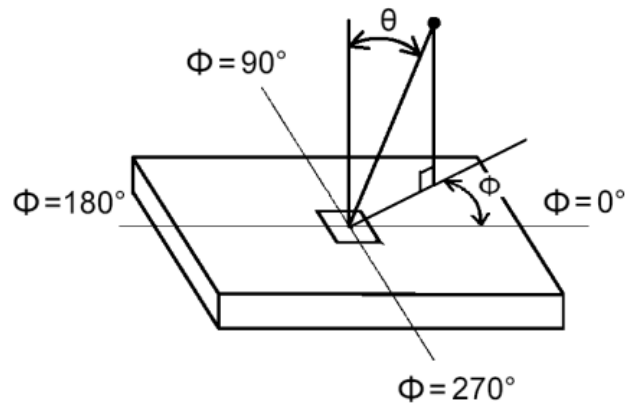


FIG.5 Viewing angle





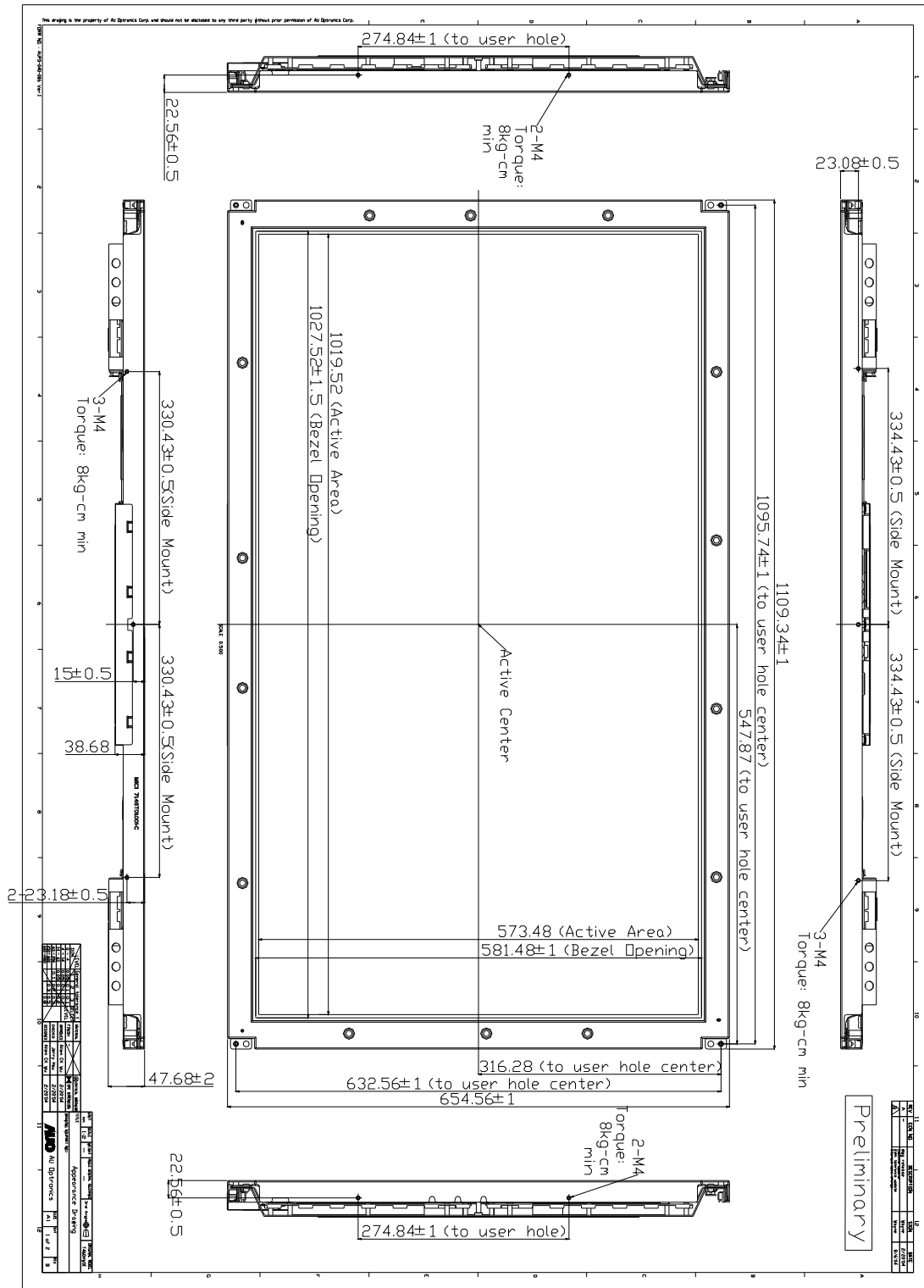
6. Mechanical Characteristics

The contents provide general mechanical characteristics for the model T460HW01. In addition the figures in the next page are detailed mechanical drawing of the LCD.

Outline Dimension	Horizontal	1109.34mm
	Vertical	654.56mm
	Depth	47.68mm (with inverter)
Bezel Area	Horizontal	1025.52mm
	Vertical	579.48mm
Active Display Area	Horizontal	1019.52mm
	Vertical	573.48mm
Weight	15000g (Typ.)	
Surface Treatment	Anti-Glare	

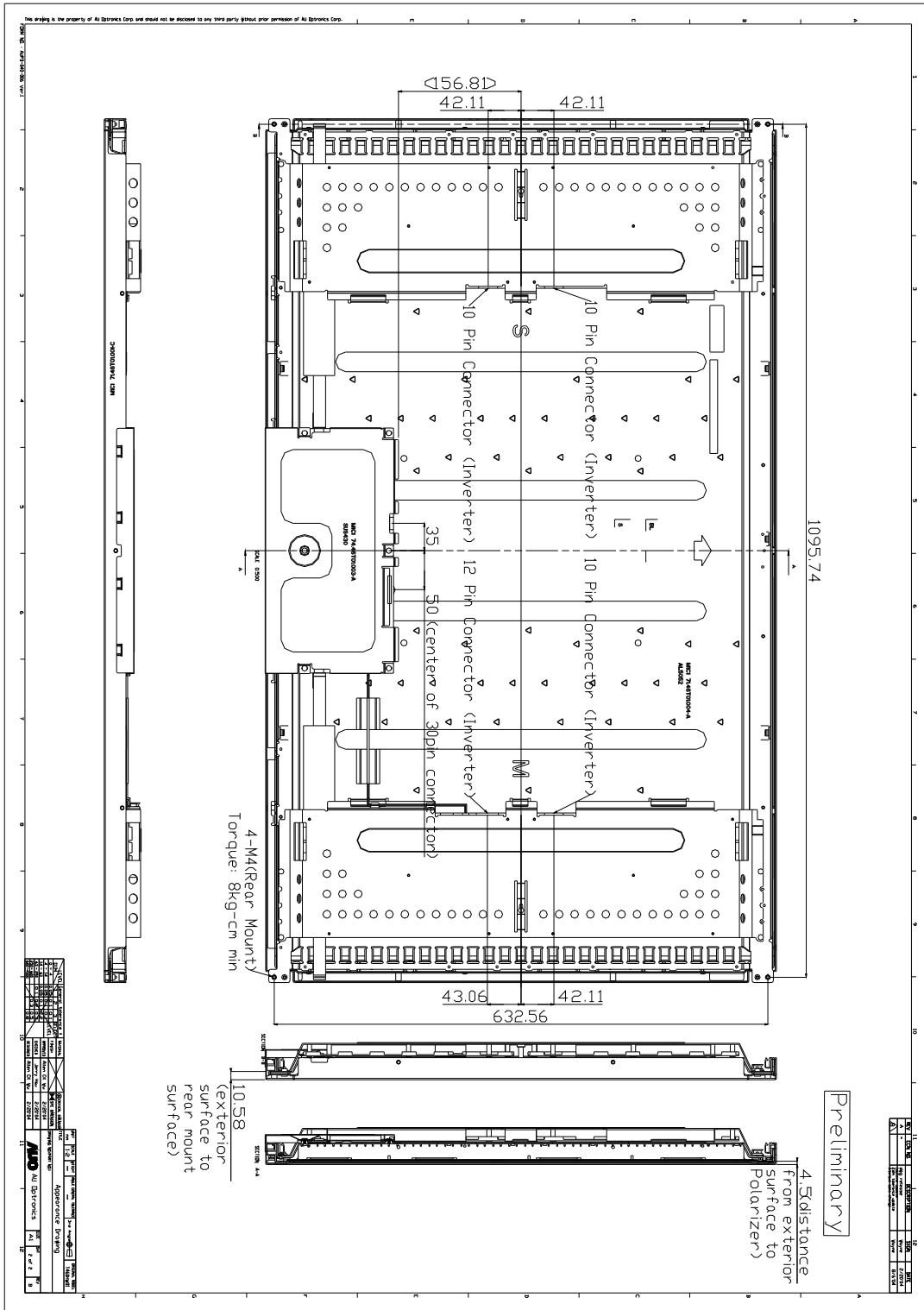


I Front View





I Rear View





7. Reliability

Environment test condition

No	Test Item	Condition
1	High temperature storage test	Ta=60°C 240h
2	Low temperature storage test	Ta= -20°C 240h
3	High temperature operation test	Ta=50°C 50%RH 240h
4	Low temperature operation test	Ta=0°C 240h
5	Vibration test (non-operating)	Wave form: random Vibration level: 1.5G RMS Bandwidth: 10-300Hz, Sweep time: 10min Duration: X, Y, Z 30min One time each direction
6	Shock test (non-operating)	Shock level: 50G Waveform: half sine wave, 11ms Direction: ±X, ±Y, ±Z One time each direction
7	Vibration test (with carton)	Random Vibration:10~200Hz,1.5G,30minutes in each X,Y,Z direction

There should be no change which might affect the practical display function when the display quality test is conducted under normal operating condition.



8. International Standard

8-1. Safety

1. UL 60950, Third Edition, Underwriters Laboratories, Inc. Dec. 11, 2000.
Standard for Safety of Information Technology Equipment, including Electrical Business Equipment.
2. CAN/CSA C22.2 No. 60950, Third Edition, Canadian Standards Association, Dec. 1, 2000
Standard for Safety of Information Technology Equipment Including Electrical Business Equipment.
3. EN60950: 2000, Third Edition
4. IEC 60950:1999, Third Edition
European Committee for Electrotechnical Standardization (CENELEC)
EUROPEAN STANDARD for Safety of Information Technology Equipment Including Electrical Business Equipment.

8-2. EMC

1. ANSI C63.4 "Methods of Measurement of Radio-Noise Emissions from Low-Voltage Electrical and Electrical Equipment in the Range of 9kHz to 40GHz." American National standards Institute (ANSI), 1992
2. C.I.S.P.R "Limits and Methods of Measurement of Radio Interface Characteristics of Information Technology Equipment." International Special committee on Radio Interference.
3. EN 55022 "Limits and Methods of Measurement of Radio Interface Characteristics of Information Technology Equipment." European Committee for Electrotechnical Standardization. (CENELEC), 1998

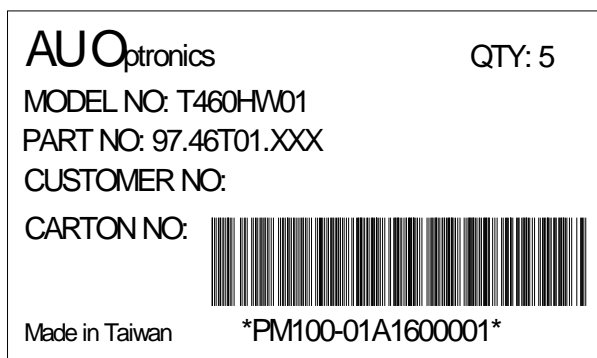


9. Packing

I Label Sample

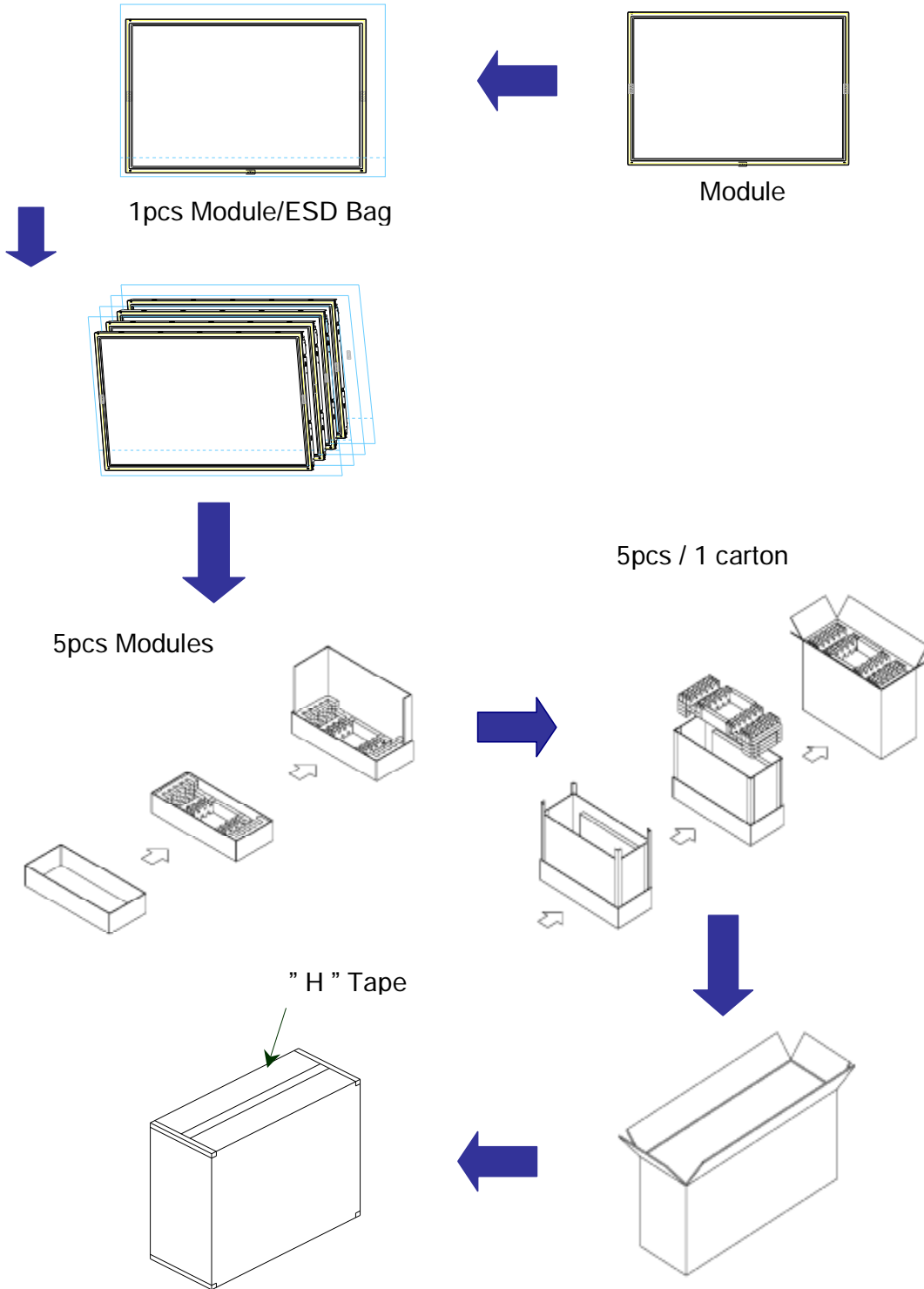


I Carton Label





I Carton Size



10. PRECAUTIONS

Please pay attention to the followings when you use this TFT LCD module.

10-1 MOUNTING PRECAUTIONS

1. You must mount a module using holes arranged in four corners or four sides.
2. You should consider the mounting structure so that uneven force (ex. Twisted stress) is not applied to module. And the case on which a module is mounted should have sufficient strength so that external force is not transmitted directly to the module.
3. Please attach the surface transparent protective plate to the surface in order to protect the polarizer. Transparent protective plate should have sufficient strength in order to the resist external force.
4. You should adopt radiation structure to satisfy the temperature specification.
5. Acetic acid type and chlorine type materials for the cover case are not desirable because the former generates corrosive gas of attacking the polarizer at high temperature and the latter causes circuit break by electro-chemical reaction.
6. Do not touch, push or rub the exposed polarizers with glass, tweezers or anything harder than HB pencil lead. And please do not rub with dust clothes with chemical treatment. Do not touch the surface of polarizer for bare hand or greasy cloth. (Some cosmetics are detrimental to the polarizer.)
7. When the surface becomes dusty, please wipe gently with absorbent cotton or other soft materials like chamois soaks with petroleum benzene. Normal-hexane is recommended for cleaning the adhesives used to attach front/ rear polarizers. Do not use acetone, toluene and alcohol because they cause chemical damage to the polarizer.
8. Wipe off saliva or water drops as soon as possible. Their long time contact with polarizer causes deformations and color fading.
9. Do not open the case because inside circuits do not have sufficient strength.

10-2 OPERATING PRECAUTIONS

1. The spike noise causes the mis-operation of circuits. It should be lower than following voltage: $V=\pm 200\text{mV}$ (Over and under shoot voltage)
2. Response time depends on the temperature. (In lower temperature, it becomes longer..)
3. Brightness depends on the temperature. (In lower temperature, it becomes lower.) And in lower temperature, response time (required time that brightness is stable after turned on) becomes longer.
4. Be careful for condensation at sudden temperature change. Condensation makes damage to polarizer or electrical contacted parts. And after fading condensation, smear

or spot will occur.

5. When fixed patterns are displayed for a long time, remnant image is likely to occur.
6. Module has high frequency circuits. Sufficient suppression to the electromagnetic interference shall be done by system manufacturers. Grounding and shielding methods may be important to minimize the interface.

10-3 ELECTROSTATIC DISCHARGE CONTROL

Since a module is composed of electronic circuits, it is not strong to electrostatic discharge. Make certain that treatment persons are connected to ground through wrist band etc. And don't touch interface pin directly.

10-4 PRECAUTIONS FOR STRONG LIGHT EXPOSURE

Strong light exposure causes degradation of polarizer and color filter.

10-5 STORAGE

When storing modules as spares for a long time, the following precautions are necessary.

1. Store them in a dark place. Do not expose the module to sunlight or fluorescent light. Keep the temperature between 5°C and 35°C at normal humidity.
2. The polarizer surface should not come in contact with any other object. It is recommended that they be stored in the container in which they were shipped.
- 3.

10-6 HANDLING PRECAUTIONS FOR PROTECTION FILM

1. The protection film is attached to the bezel with a small masking tape. When the protection film is peeled off, static electricity is generated between the film and polarizer. This should be peeled off slowly and carefully by people who are electrically grounded and with well ion-blown equipment or in such a condition, etc.
2. When the module with protection film attached is stored for a long time, sometimes there remains a very small amount of glue still on the Bezel after the protection film is peeled off.
3. You can remove the glue easily. When the glue remains on the Bezel or its vestige is recognized, please wipe them off with absorbent cotton waste or other soft material like chamois soaked with normal-hexane.