

PLEASE CHECK WWW.MOLEX.COM FOR LATEST PART INFORMATION

Part Number: [0986581222](#)
Status: **Active**
Overview: [mox crimp terminals](#)
Description: MOX Crimp Terminal, Female, 0.635mm (.025"), 18-22 AWG (0.75mm²), Reel, Selective Gold

Documents:

[Packaging Specification \(PDF\)](#) [RoHS Certificate of Compliance \(PDF\)](#)
[Drawing \(PDF\)](#)

General

Product Family	Crimp Terminals
Series	98658
Comments	Terminal has Stainless Steel Sleeve
Crimp Quality Equipment	Yes
Overview	mox crimp terminals
Product Name	MOX

Physical

Durability (mating cycles max)	20
Gender	Female
Material - Metal	Copper-Nickel-Silicon, Stainless Steel
Material - Plating Mating	Gold
Material - Plating Termination	Tin
Packaging Type	Reel
Plating min: Mating (µin)	16.00
Plating min: Mating (µm)	0.40
Plating min: Termination (µin)	40.00
Plating min: Termination (µm)	1.00
Termination Interface: Style	Crimp or Compression
Wire Insulation Diameter	1.70mm (.067") max.
Wire Size AWG	N/A
Wire Size mm ²	0.75

Electrical

Current - Maximum per Contact	7.5A
-------------------------------	------

Material Info

Reference - Drawing Numbers

Packaging Specification	PK-98658-006
Sales Drawing	SD-98658-004

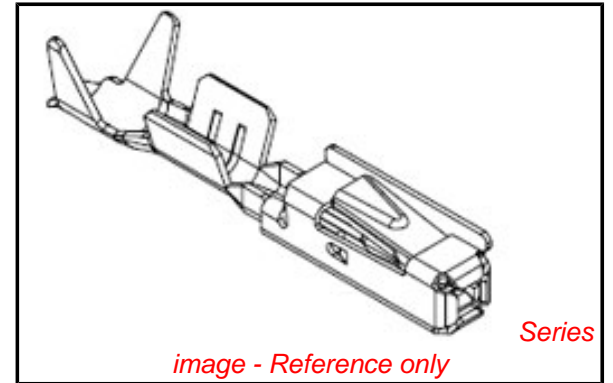


image - Reference only

EU RoHS

ELV and RoHS Compliant

REACH SVHC

Contains SVHC: No

Halogen-Free Status

Halogen-Free

China RoHS



Need more information on product environmental compliance?

Email productcompliance@molex.com
 For a multiple part number RoHS Certificate of Compliance, [click here](#)

Please visit the [Contact Us](#) section for any non-product compliance questions.

Search Parts in this Series

[98658Series](#)

Use With

all 0.635mm (.025") MOX Housings

Application Tooling | [FAQ](#)

Tooling specifications and manuals are found by selecting the products below. Crimp Height Specifications are then contained in the Application Tooling Specification document.

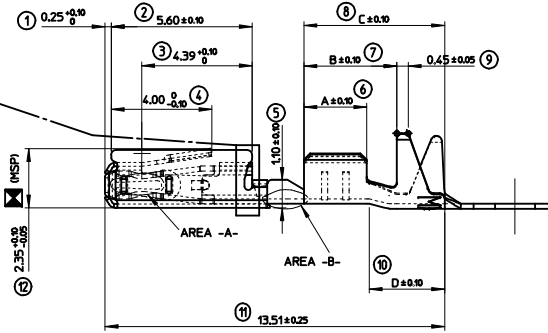
Global

Description	Product #
Extractor Tool for 2.8mm Crimp Terminals	0638136900
Extractor Tool for 2.8mm Crimp Terminals	0638137000
FineAdjust™ Applicator	0638667000
Hand Crimp Tool	0638119300
MOX Extraction Tool	0638132600

This document was generated on 05/31/2010

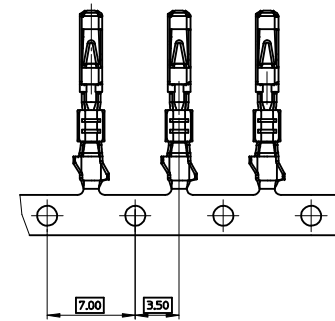
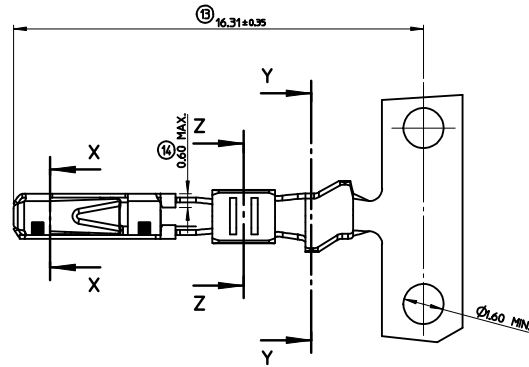
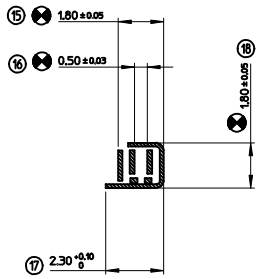
PLEASE CHECK WWW.MOLEX.COM FOR LATEST PART INFORMATION

FORME ADMISE
ALLOWED VERSION

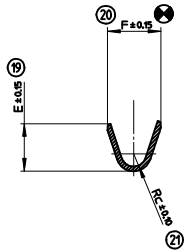


MOLEX REFERENCE	AREA -A- (GAP AREA)	AREA -B-	CRIMP AREA	Wire size range	Longeure Length	Serrisage Wire Crimp	Conducteur Insulation Crimp	Serrisage Isolant Insulation Crimp	Poids Weight
TIN PLATED VERSION	096581211	HOT TIN DP Sn = 1.0 to 3.0 Hs		0.22 to 0.60 mm2	A-250 B-370 C-560 D-300	E-190 F-240 Rc-050	G-290 H-280 Ri-080	0.600 g	
GOLD PLATED VERSION	096581221	Au= 0.4 Hs MIN. Ni= 1.0 Hs MIN.	Sn = 1.0 to 5.0 Hs MIN. Ni = 1.0 Hs MIN.						
GOLD PLATED VERSION	096581231	Au= 0.4 Hs MIN. Ni= 1.0 Hs MIN.	Au= 0.4 Hs MIN. Ni= 1.0 Hs MIN. Sn = 1.0 to 5.0 Hs MIN. Ni = 1.0 Hs MIN.	0.75 mm2	A-280 B-370 C-560 D-270	E-225 F-225 Rc-050	G-290 H-280 Ri-080	0.600 g	
TIN PLATED VERSION	096581212	HOT TIN DP Sn = 1.0 to 3.0 Hs							
GOLD PLATED VERSION	096581222	Au= 0.4 Hs MIN. Ni= 1.0 Hs MIN.	Sn = 1.0 to 5.0 Hs MIN. Ni = 1.0 Hs MIN.	0.22 to 0.50 mm2	A-250 B-370 C-560 D-300	E-180 F-180 Rc-040	G-290 H-290 Ri-070	0.600 g	
GOLD PLATED VERSION	096581232	Au= 0.4 Hs MIN. Ni= 1.0 Hs MIN.	Au= 0.4 Hs MIN. Ni= 1.0 Hs MIN. Sn = 1.0 to 5.0 Hs MIN. Ni = 1.0 Hs MIN.						
TIN PLATED VERSION	096581213	HOT TIN DP Sn = 1.0 to 3.0 Hs		0.22 to 0.50 mm2	A-250 B-370 C-560 D-300	E-180 F-180 Rc-040	G-290 H-290 Ri-070	0.600 g	
GOLD PLATED VERSION	096581223	Au= 0.4 Hs MIN. Ni= 1.0 Hs MIN.	Sn = 1.0 to 5.0 Hs MIN. Ni = 1.0 Hs MIN.						
GOLD PLATED VERSION	096581233	Au= 0.4 Hs MIN. Ni= 1.0 Hs MIN.	Au= 0.4 Hs MIN. Ni= 1.0 Hs MIN. Sn = 1.0 to 5.0 Hs MIN. Ni = 1.0 Hs MIN.						

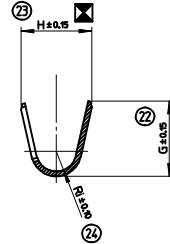
X-X



Z-Z



Y-Y



NOTE:

- MATERIAL: CONTACT BODY: HIGH CONDUCTIVE COPPER ALLOY.
SLEEVE: STAINLESS STEEL.
- PACKAGING SPECIFICATION: PK-98658-006.
- CRIMPING PARAMETERS AND CRIMPING TOOL DEFINITION: SEE CS-98658-001.

INDICATION DIMENSIONS S.P.C
DENOTES S.P.C DIMENSIONS
 INDICATION DIMENSIONS DETERMINANT LES
CAPABILITIES MACHINE
DENOTES DIMENSIONS DETERMINING THE
MACHINE'S ABILITIES
 INDICATION DIMENSIONS FONCTIONNELLES
DENOTES FUNCTIONAL DIMENSIONS
 QUANTITE PAR FEUILLE INDIVIDUELLE
QUANTITY PER INDIVIDUAL SHEET
 - 2 - 4 - 0

CHANGED DR. E & F FOR 0.5 mmZ EC NO: GZ008-049Z DRAWING: GRANDCL CHKD: MANDRE APPR: LESTER 2008/12/04 2008/12/02 2008/12/08	GENERAL TOLERANCES (UNLESS SPECIFIED) mm INCH 4 PLACES ± --- ± --- 3 PLACES ± --- ± --- 2 PLACES ± 0. ± --- 1 PLACE ± 0. ± --- ANGULAR ± 1/2°	DIMENSION STYLE MM ONLY DRAWN BY DATE JTAMSSON 1998/06/01 CHECKED BY DATE MANDRE 1999/10/14 APPROVED BY DATE CBOUCHAN 1999/10/14	SCALE 10:1 DESIGN UNITS METRIC FIRST ANGLE PROJECTION	TITLE MOX 0.63 TERMINAL RECEPTACLE TERMINAL GENERIC CONTROL DRAWING MOLEX INCORPORATED DOCUMENT NO. SD-98658-004	SHEET NO. 1 OF 1	
	DRAFT WHERE APPLICABLE MUST REMAIN WITHIN DIMENSIONS		SEE CHART THIS DRAWING CONTAINS INFORMATION THAT IS PROPRIETARY TO MOLEX INCORPORATED AND SHOULD NOT BE USED WITHOUT WRITTEN PERMISSION			