

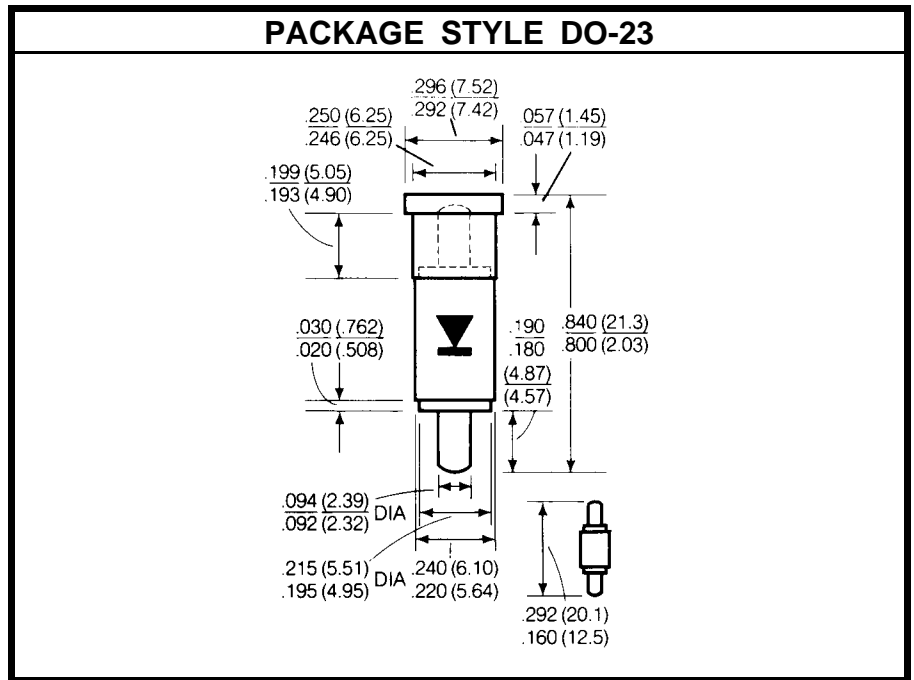
# SILICON SCHOTTKY BARRIER MIXER DIODE

**DESCRIPTION:**

The **D1504-8M** is a Matched Pair of Silicon Schottky Barrier Mixer Diodes.

**MAXIMUM RATINGS**

<b>I</b>	20 mA
<b>V</b>	3.0 V
<b>P<sub>DISS</sub></b>	300 mW/CW @ T <sub>C</sub> = 25 °C
<b>T<sub>J</sub></b>	-55 °C to +150 °C
<b>T<sub>STG</sub></b>	-55 °C to +150 °C


**CHARACTERISTICS** T<sub>C</sub> = 25 °C

SYMBOL	TEST CONDITIONS	MINIMUM	TYPICAL	MAXIMUM	UNITS
<b>NF</b>	P <sub>LO</sub> = 1.0 mW   N <sub>FIF</sub> = 1.5 dB   f = 9375 MHz			7.0	<b>dB</b>
<b>C<sub>L</sub></b>				5.5	<b>dB</b>
<b>Z<sub>IF</sub></b>	IF IMPEDANCE	250		450	<b>Ohms</b>
<b>V<sub>SWR</sub></b>				1.5	