

CERAMIC CAPACITORS

MCCC SERIES CERAMIC DISC CAPACITORS (CONT.)

VOLTAGE: 200 VDC

Mnf. Part No.	Cap. (pF)	Diel. Char.	Cap. Tol.	Stock No.	Price 1-249
● MCCC200V102KY5P	1000	Y5P	± 10%	97M4049	0.026
● MCCC200V103KY5P	10000	Y5P	± 10%	97M4050	0.087

VOLTAGE: 250 VDC

● MCCC250V503MY5U	50000	Y5U	± 20%	97M4051	0.126
-------------------	-------	-----	-------	-------------------------	-------

VOLTAGE: 600 VDC

● MCCC600V503MY5V	50000	Y5V	± 20%	97M4057	0.213
-------------------	-------	-----	-------	-------------------------	-------

VOLTAGE: 1000 VDC

● MCCC1KV101MSL	100	SL	± 20%	97M4042	0.031
● MCCC1KV222MZ5U	2200	Z5U	± 20%	97M4043	0.037

VOLTAGE: 1500 VDC

● MCCC1500V220JNPO	22	COG/NPO	± 5%	97M5066	0.027
● MCCC1500V270JNPO	27	COG/NPO	± 5%	97M5067	0.033

VOLTAGE: 3000 VDC

● MCCC3KV151MX7R	150	X7R	± 20%	97M4052	0.136
------------------	-----	-----	-------	-------------------------	-------

(115468)

CLASS 1 & 2 CERAMIC DISC CAPACITORS

Features:

- Low losses
- High stability
- High capacitance in small size
- Op. Temp. Range:
 - Class 1: - 55 to + 125 °C
 - Class 2: - 55 to + 85 °C



- Applications:
- Bypassing
 - Coupling
 - Resonant circuit

VOLTAGE: 100 VDC, CLASS 1 NPO

Mnf. Part No.	Cap. (pF)	Voltage (VDC)	Tol. (+/- %)	Stock No.	Price 1-99
● D100D20COGH63L6R	10	100	± 0.5pF	91K6961	0.212
● D150J20COGH63L6R	15	100	± 5%	91K7542	0.105
● D180J20COGH63L6R	18	100	± 5%	91K7808	0.105
● D220J20COGH63L6R	22	100	± 5%	91K8026	0.105
● D270J20COGH63L6R	27	100	± 5%	91K8316	0.179
● D330J20COGH63L6R	33	100	± 5%	91K8492	0.179
● D560J25COGH63L6R	56	100	± 5%	91K9125	0.179
● D680J25COGH63L6R	68	100	± 5%	91K9288	0.179
● D101G29COGH63L6R	100	100	± 2%	91K7041	0.186
● D101J29COGH63L6R	100	100	± 5%	91K7090	0.341
● D121J33COGH63L6R	120	100	± 5%	91K7402	0.386
● D221J39COGH63L6R	220	100	± 5%	91K8071	0.386

VOLTAGE: 100 VDC, CLASS 2 Y5P

● D101K20Y5PH63L6R	100	100	± 10%	91K7111	0.116
● D221K20Y5PH63L6R	220	100	± 10%	91K8089	0.116
● D331K20Y5PH63L6R	330	100	± 10%	91K8536	0.116
● D471K20Y5PH63L6R	470	100	± 10%	91K8923	0.116
● D222K25Y5PH63L6R	2200	100	± 10%	91K8113	0.116
● D332K29Y5PH63L6R	3300	100	± 10%	91K8562	0.145
● D472K33Y5PH63L6R	4700	100	± 10%	91K8949	0.145

VOLTAGE: 500 VDC, CLASS 2 COG

● D150J20COGL63L6R	15	500	± 5%	91K7546	0.227
● D220J25COGL63L6R	22	500	± 5%	91K8030	0.227

VOLTAGE: 500 VDC, CLASS 2 Y5P

● D101K20Y5PL63L6R	100	500	± 10%	91K7118	0.188
● D151K20Y5PL63L6R	150	500	± 10%	91K7615	0.188
● D221K20Y5PL63L6R	220	500	± 10%	91K8096	0.188
● D331K20Y5PL63L6R	330	500	± 10%	91K8544	0.188
● D222K33Y5PL63L6R	2200	500	± 10%	91K8124	0.147
● D272K33Y5PL63L6R	2700	500	± 10%	91K8369	0.277
● D103K69Y5PL63L6R	10000	500	± 10%	91K7212	0.225

VOLTAGE: 500 VDC, CLASS 2 X5F

● D102K29X5FL63L6R	1000	500	± 10%	91K7152	0.242
● D202K39X5FL63L6R	2000	500	± 10%	91K7956	0.335

VOLTAGE: 500 VDC, CLASS 2 Z5U

● D203Z59Z5UL63L6R	20000	500	+80, -20%	91K7959	0.178
--------------------	-------	-----	-----------	-------------------------	-------

(108731)

WYO CERAMIC DISC AC SUPPRESSION CAPACITORS

Features

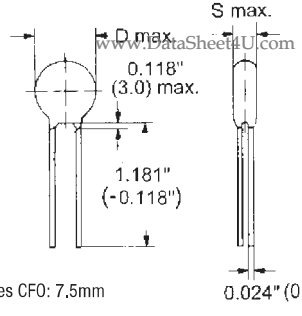
- Epoxy Resin Dipped
- Flame Retardant
- UL Recognized, VDE, IMQ, BSI, SEV, NEMKO, SETI

Applications

- Class "Y" AC Capacitors for Radio Interference Suppression

Specifications

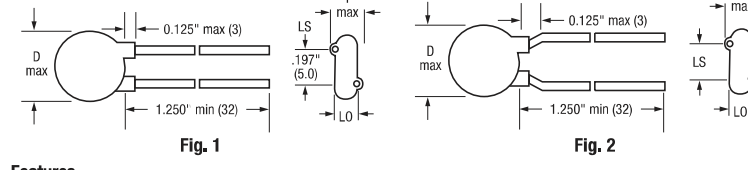
- Voltage: 250 VAC, 50/60Hz
- Lead Spacing: Types BFO: 5.0 mm and Types CFO: 7.5mm
- Tolerance: ±20%
- Dissipation Factor (tanδ): ≤25 x 10⁻³



Mfg. Part No.	Cap. (pF)	D x S (mm)	Stock No.	Price 1-99
● WYO102MCMBF0KR	1000	6.5 x 4.5	43K5678	0.185
● WYO152MCMBF0KR	1500	8 x 4.5	65K4190	0.188
● WYO182MCMBF0KR	1800	8 x 4.5	65K4191	0.198
● WYO222MCMBF0KR	2200	9 x 4.5	36K1711	0.228
● WYO252MCMBF0KR	2500	9 x 4.5	64K2449	0.228
● WYO252MCMCF0KR	2500	9 x 4.5	65K3403	0.228
● WYO332MCMCF0KR	3300	10 x 4.5	65K4193	0.319
● WYO472MCMBF0KR	4700	12 x 4.5	70K6709	0.328
● WYO472MCMCF0KR	4700	12 x 4.5	43K5684	0.328
● WYO502MCMCF0KR	5000	12 x 4.5	65K4194	0.331
● WYO682MCMCF0KR	6800	17 x 4.5	65K4195	0.790
● WYO822MCMCF0KR	8200	17 x 4.5	65K4196	0.835
● WYO103MCMCF0KR	10000	21 x 4.5	43K5682	0.850

(7307)

561R/562R SERIES LOWER VOLTAGE CERAMIC DISC CAPACITORS



Features

- Low losses
- High stability
- High capacitance in small size
- Complete Range of Capacitance Values

Applications

- Bypassing
- Resonant circuit
- Coupling

CASE SIZE (22 AWG TINNED WIRE LEADS)

Case Size	D Max. (in.)	T Max. (in.)	LS (in.)	Case Size	D Max. (in.)	T Max. (in.)	LS (in.)
C	0.25	0.156	0.25	K	0.63	0.156	0.375
E	0.29	0.156	0.25	L	0.68	0.156	0.375
E7	0.33	0.156	0.25	M	0.76	0.156	0.375
F	0.37	0.156	0.25	P	0.89	0.156	0.375
F7	0.4	0.156	0.25	R	0.51	0.2	0.375
G7	0.44	0.156	0.25	T	0.58	0.2	0.375
H	0.46	0.156	0.25	U	0.64	0.2	0.375
H3	0.49	0.156	0.25	W	0.7	0.2	0.375
H7	0.49	0.156	0.375	X	0.77	0.2	0.375
J	0.53	0.156	0.375	Y	0.9	0.2	0.375
G	0.56	0.156	0.375	Q	0.95	0.2	0.375

100 VDC GENERAL PURPOSE CAPACITORS

Mfg. Part No.	Cap. (pF)	Tol. +/- %	Temp. Coeff.	Fig.	Case Size	Stock No.	Price Each 1-9	Price Each 10-24
● 561RTCXQ10	10	±5%	X7R	1	C	69K4616	1.220	1.080
● 561RTCXQ22	22	±10%	X7R	1	C	69K4617	1.480	1.300
● 561RTCXQ47	47	±10%	X7R	1	C	69K4618	0.521	0.460
● 561RTSQ10	10	±5%	NPO	2	C	69K4619	0.521	0.460
● 561RTSQ22	22	±5%	NPO	2	C	69K4620	0.521	0.460
● 561RTSQ33	33	±10%	U2J	2	C	69K4621	0.521	0.460
● 561RTSQ47	47	±10%	U2J	2	C	69K4622	0.521	0.460
● 562RTST10	100	±10%	X7R	2	C	69K4805	0.492	0.434
● 562RTST22	220	±10%	X7R	2	C	69K4807	0.492	0.434
● 562RTST33	330	±10%	X7R	2	C	69K4808	0.492	0.434
● 562RTST47	470	±10%	X7R	2	C	69K4809	0.608	0.536
● 562RTSD22	2200	±10%	X7R	2	F	66C1798	0.595	0.525
● 562RTGD50	5000	±20%	Z5U	1	E	69K4791	0.540	0.476
● 562RTGS10	10000	±20%	Z5U	1	F	52K7381	0.387	0.341
● 565RTGS50	50000	±20%	Z5U					2.440