

Spec. No.	
-----------	--

Version : 3.01

Date : 4/22/03

## Product Specification

### 20.1" COLOR TFT-LCD MODULE

MODEL NAME: A201SN01 V.3

< >Preliminary Specification

< > Final Specification

Note: The content of this specification is subject to change.

© 2003 AU Optronics  
All Rights Reserved,  
Do Not Copy.

## Record of Revision

Version	Revise Date	Content																																																								
0	15/Dec./2001	First draft.																																																								
1	11/Apr./2002	<p>1. Total pages 14 <del>↔</del> 15</p> <p>2. Overall dimension H : 345 <del>↔</del> 347 D : 25 <del>↔</del> 23</p> <p>3. Typical operation (Page 4)</p> <table border="1"> <thead> <tr> <th>Symbol</th> <th>Min.</th> <th>Typ.</th> <th>Max.</th> </tr> </thead> <tbody> <tr> <td>V<sub>CC</sub></td> <td>4.7 <del>↔</del> 4.75</td> <td></td> <td>5.3 <del>↔</del> 5.25</td> </tr> <tr> <td>I<sub>A</sub></td> <td></td> <td>700 <del>↔</del> 800</td> <td>800 <del>↔</del> 1000</td> </tr> <tr> <td>I<sub>RUSH</sub></td> <td></td> <td></td> <td>TBD <del>↔</del> 1.5</td> </tr> </tbody> </table> <p>4. Timing characteristic of input signal (Page 6) Add H/V input mode</p> <p>5. Black light unit (Page 7)</p> <table border="1"> <thead> <tr> <th>Symbol</th> <th>Min.</th> <th>Typ.</th> <th>Max.</th> </tr> </thead> <tbody> <tr> <td>V<sub>L</sub></td> <td>740 <del>↔</del> 720</td> <td>820 <del>↔</del> 800</td> <td>900 <del>↔</del> 880</td> </tr> <tr> <td>I<sub>L</sub></td> <td>5 <del>↔</del> 4</td> <td>6 <del>↔</del> 5.5</td> <td></td> </tr> <tr> <td>P<sub>L</sub></td> <td></td> <td>4.92 <del>↔</del> 4.4X6</td> <td></td> </tr> <tr> <td>F<sub>L</sub></td> <td></td> <td>50 <del>↔</del> 52</td> <td></td> </tr> </tbody> </table> <p>6. Optical specification (Page 8)</p> <table border="1"> <thead> <tr> <th>Symbol</th> <th>Min.</th> <th>Typ.</th> <th>Max.</th> </tr> </thead> <tbody> <tr> <td>T<sub>r</sub></td> <td></td> <td>4 <del>↔</del> 6</td> <td>8 <del>↔</del> 10</td> </tr> <tr> <td>T<sub>f</sub></td> <td></td> <td>12 <del>↔</del> 16</td> <td>24 <del>↔</del> 25</td> </tr> <tr> <td>W<sub>x</sub></td> <td>0.283 <del>↔</del> 0.25</td> <td>0.313 <del>↔</del> 0.28</td> <td>0.343 <del>↔</del> 0.31</td> </tr> <tr> <td>W<sub>y</sub></td> <td>0.299 <del>↔</del> 0.27</td> <td>0.329 <del>↔</del> 0.30</td> <td>0.359 <del>↔</del> 0.33</td> </tr> </tbody> </table> <p>7. Driving condition for CCFL (Page 9) I<sub>L</sub> : 6 <del>↔</del> 5.5mA 50 <del>↔</del> 52KHz</p> <p>8. Reliability test items (Page 10) High temp. storage 70 <del>↔</del> 60 Thermal shock 70 <del>↔</del> 60</p> <p>9. Update outline dimension drawing (Page 12)</p>	Symbol	Min.	Typ.	Max.	V <sub>CC</sub>	4.7 <del>↔</del> 4.75		5.3 <del>↔</del> 5.25	I <sub>A</sub>		700 <del>↔</del> 800	800 <del>↔</del> 1000	I <sub>RUSH</sub>			TBD <del>↔</del> 1.5	Symbol	Min.	Typ.	Max.	V <sub>L</sub>	740 <del>↔</del> 720	820 <del>↔</del> 800	900 <del>↔</del> 880	I <sub>L</sub>	5 <del>↔</del> 4	6 <del>↔</del> 5.5		P <sub>L</sub>		4.92 <del>↔</del> 4.4X6		F <sub>L</sub>		50 <del>↔</del> 52		Symbol	Min.	Typ.	Max.	T <sub>r</sub>		4 <del>↔</del> 6	8 <del>↔</del> 10	T <sub>f</sub>		12 <del>↔</del> 16	24 <del>↔</del> 25	W <sub>x</sub>	0.283 <del>↔</del> 0.25	0.313 <del>↔</del> 0.28	0.343 <del>↔</del> 0.31	W <sub>y</sub>	0.299 <del>↔</del> 0.27	0.329 <del>↔</del> 0.30	0.359 <del>↔</del> 0.33
Symbol	Min.	Typ.	Max.																																																							
V <sub>CC</sub>	4.7 <del>↔</del> 4.75		5.3 <del>↔</del> 5.25																																																							
I <sub>A</sub>		700 <del>↔</del> 800	800 <del>↔</del> 1000																																																							
I <sub>RUSH</sub>			TBD <del>↔</del> 1.5																																																							
Symbol	Min.	Typ.	Max.																																																							
V <sub>L</sub>	740 <del>↔</del> 720	820 <del>↔</del> 800	900 <del>↔</del> 880																																																							
I <sub>L</sub>	5 <del>↔</del> 4	6 <del>↔</del> 5.5																																																								
P <sub>L</sub>		4.92 <del>↔</del> 4.4X6																																																								
F <sub>L</sub>		50 <del>↔</del> 52																																																								
Symbol	Min.	Typ.	Max.																																																							
T <sub>r</sub>		4 <del>↔</del> 6	8 <del>↔</del> 10																																																							
T <sub>f</sub>		12 <del>↔</del> 16	24 <del>↔</del> 25																																																							
W <sub>x</sub>	0.283 <del>↔</del> 0.25	0.313 <del>↔</del> 0.28	0.343 <del>↔</del> 0.31																																																							
W <sub>y</sub>	0.299 <del>↔</del> 0.27	0.329 <del>↔</del> 0.30	0.359 <del>↔</del> 0.33																																																							

Version	Date	Content	Remark								
1.1	14 Aug.2002	CN1 (50P) connector: Compatible with Hirose FH12-50S-0.5SH	Change								
		<table border="1" style="margin-left: auto; margin-right: auto;"> <tr> <th colspan="2" data-bbox="561 295 1066 342">Remark</th> </tr> <tr> <td colspan="2" data-bbox="561 349 1066 396">Cable color: Pink (central); Dark Gray others)</td> </tr> </table> <p>Note6:</p>	Remark		Cable color: Pink (central); Dark Gray others)		Update				
Remark											
Cable color: Pink (central); Dark Gray others)											
		Viewing Angle (CR 10)	Add								
		Color Saturation 70% NTSC	Add								
		ME Drawing	Update								
1.11	30 Sep. 2002	Timing characteristics of input signals—DE mode and H/V mode --Clock frequency max.	Change								
		Color chromaticity (CIE)	Add								
1.12	7 Mar. 2003	Physical Specification	Add and Update								
		Brightness (center of screen) 500 (typ.)	Changed								
		Color Saturation 72%	Changed								
		Note3: To be measured with a viewing cone of 1 °by Topcon luminance meter ELDIM.	Changed								
		Packing	Updated								
3.0	10 Apr. 2003	Surface treatment <del>≠</del> Hard Coating + LR	Changed								
		Response Time <del>≠</del> 16ms	Changed								
		Color Chromaticity	Changed								
		Color Saturation <del>≠</del> 75%	Changed								
3.01	22 Apr. 2003	Viewing Angle (CR 10) <table border="1" style="margin-left: auto; margin-right: auto;"> <tr> <td data-bbox="539 1113 683 1146">Top</td> <td data-bbox="687 1113 826 1146">80</td> </tr> <tr> <td data-bbox="539 1153 683 1187">Bottom</td> <td data-bbox="687 1153 826 1187">60</td> </tr> <tr> <td data-bbox="539 1193 683 1227">Left</td> <td data-bbox="687 1193 826 1227">80</td> </tr> <tr> <td data-bbox="539 1234 683 1263">Right</td> <td data-bbox="687 1234 826 1263">80</td> </tr> </table>	Top	80	Bottom	60	Left	80	Right	80	Changed
Top	80										
Bottom	60										
Left	80										
Right	80										

**Contents:**

**A. Physical specifications**

**B. Electrical specifications**

1. Pin assignment.
2. Absolute maximum ratings
3. Electrical characteristics
  - a. Typical operating conditions.
  - b. Display color v. s. input data signals
  - c. Input signal timing
  - d. Display position
  - e. Backlight unit

**C. Optical specifications**

**D. Reliability test items**

**E. Display quality**

**F. Handling precaution**

**G. Packing**

**Appendix:**

Fig.1 LCM outline dimensions

Fig.2 Timing chart

**A. Physical specifications**

NO.	Item	Specification	Remark
1	Display resolution(pixel)	800x3(H) x600(V)	
2	Display Mode	TN Type, Normally White + SWV Film	
3	Active area (mm)	408(H) x306(V)	
4	Screen size (inch)	20.1(Diagonal)	
5	Pixel pitch (mm)	0.51(H) x0.51(V)	
6	Color configuration	R. G. B. Vertical stripe	
7	Display Color	16.7M (8 bit)	
8	Typical white Luminance	500 nit (typ.)	
9	Color Gamut	72% typ. of NTSC coverage	
10	Response Time	16ms typ. (Tr+Tf)	
11	Electrical Interface	TTL 1 port	
12	Overall dimension (mm)	448(W) x347(H) x23(D)	Note 1
13	Weight (g)	3500	
14	Surface Treatment	Hard Coating + LR	

Note 1: Refer to Fig. 1.

**B. Electrical specifications**

1.Pin assignment

P/N	Symbol	Function		P/N	Symbol	Function
1	NC			26	R0	Red Data
2	NC			27	GND	Ground
3	NC			28	G7	Green Data
4	GND	Ground		29	G6	
5	GND	Ground		30	G5	
6	V <sub>CC</sub>	Power Input (+5.0V)		31	G4	
7	V <sub>CC</sub>			32	GND	Ground
8	V <sub>CC</sub>			33	G3	Green Data
9	V <sub>CC</sub>			34	G2	
10	GND			35	G1	
11	HSYNC	Horizontal Sync.	Active Low	36	G0	Green Data
12	VSYNC	Vertical Sync.		37	GND	
13	GND			38	B7	Blue Data
14	DE	Data Enable		39	B6	
15	GND			40	B5	
16	DCLK	Dot Clock		41	B4	
17	GND	Ground		42	GND	Ground
18	R7	Red Data (R7 :MSB)		43	B3	Blue Data
19	R6			44	B2	
20	R5			45	B1	
21	R4			46	B0	
22	GND		Ground		47	
23	R3	Red Data		48	GND	Ground
24	R2			49	NC	
25	R1			50	NC	

CN1 (50P) connector: **Compatible with Hirose FH12-50S-0.5SH**

2. Absolute maximum ratings

(GND = 0 V)

Parameter	Symbol	Values		Unit	Remark
		Min.	Max.		
Power voltage	V <sub>CC</sub>	-0.3	5.5	V <sub>DC</sub>	At 25
Input signal voltage	V <sub>LH</sub>	-0.3	V <sub>CC</sub> +0.3	V <sub>DC</sub>	At 25
Operating temperature	T <sub>op</sub>	0	+50		Note 1
Storage temperature	T <sub>ST</sub>	-20	+70		Note 1

Note 1: The relative humidity must not exceed 90% non-condensing at temperatures of 40 °C or less. At temperatures greater than 40 °C, the wet bulb temperature must not exceed 39 °C. When operate at low temperatures, the brightness of CCFL will drop and the lifetime of CCFL will be reduced.

Note 2: The unit should not be exposed to corrosive chemicals.

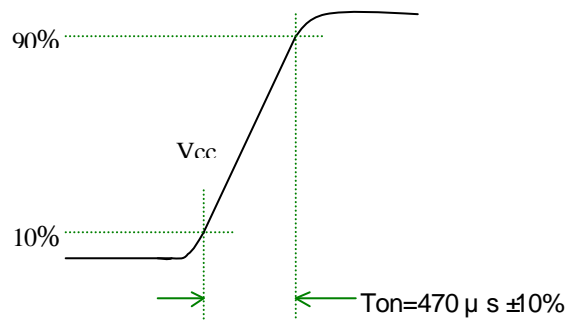
3. Electrical characteristics

a. Typical operating conditions

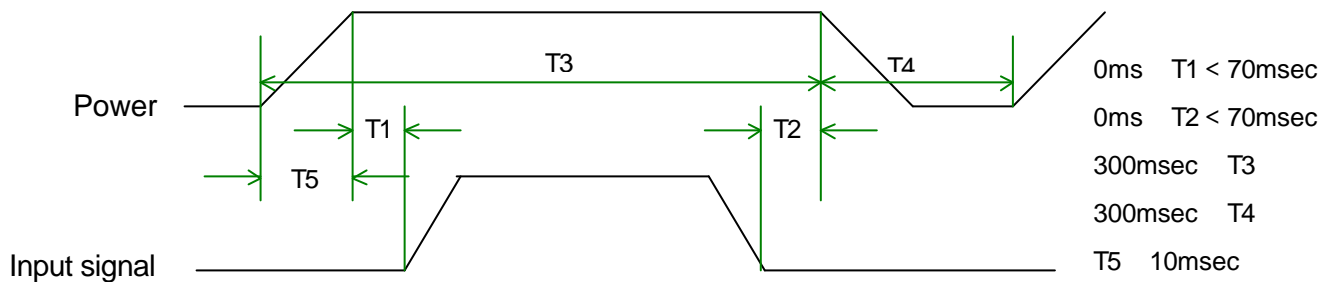
Item	Symbol	Min.	Typ.	Max.	Unit	Remark	
Power supply voltage	Input voltage	$V_{CC}$	4.75	5.0	5.25	V	
	Current consumption	$I_A$	-	800	1000	mArms	Note 1
	Inrush current	$I_{RUSH}$	-	-	1.5	mApeak	Note 2
Internal logic	Low voltage	$V_{IL}$	0	-	1.0	V	
	High voltage	$V_{IH}$	2.3	-	3.3	V	
Power ripple voltage	$V_{RP}$	-	-	100	mVp-p		

Note 1: Effective value (mArms) at  $V_{CC} = 5\text{ V}/25$  .

Note 2: Refer to the following power-on condition.



Sequence of Power-on/off and signal-on/off



Apply the lamp voltage within the LCD operating range. When the backlight turns on before the LCD operation or the LCD turns off before the backlight turns off, the display may momentarily become abnormal.

**Caution**

The above on/off sequence should be applied to avoid abnormal function in the display.  
In case of handling:

Make sure to turn off the power when you plug the cable into the input connector or pull the cable out of the connector.

b. Display color v.s. input data signals

Display colors		Data signal (0 : Low level, 1: High level)																							
		R7	R6	R5	R4	R3	R2	R1	R0	G7	G6	G5	G4	G3	G2	G1	G0	B7	B6	B5	B4	B3	B2	B1	B0
Basic colors	Black	0	0	0	0	0	0	0	0	0	0	0	0	0	0	0	0	0	0	0	0	0	0	0	0
	Blue	0	0	0	0	0	0	0	0	0	0	0	0	0	0	0	0	1	1	1	1	1	1	1	1
	Red	1	1	1	1	1	1	1	1	0	0	0	0	0	0	0	0	0	0	0	0	0	0	0	0
	Magenta	1	1	1	1	1	1	1	1	0	0	0	0	0	0	0	0	1	1	1	1	1	1	1	1
	Green	0	0	0	0	0	0	0	0	1	1	1	1	1	1	1	1	0	0	0	0	0	0	0	0
	Cyan	0	0	0	0	0	0	0	0	1	1	1	1	1	1	1	1	1	1	1	1	1	1	1	1
	Yellow	1	1	1	1	1	1	1	1	1	1	1	1	1	1	1	1	0	0	0	0	0	0	0	0
	White	1	1	1	1	1	1	1	1	1	1	1	1	1	1	1	1	1	1	1	1	1	1	1	1
Red grayscale	Black	0	0	0	0	0	0	0	0	0	0	0	0	0	0	0	0	0	0	0	0	0	0	0	0
	Dark	0	0	0	0	0	0	0	1	0	0	0	0	0	0	0	0	0	0	0	0	0	0	0	0
		0	0	0	0	0	0	1	0	0	0	0	0	0	0	0	0	0	0	0	0	0	0	0	0
	bright																								
		1	1	1	1	1	1	0	1	0	0	0	0	0	0	0	0	0	0	0	0	0	0	0	0
	Red	1	1	1	1	1	1	1	1	0	0	0	0	0	0	0	0	0	0	0	0	0	0	0	0
Green grayscale	Black	0	0	0	0	0	0	0	0	0	0	0	0	0	0	0	0	0	0	0	0	0	0	0	0
	Dark	0	0	0	0	0	0	0	0	0	0	0	0	0	0	0	1	0	0	0	0	0	0	0	0
		0	0	0	0	0	0	0	0	0	0	0	0	0	0	1	0	0	0	0	0	0	0	0	0
	bright																								
		0	0	0	0	0	0	0	0	1	1	1	1	1	1	0	1	0	0	0	0	0	0	0	0
	Green	0	0	0	0	0	0	0	0	1	1	1	1	1	1	1	1	0	0	0	0	0	0	0	0
Blue grayscale	Black	0	0	0	0	0	0	0	0	0	0	0	0	0	0	0	0	0	0	0	0	0	0	0	0
	Dark	0	0	0	0	0	0	0	0	0	0	0	0	0	0	0	0	0	0	0	0	0	0	0	1
		0	0	0	0	0	0	0	0	0	0	0	0	0	0	0	0	0	0	0	0	0	0	1	0
	bright																								
		0	0	0	0	0	0	0	0	0	0	0	0	0	0	0	0	1	1	1	1	1	1	0	1
	Blue	0	0	0	0	0	0	0	0	0	0	0	0	0	0	0	0	1	1	1	1	1	1	1	0

Note: Each basic color can be displayed in 64 gray scales using the 8 bit data signals. By combining the 24-bit data signals(R, G, B), the 16777216 colors can be achieved on the display.



c. Input signal timing

Timing diagrams of input signal are shown in Fig 2.

(1). Timing characteristics of input signals

DE mode

Item	Symbol	Min.	Typ.	Max.	Unit	Remark
Clock frequency	Fck	38	40	50	MHz	
Horizontal blanking	Thb1	235	256	500	Clk	
Horizontal display period	Thd	-	800	-	Clk	
Horizontal sync. period	Th	1035	1056	1300	Clk	
Vertical frequency	-	46	60	76	Hz	
Vertical blanking	Tvb1	10	28	150	Th	
Vertical display width	Tvd	-	600	-	Th	
Vertical sync. period	Tv	610	628	750	Th	

H/V mode

Item	Symbol	Min.	Typ.	Max.	Unit	Remark
Clock frequency	Fck	38	40	50	MHz	
Horizontal display period	Thd	1030	1056	1300	Clk	
Hsync pulse width	Thw	5	128	-	Clk	
Hsync front porch	Thf	10	40	-	Clk	
Hsync back porch	Thb	8	88	-	Clk	
Hsync width+back porch	Thw+Thb	80	-	Thd-810	Clk	
Hsync blanking	Thb1	230	256	500-	Clk	
Vsync period	Tv	610	628	650	Th	
Vsync width	Tw	2	4	-	Th	
Vsync front porch	Tvf	0	1	-	Th	
Vsync blanking	Tvb1	10	28	50	Th	
Hsync/Vsync phase shift	Tvpd	2	320	-	Clk	

Item	Symbol	Value	Unit	Description
Horizontal display start	The	218	Clk	After falling edge of Hsync, counting 218 clk, then getting valid data from 219th clk' s data.
Vertical display start	Tve	25	Th	After falling edge of Vsync, counting 25 Th, then getting 26th Th' s data.

Note 1:Clock falling edge latch the data.

Note 2:H/V is negative polarity.

d. Display position

D( 1,1 )	D( 2,1 )	.....	D( X,1 )	.....	D( 799,1 )	D( 800,1 )
D( 1,2 )	D( 2,2 )	.....	D( X,2 )	.....	D( 799,2 )	D( 800,2 )
⋮		.....	⋮	.....	⋮	⋮
D( 1,Y )	D( 2,Y )	.....	D( X,Y )	.....	D( 799,Y )	D( 800,Y )
⋮		.....	⋮	.....	⋮	⋮
D( 1,599 )	D( 2,599 )	.....	D( X,599 )	.....	D( 799,599 )	D( 800,599 )
D( 1,600 )	D( 2,600 )	.....	D( X,600 )	.....	D( 799,600 )	D( 800,600 )

e.Backlight unit

The backlight system is an edge-lighting type with a CCFT(Cold Cathode Fluorescent Tube).

The characteristics of a single lamp are shown in the following tables.

Parameter	Symbol	Min.	Typ.	Max.	Unit	Remark
Lamp voltage	$V_L$	720	800	880	Vrms	Note 1
Lamp current	$I_L$	4	5.5	7	mArms	Note 1
Power consumption	$P_L$	-	4.4x6	-	W	Note 2
Lamp starting voltage	$V_s$	-	-	1500(T=0 )	Vrms	Note 3
		-	-	1150(T=25 )		
Frequency	$F_L$	40	52	60	KHz	Note 4
Lamp life time	$L_L$	50000	-	-	Hr	Note 1, 5

Note 1: T= 25

Note 2: Inverter should be designed with the characteristic of lamp. When you are designing the inverter, the output voltage of the inverter should comply with the following conditions.

- (1). The area under the positive and negative cycles of the waveform of the lamp current and lamp voltage should be area symmetric (the symmetric ratio should be larger than 90%).
- (2). There should not be any spikes in the waveform.
- (3). The waveform should be sine wave as possible.
- (4). Lamp current should not exceed the maximum value within the operating temperature (It is prohibited to over the maximum lamp current even if operated in the non-guaranteed temperature). When lamp current over the maximum value for a long time, it may cause fire. Therefore, it is recommend that the inverter should have the current limited circuit.

Note 3: The inverter open voltage should be designed larger than the lamp starting voltage at T=0°C, otherwise backlight may be blinking for a moment after turning on or not be able to turn on. The open voltage should be measured after ballast capacitor. If an inverter has shutdown function it should keep its open voltage for longer than 1 second even if lamp connector is open.

Note 4: Lamp frequency may produce interference with horizontal synchronous frequency and this may cause line flow on the display. Therefore lamp frequency shall be detached from the horizontal synchronous frequency and its harmonics as far as possible in order to avoid interference.

Note 5: Brightness ( $I_L= 6mA$ ) to be decrease to the 50% of the initial value.

Note 6: CN2 connector (backlight): BHSR-02VS-1 (JST)  
 Mating connector: SM02B-BHS-1-TB (JST)

Pin no.	Symbol	Function	Remark
1	H	CCFL power supply (H.V.)	Cable color: Pink (central); Dark Gray others)
2	L	CCFL power supply (GND)	Cable color: White

**C. Optical specifications ( Note 1, Note 2 )**

Item	Symbol	Condition	Specification			Unit	Remark
			Min.	Typ.	Max.		
Response time							
Rising time	Tr	=0 °	-	5	-	ms	Note 4
Falling time	Tf		-	11	-		
Contrast ratio(center of screen)	CR	=0 °	400	500	-		Note 3,5
Viewing angle							
Top		CR 10	60	-	-	Deg.	Note 3,5,7
Bottom			60	-	-		
Left			80	-	-		
Right			80	-	-		
Top		CR 5	80	-	-	Deg.	
Bottom			80	-	-		
Left			80	-	-		
Right			80	-	-		
Brightness(center of screen)	Y <sub>L</sub>	=0 °	400	500	-	nit	Note 3,6
Color chromaticity(CIE)	Wx	=0 °	0.26	0.29	0.32		Note 3
	Wy		0.28	0.31	0.34		
	Rx		0.62	0.65	0.68		
	Ry		0.30	0.33	0.36		
	Gx		0.25	0.28	0.31		
	Gy		0.58	0.61	0.64		
	Bx		0.11	0.14	0.17		
	By		0.04	0.07	0.10		
Color Saturation (NTSC)				75		%	
White uniformity	w		70	-	-	%	Note 3,8

Note 1: Ambient temperature = 25 .

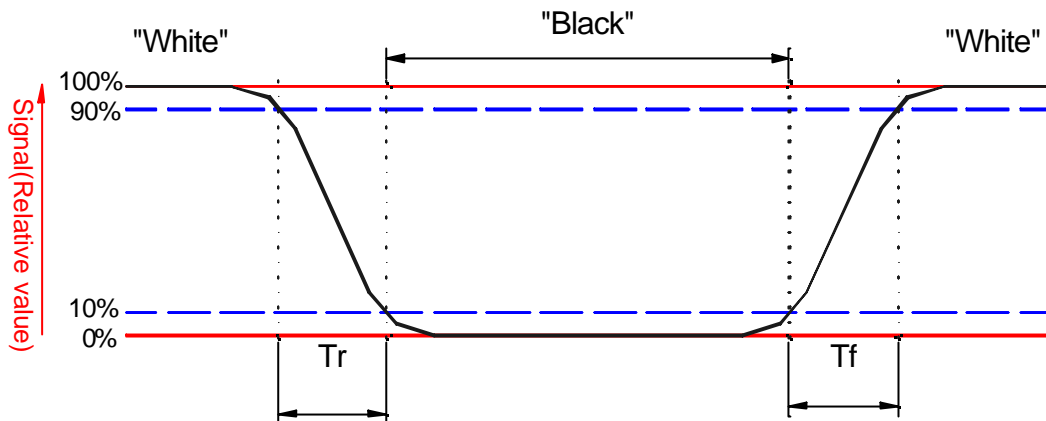
Note 2: To be measured in dark room after backlight warm up 30 minutes.

Note 3: To be measured with a viewing cone of 1 by Topcon luminance meter ELDIM EZContrast 160D.

Note 4: Definition of response time:

The output signals of BM-7 are measured when the input signals are changed from

“Black” to “White” (falling time) and from “White” to “Black” (rising time), respectively. The response time interval between the 10% and 90% of amplitudes. Refer to figure as below.



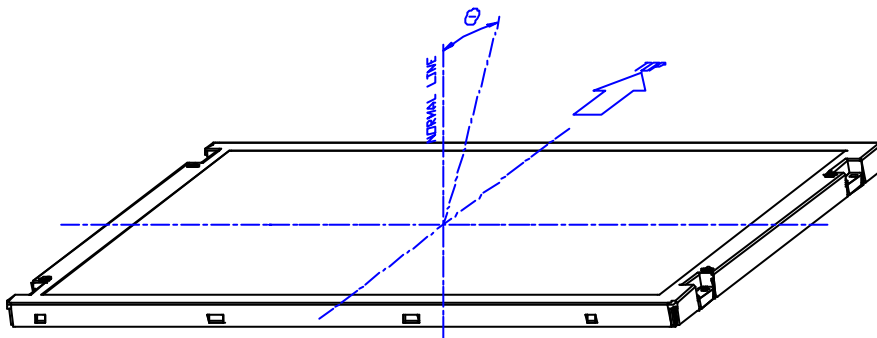
Note 5. Definition of contrast ratio:

Contrast ratio is calculated with the following formula.

$$\text{Contrast ratio (CR)} = \frac{\text{Brightness on the "white" state}}{\text{Brightness on the "black" state}}$$

Note 6: Driving conditions for CCFL:  $I_L = 5.5 \text{ mA}$ , 52KHz Frequency.

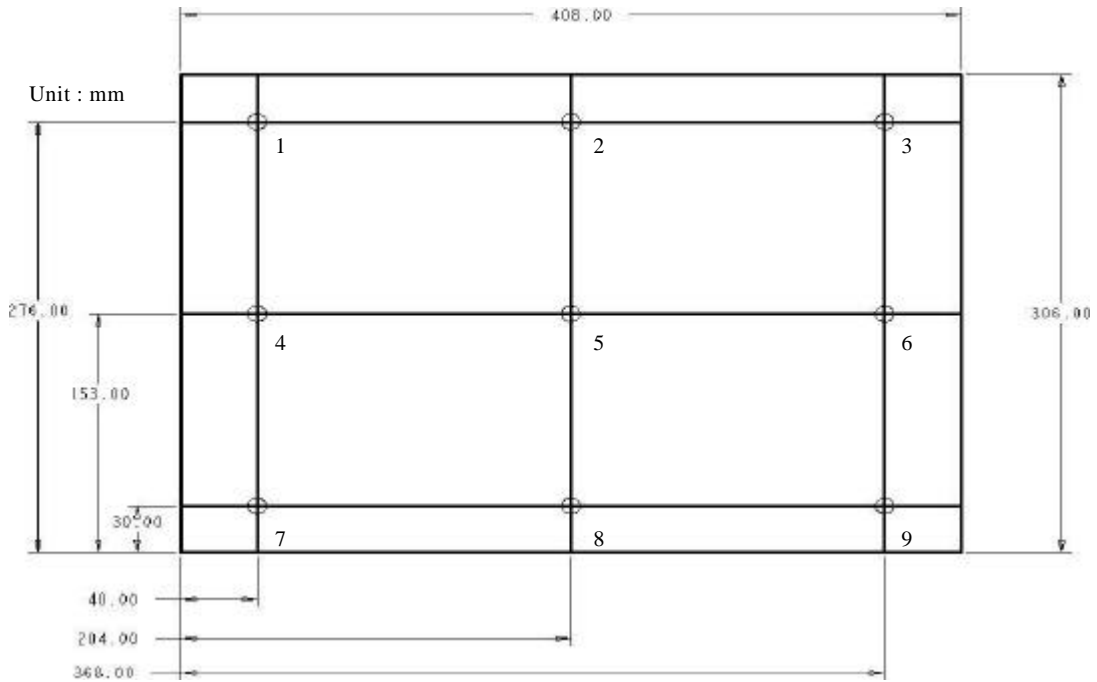
Note 7: Definition of viewing angle:



Note 8: Definition of white uniformity:

White uniformity is calculated with the following formula. Luminance are measured at the following nine points (1~9).

$$w = \frac{\text{Minimum Brightness of nine points}}{\text{Maximum Brightness of nine points}}$$



**D. Reliability test items (Note 1)**

Test tem	Test Condition	Remark
High temperature storage	60 , 240Hrs	Note 1, 2, 3
Low temperature storage	-20 , 240Hrs	Note 1, 2, 3
High temperature & high humidity operation	40 , 90%RH, 240Hrs (No condensation)	Note 1, 2, 3
High temperature operation	50 , 240Hrs	Note 1, 2, 3
Low temperature operation	0 , 240Hrs	Note 1, 2, 3
Temperature cycling (non-operation)	-20 ~60 1H, 10mins, 1H, 5cycles	Note 1, 2, 3
Electrostatic discharge (non-operation)	150 pF,150 ,10kV,1 second, 9 position on the panel, 10 times each place	Note 3
Vibration (non-operation)	Sweep:1G, 10Hz ~ 500Hz ~ 10Hz /2.5min 2 hours for each direction X, Y, Z (6 Hrs in total)	Note 1, 2, 3
Mechanical shock (non-operation)	50G/11ms, 200G/2ms, ±X, ±Y, ±Z once for each direction	Note 1, 2, 3

Note 1: Evaluation should be tested after storage at room temperature for one hour.

Note 2: There should be no change which might affect the practical display function when the display quality test is conducted under normal operating condition.

Note 3: Judgment: 1.Function OK.

2.No serious image quality degradation.

### **E. Display quality**

The display quality of the color TFT-LCD module should be in compliance with the AUO's OQC inspection standard.

### **F. Handling precaution**

The Handling of the TFT-LCD should be in compliance with the AUO's handling principle standard.

### **G. Packing:**

1. Packing quantity: 3pcs/ box
2. Box size: 565mm \* 305mm \* 465mm
3. Weight: 12kg (max.)

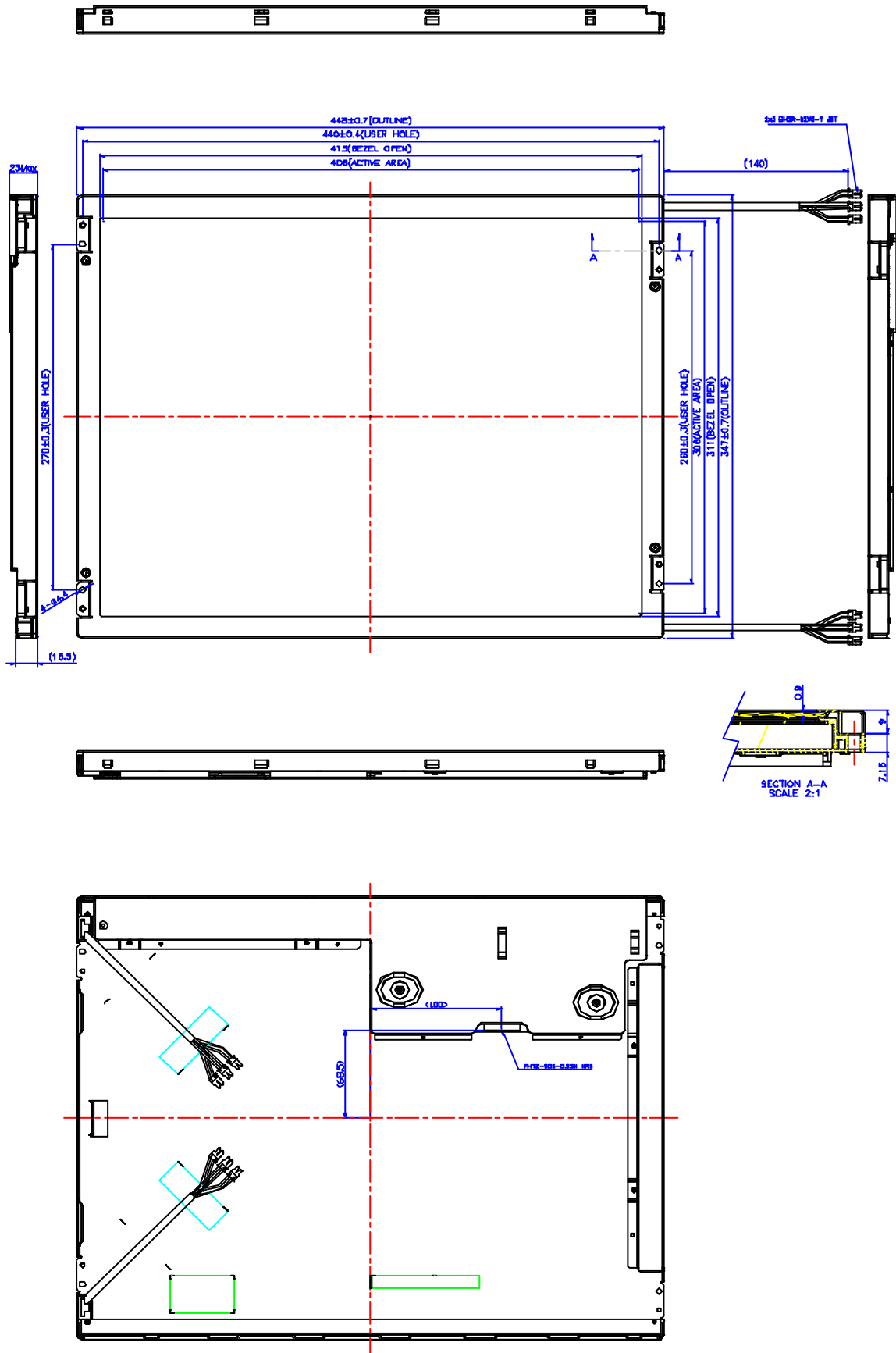


Fig.1 LCM outline dimension

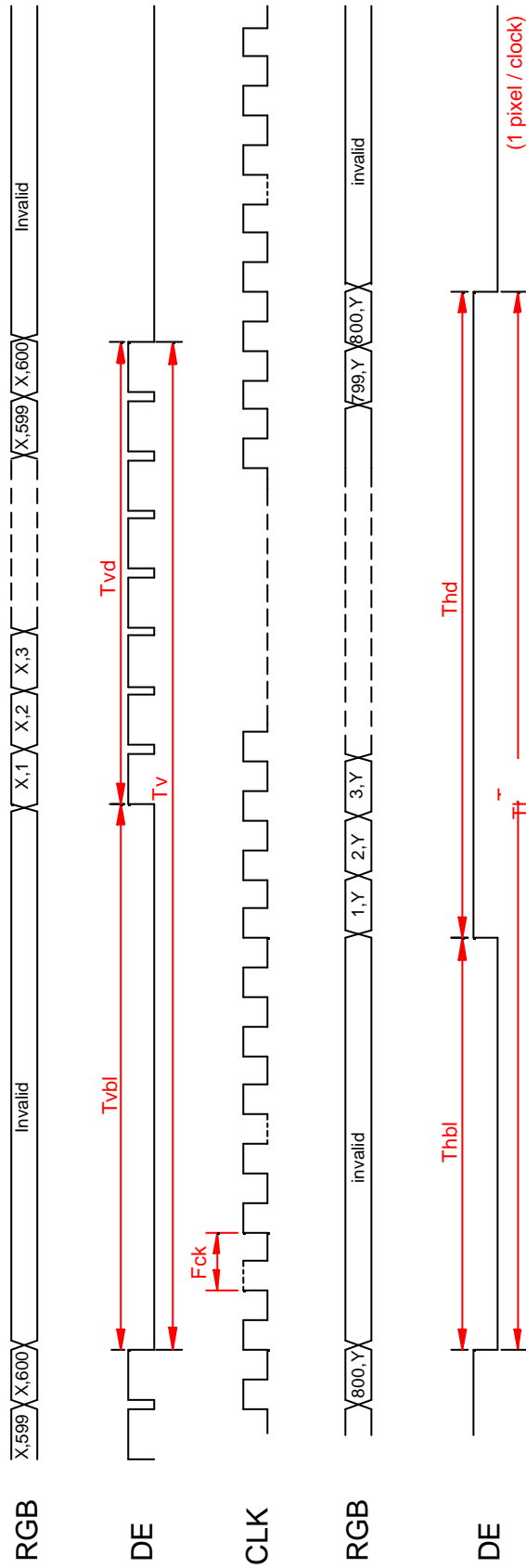


Fig.2 Timing chart