

TPA Series Navigation Tact Switch for SMT



Features/Benefits

- One touch, 5 way switching
- Distinctive tactile feel for scanning and select functions
- Allows panel sealing
- Normally open momentary contacts
- Subminiature overall dimensions
- Push down to select possible in any position
- Pegs for better true positioning and improved strength relief
- RoHS compliant and compatible

Typical Applications

- Electronic devices requiring direct control on LCD display
- Cellular phones
- PDA
- Digital cameras
- GPS navigation systems
- Home entertainment systems
- Security

Construction

FUNCTION: Multi-directional momentary action
 CONTACT ARRANGEMENT: Make contact = SP, N.O.
 TERMINALS: Gullwing type for SMT
 IP50

Electrical

	Silver	Gold
MAXIMUM POWER:	1 VA	0.2 VA
MAXIMUM VOLTAGE:	24 V	24 V
MAXIMUM CURRENT DC:	50 mA	10 mA
MINIMUM CURRENT DC:	1 mA	1 mA

Mechanical

SHAFT DISPLACEMENT:
 Orthogonal 4 horizontal directions
 Vertical Push down
 TRAVEL TO MAKE:
 Orthogonal 0.35 mm±0.15 mm
 Push to select 0.25 mm±0.15 mm
 OPERATING FORCE:
 Scanning Orthogonal 1.8 N ± 0.5 N
 Push to select Vertical 4.0 N ± 0.8 N
 MAXIMUM APPLIED FORCE:
 Horizontal 40 N
 Vertical 20 N
 LIFE EXPECTANCY:
 Scanning 200,000 operations in each direction
 Push to select 200,000 operations

DIELECTRIC STRENGTH: 250 Vrms
 CONTACT RESISTANCE, INITIAL: 200 mΩ
 INSULATION RESISTANCE (100 VDC): 100 mΩ
 BOUNCE TIME: < 10 ms

Environmental

	Silver	Gold
OPERATING TEMPERATURE:	-40°C to +85°C	-40°C to +85°C
STORAGE TEMPERATURE:	-40°C to +85°C	-40°C to +85°C

Process

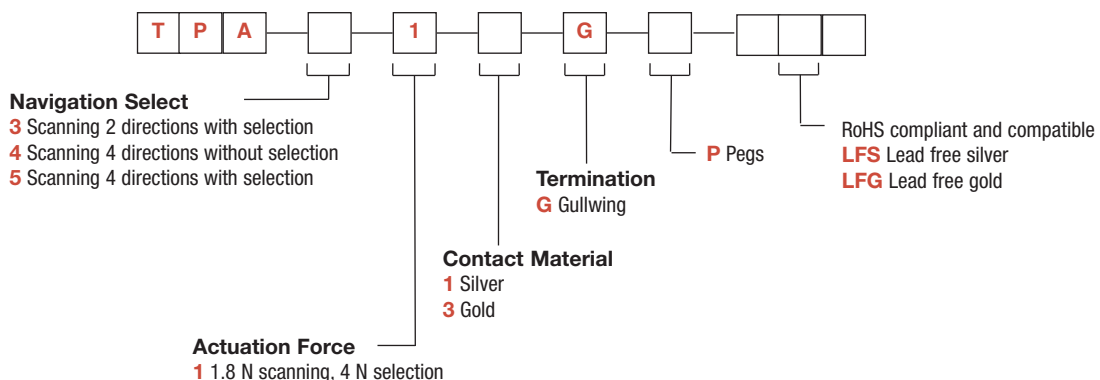
Compatible with infrared reflow, lead free soldering and pick and place SMT machines.

Note: Specifications listed above are for switches with standard options.
 For information concerning design integration, please contact your local ITT representative.

How To Order

Our easy build-a-switch concept allows you to mix and match options to create the switch you need. To order, select desired option from each category and place it in the appropriate box.

SWITCH

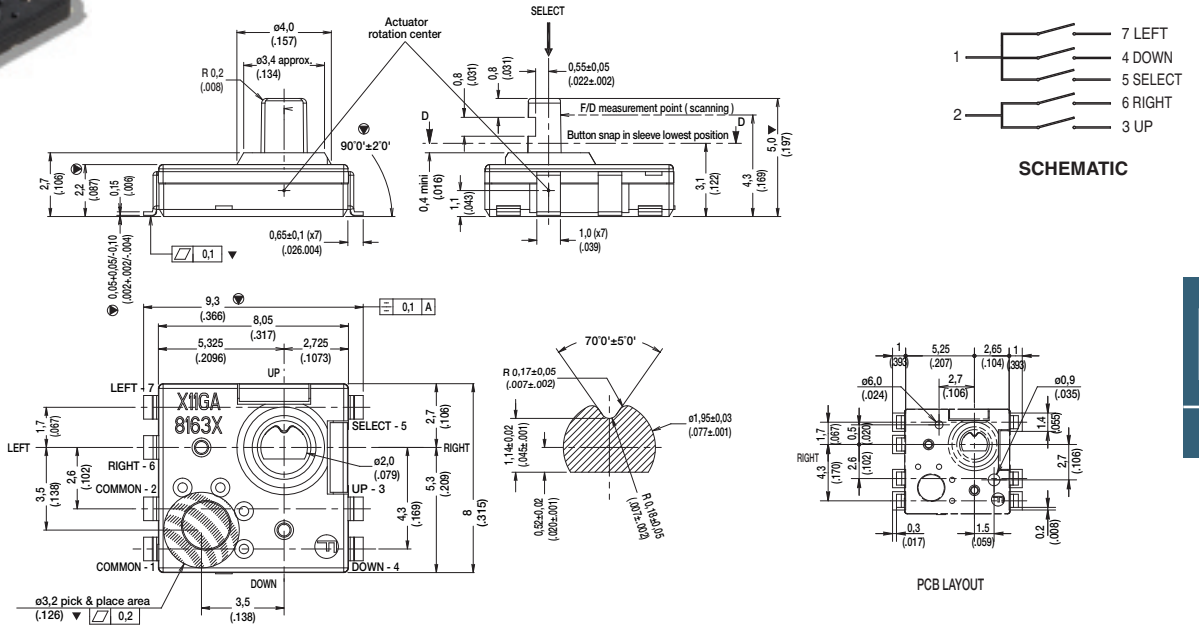


Dimensions are shown: mm (inch)
 Specifications and dimensions subject to change

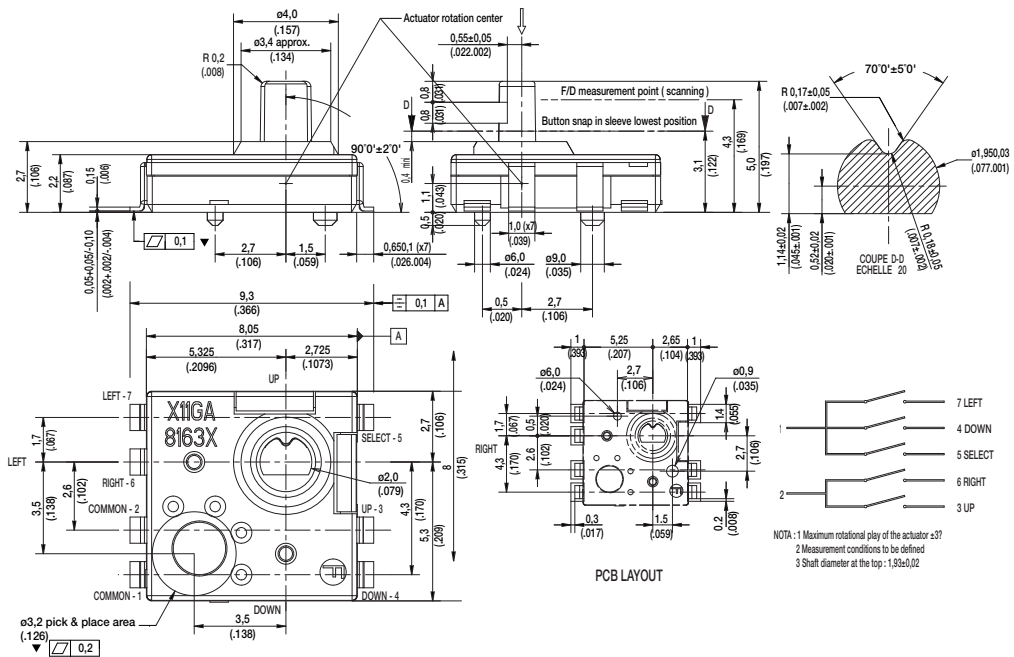
TPA Series Navigation Tact Switch for SMT

SERIES

TPA



TPA 511GP
WITH PEGS



Dimensions are shown: mm (inch)
Specifications and dimensions subject to change

TPA Series Navigation Tact Switch for SMT

NAVIGATION SELECT



OPTION CODE	ARRANGEMENT
3	Scanning 2 directions with selection
4	Scanning 4 directions without selection
5	Scanning 4 directions with selection

ACTUATION FORCE



1 1.8 N SCANNING, 4 N SELECTION

CONTACT MATERIAL



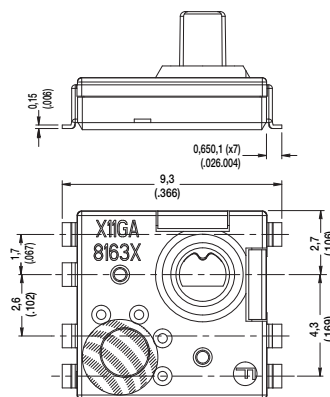
OPTION CODE	MATERIAL
1	SILVER
3	GOLD

* Note: See Technical Data section of this catalog for RoHS compliant and compatible definition and specifications.

TERMINATION

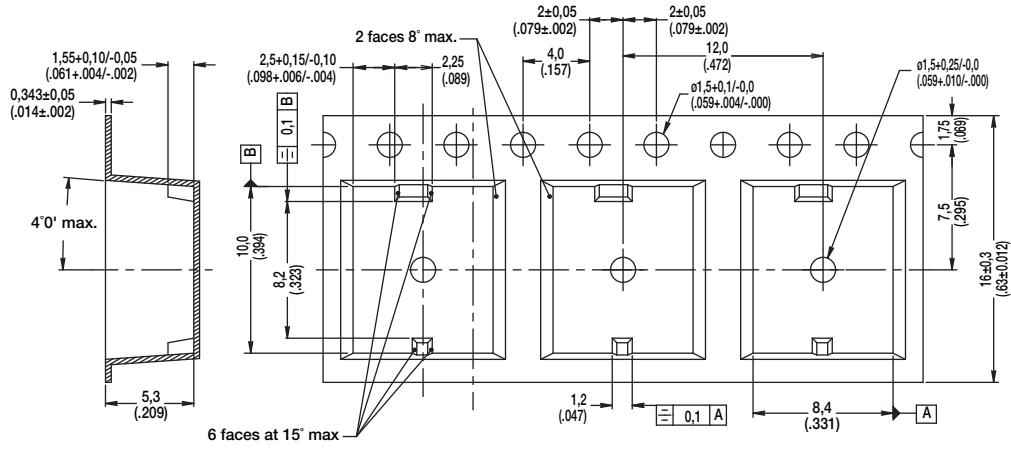


G GULLWING



TPA Series Navigation Tact Switch for SMT

TAPE & REEL



Navigation