

24×48 dot matrix unit

LUM-115HML300

The LUM-115HML300 is a 24×48 dot matrix display which can be used in a wide range of applications, including alphabet, numeric, symbol and graphical displays. A large display can be easily created by arranging a number of these dot matrix displays in an array, and they can be applied to a variety of display purposes. A custom LSI controller has display data memory for two screens, and data for each screen can be written and displayed in turn.

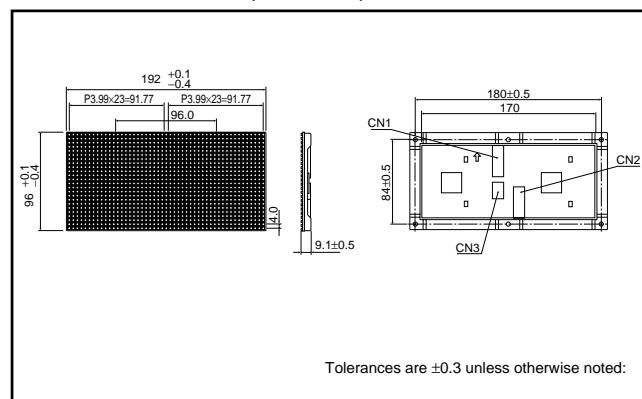
●Applications

Light source for displays

●Features

- 1) 24×48 dot matrix.
Shape of emitting section : □2.1×2.3
- 2) Dimensions : 96mm×192mm
- 3) Clear display.
- 4) Three-color display is possible
(red, green, and orange).
- 5) 1 / 24 duty dynamic scan method.
- 6) Ultra-thin shape of 9.1mm, light weight of 180g, and wide directional characteristics of 100 degrees.

●External dimensions (Units : mm)



●Selection guide

Display Type	Chip LED
Type	LUM-115HML300

●Specifications

For specifications, refer to "LUM unit series".

(www.rohm.com/products/databook/dp/pdf/lum-unit.pdf)