

PLEASE CHECK WWW.MOLEX.COM FOR LATEST PART INFORMATION

Part Number: **0482040001**

Status: **Active**

Description: Universal Serial Bus (USB) Shielded I/O Receptacle, Type A Upright Right Angle, Reverse Mount, Solder Tail Length 2.90mm (.114"), 3.70mm (.146") Beveled Metal Pins, PCB Thickness 1.60mm (.063"), 0.76µm (30µ") Gold (Au) Plating, Lead Free

Documents:

[3D Model](#)

[Drawing \(PDF\)](#)

[Product Specification PS-48204-001 \(PDF\)](#)

[RoHS Certificate of Compliance \(PDF\)](#)

General

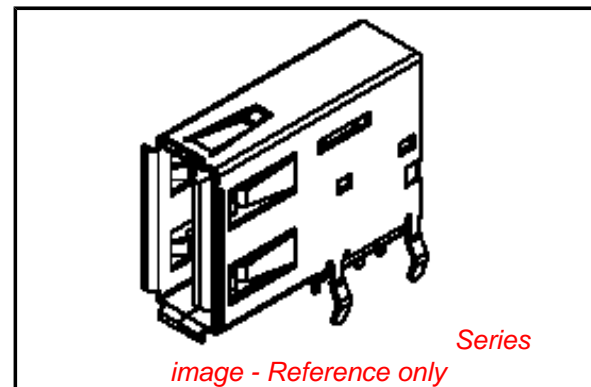
Product Family	I/O Connectors
Series	48204
Application	Wire-to-Board
Comments	Reverse Mount Type Beveled Metal Pin Length: 3.70mm (.146")
Component Type	Receptacle
Product Name	USB
Type	A

Physical

Boot Color	N/A
Circuits (Loaded)	4
Circuits (maximum)	4
Gender	Receptacle
Lock to Mating Part	Yes
Material - Plating Mating	Gold
Material - Plating Termination	Tin
Number of Rows	4
Orientation	Upright
PC Tail Length (in)	0.114 In
PC Tail Length (mm)	2.90 mm
PCB Locator	Yes
PCB Retention	Yes
PCB Thickness Recommended (in)	0.063 In
PCB Thickness Recommended (mm)	1.60 mm
Packaging Type	Tray
Panel Mount	No
Pitch - Mating Interface (in)	0.000 In
Pitch - Mating Interface (mm)	0.00 mm
Pitch - Term. Interface (in)	0.000 In
Pitch - Term. Interface (mm)	0.00 mm
Plating min: Mating (µin)	30
Plating min: Mating (µm)	0.76
Polarized to Mating Part	Yes
Polarized to PCB	Yes
Ports	1
Surface Mount Compatible (SMC)	No
Temperature Range - Operating	-55°C to +85°C
Termination Interface: Style	Through Hole
Waterproof / Dustproof	No

Electrical

Current - Maximum per Contact	1.5A
Shield Type	Full Shield
Shielded	Yes



EU RoHS

**ELV and RoHS
Compliant**

REACH SVHC

Not Reviewed

Halogen-Free

Status

Not Halogen-Free

**Need more information on product
environmental compliance?**

Email productcompliance@molex.com
For a multiple part number RoHS Certificate of
Compliance, [click here](#)

Please visit the [Contact Us](#) section for any
non-product compliance questions.

China RoHS



Search Parts in this Series

48204Series

Mates With

USB Type A Plug

Voltage - Maximum 30V AC (RMS)/DC

Solder Process Data

Duration at Max. Process Temperature (seconds) 10
Lead-free Process Capability Wave Capable (TH only)
Max. Cycles at Max. Process Temperature 1
Process Temperature max. C 265

Material Info

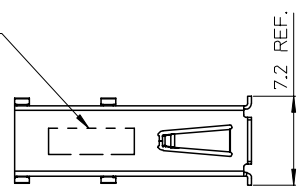
Reference - Drawing Numbers

Product Specification PS-48204-001
Sales Drawing SD-48204-001

This document was generated on 03/31/2010

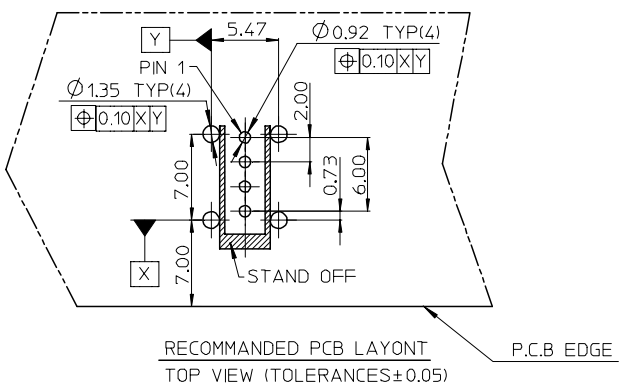
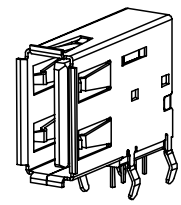
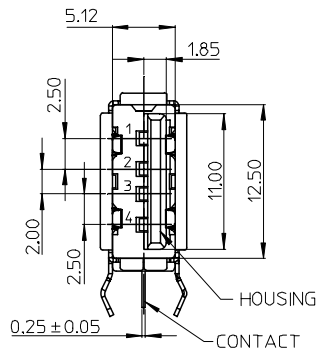
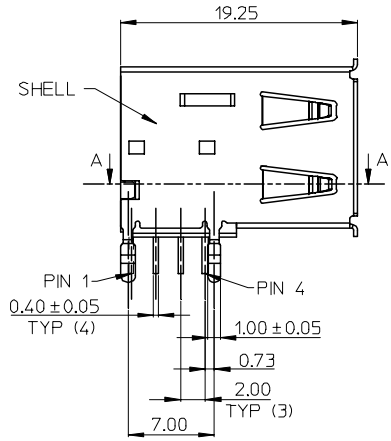
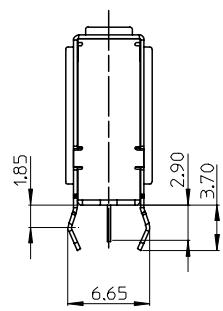
PLEASE CHECK WWW.MOLEX.COM FOR LATEST PART INFORMATION

MOLEX LOGO AND DATE CODE



NOTES:

- 1.MATERIAL:
SHELL: BRASS
REAR SHIELD: SPCC
HOUSING:THERMOPLASTIC POLYESTER, GLASS FIBER FILLED, UL94V-0, COLOR BLACK.
CONTACT: PHOSPHOR BRONZE
- 2.PLATING:
TERMINAL:
CONTACT AREA:GOLD(Au), THICKNESS=30 MICROINCH MINIMUM.
SOLDER TAIL:TIN (Sn), ALLOY,THICKNESS=120 MICROINCH MINIMUM.
UNDER PLATED:NICKEL(Ni).
- METAL SHELL:
NICKEL(Ni),THICKNESS=120 MICROINCH MINIMUM.
UNDER PLATE: COPPER(Cu).
- 3.RECOMMENDED PCB THICKNESS:1.60mm±0.05mm
- 4.PRODUCT SPECIFICATION: PS-48204-001
- 5.PACKAGE: PK-48204-001
- 6.TEST SUMMARY: TS-48204-001



NEW RELEASE EC NO: SH2005-0330 DRWN:ALLIN 2005/07/21 CHKD: 2005/07/21 APPR:WMSCHANG 2005/07/21	QUALITY SYMBOLS	GENERAL TOLERANCES (UNLESS SPECIFIED)	DIMENSION STYLE	SCALE	DESIGN UNITS	THIRD ANGLE PROJECTION
	$\nabla=0$ $\sphericalangle=0$	mm INCH 4 PLACES ± --- ± --- 3 PLACES ± --- ± --- 2 PLACES ± 0.25 ± --- 1 PLACE ± 0.25 ± --- ANGULAR ± 3 °	MM ONLY	1:1	METRIC	
			DRAWN BY DATE	TITLE		
			CHECKED BY DATE	MOLEX INCORPORATED		
			APPROVED BY DATE	DOCUMENT NO.		
			WILSON CHANG 2005/01/25	SD-48204-001		
			MATERIAL NO.	SHEET NO.		
			48204-0001	1 OF 1		
		DRAFT WHERE APPLICABLE MUST REMAIN WITHIN DIMENSIONS	THIS DRAWING CONTAINS INFORMATION THAT IS PROPRIETARY TO MOLEX INCORPORATED AND SHOULD NOT BE USED WITHOUT WRITTEN PERMISSION			