

16-Bit/20-Bit Multi-Range ADC with 4-Bit Latch

Features

- Delta-Sigma A/D Converter
 - Linearity Error: 0.0015%FS
 - Noise Free Resolution: 18-bits
- Bipolar/Unipolar Input Ranges
 - 25 mV, 55 mV, 100 mV, 1 V, 2.5 V and 5 V
- Chopper Stabilized Instrumentation Amplifier
- On-Chip Charge Pump Drive Circuitry
- 4-Bit Output Latch
- Simple three-wire serial interface
 - SPI™ and Microwire™ Compatible
 - Schmitt Trigger on Serial Clock (SCLK)
- Programmable Output Word Rates
 - 3.76 Hz to 202Hz (XIN = 32.768 kHz)
 - 11.47 Hz to 616 Hz (XIN = 100 kHz)
- Output Settles in One Conversion Cycle
- Simultaneous 50/60 Hz Noise Rejection
- System and Self-Calibration with Read/Write Registers
- Single +5 V Analog Supply
+3.0 V or +5 V Digital Supply
- Low Power Mode Consumption: 4 mW
 - 1.8 mW in 1 V, 2.5 V, and 5 V Input Ranges

General Description

The 16-bit CS5525 and the 20-bit CS5526 are highly integrated $\Delta\Sigma$ A/D converters which include an instrumentation amplifier, a PGA (programmable gain amplifier), eight digital filters, and self and system calibration circuitry.

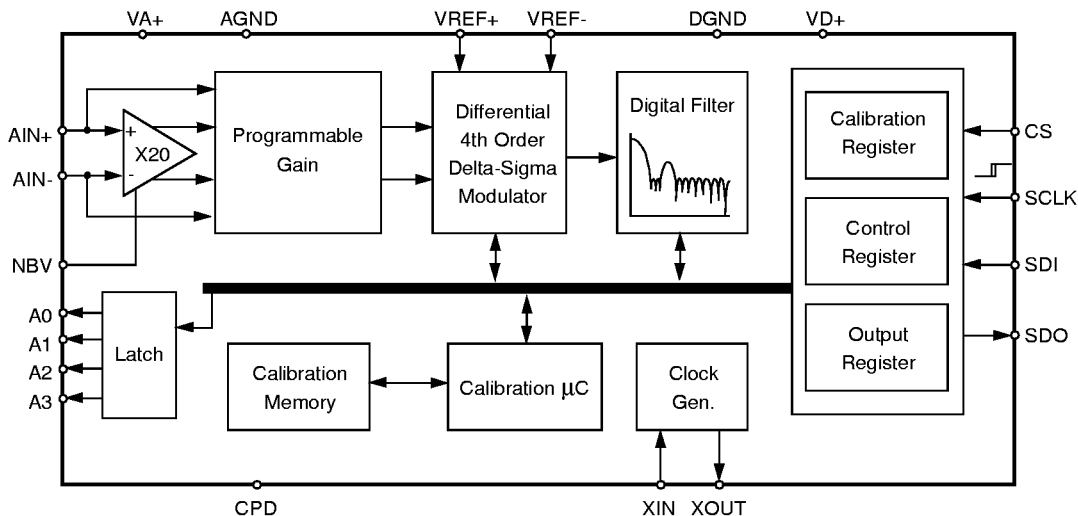
The converters are designed to provide their own negative supply which enables their on-chip instrumentation amplifiers to measure bipolar ground-referenced signals $\leq \pm 100$ mV. By directly supplying NBV with -2.5 V and with VA+ at 5 V, ± 2.5 V signals (with respect to ground) can be measured.

The digital filters provide programmable output update rates between 3.76 Hz to 202 Hz (XIN = 32.768 kHz). Output word rates can be increased by approximately 3X by using XIN = 100 kHz. Each filter is designed to settle to full accuracy for its output update rate in one conversion cycle. The filters with word rates of 15 Hz or less (XIN = 32.768 kHz) reject both 50 and 60 Hz (± 3 Hz) line interference simultaneously.

Low power, single conversion settling time, programmable output rates, and the ability to handle negative input signals make these single supply products ideal solutions for isolated and non-isolated applications.

ORDERING INFORMATION

See page 26.



ANALOG CHARACTERISTICS ($T_A = 25\text{ }^\circ\text{C}$; $V_{A+}, V_{D+} = 5\text{ V} \pm 5\%$; $V_{REF+} = 2.5\text{ V}$, $V_{REF-} = \text{AGND}$, $NB_V = -2.1\text{ V}$, $F_{CLK} = 32.768\text{ kHz}$, OVR (Output Word Rate) = 15 Hz , Bipolar Mode, Input Range = $\pm 100\text{ mV}$; See Notes 1 and 2.)

Parameter	CS5525			CS5526			Unit	
	Min	Typ	Max	Min	Typ	Max		
Accuracy								
Linearity Error	-	± 0.0015	± 0.003	-	± 0.0007	± 0.0015	%FS	
No Missing Codes	16	-	-	20	-	-	Bits	
Bipolar Offset (Note 3)	-	± 1	± 2	-	± 16	± 32	LSB	
Unipolar Offset (Note 3)	-	± 2	± 4	-	± 32	± 64	LSB	
Offset Drift (Notes 3 and 4)	-	20	-	-	20	-	nV/ $^\circ\text{C}$	
Bipolar Gain Error	-	± 8	± 31	-	± 8	± 31	ppm	
Unipolar Gain Error	-	± 16	± 62	-	± 16	± 62	ppm	
Gain Drift (Note 4)	-	1	3	-	1	3	ppm/ $^\circ\text{C}$	
Voltage Reference Input								
Range (VREF+) - (VREF-)	1	2.5	3.0	1	2.5	3.0	V	
Common Mode Rejection	dc	-	110	-	-	110	-	dB
	50, 60 Hz	-	130	-	-	130	-	dB
Input Capacitance	-	16	-	-	16	-	pF	
CVF Current (Note 5)	-	0.6	-	-	0.6	-	$\mu\text{A/V}$	

- Notes: 1. Applies after system calibration at any temperature within $-40\text{ }^\circ\text{C} \sim +85\text{ }^\circ\text{C}$.
 2. Specifications guaranteed by design, characterization, and/or test.
 3. Specification applies to the device only and does not include any effects by external parasitic thermocouples. LSB = LSB_{16} for the CS5525, and LSB_{20} for the CS5526.
 4. Drift over specified temperature range after calibration at power-up at $25\text{ }^\circ\text{C}$.
 5. See the section of the data sheet which discusses input models on page 15.

RMS NOISE (Notes 6 and 7)

Output Rate (Hz)	-3 dB Filter Frequency	Input Range, (Bipolar/Unipolar Mode)					
		25 mV	55 mV	100 mV	1 V	2.5 V	5 V
3.76	3.27	90 nV	90 nV	130 nV	1.0 μV	2.0 μV	4.0 μV
7.51	6.55	110 nV	130 nV	190 nV	1.5 μV	3.0 μV	7 μV
15.0	12.7	170 nV	200 nV	250 nV	2.0 μV	5.0 μV	10 μV
30.1	25.4	250 nV	300 nV	500 nV	4.0 μV	10 μV	15 μV
60.0	50.4	500 nV	1.0 μV	1.5 μV	15 μV	45 μV	85 μV
123.2 (Note 8)	103.6	2.0 μV	4.0 μV	8.0 μV	72 μV	190 μV	350 μV
168.9 (Note 8)	141.3	10 μV	20.0 μV	30 μV	340 μV	900 μV	2.0 mV
202.3 (Note 8)	169.2	30 μV	55 μV	105 μV	1.1 mV	2.4 mV	5.3 mV

- Notes: 6. Wideband noise aliased into the baseband. Referred to the input. Typical values shown for $25\text{ }^\circ\text{C}$.
 7. For Peak-to-Peak Noise multiply by 6.6 for all ranges and output rates.
 8. For input ranges $< 100\text{ mV}$ and output word rates $> 60\text{ Hz}$, 32.768 kHz chopping frequency is used. Specifications are subject to change without notice.

ANALOG CHARACTERISTICS (Continued)

Parameter		Min	Typ	Max	Unit
Analog Input					
Common Mode + Signal on AIN+ or AIN- NBV = -1.8 to -2.5 V	Bipolar/Unipolar Mode Range = 25 mV, 55 mV, or 100 mV	-0.150	-	0.950	V
	Range = 1 V, 2.5 V, or 5 V	NBV	-	VA+	V
NBV = AGND	Range = 25 mV, 55 mV, or 100 mV	1.85	-	2.65	V
	Range = 1 V, 2.5 V, or 5 V	0.0	-	VA+	V
Common Mode Rejection	dc	-	120	-	dB
	50, 60 Hz	-	120	-	dB
Input Capacitance		-	10	-	pF
CVF Current on AIN+ or AIN- (Note 5)	Range = 25 mV, 55 mV, or 100 mV	-	100	300	pA
	Range = 1 V, 2.5 V, or 5 V	-	1.2	-	μA/V
System Calibration Specifications					
Full Scale Calibration Range	Bipolar/Unipolar Mode (Note 9)				
	25 mV	17.5	-	32.5	mV
	55 mV	38.5	-	71.5	mV
	100 mV	70	-	105	mV
	1 V	0.70	-	1.30	V
	2.5 V	1.75	-	3.25	V
5 V	3.50	-	VA+	V	
Offset Calibration Range	Bipolar/Unipolar Mode				
	25 mV	-	-	±12.5	mV
	55 mV	-	-	±27.5	mV
	100 mV	-	-	±50	mV
	1 V	-	-	±0.5	V
	2.5 V	-	-	±1.25	V
5 V	-	-	±2.50	V	
Power Supplies					
DC Power Supply Currents (Normal Mode)	I _{A+}	-	1.3	1.7	mA
	I _{D+}	-	15	30	μA
	I _{NBV}	-	400	550	μA
Power Consumption	Normal Mode (Note 11)	-	7.5	10	mW
	Low Power Mode	-	4.0	6.5	mW
	Standby	-	1.2	-	mW
	Sleep	-	500	-	μW
Power Supply Rejection	dc Positive Supplies	-	95	-	dB
	dc NBV	-	110	-	dB

Notes: 9. The minimum Full Scale Calibration Range (FSCR) is limited by the maximum allowed gain register value (with margin). The maximum FSCR is limited by the ΔΣ modulator's 1's density range.

10. The maximum full scale signal can be limited by saturation of circuitry within the internal signal path.

11. All outputs unloaded. All input CMOS levels.

5 V DIGITAL CHARACTERISTICS ($T_A = 25\text{ }^\circ\text{C}$; $V_{A+}, V_{D+} = 5\text{ V} \pm 5\%$; $GND = 0$;
See Notes 2 and 12.)

Parameter	Symbol	Min	Typ	Max	Unit
High-Level Input Voltage All Pins Except XIN and SCLK XIN SCLK	V_{IH}	0.6 V_{D+}	-	-	V
		3.5	-	V_{D+}	V
		$(V_{D+}) - 0.45$	-	-	V
Low-Level Input Voltage All Pins Except XIN and SCLK XIN SCLK	V_{IL}	-	-	0.8	V
		0.0	-	1.5	V
		-	-	0.6	V
High-Level Output Voltage All Pins Except CPD and SDO (Note 13) CPD, $I_{out} = -4.0\text{ mA}$ SDO, $I_{out} = -5.0\text{ mA}$	V_{OH}	$(V_{A+}) - 1.0$	-	-	V
		$(V_{D+}) - 1.0$	-	-	V
		$(V_{D+}) - 1.0$	-	-	V
Low-Level Output Voltage All Pins Except CPD and SDO, $I_{out} = 1.6\text{ mA}$ CPD, $I_{out} = 2\text{ mA}$ SDO, $I_{out} = 5.0\text{ mA}$	V_{OL}	-	-	0.4	V
		-	-	0.4	V
		-	-	0.4	V
Input Leakage Current	I_{in}	-	± 1	± 10	μA
3-State Leakage Current	I_{OZ}	-	-	± 10	μA
Digital Output Pin Capacitance	C_{out}	-	9	-	pF

Notes: 12. All measurements performed under static conditions.

13. $I_{out} = -100\text{ }\mu\text{A}$ unless stated otherwise. ($V_{OH} = 2.4\text{ V}$ @ $I_{out} = -40\text{ }\mu\text{A}$.)

3.0 V DIGITAL CHARACTERISTICS ($T_A = 25\text{ }^\circ\text{C}$; $V_{A+} = 5\text{ V} \pm 5\%$; $V_{D+} = 3.0\text{ V} \pm 10\%$; $GND = 0$;
See Notes 2 and 12.)

Parameter	Symbol	Min	Typ	Max	Unit
High-Level Input Voltage All Pins Except XIN and SCLK XIN SCLK	V_{IH}	0.6 V_{D+}	-	-	V
		0.54 V_{A+}	-	V_{D+}	V
		$(V_{D+}) - 0.45$	-	-	V
Low-Level Input Voltage All Pins Except XIN and SCLK XIN SCLK	V_{IL}	-	-	0.16 V_{D+}	V
		0.0	-	1.5	V
		-	-	0.6	V
High-Level Output Voltage All Pins Except CPD and SDO, $I_{out} = -400\text{ }\mu\text{A}$ CPD, $I_{out} = -4.0\text{ mA}$ SDO, $I_{out} = -5.0\text{ mA}$	V_{OH}	$(V_{A+}) - 0.3$	-	-	V
		$(V_{D+}) - 1.0$	-	-	V
		$(V_{D+}) - 1.0$	-	-	V
Low-Level Output Voltage All Pins Except CPD and SDO, $I_{out} = 400\text{ }\mu\text{A}$ CPD, $I_{out} = 2\text{ mA}$ SDO, $I_{out} = 5.0\text{ mA}$	V_{OL}	-	-	0.3	V
		-	-	0.4	V
		-	-	0.4	V
Input Leakage Current	I_{in}	-	± 1	± 10	μA
3-State Leakage Current	I_{OZ}	-	-	± 10	μA
Digital Output Pin Capacitance	C_{out}	-	9	-	pF

DYNAMIC CHARACTERISTICS

Parameter	Symbol	Ratio	Unit
Modulator Sampling Frequency	f_s	XIN/2	Hz
Filter Settling Time to 1/2 LSB (Full Scale Step)	t_s	$1/f_{out}$	s

RECOMMENDED OPERATING CONDITIONS (AGND, DGND = 0 V; See Note 14.)

Parameter	Symbol	Min	Typ	Max	Unit
DC Power Supplies	Positive Digital	2.7	5.0	5.25	V
	Positive Analog	4.75	5.0	5.25	V
Analog Reference Voltage (VREF+) - (VREF-)	VRef _{diff}	1.0	2.5	3.0	V
Negative Bias Voltage	NBV	-1.8	-2.1	-2.5	V

Notes: 14. All voltages with respect to ground.

ABSOLUTE MAXIMUM RATINGS (AGND, DGND = 0 V; See Note 14.)

Parameter	Symbol	Min	Max	Unit
DC Power Supplies (Note 15)	Positive Digital	-0.3	+6.0	V
	Positive Analog	-0.3	+6.0	V
Negative Bias Voltage Negative Potential	NBV	+0.3	-3.0	V
Input Current, Any Pin Except Supplies (Note 16 and 17)	I _{IN}	-	±10	mA
Output Current	I _{OUT}	-	±25	mA
Power Dissipation (Note 18)	PDN	-	500	mW
Analog Input Voltage	VREF pins	-0.3	(VA+) + 0.3	V
	AIN Pins	NBV - 0.3	(VA+) + 0.3	V
Digital Input Voltage	V _{IND}	-0.3	(VD+) + 0.3	V
Ambient Operating Temperature	T _A	-40	85	°C
Storage Temperature	T _{stg}	-65	150	°C

Notes: 15. No pin should go more negative than NBV - 0.3 V.

16. Applies to all pins including continuous overvoltage conditions at the analog input (AIN) pins.

17. Transient current of up to 100 mA will not cause SCR latch-up. Maximum input current for a power supply pin is ±50 mA.

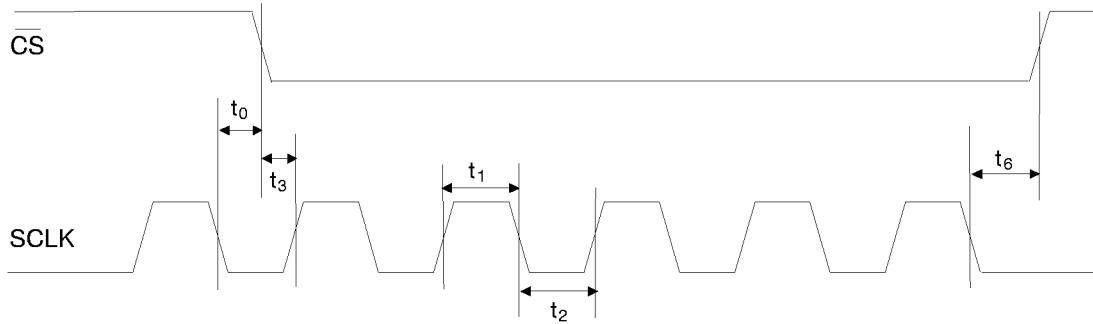
18. Total power dissipation, including all input currents and output currents.

WARNING: Operation at or beyond these limits may result in permanent damage to the device.
Normal operation is not guaranteed at these extremes.

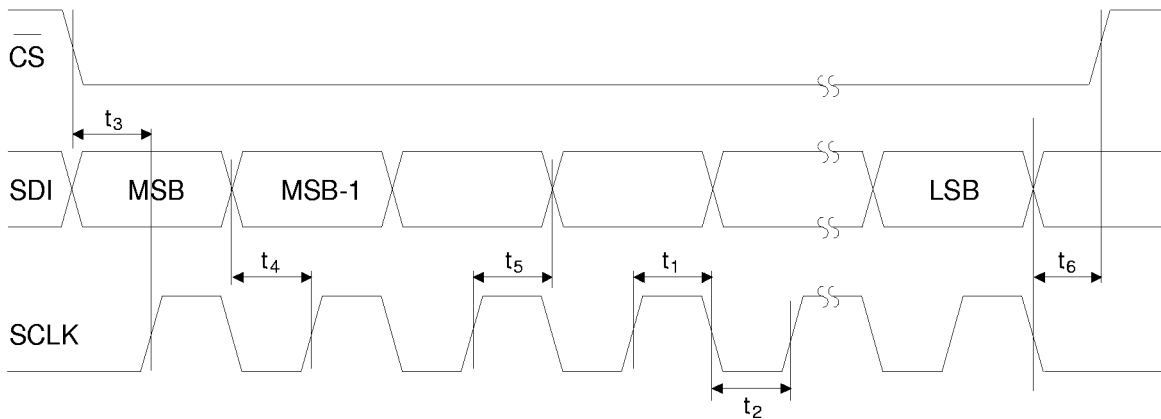
SWITCHING CHARACTERISTICS ($T_A = 25\text{ }^\circ\text{C}$; $V_{A+} = 5\text{ V} \pm 5\%$; $V_{D+} = 3.0\text{ V} \pm 10\%$ or $5\text{ V} \pm 5\%$;
Input Levels: Logic 0 = 0 V, Logic 1 = V_{D+} ; $C_L = 50\text{ pF}$.)

Parameter	Symbol	Min	Typ	Max	Unit
Master Clock Frequency (Note 19) Internal Clock External Clock	XIN	30 30	32.768 32.768	36 100	kHz
Master Clock Duty Cycle		40	-	60	%
Rise Times (Note 20) Any Digital Input Except SCLK SCLK Any Digital Output	t_{rise}	- - -	- - 50	1.0 100 -	μs μs ns
Fall Times (Note 20) Any Digital Input Except SCLK SCLK Any Digital Output	t_{fall}	- - -	- - 50	1.0 100 -	μs μs ns
Start-up					
Oscillator Start-up Time XTAL = 32.768 kHz (Note 21)	t_{ost}	-	500	-	ms
Power-on Reset Period	t_{por}	-	1003	-	XIN cycles
Serial Port Timing					
Serial Clock Frequency	SCLK	0	-	2	MHz
SCLK Falling to $\overline{\text{CS}}$ Falling for continuous running SCLK (Note 22)	t_0	100	-	-	ns
Serial Clock Pulse Width High Pulse Width Low	t_1 t_2	250 250	- -	- -	ns ns
SDI Write Timing					
$\overline{\text{CS}}$ Enable to Valid Latch Clock	t_3	50	-	-	ns
Data Set-up Time prior to SCLK rising	t_4	50	-	-	ns
Data Hold Time After SCLK Rising	t_5	100	-	-	ns
SCLK Falling Prior to $\overline{\text{CS}}$ Disable	t_6	100	-	-	ns
SDO Read Timing					
$\overline{\text{CS}}$ to Data Valid	t_7	-	-	150	ns
SCLK Falling to New Data Bit	t_8	-	-	150	ns
$\overline{\text{CS}}$ Rising to SDO Hi-Z	t_9	-	-	150	ns

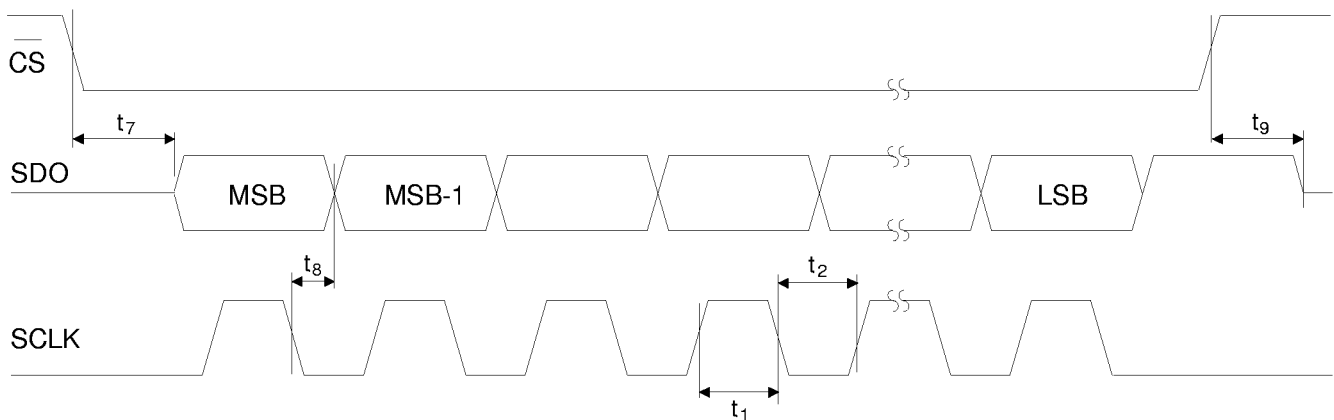
- Notes: 19. Device parameters are specified with a 32.768 kHz clock; however, clocks up to 100 kHz can be used for increased throughput.
20. Specified using 10% and 90% points on waveform of interest. Output loaded with 50 pF.
21. Oscillator start-up time varies with crystal parameters. This specification does not apply when using an external clock source.
22. Applicable when SCLK is continuously running.



Continuous Running SCLK Timing (Not to Scale)



SDI Write Timing (Not to Scale)



SDO Read Timing (Not to Scale)

GENERAL DESCRIPTION

The CS5525 and CS5526 are 16-bit and 20-bit pin compatible converters which include a chopper-stabilized instrumentation amplifier input, and an on-chip programmable gain amplifier. They are both optimized for measuring low-level unipolar or bipolar signals in process control and medical applications.

The CS5525/26 also include a fourth order delta-sigma modulator, a calibration microcontroller, eight digital filters, a 4-bit analog latch, and a serial port. The digital filters provide any one of eight different output update rates.

The CS5525/26 include a CPD (Charge Pump Drive) output (shown in Figure 1). CPD provides a negative bias voltage to the on-chip instrumentation amplifier when used with a combination of external diodes and capacitors. This enables the CS5525/26 to measure negative voltages with re-

spect to ground, making the converters ideal for thermocouple temperature measurements.

Theory of Operation

The CS5525/26 A/D converters are designed to operate from a single +5 V analog supply and provide several different input ranges. See the *Analog Characteristics* section on page 3 for details.

Figure 1 illustrates the CS5525/26 connected to generate their own negative bias supply using the on-chip CPD (Charge Pump Drive). This enables the CS5525/26 to measure ground referenced signals with magnitudes down to NBV (Negative Bias Voltage, approximately -2.1 V in this example). Figure 2 illustrates a charge pump circuit when the converters are powered from a +3.0 V digital supply. Alternatively, the negative bias supply can be generated from a negative supply voltage or a resistive divider as illustrated in Figure 3.

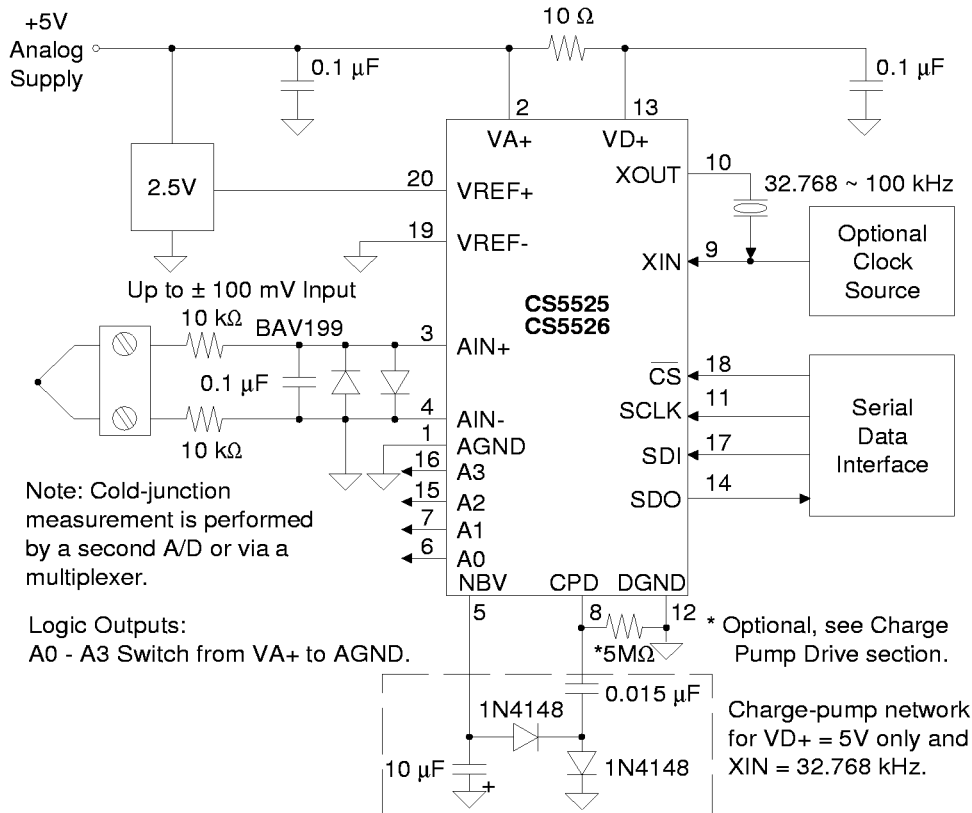


Figure 1. CS5525/26 Configured to use on-chip charge pump to supply NBV.

Figure 4 illustrates the CS5525/26 connected to measure ground referenced unipolar signals of a positive polarity using the 1 V, 2.5 V, and 5 V input voltage ranges on the converter. For the 25 mV, 55 mV, and 100 mV ranges the signal must have a common mode near +2.5 V (NBV = 0V).

The CS5525/26 are optimized for the measurement of thermocouple outputs, but they are also well suited for the measurement of ratiometric bridge transducer outputs. Figure 5 illustrates the CS5525/26 connected to measure the output of a ratiometric differential bridge transducer while operating from a single +5 V supply.

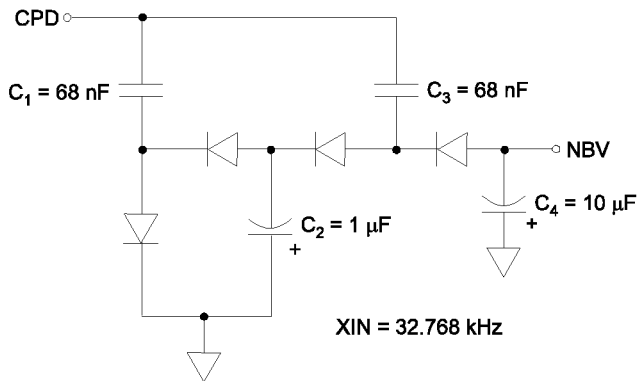


Figure 2. Charge Pump Drive Circuit for $VD+ = 3 V$.

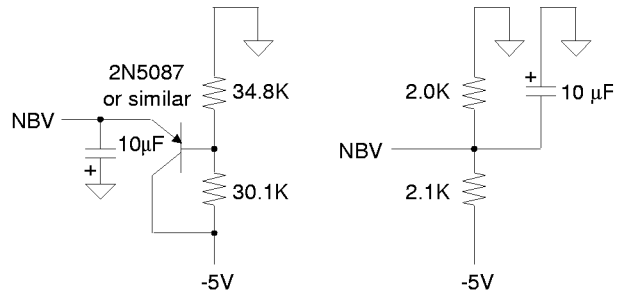


Figure 3. Alternate NBV Circuits.

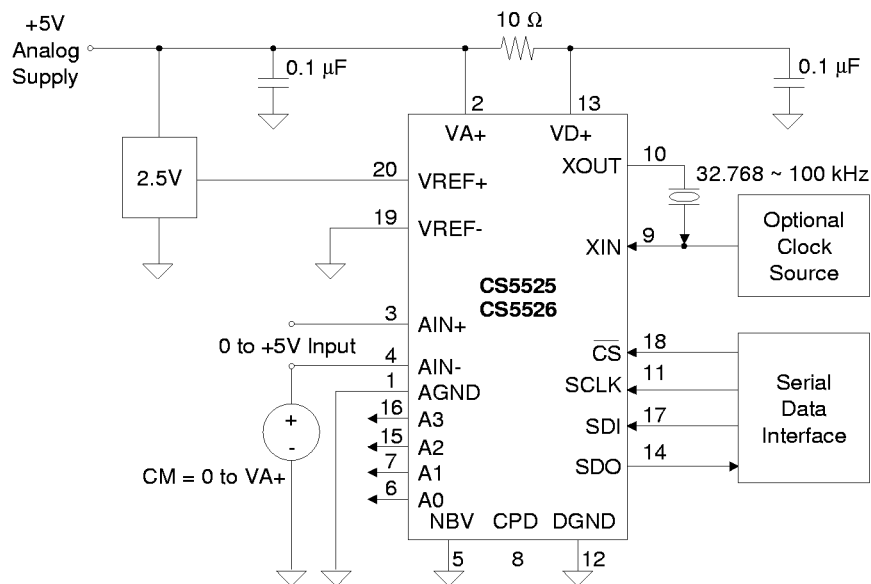


Figure 4. CS5525/26 Configured for ground-referenced Unipolar Signals.

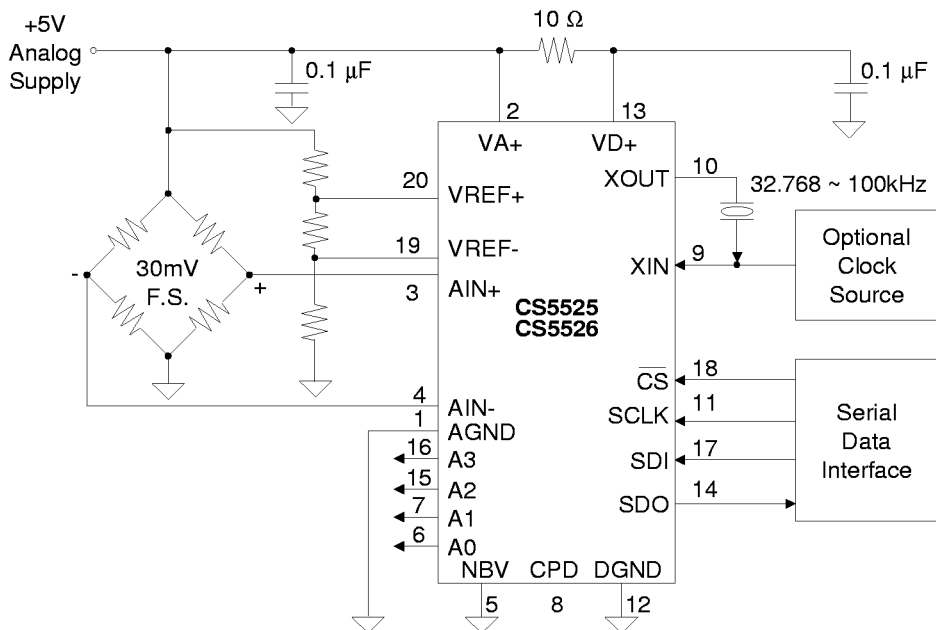


Figure 5. CS5525/26 Configured for Single Supply Bridge Measurement.

System Initialization

When power to the CS5525/26 is applied, they are held in a reset condition until their 32.768 kHz oscillators have started and their start-up counter-timer elapses. Due to the high Q of a 32.768 kHz crystal, the oscillators take 400-600 ms to start. The converter’s counter-timer counts no more than 1024 oscillator clock cycles to make sure the oscillator is fully stable. During this time-out period the serial port logic is reset and the RV (Reset Valid) bit in the configuration register is set. A reset can be initiated at any time by writing a logic 1 to the RS (Reset System) bit in the configuration register. This automatically sets the RV bit until the RS bit is written to logic 0, and the configuration register is read. After a reset, the on-chip registers are initialized to the following states and the converters are ready to perform conversions.

configuration register: 000040(H)
 offset register: 000000(H)
 gain register: 800000(H)

Command Operation

The CS5525/26 include a microcontroller with five registers used to control the converter. Each register is 24-bits in length except the 8-bit command register (command, configuration, offset, gain, and conversion data). After a system initialization or reset, the serial port is initialized to the command mode and the converter stays in this mode until a valid 8-bit command is received (the first 8-bits into the serial port). Table 1 lists all the valid commands. Once a valid 8-bit command (a read or a write command word) is received and interpreted by the command register, the serial port enters the data mode. In data mode the next 24 serial clock pulses shift data either into or out of the serial port (72 serial clock pulses are needed if set-up register is selected). See Table 2 for configuring the CS5525/26.

Reading/Writing On-Chip Registers

The CS5525/26's offset, gain, and configuration registers are read/writable while the conversion data register is read only.

To perform a read from a specific register, the R/\overline{W} bit of the command word must be a logic 1. The SC, CC, and PS/\overline{R} bits must be logic 0 and the CB (MSB) bit must be a logic 1. The register to be written is selected with the RSB2-RSB0 bits of the command word.

To perform a write to a specific register, the R/\overline{W} bit of the command word must be a logic 0. The SC,

CC, and PS/\overline{R} bits must be logic 0 and the CB (MSB) bit must be a logic 1. The register to be written is selected with the RSB2-RSB0 bits of the command word. Figure 6 illustrates the serial sequence necessary to write to, or read from the serial port.

If the Set-up Registers are chosen with the RSB2-RSB0 bits, the registers are read or written in the following sequence: Offset, Gain and Configuration. This is accomplished by following one 8-bit command word with three 24-bit data words for a total of 72 data bits.

Command Register

D7(MSB)	D6	D5	D4	D3	D2	D1	D0
CB	SC	CC	R/\overline{W}	RSB2	RSB1	RSB0	PS/\overline{R}

BIT	NAME	VALUE	FUNCTION
D7	Command Bit, CB	0	Null command (no operation). All command bits, including CB must be 0.
		1	Logic 1 for executable commands.
D6	Single Conversion, SC	0	Single Conversion not active.
		1	Perform a conversion.
D5	Continuous Conversions, CC	0	Continuous Conversions not active.
		1	Perform conversions continuously.
D4	R/\overline{W}	0	Write to selected register.
		1	Read from selected register.
D3-D1	Register Select Bit, RSB2-RSB0	000	Offset Register
		001	Gain Register
		010	Configuration Register
		011	Conversion Data Register (read only)
		100	Set-up Registers (Offset, Gain, Configuration)
		101	Reserved
		110	Reserved
D0	PS/\overline{R}	0	Run
		1	Power Save

Table 1. Command Set

Configuration Register

D23(MSB)	D22	D21	D20	D19	D18	D17	D16	D15	D14	D13	D12
A3	A2	A1	A0	NU	CFS	NU	LPM	WR2	WR1	WR0	U/B
D11	D10	D9	D8	D7	D6	D5	D4	D3	D2	D1	D0
G2	G1	G0	PD	RS	RV	PF	PSS	DF	CC2	CC1	CC0

BIT	NAME	VALUE		FUNCTION
D23-D20	Latch Outputs, A3-A0	0000	R*	Latch Output Pins A3-A0 mimic the D23-D20 Register bits.
D19	Not Used, NU	0	R	Must always be logic 0.
D18	Chop Frequency Select, CFS	0 1	R	256 Hz Amplifier chop frequency 32768 Hz Amplifier chop frequency
D17	Not Used, NU	0	R	Must always be logic 0.
D16	Low Power Mode, LPM	0 1	R	Normal Mode Reduced Power mode
D15-D13	Word Rate, WR2-0 Note: For XIN = 32.768kHz	000 001 010 011 100 101 110 111	R	15.0 Hz (2182 XIN cycles) 30.1 Hz (1090 XIN cycles) 60.0 Hz (546 XIN cycles) 123.2 Hz (266 XIN cycles) 168.9 Hz (194 XIN cycles) 202.3 Hz (162 XIN cycles) 3.76 Hz (8722 XIN cycles) 7.51 Hz (4362 XIN cycles)
D12	Unipolar/Bipolar, U/B	0 1	R	Bipolar Measurement mode Unipolar Measurement mode
D11-D9	Gain Bits, G2-G0	000 001 010 011 100 101 110/111	R	100 mV (assumes VREF = 2.5V) 55 mV 25 mV 1 V 5.0 V 2.5 V Not Used.
D8	Pump Disable, PD	0 1	R	Charge Pump Enabled For PD = 1, the CPD pin goes to a Hi-Z output state.
D7	Reset System, RS	0 1	R	Normal Operation Activate a Reset cycle. To return to Normal Operation write bit to zero.
D6	Reset Valid , RV	0 1	R	No reset has occurred or bit has been cleared (read only). Valid Reset has occurred. (Cleared when read.)
D5	Port Flag, PF	0 1	R	Port Flag mode inactive Port Flag mode active
D4	Power Save Select, PSS	0 1	R	Standby Mode (Oscillator active, allows quick power-up) Sleep Mode (Oscillator inactive)
D3	Done Flag, DF	0 1	R	Done Flag bit is cleared (read only). Calibration or Conversion cycle completed (read only).
D2-D0	Calibration Control Bits, CC2-CC0	000 001 010 011 100 101 110 111	R	Normal Operation (no calibration) Offset -- Self-Calibration Gain -- Self-Calibration Offset Self-Calibration followed by Gain Self-Calibration Not used. Offset -- System Calibration Gain -- System Calibration Not Used.

* R indicates the bit value after the part is reset

Table 2. Configuration Register

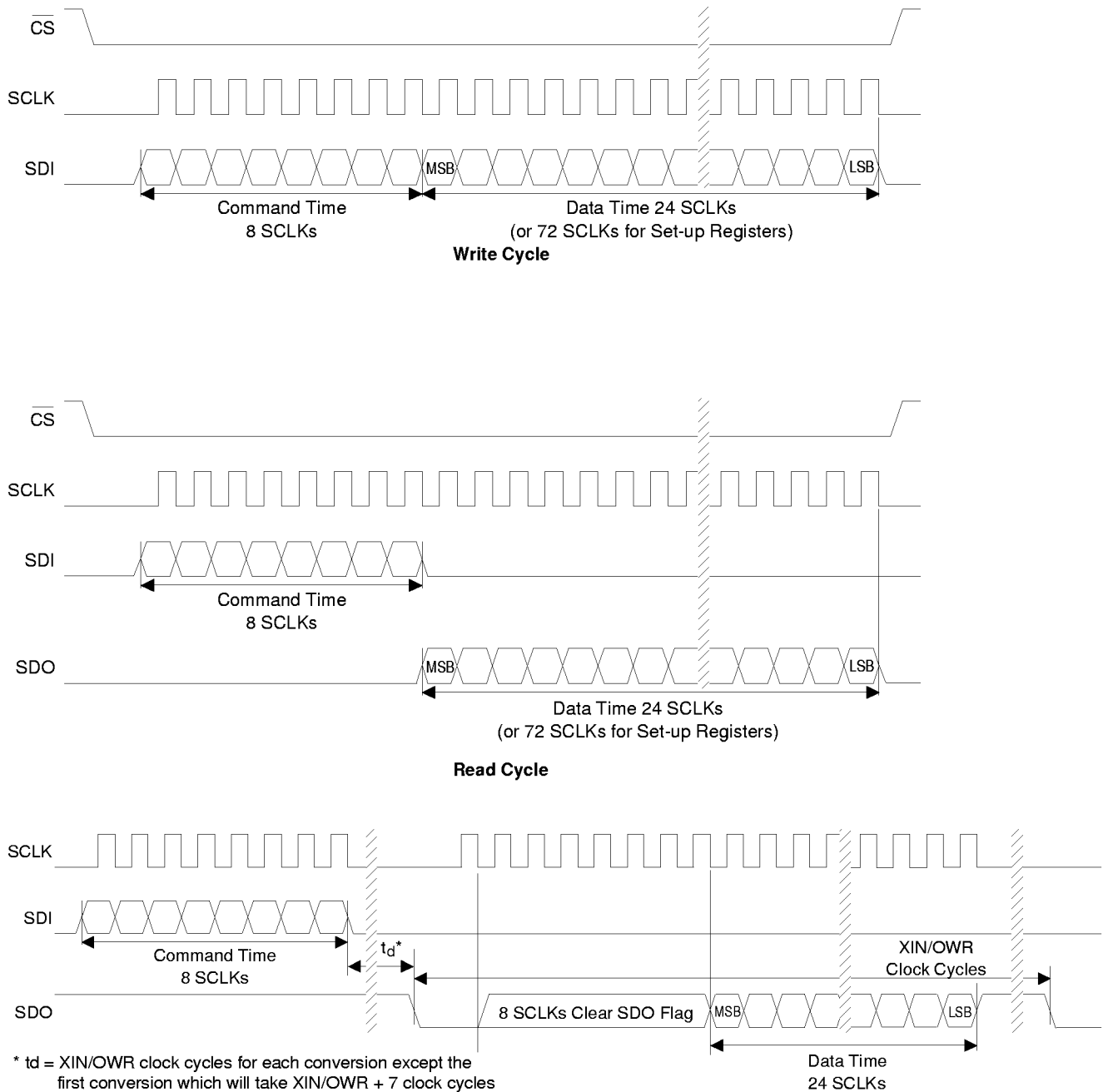


Figure 6. Command and Data Word Timing.

Analog Input

Figure 7 illustrates a block diagram of the analog input signal path inside the CS5525/26. The front end consists of a chopper-stabilized instrumentation amplifier with 20X gain and a programmable gain section. The instrumentation amplifier is powered from VA+ and from the NBV (Negative Bias Voltage) pin allowing the CS5525/26 to be operated in either of two analog input configurations. The NBV pin can be biased to a negative voltage between -1.8 V and -2.5 V, or tied to AGND. The choice of the operating mode for the NBV voltage depends upon the input signal and its common mode voltage.

For the 25 mV, 55 mV, and 100 mV input ranges, the input signals to AIN+ and AIN- are amplified by the 20X instrumentation amplifier. For ground referenced signals with magnitudes less than 100 mV, the NBV pin should be biased with -1.8 V to -2.5 V. If NBV is tied between -1.8 V and -2.5 V, the (Common Mode + Signal) input on AIN+ and AIN- must stay between -0.150 V and 0.950 V to ensure proper operation. Alternatively, NBV can be tied to AGND where the input (Common Mode + Signal) on AIN+ and AIN- must stay between 1.85 V and 2.65 V to ensure that the amplifier operates properly.

For the 1 V, 2.5 V, and 5 V input ranges, the instrumentation amplifier is bypassed and the input signals are directly connected to the Programmable Gain block. With NBV tied between -1.8 V and -2.5 V, the (Common Mode + Signal) input on AIN+ and AIN- must stay between NBV and VA+.

Alternatively, NBV can be tied to AGND where the input (Common Mode + Signal) on AIN+ and AIN- pins can span the entire range between AGND and VA+.

The CS5525/26 can accommodate full scale ranges other than 25 mV, 55 mV, 100 mV, 1 V, 2.5 V and 5 V by performing a system calibration within the limits specified. See the **Calibration** section for more details. Another way to change the full scale range is to increase or to decrease the voltage reference to other than 2.5 V. See the **Voltage Reference** section for more details.

Three factors set the operating limits for the input span. They include: instrumentation amplifier saturation, modulator 1's density, and a lower reference voltage. When the 25 mV, 55 mV or 100 mV range is selected, the input signal (including the common mode voltage and the amplifier offset voltage) must not cause the 20X amplifier to saturate in either its input stage or output stage. To prevent saturation the absolute voltages on AIN+ and AIN- must stay within the limits specified (refer to the '*Analog Input*' table on page 3). Additionally, the differential output voltage of the amplifier must not exceed 2.8 V. The equation

$$\text{ABS}(\text{VIN} + \text{VOS}) \times 20 = 2.8 \text{ V}$$

defines the differential output limit, where

$$\text{VIN} = (\text{AIN+}) - (\text{AIN-})$$

is the differential input voltage and VOS is the absolute maximum offset voltage for the instrumentation amplifier (VOS will not exceed 40 mV). If the

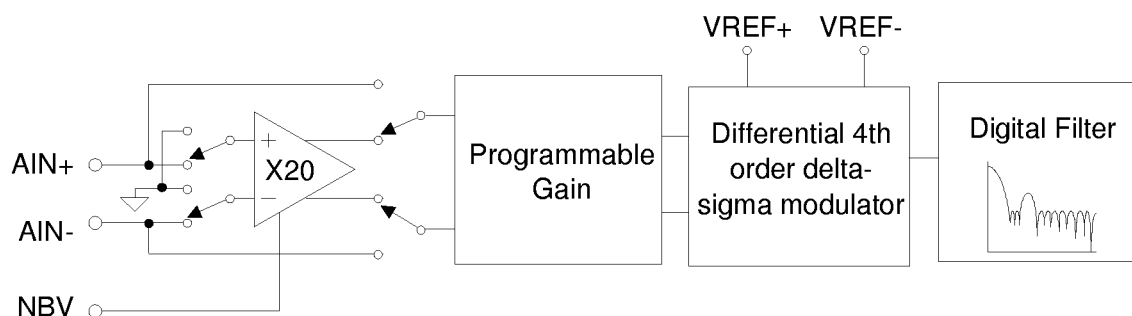


Figure 7. Block Diagram of Analog Signal Path

Input Range ⁽¹⁾	Max. Differential Output 20X Amplifier	VREF	Gain Factor	Δ - Σ Nominal ⁽¹⁾ Differential Input	Δ - Σ ⁽¹⁾ Max. Input
± 25 mV	2.8 V ⁽²⁾	2.5V	5	± 0.5 V	± 0.75 V
± 55 mV	2.8 V ⁽²⁾	2.5V	2.272727...	± 1.1 V	± 1.65 V
± 100 mV	2.8 V ⁽²⁾	2.5V	1.25	± 2.0 V	± 3.0 V
± 1.0 V	-	2.5V	2.5	± 1.0 V	± 1.5 V
± 2.5 V	-	2.5V	1.0	± 2.5 V	± 5.0 V
± 5.0 V	-	2.5V	0.5	± 5.0 V	0V, VA+

Note: 1. The converter's actual input range, the delta-sigma's nominal full scale input, and the delta-sigma's maximum full scale input all scale directly with the value of the voltage reference. The values in the table assume a 2.5 V VREF voltage.

Table 3. Relationship between Full Scale Input, Gain Factors, and Internal Analog Signal Limitations

differential output voltage from the amplifier exceeds 2.8 V, the amplifier may saturate, which will cause a measurement error.

The input voltage into the modulator must not cause the modulator to exceed a low of 20 percent or a high of 80 percent 1's density. The nominal full scale input span of the modulator (from 30 percent to 70 percent 1's density) is determined by the VREF voltage divided by the Gain Factor. See Table 3 to determine if the CS5525/26 are being used properly. For example, in the 55 mV range to determine the nominal input voltage to the modulator, divide VREF (2.5 V) by the Gain Factor (2.2727).

When a smaller voltage reference is used, the resulting code widths are smaller causing the converter output codes to exhibit more changing codes for a fixed amount of noise. Table 3 is based upon a VREF = 2.5 V. For other values of VREF, the values in Table 3 must be scaled accordingly.

Figure's 8 and 9 illustrate the input models for the AIN and VREF pins. The dynamic input current for each of the pins can be determined from the models shown and is dependent upon the setting of the CFS (Chop Frequency Select) bit. The effective input impedance for the AIN+ and AIN- pins remains constant for the three low level measurement ranges (25 mV, 55 mV, and 100 mV). The input current is lowest with the CFS bit cleared to logic 0.

Note: Residual noise appears in the converter's baseband for output word rates greater than 60 Hz if CFS is logic 0. By setting CFS to logic 1, the amplifier's chop frequency chops at 32768 Hz eliminating the residual noise, but increasing the current. Note that C=48pF is for input current modeling only. For physical input capacitance see 'Input Capacitance' specification under 'Analog Characteristics' on page 3.

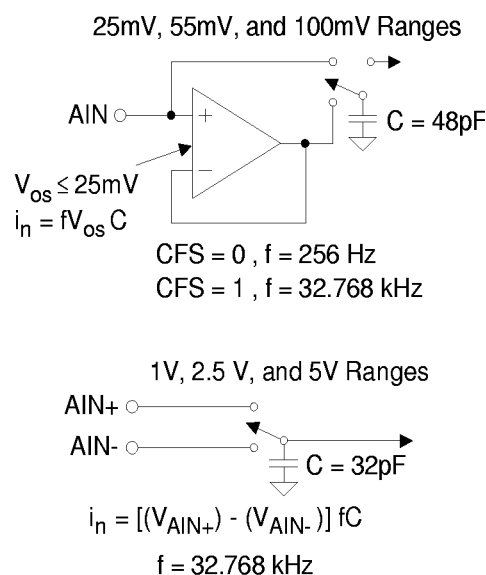


Figure 8. Input models for AIN+ and AIN- pins

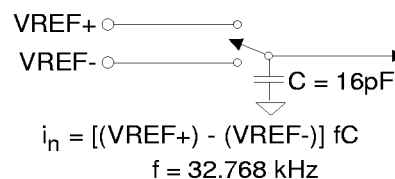


Figure 9. Input model for VREF+ and VREF- pins.

Charge Pump Drive

The CPD (Charge Pump Drive) pin of the converters can be used with external components (shown in Figure 1) to develop an appropriate negative bias voltage for the NBV pin. When CPD is used to generate the NBV, the NBV voltage is regulated with an internal regulator loop referenced to VA+. Therefore, any change on VA+ results in a proportional change on NBV. With VA+ = 5 V, NBV's regulation is set proportional to VA+ at approximately -2.1 V.

Figure 3 illustrates a means of supplying NBV voltage from a -5 V supply. For ground based signals with the instrumentation amplifier engaged (when in the 25mV, 55mV, or 100mV ranges), the voltage on the NBV pin should at no time be less negative than -1.8 V or more negative than -2.5 V. To prevent excessive voltage stress to the chip the NBV voltage should not be more negative than -3.0 V.

The components in Figure 1 are the preferred components for the CPD filter. However, smaller capacitors can be used with acceptable results. The 10 μ F ensures very low ripple on NBV. Intrinsic safety requirements prohibit the use of electrolytic capacitors. In this case, two 0.47 μ F ceramic capacitors in parallel can be used.

The CPD pin itself is a tri-state output and enters tri-state whenever the converters are placed into the Sleep Mode, Standby Mode, or when the charge pump is disabled (when the Pump Disable bit, bit D8 in the configuration register, is set). Once in tri-state, the digital current can increase if this CPD output floats near 1/2 digital supply. To ensure the CPD pin stays near ground and to minimize the digital current, add a 5M Ω resistor between it and DGND (see Figure 1). If the resistor is left out, the digital supply current may increase from 2 μ A to 10 μ A.

Voltage Reference

The CS5525/26 are specified for operation with a 2.5 V reference voltage between the VREF+ and VREF- pins of the devices. For a single-ended reference voltage, such as the LT1019-2.5, the reference's output is connected to the VREF+ pin of the CS5525/26. The ground reference for the LT1019-2.5 is connected to the VREF- pin.

The differential voltage between the VREF+ and VREF- can be any voltage from 1.0 V up to 3.0 V, however, the VREF- pin can not go below analog ground.

Calibration

The CS5525/26 offer five different calibration functions including self calibration and system calibration. However, after the CS5525/26 are reset, they can perform measurements without being calibrated. In this case, the converters will utilize the initialized values of the on-chip registers (Gain = 1.0, Offset = 0.0) to calculate output words for the ± 100 mV range. Any initial offset and gain errors in the internal circuitry of the chips will remain.

The gain and offset registers, which are used for both self and system calibration, are used to set the zero and full-scale points of the converter's transfer function. One LSB in the offset register is 2^{-24} proportion of the input span (bipolar span is 2 times the unipolar span). The MSB in the offset register determines if the offset to be trimmed is positive or negative (0 positive, 1 negative). The converters can typically trim ± 50 percent of the input span. The gain register spans from 0 to $(2 - 2^{-23})$. The decimal equivalent meaning of the gain register is

$$D = b_0 2^0 + b_1 2^{-1} + b_2 2^{-2} + \dots + b_N 2^{-N} = \sum_{i=0}^N b_i 2^{-i}$$

where the binary numbers have a value of either zero or one (b_0 corresponds to the MSB). Refer to Table 4 for details.

Offset Register

	MSB						LSB					
Register	Sign	2^{-2}	2^{-3}	2^{-4}	2^{-5}	2^{-6}	2^{-19}	2^{-20}	2^{-21}	2^{-22}	2^{-23}	2^{-24}
Reset (R)	0	0	0	0	0	0	0	0	0	0	0	0

One LSB represents 2^{-24} proportion of the input span (bipolar span is 2 times unipolar span)
 Offset and data word bits align by MSB (bit MSB-4 of offset register changes bit MSB-4 of data)

Gain Register

	MSB						LSB					
Register	2^0	2^{-1}	2^{-2}	2^{-3}	2^{-4}	2^{-5}	2^{-18}	2^{-19}	2^{-20}	2^{-21}	2^{-22}	2^{-23}
Reset (R)	1	0	0	0	0	0	0	0	0	0	0	0

The gain register span is from 0 to $(2 \cdot 2^{-23})$. After Reset the MSB = 1, all other bits are 0.

Table 4. Offset and Gain Registers

The offset and gain calibration steps each take one conversion cycle to complete. At the end of the calibration step, the calibration control bits will be set back to logic 0, and the DF (Done Flag) bit will be set to a logic 1. For the combination self-calibration (CC2-CC0= 011; offset followed by gain), the calibration will take two conversion cycles to complete and will set the DF bit after the gain calibration is completed. The DF bit will be cleared any time the data register, the offset register, the gain register, or the setup register is read. Reading the configuration register alone will not clear the DF bit.

of the modulator are connected together and then routed to the VREF- pin as shown in Figure 11.

For self-calibration of gain, the differential inputs of the modulator are connected to VREF+ and

Self Calibration

The CS5525/26 offer both self offset and self gain calibrations. For the self-calibration of offset in the 25 mV, 55 mV, and 100 mV ranges, the converter internally ties the inputs of the instrumentation amplifier together and routes them to the AIN- pin as shown in Figure 10. For proper self-calibration of offset to occur in the 25 mV, 55 mV, and 100 mV ranges, the AIN- pin must be at the proper common-mode-voltage (i.e. $AIN- = 0V$, NBV must be between -1.8 V to -2.5 V). For self-calibration of offset in the 1.0 V, 2.5 V, and 5 V ranges, the inputs

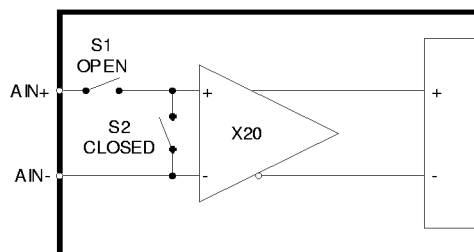


Figure 10. Self Calibration of Offset (Low Ranges).

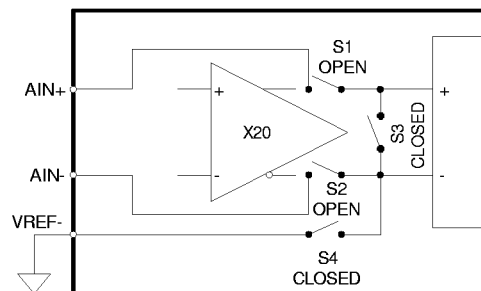


Figure 11. Self Calibration of Offset (High Ranges).

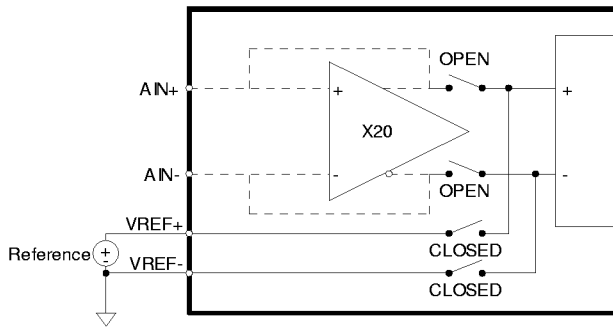


Figure 12. Self Calibration of Gain (All Ranges).

VREF- as shown in Figure 12. For any input range other than the 2.5 V range, the modulator gain error can not be completely calibrated out. This is due to the lack of an accurate full scale voltage internal to the chips. The 2.5 V range is an exception because the external reference voltage is 2.5 V nominal and is used as the full scale voltage. In addition, when self-calibration of gain is performed in the 25 mV, 55 mV, and 100 mV input ranges, the instrumentation amplifier's gain is not calibrated. These two factors can leave the converters with a gain error of up to $\pm 20\%$ after self-calibration of gain. Therefore, a system gain is required to get better accuracy, except for the 2.5 V range.

System Calibration

For the system calibration functions, the user must supply the converters calibration signals which represent ground and full scale. When a system offset calibration is performed, a ground reference signal must be applied to the converter. See Figures 13 and 14. As shown in Figures 15 and 16, the user must input a signal representing the positive full scale point to perform a system gain calibration. In either case, the calibration signals must be within the specified calibration limits for each specific calibration step (refer to the System Calibration Specifications).

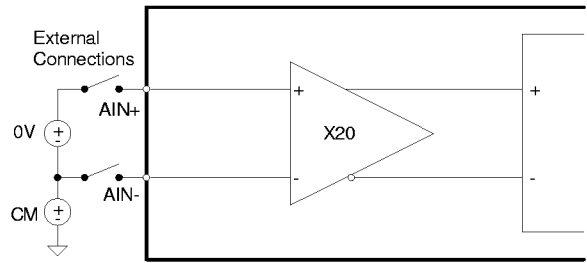


Figure 13. System Calibration of Offset (Low Ranges).

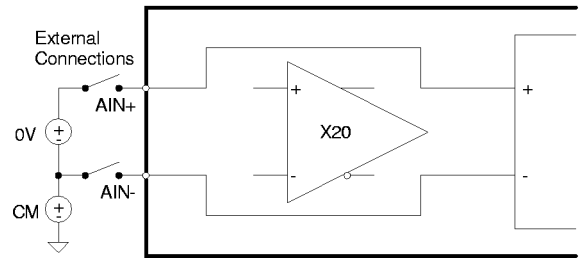


Figure 14. System Calibration of Offset (High Ranges).

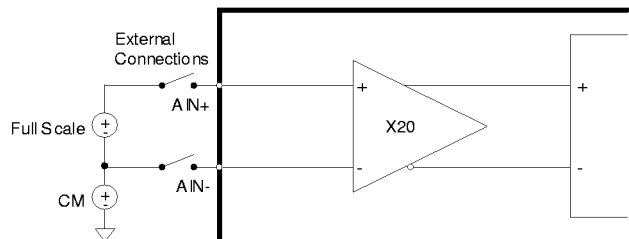


Figure 15. System Calibration of Gain (Low Ranges)

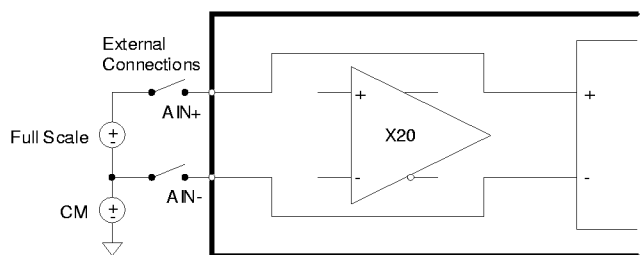


Figure 16. System Calibration of Gain (High Ranges).

Assuming a system can provide two known voltages, equations can allow the user to manually compute the calibration register's values based on two uncalibrated conversions. The offset and gain calibration registers are used to adjust a typical conversion as follows:

$$Rc = (Ru + Co \gg 4) * Cg / 2^{23}.$$

Calibration can be performed using the following equations:

$$Co = (Rc0/G - Ru0) \ll 4$$

$$Cg = 2^{23} * G$$

$$\text{where } G = (Rc1 - Rc0)/(Ru1 - Ru0).$$

Note: Uncalibrated conversions imply that the gain and offset registers are at default {gain register = 0x800000 (Hex) and offset register = 0x000000 (Hex)}.

The variables are defined below.

- V0 = First calibration voltage
- V1 = Second calibration voltage (greater than V0)
- Ru = Result of any uncalibrated conversion
- Ru0 = Result of uncalibrated conversion V0 (20-bit integer or 2's complement)
- Ru1 = Result of uncalibrated conversion of V1 (20-bit integer or 2's complement)
- Rc = Result of any conversion
- Rc0 = Desired calibration result of converting V0 (20-bit integer or 2's complement)
- Rc1 = Desired calibration result of converting V1 (20-bit integer or 2's complement)
- Co = Offset calibration register value (24-bit 2's complement)
- Cg = Gain calibration register value (24-bit integer)
- >> = The shift right operator (e.g. x >> 2 is x shifted right 2 bits)
- << = The shift left operator (e.g. x << 2 is x shifted left 2 bits)

Note: The shift operators are used here to align the decimal points of words of various lengths. Data to the right of the decimal point may be used in the calculations shown. For the CS5525 all conversion results (Ru, Rc...) are 16 bits instead

of 20 bits. To get the equations to work correctly pad the 16 bit results with four zeros (on the right).

Calibration Tips

Calibration steps are performed at the output word rate selected by the WR2-WR0 bits of the configuration register. Since higher word rates result in conversion words with more peak-to-peak noise, calibration should be performed at lower output word rates. Also, to minimize digital noise near the devices, the user should wait for each calibration step to be completed before reading or writing to the serial port.

For maximum accuracy, calibrations should be performed for offset and gain for each gain setting (selected by changing the G2-G0 bits of the configuration register). And if factory calibration is performed using the system calibration capabilities of the CS5525/26, the offset and gain register contents can be read by the system microcontroller and recorded in EEPROM. These same calibration words can then be uploaded into the offset and gain registers of the converters when power is first applied to the system, or when the gain range is changed.

Two final tips include two ways to determine when calibration is complete: 1) wait for SDO to fall. It falls to logic 0 if the PF (Port Flag) bit of the configuration register is set to logic 1; or 2) poll the DF (Done Flag) bit in the configuration register which is set at completion of calibration. Whichever method is used, the calibration control bits (CC2-CC0) will return to logic 0 upon completion of any calibration.

Limitations in Calibration Range

System calibration can be limited by signal headroom in the analog signal path inside the chip as discussed under the **Analog Input** section of this data sheet. System calibration can also be limited by the intrinsic gain errors of the instrumentation amplifier and the modulator. For gain calibrations

the input signal can be reduced to the point in which the gain register reaches its upper limit of 2.0 (decimal) [FFFFFF Hex] (this is most likely to occur with an input signal approximately 1/2 the nominal range). Alternatively, the input signal can be increased to a point in which the modulator reaches its one's density upper limit of 80% (this is most likely to occur with an input signal approximately 1.5 times the nominal range). Also, for full scale inputs larger than the nominal full scale value of the range selected, there is some voltage at which the various internal circuits may saturate due to limited amplifier headroom (this is most likely to occur on the 100 mV range setting when NBV = -1.8 V).

Analog Output Latch Pins

The A3-A0 pins of the converters mimic the D23-D20 bits of the configuration register. A3-A0 can be used to control multiplexers and other logic functions outside the converter. The outputs can sink or source at least 1 mA, but it is recommended to limit drive currents to less than 20 μ A to reduce self-heating of the chip. These outputs are powered from VA+, hence, their output voltage for a logic 1 will be limited to the VA+ voltage.

Serial Port Interface

The CS5525/26 serial interface consist of four pins, SCLK, SDO, SDI, and \overline{CS} . The \overline{CS} pin must be held low (logic 0) before SCLK transitions can be recognized by the port logic. The SDO output will be held at high impedance any time \overline{CS} is a logic 1. If the \overline{CS} pin is tied low, the port can function as a three wire interface.

The SCLK input is designed with a Schmitt-trigger input to allow an optoisolator with slower rise and fall times to directly drive the pin.

The SDO output is capable of sinking or sourcing up to 5 mA to directly drive an optoisolator LED. SDO will have less than a 400 mV loss in the drive voltage when sinking or sourcing 5 mA.

Serial Port Initialization

The serial port is initialized to the command mode whenever a power-on reset is performed inside the converter, when the port initialization sequence is completed, or whenever a command byte, data word sequence is completed. The port initialization sequence involves clocking 15 (or more) bytes of all 1's, followed by one byte with the following bit contents (11111110). This sequence places the chips in the command mode where it waits for a valid command.

Performing Conversions (With PF bit = 0)

Setting the SC (Single Conversion) bit of the command word to a logic 1 with the CB bit = 1, all other command bits = 0, the CS5525/CS5526 will perform one conversion. At the completion of the conversion the DF (Done Flag) bit of the configuration register will be set to a logic 1. The user can read the configuration register to determine if the DF bit is set. If DF has been set, a command can be issued to read the conversion data register to obtain the conversion data word. The DF bit of the configuration register will be cleared to logic 0 when the data register, the gain register, the offset register, or the set-up registers are read. Reading only the configuration register will not clear the DF flag bit.

If an SC command is issued to the converters while they are performing a conversion, the filter will restart a convolution cycle to perform a new conversion.

Performing Conversions (With PF bit = 1)

Setting the PF bit of the configuration register to a logic 1 enables the SDO output pin to behave as a flag signal whenever conversions are completed. This eliminates the need for the user to read the DF flag bit of the configuration register to determine if the conversion data word is available.

If the SC (Single Conversion) command is issued (SC = 1, CB= 1, all other command bits = 0) the SDO pin will go low at the completion of a conver-

sion. The user would then issue 8 SCLKs (with SDI = logic 0) to clear the SDO flag. Upon the falling edge of the 8th SCLK, the SDO pin will present the first bit (MSB) of the conversion word. 24 SCLKs (high, then low) are required to read the conversion word from the port. The user must not give an explicit command to read the conversion data register when the PF bit is set to logic 1. The data conversion word must be read before a new command can be entered (if the SC command is used with PF = 1).

If the CC (Continuous Conversion) command is issued (CC = 1, CB =1, all other command bits = 0) the SDO pin will go low at the completion of a conversion. The user would then issue 8 SCLKs (with SDI = logic 0) to clear the SDO flag. Upon the falling edge of the 8th SCLK, the SDO pin will present the first bit (MSB) of the conversion word. 24 SCLKs (high, then low) are required to read the conversion word from the port. The user must not give an explicit command to read the conversion data register when the PF bit is set to logic 1. When operating in the continuous conversion mode, the user need not read every conversion. If the user does nothing after SDO falls, SDO will rise one XIN clock cycle before the next conversion word is available and then fall again to signal that another conversion word is available. If the user begins to clear the SDO flag and read the conversion data, this action must be finished before the conversion cycle which is occurring in the background is complete if the user wants to be able to read the new conversion data.

To exit the continuous conversion mode, issue any valid command to the SDI input when the SDO flag falls. If a CC command is issued to the converter while it is performing a conversion, the filter will restart a convolution cycle to perform a new conversion.

Output Word Rate Selection

The WR2-WR0 bits of the configuration register set the output conversion word rate of the converters as shown in Table 2. The word rates indicated in the table assume a master clock of 32.768 kHz. Upon reset the converters are set to operate with an output word rate of 15.0 Hz.

Clock Generator

The CS5525/26 include a gate which can be connected with an external crystal to provide the master clock for the chips. They are designed to operate using a low-cost 32.768 kHz “tuning fork” type crystal. One lead of the crystal should be connected to XIN and the other to XOUT. Lead lengths should be minimized to reduce stray capacitance.

The converters will operate with an external (CMOS compatible) clock with frequencies up to three times the typical crystal frequency of 32.768 kHz. Figure 17 details the converter’s performance at increased clock rates.

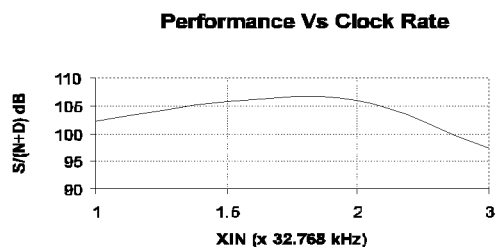


Figure 17. High Speed Clock Performance

The 32.768 kHz crystal is normally specified as a time-keeping crystal with tight specifications for both initial frequency and for drift over temperature. To maintain excellent frequency stability, these crystals are specified only over limited operating temperature ranges (i.e. -10 °C to +60 °C). However, applications with the CS5525/26 don’t generally require such tight tolerances. When 32.768 kHz surface mount crystals are used, it is recommended that protection components, an external resistor and capacitor as shown in Figure 18, be used.

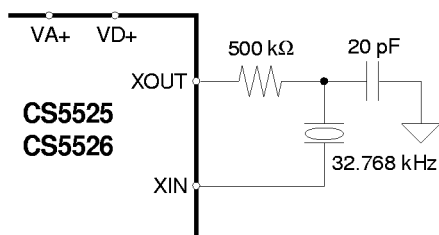


Figure 18. Surface Mount Crystal Connection Diagram

Digital Filter

The CS5525/26 have eight different linear phase digital filters which set the output word rates (OWRs) as stated in Table 2. These rates assume that XIN is 32.768 kHz. Each of the filters has a magnitude response similar to that shown in Figure 19. The filters are optimized to settle to full accuracy every conversion and yield better than 80 dB rejection for both 50 and 60 Hz with output word rates at or below 15.0 Hz.

The converter's digital filters scale with XIN. For example with an output word rate of 15 Hz, the filter's corner frequency is typically 12.7 Hz. If XIN is increased to 64.536 kHz the OWR doubles and the filter's corner frequency moves to 25.4 Hz.

Output Coding

The CS5525/26 output data in binary format when operating in unipolar mode and in two's complement when operating in bipolar mode.

The output conversion word is 24 bits, or three bytes long, as shown in Table 5. The MSB is output

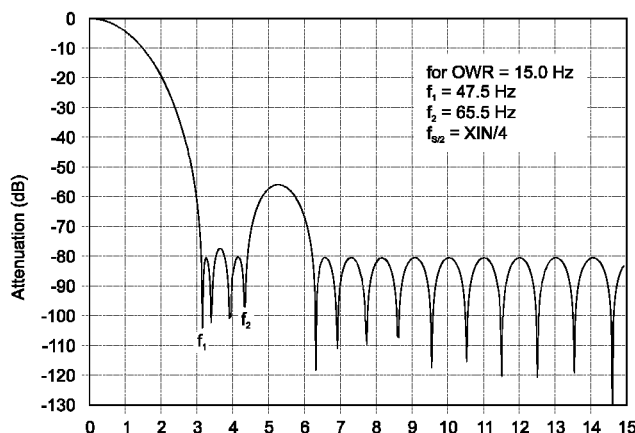


Figure 19. Filter Response
(Normalized to Output Word Rate = 1)

first followed by the rest of the data bits in descending order. For the CS5525 the last byte is composed of bits D7-D4, which are always logic 1; D3-D2, which are always logic 0; and bits D1-D0 which are the two flag bits. For the CS5526 the last byte includes data bits D7-D4, D3-D2 which are always logic 0 and the two flag bits.

The OF (Overrange Flag) bit is set to a logic 1 any time the input signal is: 1) more positive than positive full scale, 2) more negative than zero (unipolar mode), 3) more negative than negative full scale (bipolar mode). It is cleared back to logic 0 whenever a conversion word occurs which is not overranged.

The OD (Oscillation Detect) bit is set to a logic 1 any time that an oscillatory condition is detected in the modulator. This does not occur under normal operating conditions, but may occur whenever the input

Output Conversion Data CS5525 (16 bits + flags)

D23	D22	D21	D20	D19	D18	D17	D16	D15	D14	D13	D12	D11	D10	D9	D8	D7	D6	D5	D4	D3	D2	D1	D0
MSB	14	13	12	11	10	9	8	7	6	5	4	3	2	1	LSB	1	1	1	1	0	0	OD	OF

Output Conversion Data CS5526 (20 bits + flags)

D23	D22	D21	D20	D19	D18	D17	D16	D15	D14	D13	D12	D11	D10	D9	D8	D7	D6	D5	D4	D3	D2	D1	D0
MSB	18	17	16	15	14	13	12	11	10	9	8	7	6	5	4	3	2	1	LSB	0	0	OD	OF

Table 5. Data Conversion Word

CS5525 16-Bit Output Coding

Unipolar Input Voltage	Offset Binary	Bipolar Input Voltage	Two's Complement
>(VFS-1.5 LSB)	FFFF	>(VFS-1.5 LSB)	7FFF
VFS-1.5 LSB	FFFF ---- FFFE	VFS-1.5 LSB	7FFF ---- 7FFE
VFS/2-0.5 LSB	8000 ---- 7FFF	-0.5 LSB	0000 ---- FFFF
+0.5 LSB	0001 ---- 0000	-VFS+0.5 LSB	8001 ---- 8000
<(+0.5 LSB)	0000	<(-VFS+0.5 LSB)	8000

CS5526 20-Bit Output Coding

Unipolar Input Voltage	Offset Binary	Bipolar Input Voltage	Two's Complement
>(VFS-1.5 LSB)	FFFFF	>(VFS-1.5 LSB)	7FFFF
VFS-1.5 LSB	FFFFF ---- FFFFE	VFS-1.5 LSB	7FFFF ---- 7FFFE
VFS/2-0.5 LSB	80000 ---- 7FFFF	-0.5 LSB	00000 ---- FFFFF
+0.5 LSB	00001 ---- 00000	-VFS+0.5 LSB	80001 ---- 80000
<(+0.5 LSB)	00000	<(-VFS+0.5 LSB)	80000

Note: VFS in the table equals the voltage between ground and full scale for any of the unipolar gain ranges, or the voltage between \pm full scale for any of the bipolar gain ranges. See text about error flags under overrange conditions.

Table 6. 5525/26 Output Coding

to the converters is extremely overranged. If the OD bit is set, the conversion data bits can be completely erroneous. The OD flag bit will be cleared to logic 0 when the modulator becomes stable. Table 6 illustrates the output coding for the CS5525/26.

Power Consumption

The CS5525/26 accommodate four power consumption modes: normal, low power, standby, and sleep. The normal mode, the default mode, is entered after a power-on-reset and typically consumes 7.5 mW. The low power mode is an alternate mode that reduces the consumed power to 4 mW. It is entered by setting bit D16 (the low power mode bit) in the configuration register to logic 1. Since the converter's noise performance improves with increased power consumption, slightly degraded noise or linearity performance should be expected in the low power mode. The final two modes are referred to as the power save modes. They power down most of the analog portion of the chips and stop filter convolutions. The power save modes are entered whenever the PS/ \bar{R} bit and the CB bit of the

command word are set to logic 1. The particular power save mode entered depends on state of bit D4 (the Power Save Select bit) in the configuration register. If D4 is logic 0, the converters enter the standby mode reducing the power consumption to 1.2mW. The standby mode leaves the oscillator and the on-chip bias generator running. This allows the converters to quickly return to the normal or low power mode once the PS/ \bar{R} bit is set back to a logic 1. If D4 in the configuration register and CB and PS/ \bar{R} in the command word are set to logic 1, the sleep mode is entered reducing the consumed power to less than 500 μ W. Since the sleep mode disables the oscillator, approximately a 500ms oscillator start-up delay period is required before returning to the normal or low power mode.

PCB Layout

The CS5525/26 should be placed entirely over an analog ground plane with both the AGND and DGND pins of the device connected to the analog plane. Place the analog-digital plane split immediately adjacent to the digital portion of the chip.

PIN DESCRIPTIONS

ANALOG GROUND	AGND	1	20	VREF+ VOLTAGE REFERENCE INPUT
POSITIVE ANALOG POWER	VA+	2	19	VREF- VOLTAGE REFERENCE INPUT
DIFFERENTIAL ANALOG INPUT	AIN+	3	18	\overline{CS} CHIP SELECT
DIFFERENTIAL ANALOG INPUT	AIN-	4	17	SDI SERIAL DATA INPUT
NEGATIVE BIAS VOLTAGE	NBV	5	16	A3 LOGIC OUTPUT
LOGIC OUTPUT	A0	6	15	A2 LOGIC OUTPUT
LOGIC OUTPUT	A1	7	14	SDO SERIAL DATA OUTPUT
CHARGE PUMP DRIVE	CPD	8	13	VD+ POSITIVE DIGITAL POWER
CRYSTAL IN	XIN	9	12	DGND DIGITAL GROUND
CRYSTAL OUT	XOUT	10	11	SCLK SERIAL CLOCK INPUT

Clock Generator
XIN; XOUT - Crystal In; Crystal Out, Pins 9, 10.

A gate inside the chip is connected to these pins and can be used with a crystal to provide the master clock for the device. Alternatively, an external (CMOS compatible) clock can be supplied into the XIN pin to provide the master clock for the device.

Control Pins and Serial Data I/O
 \overline{CS} - Chip Select, Pin 18.

When active low, the port will recognize SCLK. When high the SDO pin will output a high impedance state. \overline{CS} should be changed when SCLK = 0.

SDI - Serial Data Input, Pin 17.

SDI is the input pin of the serial input port. Data will be input at a rate determined by SCLK.

SDO - Serial Data Output, Pin 14.

SDO is the serial data output. It will output a high impedance state if $\overline{CS} = 1$.

SCLK - Serial Clock Input, Pin 11.

A clock signal on this pin determines the input/output rate of the data for the SDI/SDO pins respectively. This input is a Schmitt trigger to allow for slow rise time signals. The SCLK pin will recognize clocks only when \overline{CS} is low.

A0, A1, A2, A3 - Logic Outputs, Pin 6, 7, 15, 16.

The logic states of A0-A3 mimic the states of the D20-D23 bits of the configuration register. Logic Output 0 = AGND, and Logic Output 1 = VA+.

Measurement and Reference Inputs**AIN+, AIN- - Differential Analog Input, Pins 3, 4.**

Differential input pins into the device.

VREF+, VREF- - Voltage Reference Input, Pins 20, 19.

Fully differential inputs which establish the voltage reference for the on-chip modulator.

NBV - Negative Bias Voltage, Pin 5.

Input pin to supply the negative supply voltage for the 20X gain instrumentation amplifier. May be tied to AGND if AIN+ and AIN- inputs are centered around +2.5 V; or it may be tied to a negative supply voltage (-2.1 V typical) to allow the amplifier to handle low level signals more negative than ground.

CPD - Charge Pump Drive, Pin 8.

Square wave output used to provide energy for the charge pump.

Power Supply Connections**VA+ - Positive Analog Power, Pin 2.**

Positive analog supply voltage. Nominally +5 V.

VD+ - Positive Digital Power, Pin 13.

Positive digital supply voltage. Nominally +3.0 V or +5 V.

AGND - Analog Ground, Pin 1.

Analog Ground.

DGND - Digital Ground, Pin 12.

Digital Ground.

SPECIFICATION DEFINITIONS

Linearity Error

The deviation of a code from a straight line which connects the two endpoints of the A/D Converter transfer function. One endpoint is located 1/2 LSB below the first code transition and the other endpoint is located 1/2 LSB beyond the code transition to all ones. Units in percent of full-scale.

Differential Nonlinearity

The deviation of a code's width from the ideal width. Units in LSBs.

Full Scale Error

The deviation of the last code transition from the ideal $[(V_{REF+}) - (V_{REF-})] - 3/2 \text{ LSB}$. Units are in LSBs.

Unipolar Offset

The deviation of the first code transition from the ideal (1/2 LSB above the voltage on the AIN- pin.). When in unipolar mode (U/\bar{B} bit = 1). Units are in LSBs.

Bipolar Offset

The deviation of the mid-scale transition (111...111 to 000...000) from the ideal (1/2 LSB below the voltage on the AIN- pin). When in bipolar mode (U/\bar{B} bit = 0). Units are in LSBs.

ORDERING GUIDE

Model Number	Linearity Error (Max)	Temperature Range	Package
CS5525-AP	$\pm 0.003\%$	-40°C to +85°C	20-pin 0.3" Plastic DIP
CS5525-AS	$\pm 0.003\%$	-40°C to +85°C	20-pin 0.2" Plastic SSOP
CS5526-BP	$\pm 0.0015\%$	-40°C to +85°C	20-pin 0.3" Plastic DIP
CS5526-BS	$\pm 0.0015\%$	-40°C to +85°C	20-pin 0.2" Plastic SSOP

Schematic & Layout Review Service

Confirm Optimum
Schematic & Layout
Before Building Your Board.

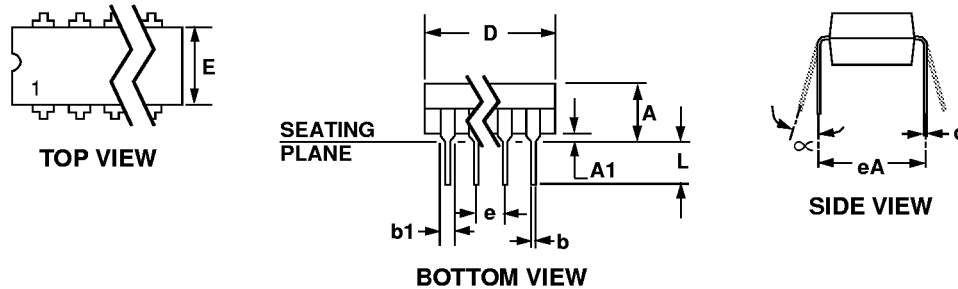
For Our Free Review Service
Call Applications Engineering.



Call: (5 1 2) 4 4 5 - 7 2 2 2

SPI™ is a trademark of Motorola Inc., Microwire™ is a trademark of National Semiconductor Corp.

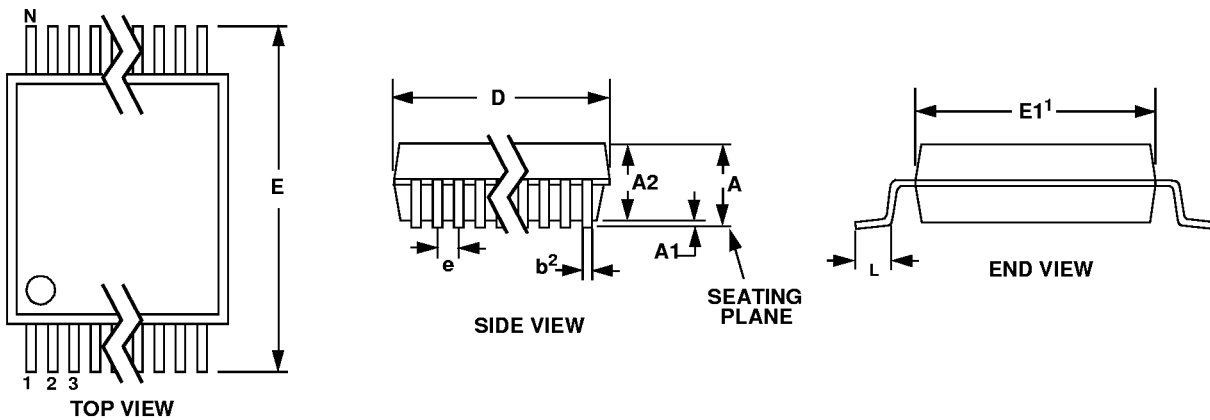
20 PIN PLASTIC (PDIP) PACKAGE DRAWING



DIM	INCHES		MILLIMETERS	
	MIN	MAX	MIN	MAX
A	0.155	0.180	3.94	4.57
A1	0.020	0.040	0.51	1.02
b	0.015	0.022	0.38	0.56
b1	0.050	0.065	1.27	1.65
c	0.008	0.015	0.20	0.38
D	0.960	1.040	24.38	26.42
E	0.240	0.260	6.10	6.60
e	0.095	0.105	2.41	2.67
eA	0.300	0.325	7.62	8.25
L	0.125	0.150	3.18	3.81
α	0°	15°	0°	15°

- Notes:
1. Positional tolerance of leads shall be within 0.25 mm (0.010 in.) at maximum material condition, in relation to seating plane and each other.
 2. Dimension eA to center of leads when formed parallel.
 3. Dimension E does not include mold flash.

20 PIN SSOP PACKAGE DRAWING



DIM	INCHES		MILLIMETERS		NOTE
	MIN	MAX	MIN	MAX	
A	--	0.084	--	2.13	
A1	0.002	0.010	0.05	0.25	
A2	0.064	0.074	1.62	1.88	
b	0.009	0.015	0.22	0.38	2,3
D	0.272	0.295	6.90	7.50	1
E	0.291	0.323	7.40	8.20	
E1	0.197	0.220	5.00	5.60	1
e	0.024	0.027	0.61	0.69	
L	0.025	0.040	0.63	1.03	
α	0°	8°	0°	8°	

- Notes:
1. "D" and "E1" are reference datums and do not include mold flash or protrusions, but do include mold mismatch and are measured at the parting line, mold flash or protrusions shall not exceed 0.20 mm per side.
 2. Dimension "b" does not include dambar protrusion/intrusion. Allowable dambar protrusion shall be 0.13 mm total in excess of "b" dimension at maximum material condition. Dambar intrusion shall not reduce dimension "b" by more than 0.07 mm at least material condition.
 3. These dimensions apply to the flat section of the lead between 0.10 and 0.25 mm from lead tips.

CDB5525/26 Evaluation Board and Software

Features

- Direct Thermocouple Interface
- RS-232 Serial Communication with PC
- On-board 80C51 Microcontroller
- On-board Voltage Reference
- Lab Windows/CVI™ Evaluation Software
 - Register Setup & Chip Control
 - FFT Analysis
 - Time Domain Analysis
 - Noise Histogram Analysis
- On-board Charge Pump Drive Circuitry
- Integrated RS-232 Test Mode

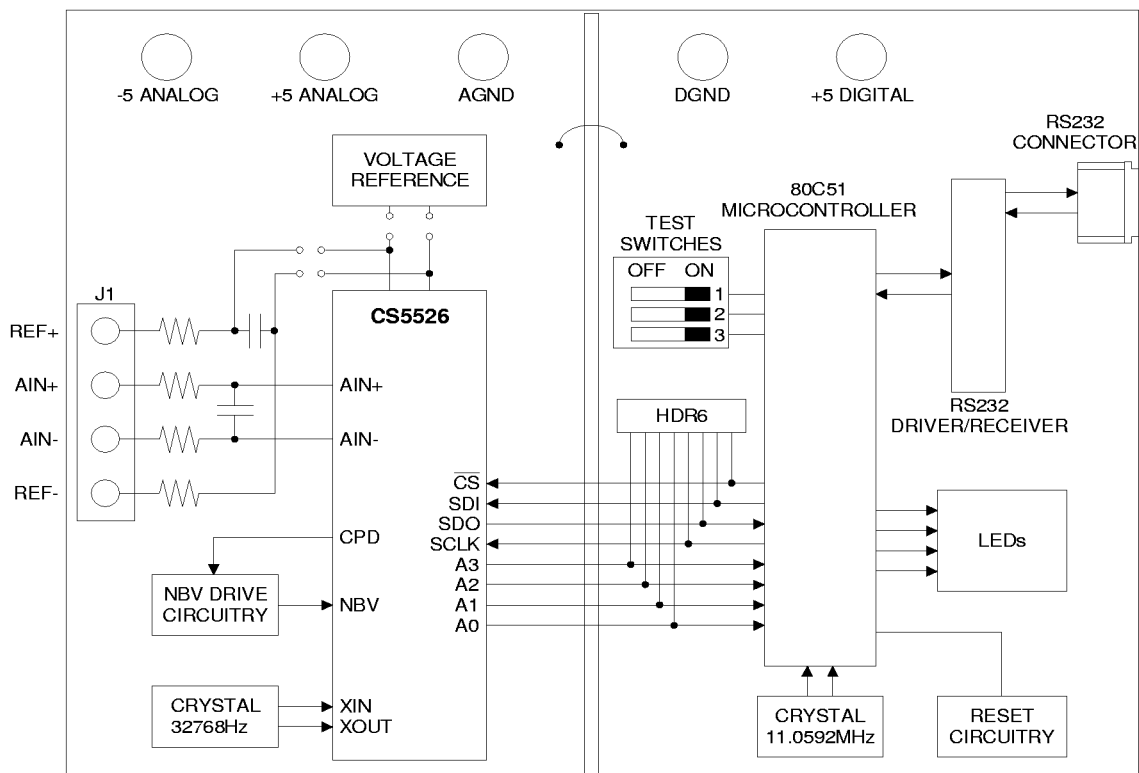
General Description

The CDB5525/26 is an inexpensive tool designed to evaluate the performance of the CS5525 and CS5526, 16-bit and 20-bit Multi-Range Analog-to-Digital Converters (ADC).

The evaluation board includes an LT1019 voltage reference, an 80C51 microcontroller, an RS232 driver/receiver, and firmware. The 8051 controls the serial communication between the evaluation board and the PC via the firmware, thus, enabling quick and easy access to all of the CS5525/26's registers.

The CDB5525/26 also includes software for Time Domain Analysis, Histogram Analysis, and Frequency Domain Analysis.

ORDERING INFORMATION: CDB5526



Preliminary Product Information

This document contains information for a new product. Cirrus Logic reserves the right to modify this product without notice.

PART I: HARDWARE

Introduction

The CDB5525/26 evaluation board provides a quick means of testing the CS5525 and CS5526 Analog-to-Digital Converters (ADCs). The board interfaces the CS5525/26 to an IBM™ compatible PC via an RS-232 interface while operating from a +5V and -5V power supply. To accomplish this, the board comes equipped with an 80C51 microcontroller and a 9-pin RS-232 cable physically interfaces the evaluation board to the PC. Additionally, analysis software provides easy access to the internal registers of the converter, and provides a means to display the converter's time domain, frequency domain, and noise histogram performance.

Evaluation Board Overview

The board is partitioned into two main sections: analog and digital. The analog section consists of the CS5525 or the CS5526, a precision voltage reference, and the circuitry to generate a negative voltage. The digital section consists of the 80C51 microcontroller, the hardware test switches, the reset circuitry, and the RS-232 interface.

The CS5525/26 is designed to digitize low level signals while operating from a 32.768 KHz crystal. As shown in Figure 1, a thermocouple can be connected to the converter's inputs via J1's AIN+ and AIN- inputs. Note, a simple RC network filters the

thermocouple's output to reduce any interference picked up by the thermocouple leads.

The evaluation board provides two voltage reference options, on-board and external. With HDR5's jumpers in positions 1 and 4, the LT1019 provides 2.5 volts (the LT1019 was chosen for its low drift, typically 5ppm/°C). By setting HDR5's jumpers to position 2 and 3, the user can supply an external voltage reference to J1's REF+ and REF- inputs (Application Note 4 in the back of the 1995 Crystal Semiconductor Data Acquisition Databook details various voltage references).

The ADC serial interface is *SPI™* and *MICROWIRE™* compatible. The interface control lines (\overline{CS} , SDI, SDO, and SCLK) are connected to the 80C51 microcontroller via port one. To interface an external microcontroller, these control lines are also connected to HDR6. However to accomplish this, the evaluation board must be modified in one of three ways: 1) cut the interface control traces going to the microcontroller, 2) remove resistors R1-R8, or 3) remove the microcontroller.

Figure 2 illustrates the schematic of the digital section. It contains the microcontroller, a Motorola MC145407 interface chip, and test switches. The test switches aid in debugging communication problems between the CDB5525/26 and the PC. The microcontroller derives its clock from an 11.0592 MHz crystal. From this, the controller is configured to communicate via RS-232 at 9600 baud, no parity, 8-bit data, and 1 stop bit.

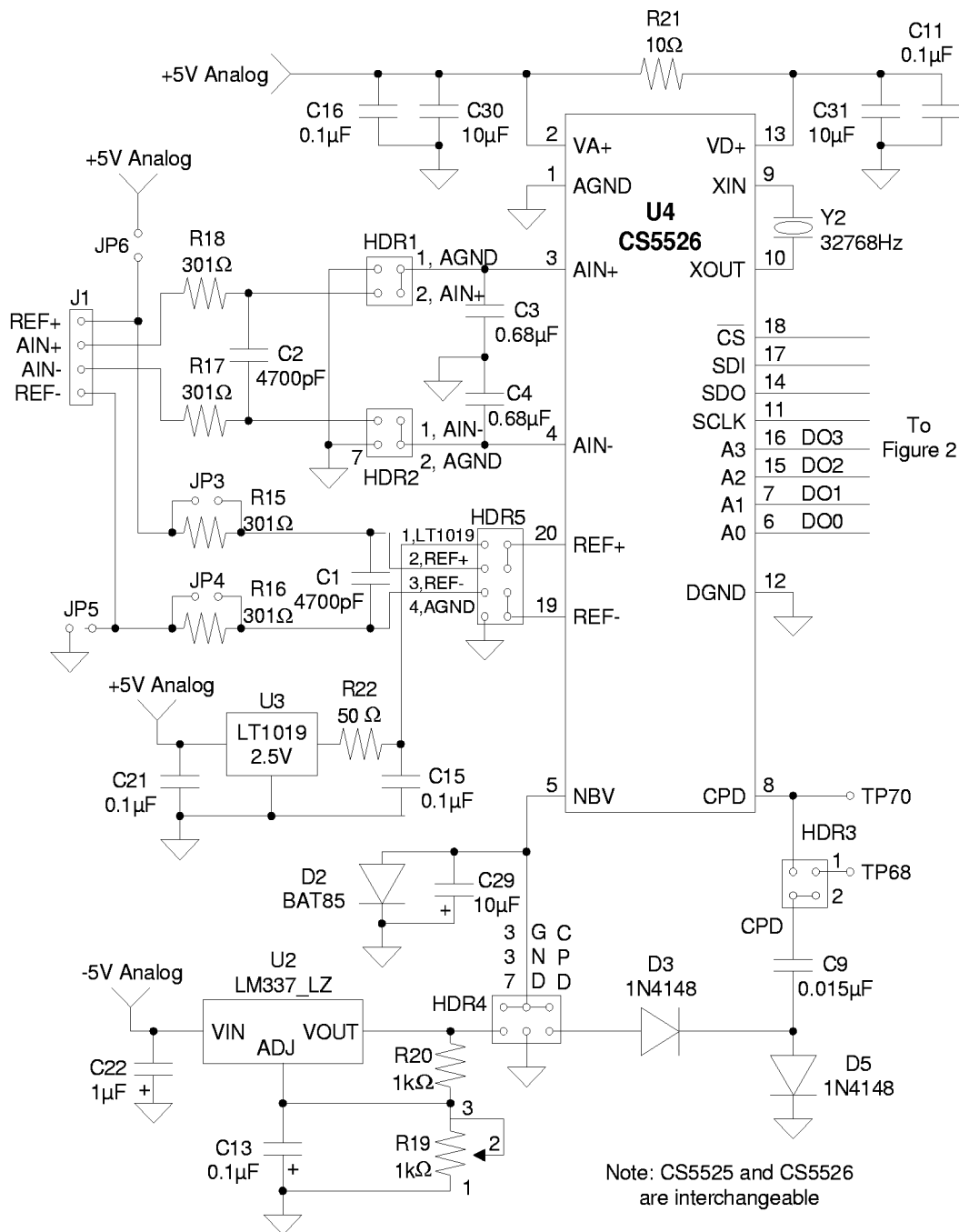


Figure 1. Analog Schematic Section

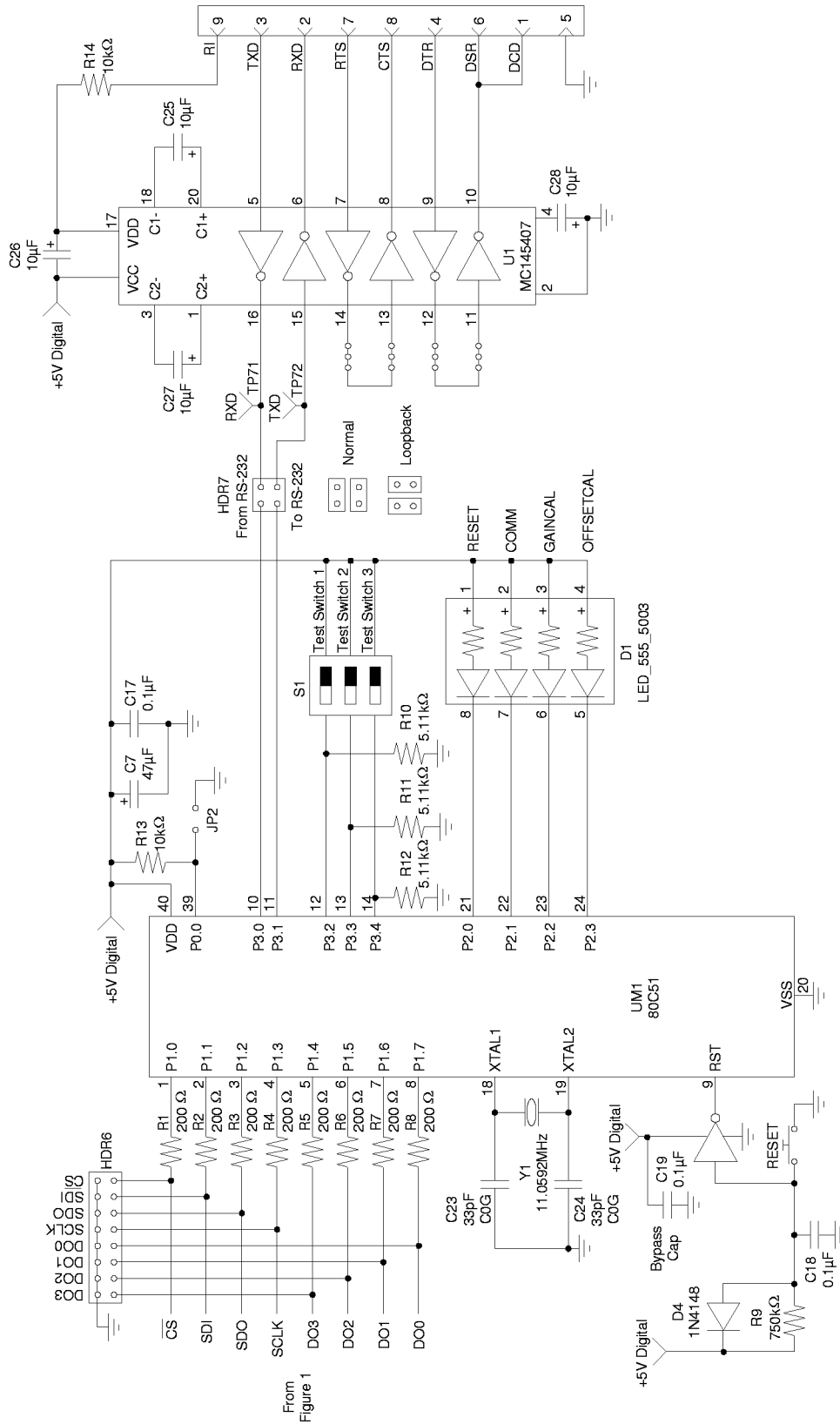


Figure 2. Digital Schematic Section

Register	Read Command Byte	Write Command Byte
Offset Register	0x90 (H)	0x80 (H)
Gain Register	0x92 (H)	0x82 (H)
Configuration Register	0x94 (H)	0x84 (H)
Conversion Data Register	0x96 (H)	---

Table 1. Microcontroller Command via RS-232

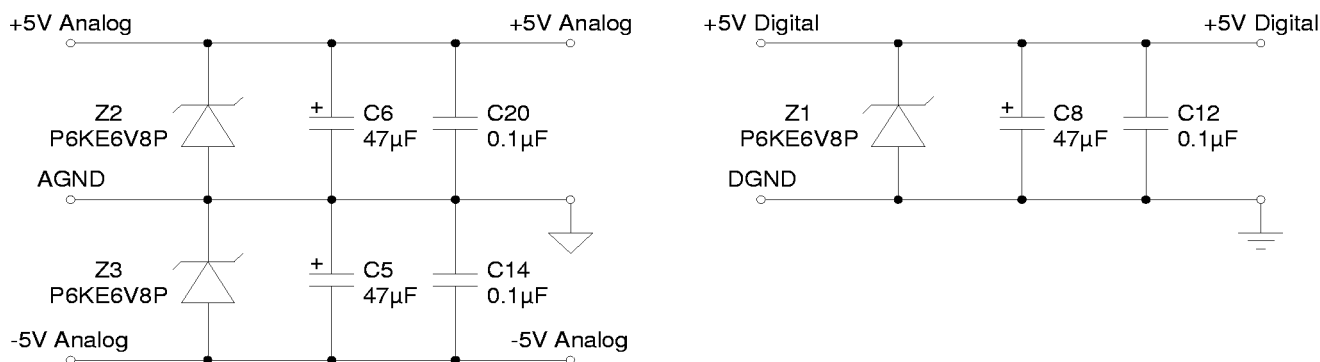
Table 1 lists the RS-232 commands used to communicate between the PC and the microcontroller. To develop additional code to communicate to the evaluation board via RS-232, the following applies: to write to an internal ADC register, choose the appropriate write command byte (See Table 1), and transmit it LSB first. Then, transmit the three data bytes lowest order byte (bits 7-0) first with the LSB of each byte transmitted first. These three data bytes provide the 24-bits of information to be written to the desired register. To read from an internal register, choose the appropriate read command byte and transmit it LSB first. Then, the microcontroller automatically acquires the ADC's register contents and returns the 24-bits of information. The returned data is transmitted lowest order byte first with the LSB of each byte transmitted first.

Figure 3 illustrates the power supply connections to the evaluation board. The +5V Analog supplies the analog section of the evaluation board, the LT1019 and the ADC. The -5V Analog supplies the negative bias voltage circuitry. The +5V Digital supplies a separate five volts to the digital section of

the evaluation board, the 80C51, the reset circuitry, and the RS-232 interface circuitry.

Using the Evaluation Board

The CS5525/26 are highly integrated ADCs. They contain an instrumentation amplifier (IA), a programmable gain amplifier (PGA), an on-chip charge pump drive (CPD), and programmable output word rates (OWR). The IA provides a set gain of 20 while the PGA sets the input levels of the ADC at either 25 mV, 55 mV, 100 mV, 1 V, 2.5 V, or 5 V (for VREF = 2.5 V). The CPD provides a square wave output. This output is used to supply the negative supply to the IA, enabling measurements of ground referenced signals. The ADC's digital filter allows the user to select output word rates (OWR's) from 3.76 Hz up to 202 Hz. 606 Hz output word rates can be attained when a 100kHz clock source is used. Since the CS5525/26 have such a high degree of integration and flexibility, the CS5525/26 data sheet should be read thoroughly before and consulted during the use of the CDB5525/26.


Figure 3. Power Supplies

Negative Bias Voltage

The evaluation board provides three means of supplying the Negative Bias Voltage (NBV). HDR4 selects between them. When HDR4 is in position one, the LM337 supplies NBV with an adjustable voltage. R19 is used to adjust this voltage between -1.25 V and -5 V. When in position two, HDR4 grounds NBV. And by setting HDR4 to position three, the converter's Charge Pump Drive provides NBV with a dc rectified voltage, nominally -2.1 V.

Note: NBV should not exceed a voltage more negative than -3.0 V.

Name	Function Description
HDR1	Used to switch AIN+ between J1 input and AGND.
HDR2	Used to switch AIN- between J1 input and AGND.
HDR3	Used in conjunction with HDR4 to switch the power for NBV from the LM337, CPD or analog ground.
HDR4	Used in conjunction with HDR3 to switch the power for NBV from the LM337, CPD or analog ground.
HDR5	Used to switch VREF+ and VREF- pins from external J1 connection header to the on board LT1019 reference.
HDR6	Used to connect external micro-controller.
HDR7	Used in conjunction with the self test modes to test the UART communication between the microcontroller and the PC.

Software

The evaluation board comes with software and an RS-232 cable to link the evaluation board to the PC. The executable software was developed with Lab Windows/CVI™ and meant to run under Windows™ 3.1 or later. After installing the software, read the readme.txt file for last minute changes in the software. Additionally, **Part II: Software** further details how to install and use the software.

Schematic & Layout Review Service

Confirm Optimum
Schematic & Layout
Before Building Your Board.

For Our Free Review Service
Call Applications Engineering.



Call : (5 1 2) 4 4 5 - 7 2 2 2

IBM, AT and PS/2 are trademarks of International Business Machines Corporation.

Windows is a trademark of Microsoft Corporation.

Lab Windows and CVI are trademarks of National Instruments.

SPI™ is a trademark of Motorola.

MICROWIRE™ is a trademark of National Semiconductor.

PART II: SOFTWARE

Installation Procedure

To install the software:

- 1) Turn on the PC.
- 2) At DOS prompt type WIN to Launch Windows 3.1™ or later.
- 3) Insert the Installation Diskette into the PC.
- 4) From within the Windows Program Manager, pull down File from the menu bar and select the Run option.
- 5) At the prompt type: A:\SETUP.EXE <enter>.
- 6) The program will begin installation.
- 7) After a few seconds, the user will be prompted to enter the directory in which to install the CVI Run-Time Engine™. The Run-Time Engine™ manages executable created with Lab Windows/CVI™ and takes approximately 1.5 megabytes of hard drive space. If the default directory is acceptable, select OK and the Run-Time Engine™ will be installed there.
- 8) After the Run-Time Engine™ is installed, the user is prompted to enter the directory in which to install the CDB5525/26 software. Select OK to accept the default directory.
- 9) The program takes a few minutes to install. After the program is installed, double click on the Eval5526 icon to launch it. After a few seconds, the user should be in the CS5525/26 environment.

Note: *The software is written to run with 640 x 480 (standard VGA in Windows 3.1™) resolution; however, it will work with 1024 x 768 resolution. If the user interface seems to be a little small, the user might consider setting the display settings to the 640 x 480 standard (640x480 was chosen to accommodate a variety of computers).*

Using the Software

At start-up, the window START-UP CONFIGURATION appears first. This window contains information concerning the software's title, revision number, copyright date, etc. Additionally, at the top of the screen is a menu bar which displays user options. Notice, the menu bar item Menu is initially disabled. This eliminates any conflicts with the mouse or concurrent use of modems. Before proceeding any further, the user is prompted to select the serial communication port. To initialize a port, pull down option Setup from the menu bar and select either COM1 or COM2. After a port is initialized, it is a good idea to test the RS-232 link between the PC and the evaluation board. To do this, pull down the Setup menu from the menu bar and select the option TESTRS232. The user is then prompted to set the evaluation board's test switches to 011 and then reset the board. Once this is done, proceed with the test. If the test fails, check the hardware connection and repeat again. Otherwise, set the test switches to 000 (normal mode) and reset the board. The option Menu is now available and performance tests can be executed.

The evaluation software provides three types of analysis tests - Time Domain, Frequency Domain, and Histogram. The Time Domain analysis processes acquired conversions to produce a plot of Conversion Sample Number versus Magnitude. The Frequency Domain analysis processes acquired conversions to produce a magnitude versus frequency plot using the Fast-Fourier transform (results up to $F_s/2$ are calculated and plotted). Also, statistical noise calculations are calculated and displayed. The Histogram analysis test processes acquired conversions to produce a histogram plot. Statistical noise calculations are also calculated and displayed (see figures 4 through figure 9).

The evaluation software was developed with Lab Windows/CVI™, a software development package from National Instruments. More sophisticated

analysis software can be developed by purchasing the development package from National Instruments (512-794-0100).

Menu Bars Overview

The menu bar controls the link between windows and allows the user to exit the program. It also allows the user to initialize the serial port and load presaved data conversions from a file. The five principal windows are the START UP CONFIGURATION (also referred to as the Setup Window), the Input / Output Window, the Histogram Window, the Power Spectrum Window (also referred to as the FFT window), and the Time Domain Window.

Specifically, the menu bar has the following control items:

Menu: To select, click on option Menu from the menu bar, or use associated hot keys. The items associated with MENU are listed and described below.

<i>Setup Window</i>	(F1)
<i>Input/Output Window</i>	(F2)
<i>Histogram Window</i>	(F3)
<i>Power Spectrum Window</i>	(F4)
<i>Time Domain Window</i>	(F5)

These five menu items allow the user to navigate between the five windows. They are available at all times via the menu bar or hot keys.

SETUP: To select, click on option Setup from the menu bar. The functions available under Setup are:

COM1: When selected, COM1 is initialized to 9600 baud, no parity, 8 data bits, and 1 stop bit.

COM2: When selected, COM2 is initialized to 9600 baud, no parity, 8 data bits, and 1 stop bit.

Load From Disk: Used to load and display previously saved data conversions from a file. The file must comply with the CDBCAPTURE

file save format. The format is: part number, throughput (or sample rate), number of conversions, maximum range, and the data conversions. The user is prompted to enter the path and file name of previously saved data. To prevent hardware conflicts, this option is deactivated while in the Input/Output Window.

TESTRS232: This test mode tests the ability of the PC to communicate to the evaluation board. It consists of two subtests: 1) test the link between the PC and the RS-232 interface circuitry; and 2) test the RS-232 link between the PC and the microcontroller. HDR7 distinguishes these two subtests. Set HDR7 to Normal to test the complete communication link. Or set HDR7 to Loop Back to test the link between the RS-232 Circuitry and the PC. Then, set the test switches to 110 and reset the evaluation board. The LED's should indicate a binary six signifying that the hardware is ready to initiate the test. To complete the test, the user must initialize the PC. First, use the SETUP menu to select a communications port and then select the TESTRS232 option. From there, user prompts navigate the user through the test. The PC indicates if the test passes or fails. Once either test is complete, the LED's toggle to indicate that the test mode is complete.

PART: Allows user to select a different converter.

QUIT: Allows user to exit program.

Input/Output Window Overview

The Input/Output Window allows the user to read and write to the internal register of the converter in either binary or hexadecimal, and acquire real-time conversions. It has quick access control icons that quickly reset the converter, reset the converter's serial port, or self-calibrate the converter's offset and

gain. The following are controls and indicators associated with this window.

Acquire: This is a control icon. When pressed, the PC transmits the collect single conversion command to the microcontroller. The microcontroller in turn collects a conversion from the ADC and returns it to the PC. The PC stores the conversion and collects additional conversions to form a set. From the sample set collected, the high, the low, peak-to-peak, average, and standard deviation, are computed (the size of the data set is set by the Num To Average input) and then the display icons are updated. This process continues until the STOP button is pressed, or until another window is selected. Note: The quick access control icons are disabled once Acquire is selected. This eliminates potential hardware conflicts.

BINARY: Input icons set or clear the 24 individual bits in the gain, configuration, or offset registers. The bits are first set, then the control icon Write All Registers is selected to update the registers in the converter.

CONFIGURATION REGISTER: Text display box that displays the decoded meaning of each bit in the configuration register.

DECIMAL: Three display icons that display in decimal the contents of the gain, configuration, and offset registers.

DIGITAL OUTPUT: Display icon that displays the four states of the output latch.

GAIN REGISTER: Display icon that displays the decimal equivalent of the bits set in gain register.

HEX: Three input/display icons that allow a user to set the 24 bits in the gain, configuration, or offset registers via 6 hexadecimal nibbles. If the upper nibbles in the registers are zero's, then leading zero nibbles need to be entered.

Num To Average: Input icon that sets the size of the data conversion set referred to when the Acquire button is pressed.

Read All Registers: This is a control icon. When pressed the gain, offset, and configuration registers contents are acquired. Then, the configuration text box and the register content icons are updated.

Reinitialize: This is a control icon. When pressed, 128 logic 1's followed by a logic '0' are sent to the ADC's serial port to reset its port. It does not reset the RS-232 link.

Reset A/D: This is a control icon. When pressed, the microcontroller sends the appropriate commands to return the converter to its initial default state.

SELF Calibrate: This is a control icon. When pressed, the appropriate commands are sent to the ADC to calibrate its own offset and gain.

STOP: Stops the collection of conversion data.

Write All Registers: This is a control icon. When pressed, the 72 binary input icons settings are acquired. This data is then transmitted to the ADC's gain, offset, and configuration registers. Then, the PC's display is updated to reflect the registers changes.

Histogram Window Overview

The following is a description of the controls and indicators associated with the Histogram Window. Many of the control icons are usable from the Histogram Window, the Frequency Domain Window, and the Time Domain Window. For brevity, they are only described in this section.

BIN: Displays the x-axis value of the cursor on the Histogram.

CANCEL: Once selected, it allows a user to exit from the COLLECT algorithm. If data conversion sample sets larger than 64 are being collected and the CANCEL button is selected, it is recommended that the user reset the evaluation board. The board will eventually recover from the continuous collection mode, but the recovery time could be as long as 10 minutes.

COLLECT: Initiates the data conversion collection process. COLLECT has two modes of operation: collect from file or collect from converter. To collect from a file an appropriate file from the SET-UP-DISK menu bar option must be selected. Once a file is selected, its content is displayed in the graph. If the user is collecting real-time conversions to analyze, the appropriate COM port must be selected. The user is then free to collect the preset number of conversions (preset by the CONFIG pop-up menu discussed below). Notice, there is a significant acquisition time difference in the two methods.

CONFIG: Opens a pop-up panel to configure how much data is to be collected, and how to process the data once it is collected. The following are controls and indicators associated with the CONFIG panel.

SAMPLES: User selection of 64, 256, 512, 1024, 2048, 4096, or 8192 conversions.

WINDOW: Used in the Power Spectrum Window to calculate the FFT. Windowing algorithms include the Blackman, Blackman-Harris, Hann, 5-term Hodia, and 7-term Hodia. The 5-term Hodia and 7-term Hodia are windowing algorithms developed at Crystal Semiconductor. If information concerning these algorithms is needed, call technical support.

AVERAGE: Sets the number of consecutive FFT's to perform and average.

LIMITED NOISE BANDWIDTH: Limits the amount of noise in the converters bandwidth. Default is 0 Hz.

OK: Accept the change

MAGNITUDE: Displays the y-axis value of the cursor on the Histogram.

MAXIMUM: Indicator for the maximum value of the collected data set.

MEAN: Indicator for the mean of the data sample set.

MINIMUM: Indicator for the minimum value of the collected data set.

OUTPUT: Control that calls a pop-up menu. This menu controls three options: 1) save current data set to a file with the CDBCAPTURE format, 2) print current screen, or 3) print current graph.

RESTORE: Restores the display of the graph after zoom has been entered.

STD. DEV.: Indicator for the Standard Deviation of the collected data set.

TEST: Quick access control icon, similar to the hot keys, to allow user to quickly switch between a time domain, a frequency domain, or a histogram display.

VARIANCE: Indicates the Variance for the current data set.

ZOOM: Control icon that allows the operator to zoom in on a specific portion of the current graph. To zoom, click on the ZOOM icon, then click on the graph to select the first point (the 1st point is the top left corner of the zoom box). Then click on the graph again to select the second point (the 2nd point is the bottom right corner of the zoom box). Once an area has been zoomed in to, the OUTPUT functions can be used to print a hard copy of that region. Click on RESTORE when done with the zoom function.

Frequency Domain Window (i.e. FFT)

The following describe the controls and indicators associated with the *Frequency Domain Window*.

CANCEL: See description in *Histogram Window Overview*.

COLLECT: See description in *Histogram Window Overview*.

CONFIG: See description in *Histogram Window Overview*.

FREQUENCY: Displays the x-axis value of the cursor on the FFT display.

MAGNITUDE: Displays the y-axis value of the cursor on the FFT display.

OUTPUT: See description in *Histogram Window Overview*.

S/D: Indicator for the Signal-to-Distortion Ratio, 4 harmonics are used in the calculations (decibels).

S/N+D: Indicator for the Signal-to-Noise + Distortion Ratio (decibels).

SNR: Indicator for the Signal-to-Noise Ratio, first 4 harmonics are not included (decibels).

S/PN: Indicator for the Signal-to-Peak Noise Ratio (decibels).

TEST: See description in *Histogram Window Overview*.

ZOOM: See description in *Histogram Window Overview*.

of AVG: Displays the number of FFT's averaged in the current display.

Time Domain Window Overview

The following controls and indicators are associated with the *Time Domain Window*.

CANCEL: See description in *Histogram Window Overview*.

COLLECT: See description in *Histogram Window Overview*.

CONFIG: See description in *Histogram Window Overview*.

COUNT: Displays current x-position of the cursor on the time domain display.

MAGNITUDE: Displays current y-position of the cursor on the time domain display.

MAXIMUM: Indicator for the maximum value of the collected data set.

MINIMUM: Indicator for the minimum value of the collected data set.

OUTPUT: See description in *Histogram Window Overview*.

TEST: See description in *Histogram Window Overview*.

ZOOM: See description in *Histogram Window Overview*.

Trouble Shooting the Evaluation Board

This section describes special test modes incorporated in the microcontroller software to diagnose hardware problems with the evaluation board.

Note: To enter these modes, set the test switches to the appropriate position and reset the evaluation board. To re-enter the normal operation mode, set the switches back to binary zero and reset the board again.

Test Mode 0, Normal Mode: This is the default mode of operation. To enter this mode, set the test

switches to 000 and reset the board. The evaluation board allows normal read/writes to the ADC's registers. All the LED's toggle on then off after reset, and then only when communicating with the PC.

Test Mode 1, Loop Back Test: This test mode checks the microcontroller's on-chip UART. To enter this mode, set test switches to 001, set HDR7 for loop back, and then reset the board. If the communication works, all the LED's toggle. Otherwise, only 1/2 of the LED's toggle to indicate a communication problem.

Test Mode 2, Read/Write to ADC: This test mode tests the microcontroller's ability to read and write to the ADC. To enter this mode, set the switches to 010 and reset the board. In this test mode, the ADC's configuration, offset, and gain registers are written to and then read from. If the correct data is read back, all the LED's toggle. Otherwise, only half of them toggle to indicate an error.

Test Mode 3, Continuously Acquire Single Conversion: This test mode repetitively acquires a single conversion. To enter this mode, set the test switches to 011 and press reset. A binary three is indicated on the LED's. By probing HDR6 and using \overline{CS} as a triggering pin, an oscilloscope or logic analyzer will display in real-time how the microcontroller reads conversion data.

Test Mode 4: Reserved for future modifications.

Test Mode 5, Continuously Read Gain Register: This test mode repetitively acquires the gain registers default contents (0x800000 HEX). To enter this mode, set the test switches to 101 and press reset. The LED's should indicate a binary five. By

probing HDR6 and using \overline{CS} as a triggering pin, an oscilloscope or logic analyzer will display in real-time how the microcontroller acquires a conversion.

Test Mode 6, PC to Microcontroller RS-232 Communication Link Test: This test mode tests the ability of the PC to communicate to the evaluation board. It consists of two subtests: 1) test the link between the PC and the RS-232 interface circuitry; and 2) test the RS-232 link between the PC and the microcontroller. HDR7 distinguishes these two subtests. Set HDR7 to Normal to test the complete communication link. Or set HDR7 to Loop Back to test the link between the RS-232 Circuitry and the PC. Then, set the test switches to 110 and reset the evaluation board. The LED's should indicate a binary six signifying that the hardware is ready to initiate the test. To complete the test, the user must initialize the PC. First, use the SETUP menu to select a communications port and then select the TESTRS232 option. From there, user prompts navigate the user through the test. The PC indicates if the test passes or fails. Once either test is complete, the LED's toggle to indicate that the test mode is complete.

Test Mode 7, Toggle LED's: This test mode tests the evaluation board LED's. To enter this mode, set the test switches to 111 and reset the board. If the mode passes, the LED's toggle.

Note: Remember, to return to the normal operating mode, set the test switches to binary zero, return HDR7 to Normal, and reset the evaluation board.

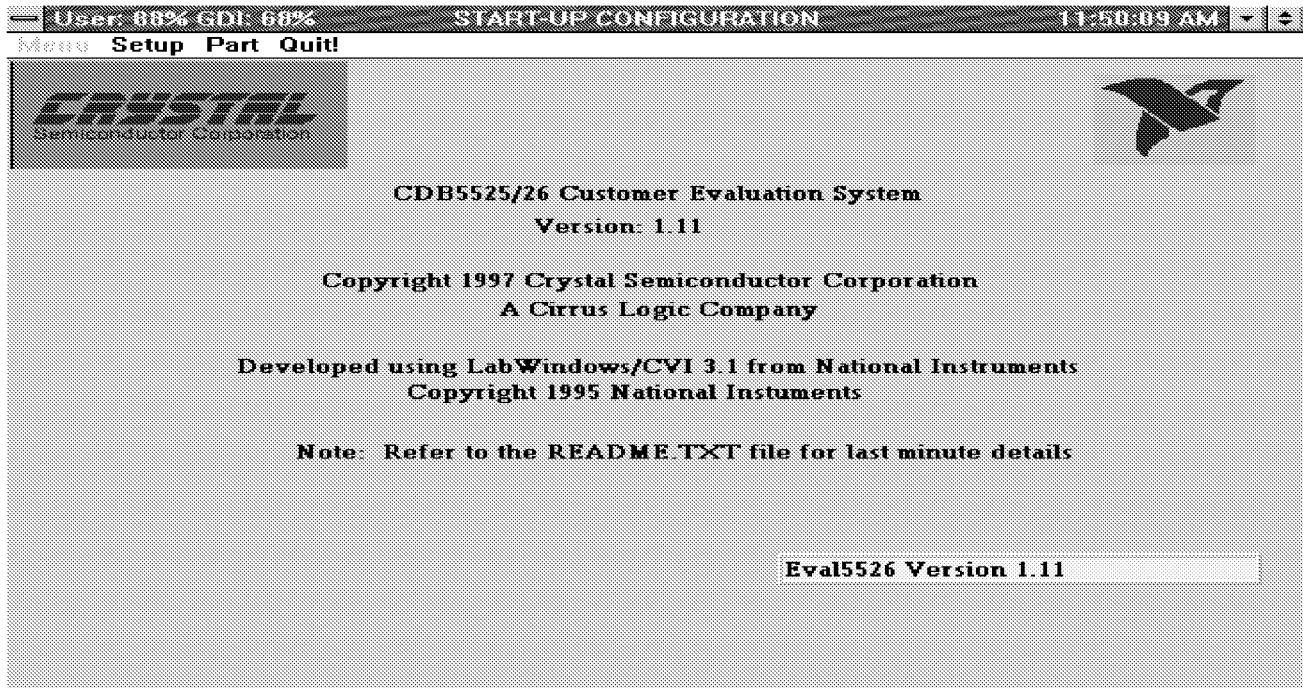


Figure 4. Main Menu

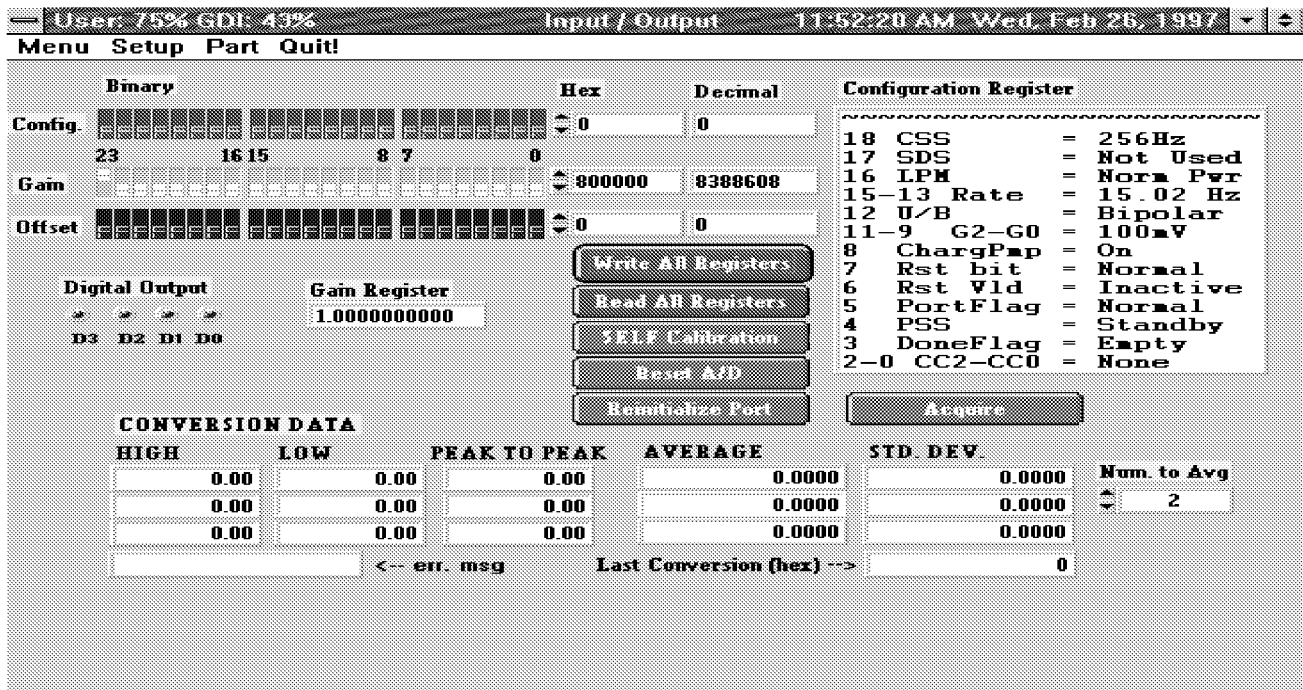
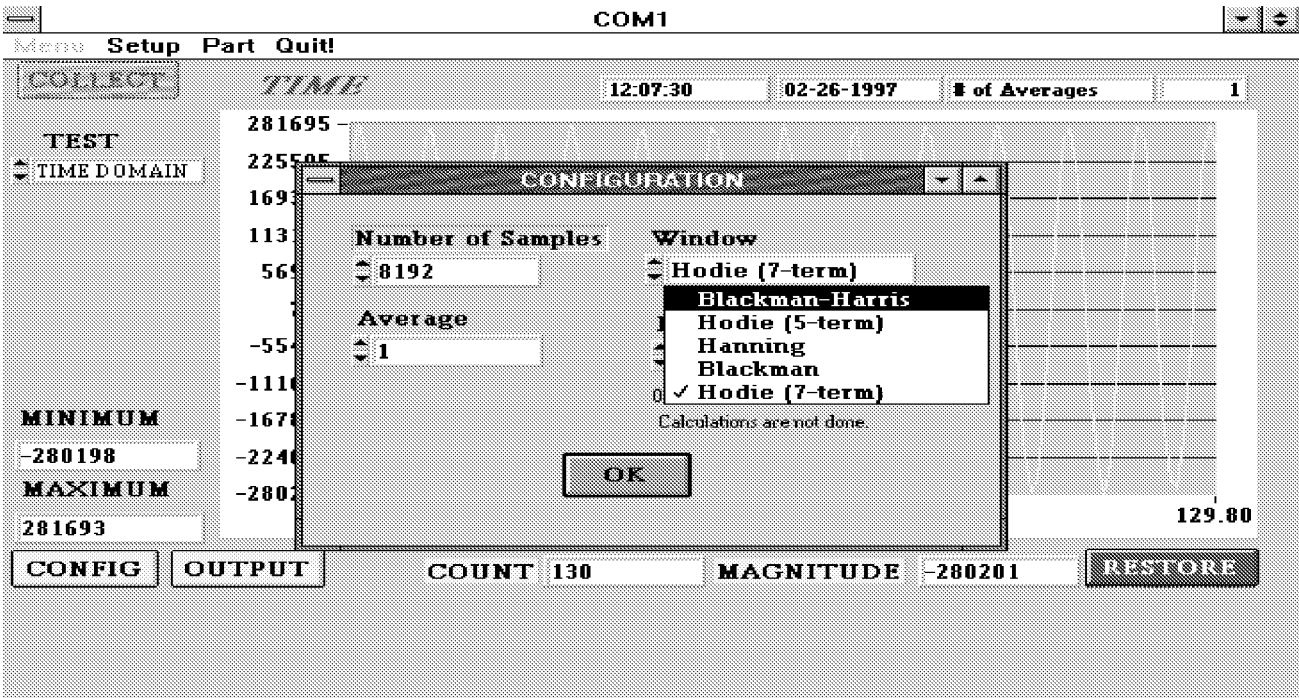
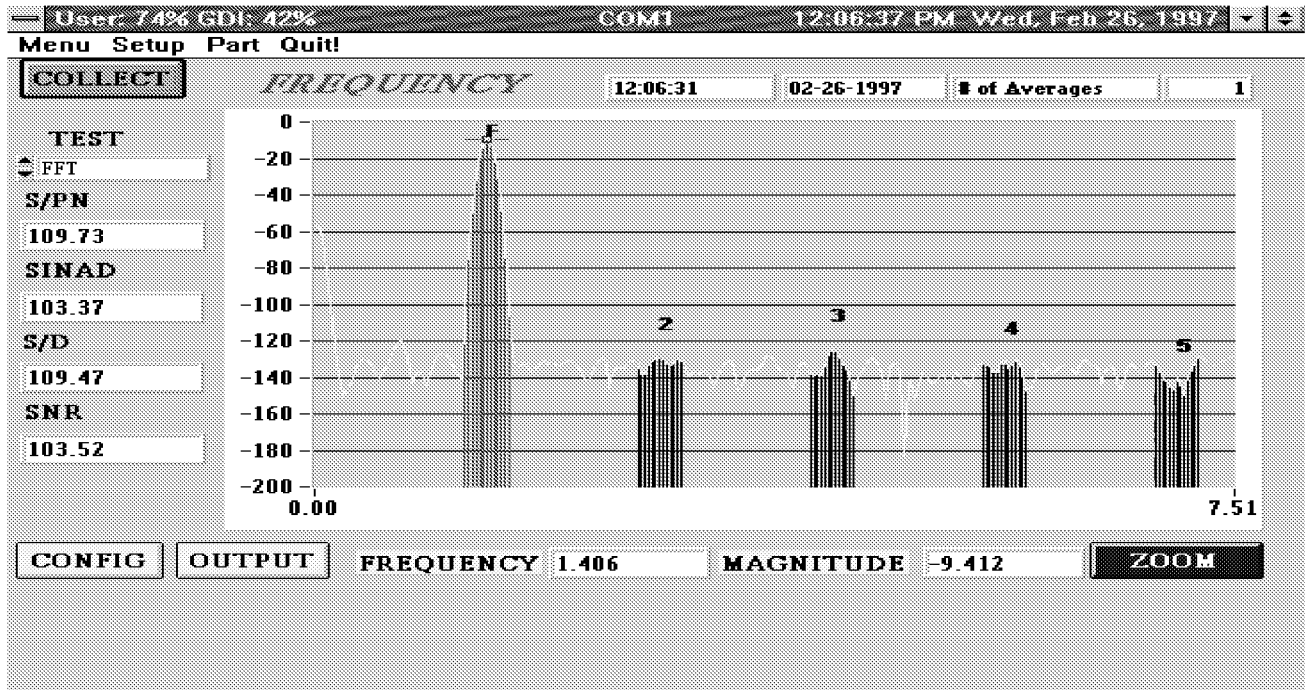


Figure 5. Input/Output Window



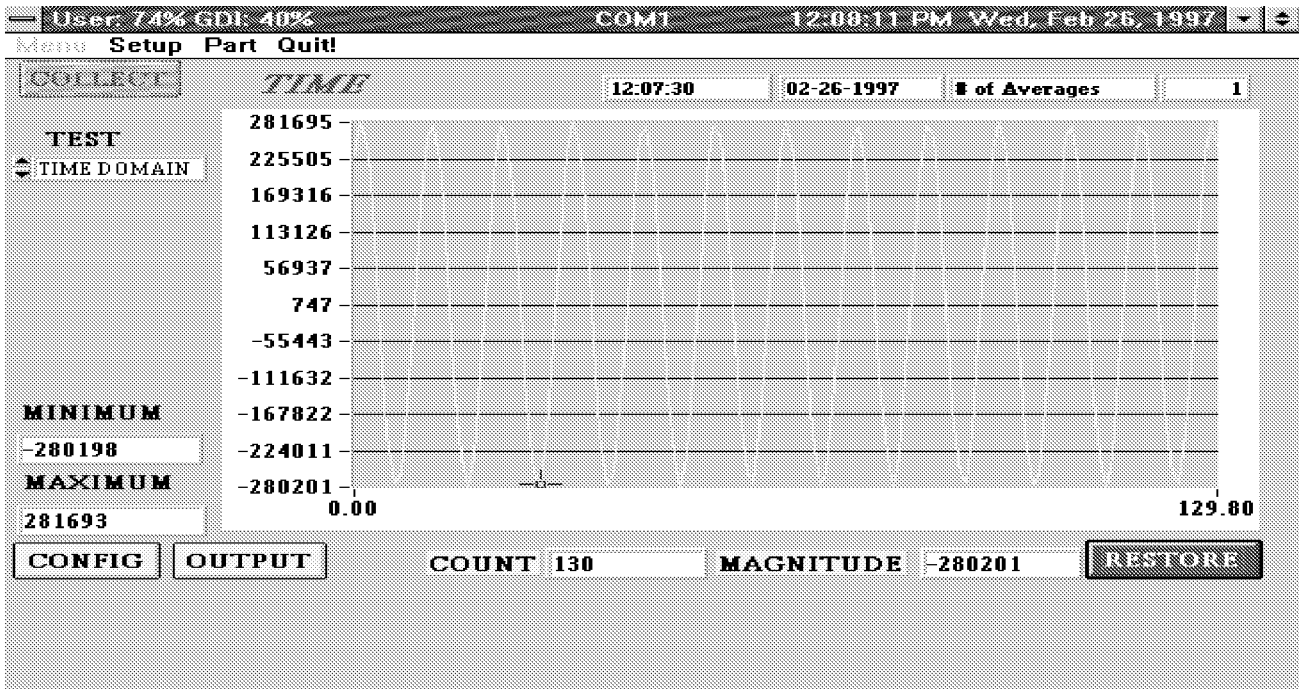


Figure 8. Time Domain Analysis

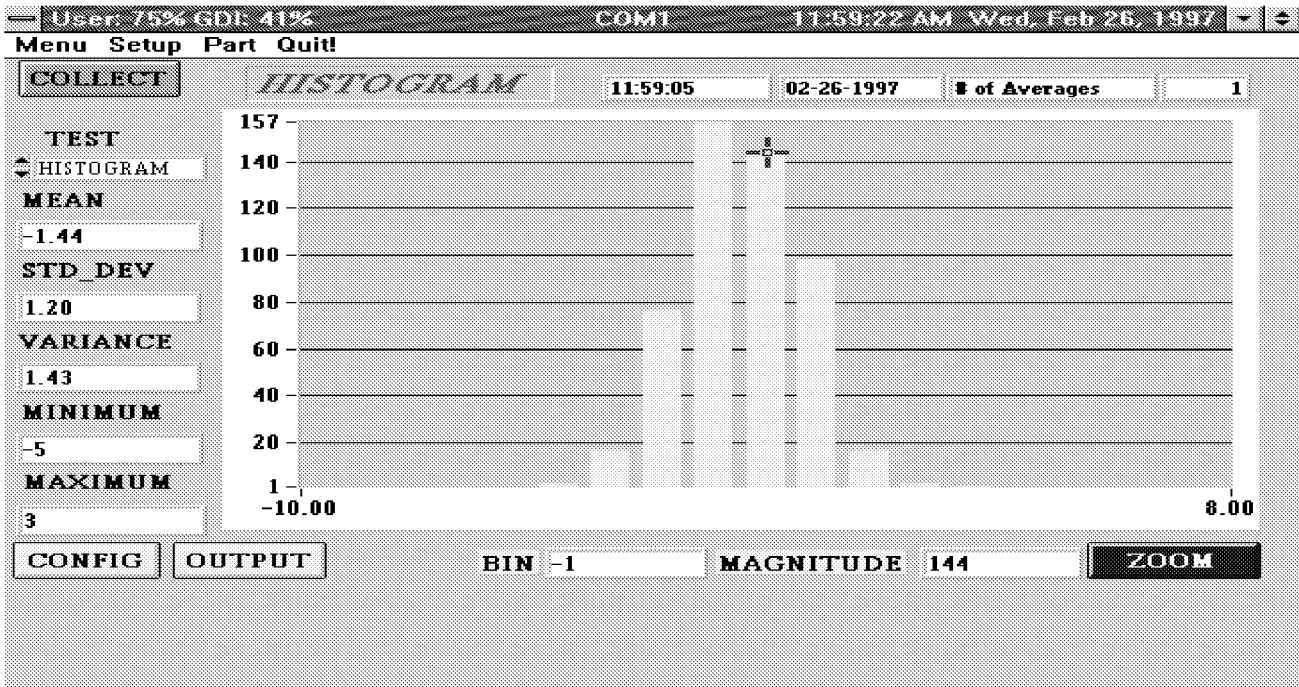
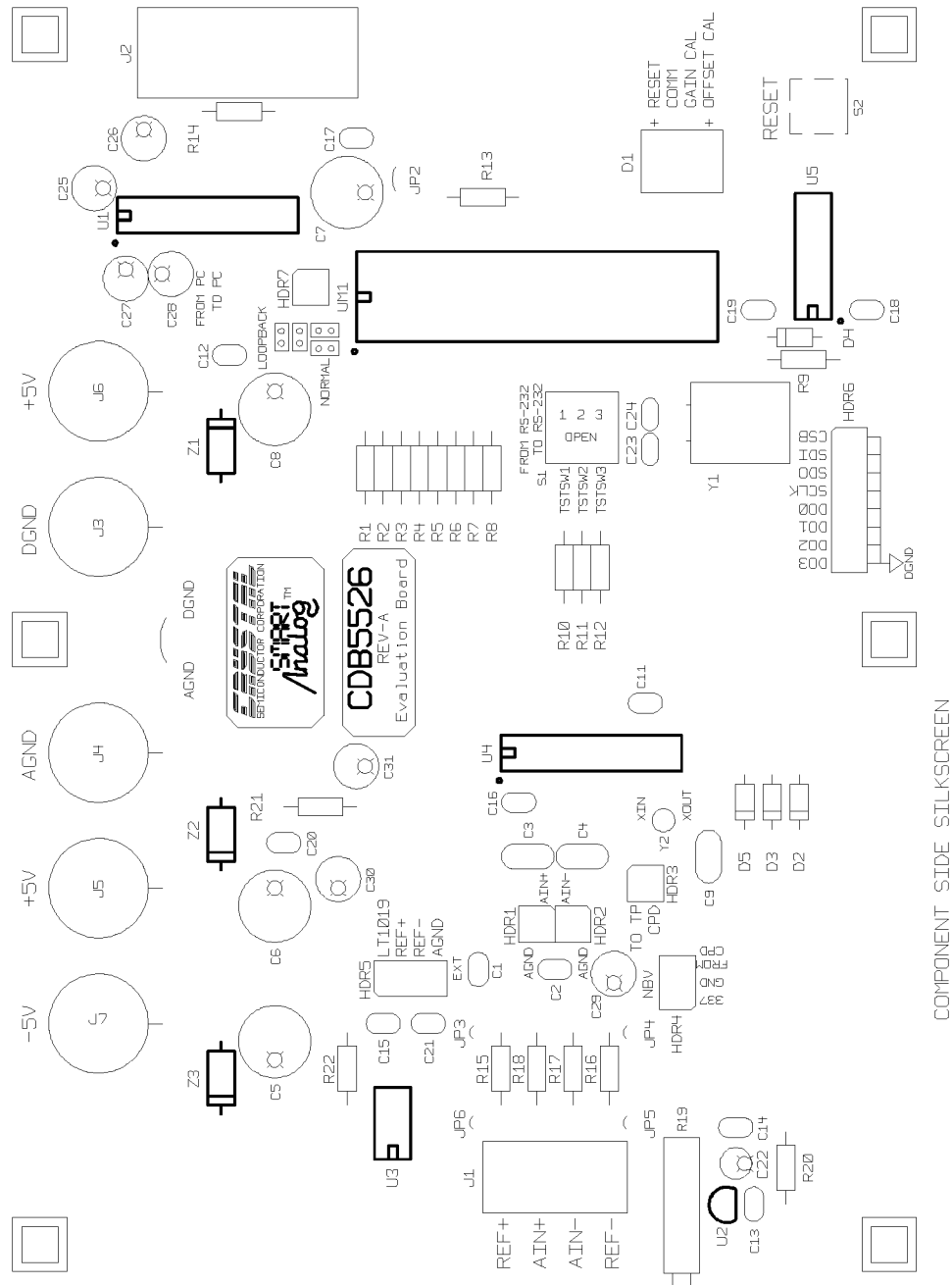


Figure 9. Histogram Analysis

**CRYSTAL SEMICONDUCTOR
CDB5526 CUSTOMER EVAL BOARD
CDB5526 REV-A**



COMPONENT SIDE SILKSCREEN

Figure 10. CDB5525/26 Component Side Silkscreen

CRYSTAL SEMICONDUCTOR
CDB5526 CUSTOMER EVAL BOARD
CDB5526 REV-A

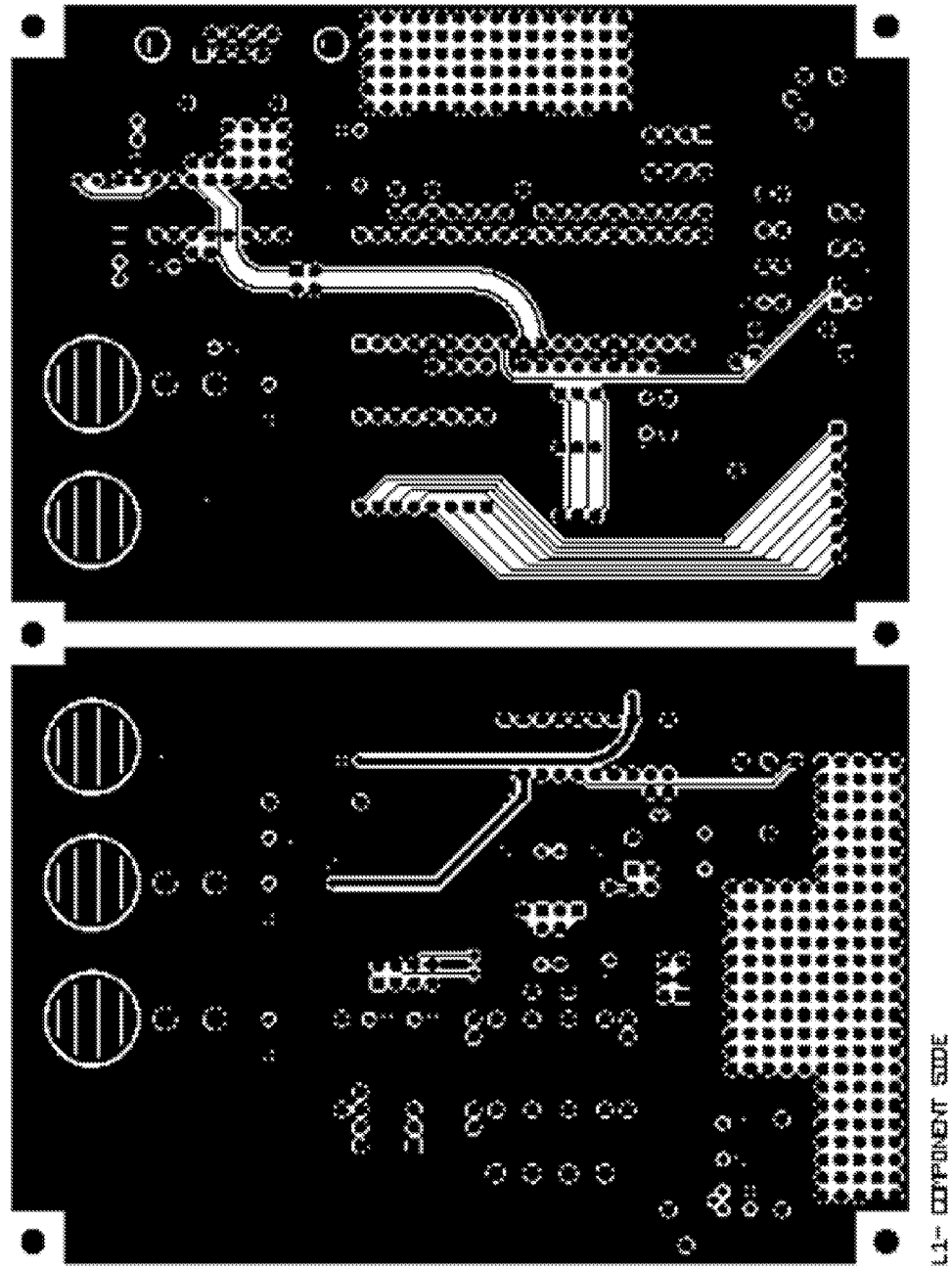


Figure 11. CDB5525/26 Component Side (top)

CRYSTAL SEMICONDUCTOR
CS5526 CUSTOMER EVAL BOARD
CDB5526 REV-A

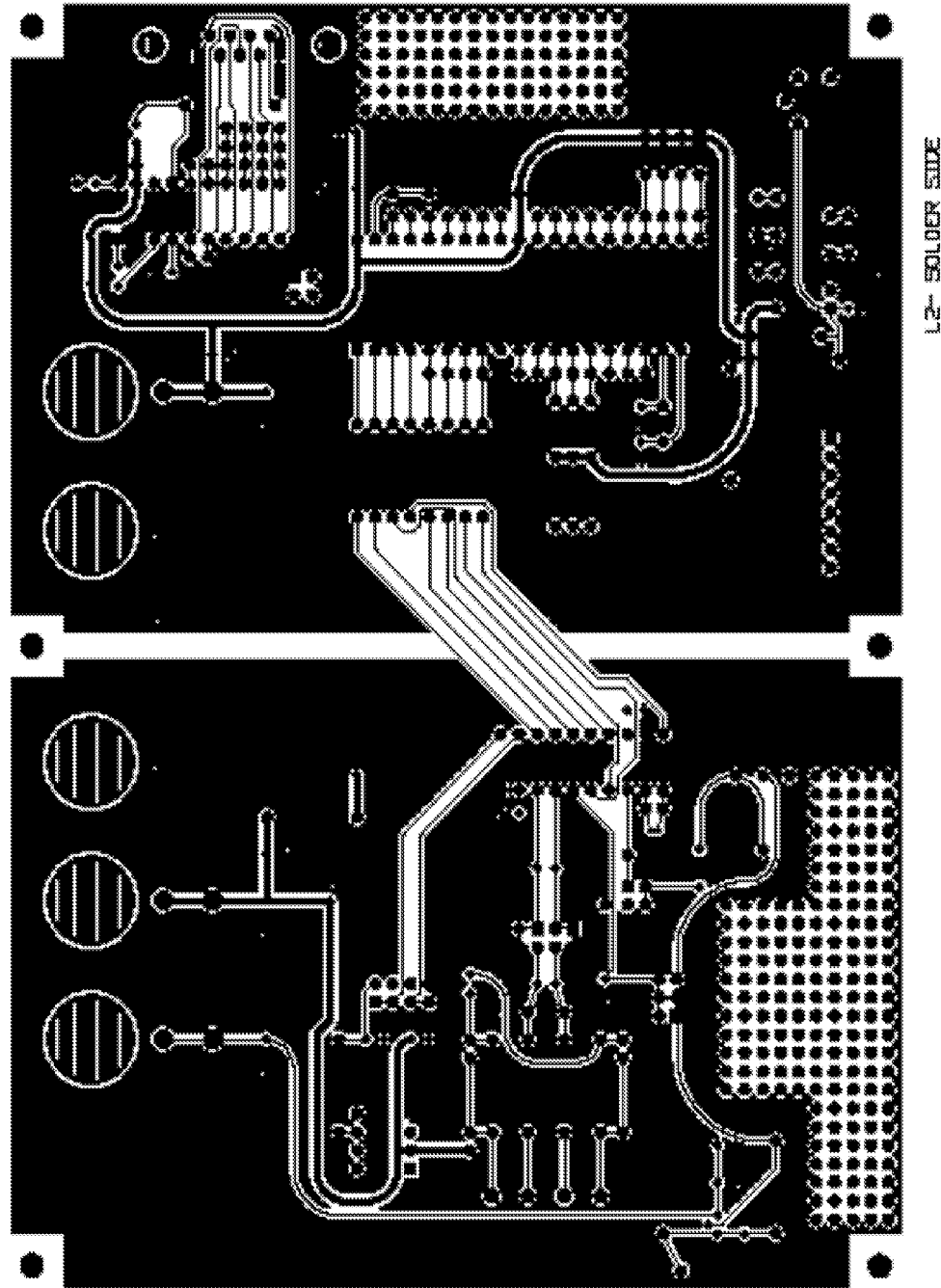


Figure 12. CDB5525/26 Solder Side (bottom)