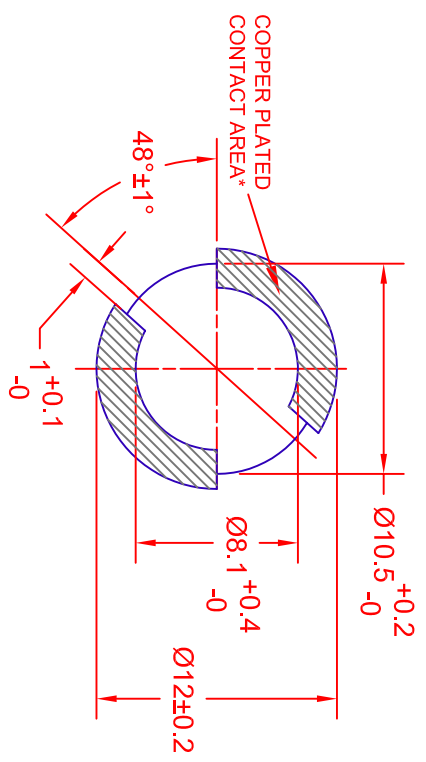
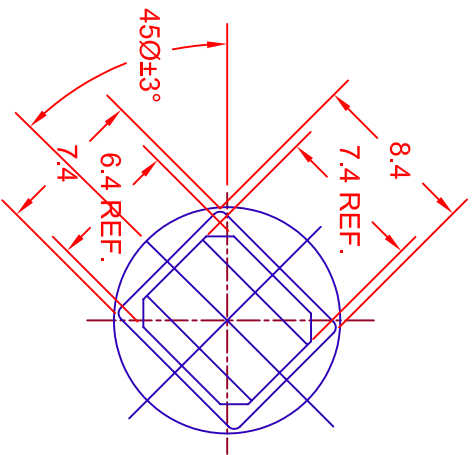
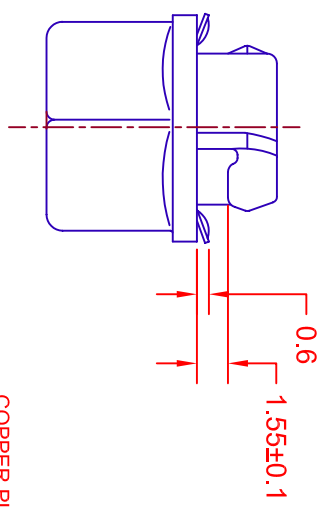
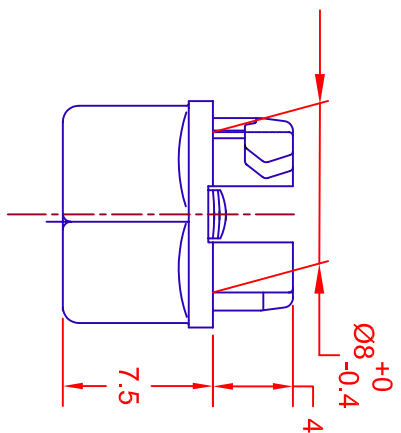
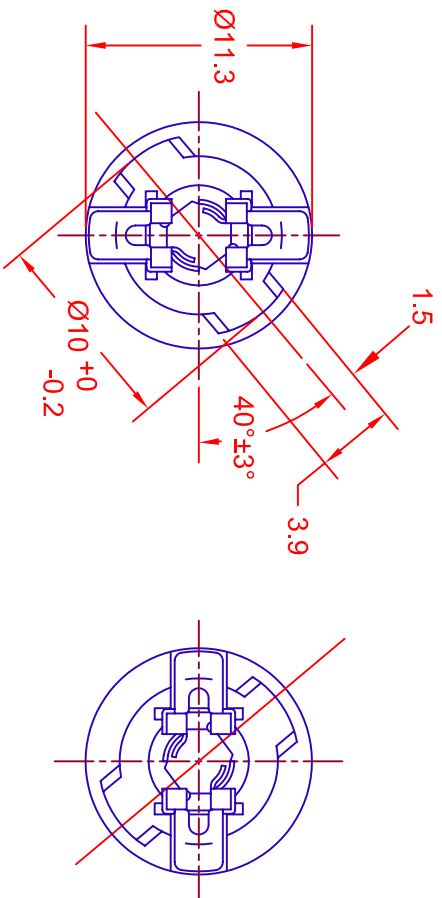


REV.	DESCRIPTION/ECO NO.	DATE
	RELEASED	10/30/01



P.C. BOARD PUNCH PATTERN
 * NO TREATMENT SUCH AS APPLICATION OF FLUX SHOULD BE DONE TO COPPER CONTACT PLATES ON PRINTED CIRCUIT BOARD.

JKL PART NO.: 2918B

SOCKET COLOR: BLACK

METRIC		DIMENSIONS ARE IN MILLIMETERS		TITLE	
 THIRD ANGLE PROJECTION		TOLERANCE UNLESS OTHERWISE SPECIFIED 1 PL +/- 0.2 2 PL +/- 0.20 ANGLE +/- 0		JKL COMPONENTS CORPORATION T-1 1/2 WEDGE BASE SOCKET	
DRAWN BY	DATE	APPR'D BY	DATE	SIZE	FSCM NO.
L. WENGSTROM	10/30/01	L.W.	10/30/01	A	55335
- CAD DRAWING -			SCALE	RELEASED	REVISION
MANUAL REVISIONS NOT PERMITTED			NONE	10/30/01	
				REV. NO.	SHEET
					1 OF 1