



LUMILEDS™ LUXEON® REBEL 11MM REFLECTIVE OPTIC



FEATURES / BENEFITS

- ▲ Only 11.5mm (0.453") maximum diameter
- ▲ Ideal for high packing density of LUXEON Rebel LEDs
- ▲ Adhesive backing for easy installation. Adhesive rated from -40°C to +120°C (-40°F to +248°F)
- ▲ Automatic alignment feature
- ▲ Spot & wide versions available
- ▲ Adhesive is approved to ESK-M3G162, WSK-3G184-A4 (Ford motor) & RES22LA06 type 2 (Rover)

MECHANICAL DIMENSIONS

7° "Spot" model
 11.5mm (0.453") top diameter
 11.2mm (0.433") base diameter
 10.0mm (0.249") height

13° "Wide" model
 9.7mm (0.433") top diameter
 11.2mm (0.433") base diameter
 3.8mm (0.142") height

APPLICATIONS

Ideal for use with the new LUXEON Rebel LEDs in any application, particularly those where LEDs need to be spaced very closely together.

- ▲ Spot lighting
- ▲ Flood lighting
- ▲ Accent lighting
- ▲ RGB color mixing

ORDERING INFORMATION

BASE LENSES		
Dialight P/N	Description	Degree*
OPC1-1-COL	7 degree "spot" model	7°
OPC1-2-COL	13 degree "wide" model	13°
*All angles refer to half divergence		

Dialight reserves the right to make changes at any time in order to supply the best product possible.

Dialight Lumidrives

York House • Weatherby Road • Long Marston, York, YO26 7NH
 Tel: 0845 6346161 • Fax: 0845 6346160 • www.dialight.com



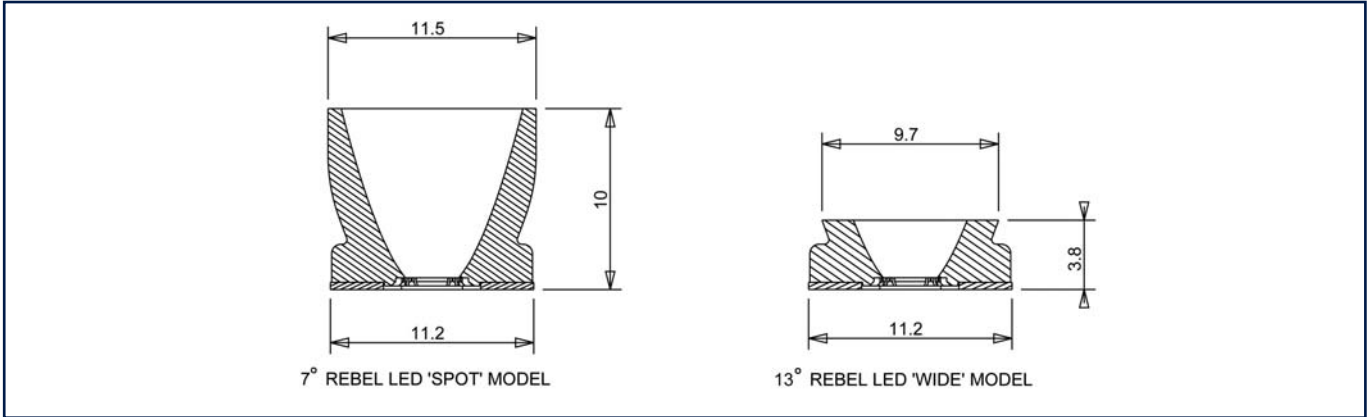
Dialight Corporation

1501 Route 34 South • Farmingdale, NJ 07727 USA
 Tel: (1) 732-919-3119 • Fax: (1) 732-751-5778 • www.dialight.com

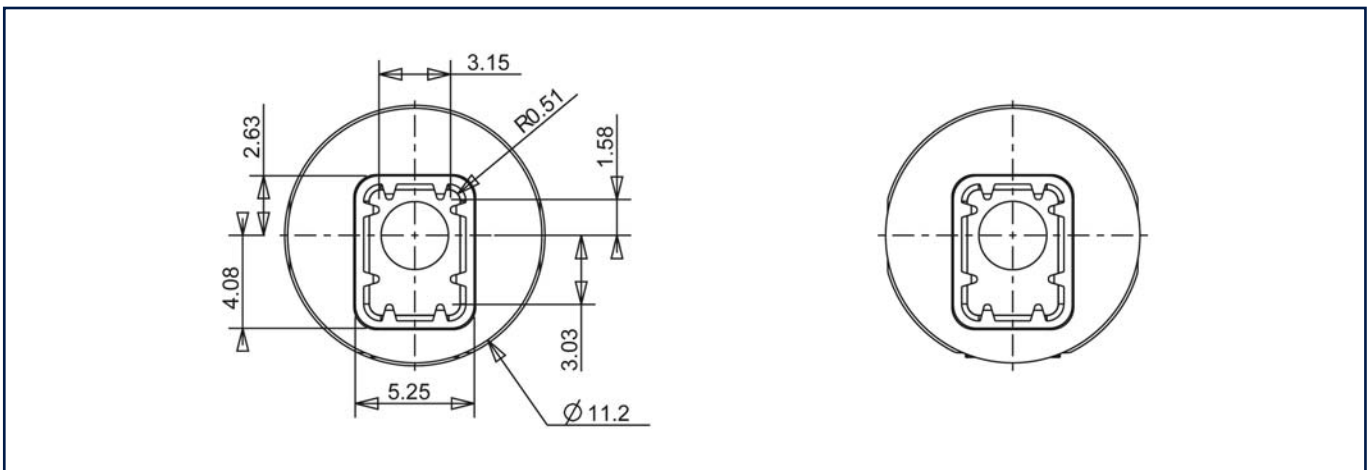


MDEXLUMREB10MM_E

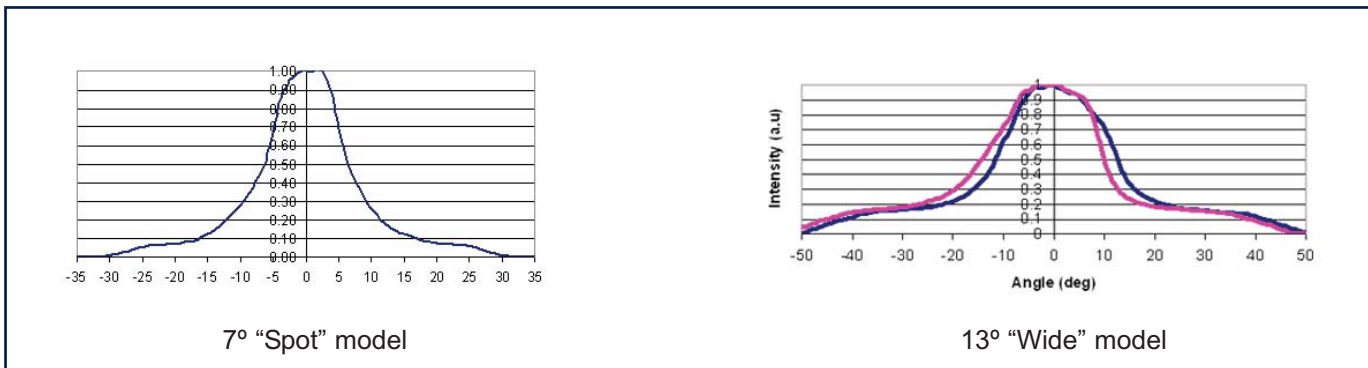
MECHANICAL DIMENSIONS



PCB ALIGNMENT DIMENSION DETAILS



PHOTOMETRIC DATA



Consult factory for IES files

Dialight reserves the right to make changes at any time in order to supply the best product possible.

Dialight Lumidrives

York House • Weatherby Road • Long Marston, York, YO26 7NH

Tel: 0845 6346161 • Fax: 0845 6346160 • www.dialight.com



Dialight Corporation

1501 Route 34 South • Farmingdale, NJ 07727 USA

Tel: (1) 732-919-3119 • Fax: (1) 732-751-5778 • www.dialight.com



MDEXLUMREB10MM_E