



E-Series Surface Mount Mixer 810 – 1000 MHz

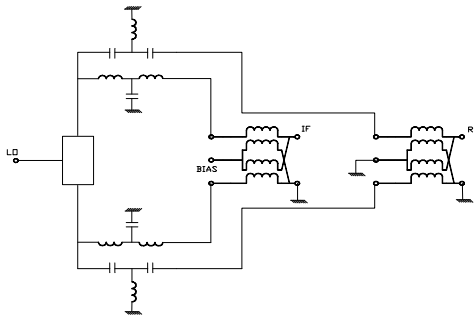
Features

- LO Power +13 dBm
- +22dB Compression Point
- Surface Mount
- +30dBm IIP3
- Up and Down converting

Description

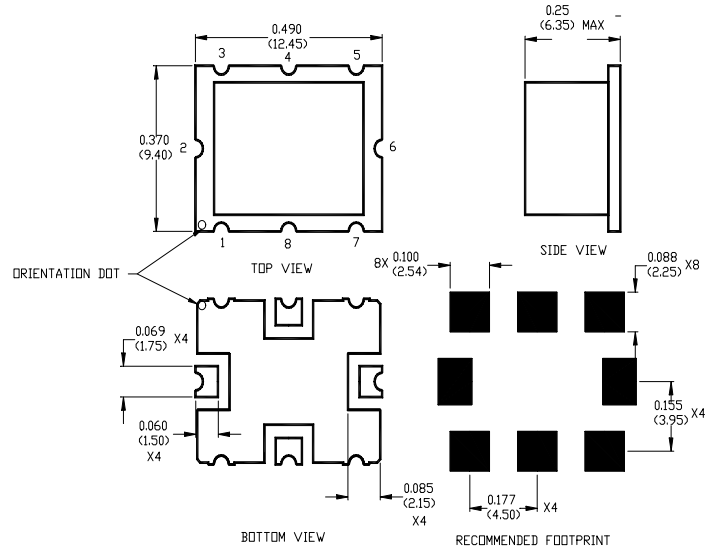
M/A-COM's EFM-900 is a low cost , high IP3 PHEMT mixer.

Schematic



SM-108 Package

Note: Non Hermetic Package



Electrical Specifications @ +25°C

Parameter	Units	Minimum	Typical	Maximum
Frequency Range	RF 810 - 1000 MHz LO 700 - 1000 MHz IF 10 - 100 MHz DC bias 3V ± 0.3V	—	—	—
Conversion Loss	810 - 1000 MHz	dB	8.5	9.5
L - R Isolation	700 - 1000 MHz	dB	18.0	22.0
L - I Isolation	700 - 1000 MHz	dB	25.0	33.0
R - I Isolation	810 - 1000 MHz	dB	30.0	37.0
LO VSWR	700 - 1000 MHz	—	1.8	
RF VSWR	810 - 1000 MHz	—	3.5	
IF VSWR	10 - 100 MHz	—	1.4	
Input IP3		dBm	28.0	30.0
Input 1dB Compression		dBm	—	+22.0

V1.00 S 1461 B

ADVANCED: Data Sheets contain information regarding a product M/A-COM Technology Solutions is considering for development. Performance is based on target specifications, simulated results, and/or prototype measurements. Commitment to develop is not guaranteed.

PRELIMINARY: Data Sheets contain information regarding a product M/A-COM Technology Solutions has under development. Performance is based on engineering tests. Specifications are typical. Mechanical outline has been fixed. Engineering samples and/or test data may be available. Commitment to produce in volume is not guaranteed.

• **North America** Tel: 800.366.2266 • **Europe** Tel: +353.21.244.6400
 • **India** Tel: +91.80.4155721 • **China** Tel: +86.21.2407.1588
 Visit www.macomtech.com for additional data sheets and product information.

M/A-COM Technology Solutions Inc. and its affiliates reserve the right to make

Absolute Maximum Ratings

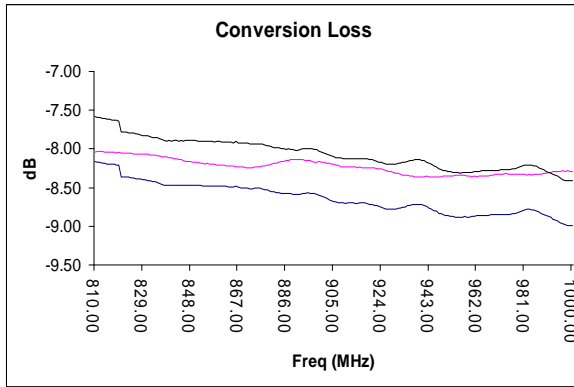
Parameter	Absolute Maximum
RF Power	200 mW
Peak IF Current	40 mA
Storage Temperature	-40°C to +85°C
Operating Temperature	-40°C to +85°C
ESD Rating	Zero

Pin Configuration

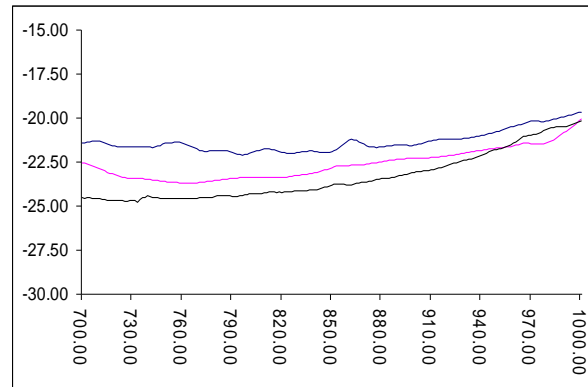
Function	Pin No.
LO	2
RF	6
IF	4
BIAS	8
Ground	1,3,5,7
Unconnected	—

Typical Performance

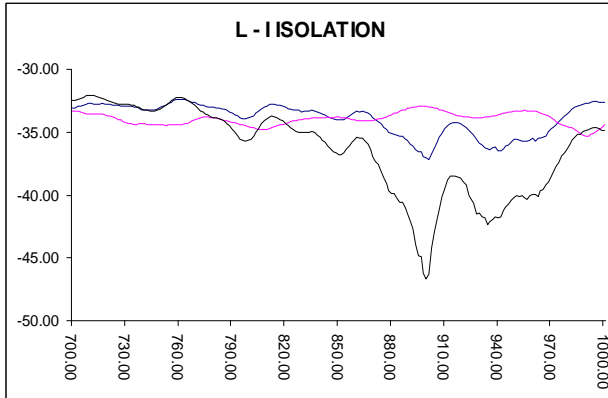
Conversion Loss



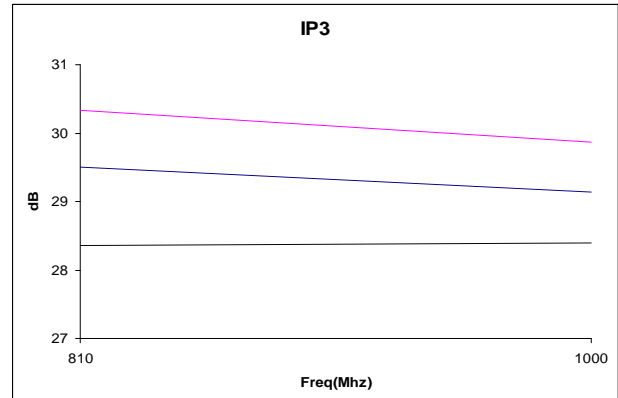
L - R Isolation



L-I Isolation



IIP3



1dB Compression Point

ADVANCED: Data Sheets contain information regarding a product M/A-COM Technology Solutions is considering for development. Performance is based on target specifications, simulated results, and/or prototype measurements. Commitment to develop is not guaranteed.

PRELIMINARY: Data Sheets contain information regarding a product M/A-COM Technology Solutions has under development. Performance is based on engineering tests. Specifications are typical. Mechanical outline has been fixed. Engineering samples and/or test data may be available. Commitment to produce in volume is not guaranteed.

• **North America** Tel: 800.366.2266 • **Europe** Tel: +353.21.244.6400
 • **India** Tel: +91.80.4155721 • **China** Tel: +86.21.2407.1588
 Visit www.macomtech.com for additional data sheets and product information.

M/A-COM Technology Solutions Inc. and its affiliates reserve the right to make

Spurious Table: 810MHz

(In dBc below IF, assuming down conversion)

		nf _{LO} - mf _{RF}				
RF	0	X	27	32	32	45
	1	25	0	53	43	59
	2	77	77	54	77	77
	(n)	3	77	77	77	77
		4	77	77	77	77
		0	1	2	3	4

LO (m)

RF = 810 MHz, -5dBm
 LO = 800 MHz, +13dBm
 IF = 10 MHz

Spurious Table: 810MHz

(In dBc below IF, assuming down conversion)

		nf _{LO} - mf _{RF}				
RF	0	X	29	32	30	37
	1	25	0	35	48	48
	2	77	77	58	73	77
	(n)	3	77	77	77	77
		4	77	77	77	77
		0	1	2	3	4

LO (m)

RF = 810 MHz, 0dBm
 LO = 710 MHz, +13dBm
 IF = 100 MHz

Spurious Table: 1000MHz

(In dBc below IF, assuming down conversion)

		nf _{LO} - mf _{RF}				
RF	0	X	19	23	26	34
	1	29	0	48	43	52
	2	77	77	53	77	77
	(n)	3	77	77	77	70
		4	77	77	77	77
		0	1	2	3	4

LO (m)

RF = 1000 MHz, 0dBm
 LO = 990 MHz, +13dBm
 IF = 10 MHz

Spurious Table: 1000MHz

(In dBc below IF, assuming down conversion)

		nf _{LO} - mf _{RF}				
RF	0	X	20	25	27	33
	1	28	0	45	43	53
	2	77	77	52	77	77
	(n)	3	77	77	77	77
		4	77	77	77	77
		0	1	2	3	4

LO (m)

RF = 1000 MHz, 0dBm
 LO = 900 MHz, +13dBm
 IF = 100 MHz

ADVANCED: Data Sheets contain information regarding a product M/A-COM Technology Solutions is considering for development. Performance is based on target specifications, simulated results, and/or prototype measurements. Commitment to develop is not guaranteed.
PRELIMINARY: Data Sheets contain information regarding a product M/A-COM Technology Solutions has under development. Performance is based on engineering tests. Specifications are typical. Mechanical outline has been fixed. Engineering samples and/or test data may be available. Commitment to produce in volume is not guaranteed.

• **North America** Tel: 800.366.2266 • **Europe** Tel: +353.21.244.6400
 • **India** Tel: +91.80.4155721 • **China** Tel: +86.21.2407.1588
 Visit www.macomtech.com for additional data sheets and product information.