

ASAHI KASEI®

A K 2 3 5 2

Integrated Base Band LSI for Cordless Telephone Sets with Scrambler**F e a t u r e s**

- Integrated voice band filters with MSK MODEM(2400bps), COMPANDOR and scrambler for cordless telephone sets
- Low voltage operation (2.8V~3.3V)
- Fully integrated COMPANDOR, only two external capacitors are required
- Buffer amplifier for direct drive of a ceramic receiver is available
- Switchable expander reception level (0/+6dB)
- Carrier detection
- Transmission and reception voice mute
- Limiter level is externally adjustable
- Gain setting amplifiers are available both for receiver and transmitter sections
- Power down mode
- 3.58MHz oscillator
- Frequency inverter scrambler, 4 inversion frequency are selectable
- Scrambler bypass control
- Low power CMOS
- Minimal external components
- Packaged in 64 pin QFP

ASAHI KASEI

General Description

AK2351 is an integrated base band LSI for cordless telephone sets. Not only voice band filters but also a 2400bps MSK MODEM (for data communication) and a COMPANDOR (for noise reduction) are integrated into monolithic CMOS LSI.

The COMPANDOR circuit is fully integrated. Therefore, only an external capacitor is required for each compressor and expander. The fully integrated COMPANDOR is also free from aging problem.

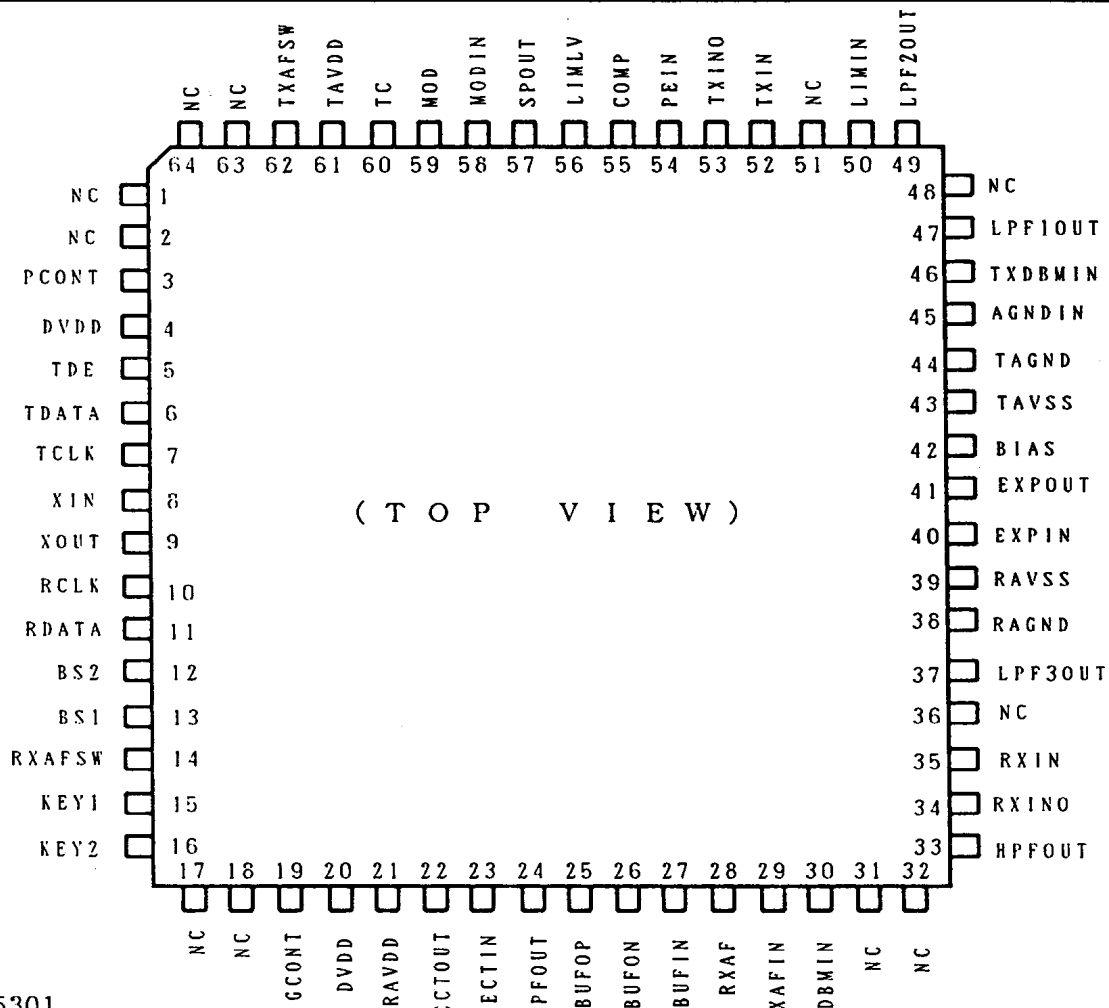
The 2400bps MSK MODEM can assure reliable high speed data communication. A 3.58MHz oscillator circuit is integrated, which may also be used for DTMF tone generator clock. No special clock is required for the MSK MODEM.

Frequency inverter is integrated for scrambling. Four inversion frequencies are selectable.

High-pass filter, compressor, pre-emphasis, scrambler, limiter, MSK modulator, splatter filter, etc. are integrated for transmitter.

Band-pass filter, de-emphasis, descrambler, expander, buffer, MSK demodulator, etc. for voice/data, and band-pass filter, rectifier, etc. for the squelch are integrated for receiver.

Pin Assignments



Circuit Configuration

Functional Block	Functions
AMP1	Op Amp for gain adjustment of voice signal to be transmitted and for the anti-aliasing filtering for the succeeding switched capacitor filter (SCF). Adjust the gain to be within 10~30dB and the filter cut-off frequency to be around 10KHz by properly selecting external capacitor and resistor values.
TxHFPF	SCF high pass filter to eliminate lower than 300Hz components contained in the transmitted voice signal.
Compress- -or	To compress the amplitude of the transmitted voice signal.
Emphasis	To emphasize the high frequency components in the transmitted voice signal in order to improve the signal-to-noise performance of the modulated signal.
Scrambler	Frequency inversion method is used for scrambling. Four inversion frequencies are selectable by KEY1 and KEY2. Scrambler or preemphasis circuit are selectable by PCONT.
Limiter	Amplitude limiting circuit to limit the maximum frequency deviation by the modulated signal. Limiter level is adjustable by varying DC level applied on "LIMLV" pin. The limiter level is set to a pre-fixed level if "LIMLV" pin is left open.
Splatter Filter	SC filter to reject higher than 3KHz components contained in the limiter output signal or MSK Modulator signal.
AMP2	Op Amp to form a smoothing filter for the transmitter SCF output. Adjust the gain to be 0dB and set the cut-off frequency to be around 10KHz by properly selecting external capacitor and resistor values.
MSK Modulator	Modulator to generate 2400bps MSK signal in accordance with digital input signal applied on TDATA pin. "H" : 1.2KHz "L" : 2.4KHz
AMP3	Op Amp for gain adjustment of demodulated received signal and for the anti-aliasing filtering for the succeeding SC filter. Adjust the gain to be within 10~20dB and set the cut-off frequency to be around 40KHz by properly selecting external capacitor and resistor values.
COS + RxLPF	SC filter to reject higher-than-3KHz components contained in the demodulated, received signal.
RxHFPF	SC filter to reject lower-than-300Hz components contained in the received voice signal.
De- Emphasis	To equalize back the pre-emphasized signal to flat level.
De- Scrambler	Inverted signal will be inverted again to recover original signal. Descrambler or deemphasis circuit are selectable by PCONT.

Functional Block	Function
Expander	To expand the signal amplitude compressed by the compressor circuit to flat scale. GCONT pin selects the expander gain of either 0dB or 6dB.
AMP4	Op Amp to form a smoothing filter for the receiver SCF output. Adjust the gain to be 0dB and set the cut-off frequency to be around 20KHz by properly selecting external capacitor and resistor values.
MSK HPF	SC filter to reject lower-than-100Hz components contained in the received MSK signal.
SMF	Active filter to smooth out the output signal from the MSK HPF.
MSK Demodulator	To Recover 2400 Bps receive data and clock from the MSK signal fed on RXIN pin. 1.2KHz : "H" 2.4KHz : "L"
SQ BPF	SC filter to pick up the 20KHz components from the received, demodulated signal for squelch control. The filter has 30dB gain
Rectifying Circuit	Full-wave rectifying circuit to rectify SQ BPF output signal.
AMP5 AMP6	Inverting, non-inverting buffers to directly drive a ceramic receiver. 220 OHM resistors are recommended to insert between these buffer outputs and the receiver terminals for phase compensation.
BIAS GEN	Bias generator circuit for internal Op Amps.
AGND	Ground Reference voltage generator circuit for internal analog signal processing.
OSC Circuit	A 3.58MHz reference clock generator with an external quartz Crystal resonator and a resistor.
Battery Saving	Battery save mode selection circuit. 1 of 4 modes is selectable by BS1 & BS2 pins.

P i n / F u n c t i o n D e s c r i p t i o n s

Pin#	Name	I/O	Function
1	NC	-	No Connection.
2	NC	-	No Connection.
3	PCONT	I	Scrambler/Emphasis selection control pin (with built in pull-up) "H" : Normal Mode (with emphasis) "L" : Scrambler Mode (without emphasis)
4	~DVSS	-	Negative power supply pin for digital circuit.
5	TDE	I	Transmit MSK signal control (with built in pull-up) "H" : MSK signal off (MUTE) "L" : MSK signal on
6	TDATA	I	Transmit MSK data input pin (with built-in pull-up). Data is synchronously read at the rising edge of TCLK clock.
7	TCLK	O	Clock output pin for transmit MSK data (open-drain output). 2.4KHz clock is output when TDE pin is "LOW". It stays "HIGH" when TDE is "HIGH".
8 9	XIN XOUT	I O	Quartz Crystal resonator pins. By connecting a 3.58MHz resonator and 1 MEG OHM resistor between these pins, a reference clock is generated. For external clock operation, connect XIN pin to DVSS and external clock source to XOUT pin.
10	RCLK	O	Clock output pin for receive MSK data (open-drain output). A 2.4KHz clock is output which is derived from the received MSK signal.
11	RDATA	O	Receive MSK data output pin (open-drain output). Data is synchronously output at the falling edge of RCLK clock.
12 13	BS2 BS1	I I	Battery save control pins (with built-in pull-ups). BS1 BS2 "H" "H" : Mode 0 (Refer to Block Diagram) "H" "L" : Mode 1 "L" "H" : Mode 2 "L" "L" : Mode 3
14	RXAFSW	I	Received voice signal control pin (with built-in pull-up). "H" : Received voice signal off (MUTE) "L" : Received voice signal on

Pin#	Name	I/O	Function	
15	KEY1	I	Scrambler inversion frequency control pin (with built in pull-up).	
16	KEY2	I		
	KEY1	KEY2		Carrier Frequency (kHz)
	"H"	"H"		3.107
	"H"	"L"		3.290
	"L"	"H"	3.496	
	"L"	"L"	3.729	
17	NC	-	No connection	
18	NC	-	No Connection	
19	GCONT	I	Expander gain control pin (with built-in pull-up) "H" : 0dB "L" : 6dB	
20	DVDD	-	Positive power supply pin for digital section.	
21	RAVDD	-	Positive power supply pin for analog receiver section.	
22	RECTOUT	0	Rectifier output pin for squelch circuit. Can drive 50k ohm load or more.	
23	RECTIN	I	Rectifier input pin for squelch circuit.	
24	BPFOUT	0	Band pass filter output pin for squelch circuit. Can drive 50k ohm load or more.	
25	BUFOP	0	Ceramic receiver buffer amp output pins. Connect a ceramic receiver to these pins via 220 OHM resistors.	
26	BUFON	0		
27	BUFIN	I	Receiver amp input pin.	
28	RXAF	0	Received voice signal output pin. Can drive 10k ohm load or more.	
29	RXAFIN	I	Received voice signal input pin (inverted input of AMP 4). A smoothing filter is formed with external capacitors and resistors.	
30	RXDBMIN	I	Receiver side double balanced mixer input	
31	NC	-	No Connection	
32	NC	-	No Connection	
33	HPFOUT	0	Receiver side high pass filter output pin. Connect to RXDBMIN through capacitor.	
34	RXINO	0	AMP3 output pin.	
35	RXIN	I	Received de-modulated signal input pin (inverted input of AMP3). A pre-filter is formed with external capacitors and resistors.	
36	NC		No Connection. Should be tied to VSS or VDD.	
37	LP3OUT	0	Deemphasis/Descrambler output pin. Should be connected to EXPIN through capacitor.	
38	RAGND	0	Analog ground pin for receiver section. An external capacitor should be connected to this pin to stabilize the analog ground.	
39	RAVSS	-	Negative analog power supply for receiver section.	

Pin#	Name	I/O	Function
40	EXPIN	I	Expander input pin. Input impedance of the pin is 150k ohm or more.
41	EXPOUT	O	Expander output pin.
42	BIAS	I	Bias resistor pin. A specified resistor is connect between VDD and this pin.
43	TAVSS	-	Negative analog power supply pin for transmitter section.
44	TAGND	O	Analog ground pin for transmitter section. An external capacitor is connected to this pin to stabilize the analog ground.
45	AGNDIN	I	Analog ground input pin. An external capacitor is connected to this pin to stabilize the analog ground.
46	TXDBMIN	I	Scrambler double balanced mixer input pin.
47	LPF1OUT	O	Scrambler filter output pin. Should be connected to TXDBMIN through capacitor.
48	NC	-	No connection.
49	LPF2OUT	O	Scrambler signal output pin. Should be connected to LIMIN through capacitor.
50	LIMIN	I	Limiter input pin.
51	NC	-	No connection.
52	TXIN	I	Transmit voice signal input pin (inverted input pin of AMP1). With external capapcitors and resistors, a microphone AMP is formed.
53	TXINO	O	Output pin of AMP1.
54	PEIN	O	Compressor output pin.
55	COMP	I	Compressor rectifier input pin. This should be connected to COMPO pin through an external capacitor. Input impedance of the pin is 150k ohm or more.
56	LIMLV	I	Limiter level adjust pin. Limiter level is adjustable by varying the DC level applied on this pin. If this pin is left open, a pre-determined level is set.
57	SPOUT	O	Splatter filter output pin.
58	MODIN	I	Transmit signal input pin to be modulated (inverted input pin of AMP2). With external capacitor and resistors, a smoothing filter is formed.
59	MOD	O	Transmit signal output pin to be modulated. Can drive 10k ohm load or more.
60	TC	I	Compressor bypass controle pin (with built-in pull-up) "H" : Normal mode "L" : bypass mode
61	TAVDD	-	Positive power supply pin for transmit section.
62	TXAFSW	I	Transmit signal select pin (with built-in pull-up) "H" : MSK signal "L" : Voice signal
63	NC	-	No connection.
64	NC	-	No Connection.

Absolute Maximum Ratings

TAVSS, RAVSS, DVSS=0V ; (Note①)

Parameter	Symbol	Min	Max	Units
Power Supply Voltages :				
Analog (TAVDD, RAVDD)	VA+	-0.3	7	V
Digital (DVDD)	VD+	-0.3	VA+	V
Input Current (Excluding power supply pins)	I _{IN}	-	± 10	mA
Analog Input Voltage	V _{INA}	-0.3	(VA+)+0.3	V
Digital Input Voltage	V _{IND}	-0.3	(VD+)+0.3	V
	V _{IND0} (Note②)	-0.3	7	V
Storage Temperature	T _{stg}	-55	130	°C

Notes ① : All voltages are referenced to VSS pin

② : TCLK, RCLK, RDATA

Note : Exceeding absolute maximum ratings may cause permanent damage.

Recommended Operating Conditions

TAVSS, RAVSS, DVSS=0V ; (Note①)

Parameter	Symbol	min	typ	max	Units
Ambient Operating Temp.	T _a	-10		70	°C
PowerSupply Voltage :R _{E1AΞ} =150KΩ (TAVDD,RAVDD,DVDD) R _{E1AΞ} =220KΩ	VDD	2.8	3.0	3.3 4.0	V
Analog Ground Reference Voltage	AGND		1/2VDD		V
Power Supply Current Mode0	1dd0		0.5	1.0	mA
Mode1	1dd1		1.1	2.1	
Mode2	1dd2		1.3	2.8	
Mode3	1dd		4.7	9.4	

Note① : All voltages are referenced to VSS pin.

Analog Characteristics

0dBm=0.775Vrms

1) TX Section

Parameter	min	typ	max	Units
Reference Input Signal Level @TXIN0		-10		dBm
Absolute Gain TXIN0→MOD 1KHz (Note①)	-1.5	0	1.5	dB
Limiter Level TXIN0→MOD 1KHz (Note①) (VDD=3V without External R) (Adjustable Range with R)	-9	-8	-7 -7	dBm
Noise Level TXIN→MOD (Note①)			-62	dBm
MSK Output Signal Level TDATA→MOD (Note①) (VDD=3V, 1.2KHz Output)	-9	-8	-7	dBm
MSK Signal Distortion TDATA→MOD (Note①) (VDD=3V, 1.2KHz Output)			-32	dB

Note① : Bypassing compressor and including preemphasis with external RC smoothing filter (fc=10KHz, 0dB Gain).

2) RX Section

Parameter	min	typ	max	Units
Reference Input Signal Level @RXIN0		-10		dBm
Absolute Gain RXIN0→LPF3OUT 1KHz	-1.5	0	1.5	dB
Noise Level RXIN0→LPF3OUT (Note②)			-65	dBm
Absolute Gain(2) RXIN0→BPFOUT 20KHz	27	30	33	dB
Noise Level(2) RXIN0→BPFOUT (Note③)			-35	dBm
Rectifier Linearity RECTIN→RECTOUT(Note④)	-0.5		0.5	dB
MSK Input Signal Level RXIN0→RDATA (VDD=3V, 1.2KHz Input)	-14	-8	-2	dBm

Note② : Including deemphasis, After 2nd order low pass filter (fc=10KHz)

Note③ : After 2nd order low pass filter (fc=30KHz)

Note④ : Rectifier linearity is defined as follows; $20 \text{ LOG} (2 A/B)$ [dB]

Where A [mV] is a DC level referenced to analog ground, measured at point "SQLV" when a 100mVrms sinewave is input on RECTIN pin in the application circuit examples at page 23 (refer to "rectifier output smoothing circuit").

B [mV] is a DC level measured at the same point when a 200mVrms sinewave is input on RECTIN pin.

3) Op-Amp

Parameter			min	typ	max	Units
Gain Error	AMP1	TXIN→TXIN0 300Hz~3.4KHz Pre-set Gain 10~30dB	-1	0	1	dB
	AMP3	RXIN→RXIN0 300Hz~20KHz Pre-set Gain 10~20dB	-1	0	1	dB
	AMP5 AMP6	BUFIN→BUFON 300Hz~3.4KHz BUFOP (Note⑤)	5	6	7	dB

Note⑤ : Measured at differential outputs between BUFON and BUFOP.

4) Filter Characteristics

Parameter			min	typ	max	Units
Transmitter Over-All Response (Fig.1)						
	TXIN0→MOD	100Hz			-30	
(Compressor bypassed, Preemphasis included Referenced to 0dB at 1KHz)		300Hz	-12	-10.5	-9	dB
		2.5KHz	6.5	8	9.5	
		3KHz	6.5	8	9.5	
		5KHz			-7	
Receiver Over-All Response (Fig.2)						
	RXIN0→LPF3OUT	100Hz			-4	
(Deemphasis included Referenced to 0dB at 1KHz)		250Hz		12	13.5	dB
		300Hz	9	10.5		
		3KHz	-10.5	-9	-7.5	
		5KHz			-15	
S Q B P F (Fig.3) RXIN0→BPFOUT						
		3KHz			-60	
(Referenced to 0dB at 20KHz)		10KHz			-30	dB
		100KHz			-45	

5) Crosstalk

Parameter			min	typ	max	Units
Transmit→Receive	@RXAF					
	TXIN0=0dBm	1KHz			-60	dBm
Receive→Transmit	@MOD					
	RXIN0=0dBm	1KHz			-60	dBm

Com p a n d o r C h a r a c t e r i s t i c

CONDITIONS : VDD=3V f=1KHz Ta=25°C 0dBm=0.775Vrms GCONT="H"

Parameter	MIN	TYP	MAX	UNIT	CONDITIONS
COMPRESSOR					
Reference Level	-11.0	-10.0	-9.0	dBm	@PEIN TXIN0=-10dBm
Maximum Input Level			0	dBm	@TXIN0
Maximum Output Level			-5.0	dBm	@PEIN Distortion better than -35dB
Output Level (Note①)	-18.0 -22.0	-17.0 -20.0	-16.0 -18.0	dB	@PEIN TXIN0=-44dBm TXIN0=-50dBm
Idle Noise		-55	-40	dBm	@PEINP (Note②)
Distortion		-55	-35	dB	@PEIN TXIN0=-10dBm
Attack Time	2.0	3.0	5.0	mS	12dB Step Input
Recovery Time	7.0	13.5	20.0	mS	12dB Step Input
EXPANDER					
Reference Level	-11.0	-10.0	-9.0	dBm	@EXPOUT EXPIN=-10dBm
Maximum Input Level			-5.0	dBm	@EXPIN
Maximum Output Level			0	dBm	@EXPOUT Distortion better than -35dB
Output Level (Note③)	-32.0 -43.0	-30.0 -40.0	-28.0 -37.0	dB	@EXPOUT EXPIN=-25dBm EXPIN=-30dBm
Idle Noise		-80	-65	dBm	@EXPOUT (Note②)
Distortion		-58	-35	dB	@EXPOUT EXPIN=-10dBm
Attack Time	7.0	13.5	20.0	mS	6dB Step Input
Recovery Time	7.0	13.5	20.0	mS	6dB Step Input

Note① : Referenced to 0dB at PEIN pin as reference level.

Note② : C-Message weighted.

Note③ : Referenced to 0dB at EXPOUT pin as reference level.

□ Filter Characteristics

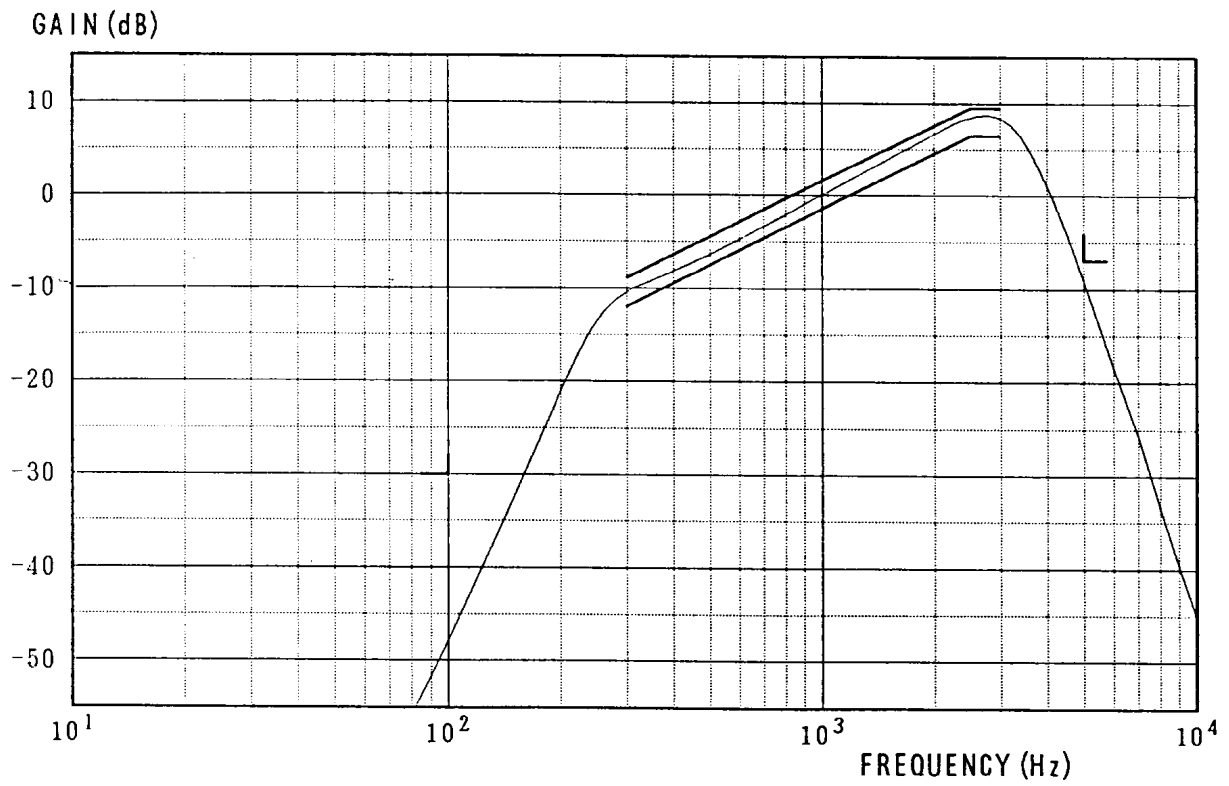


Fig.1 Total Frequency Response of Transmitter Section

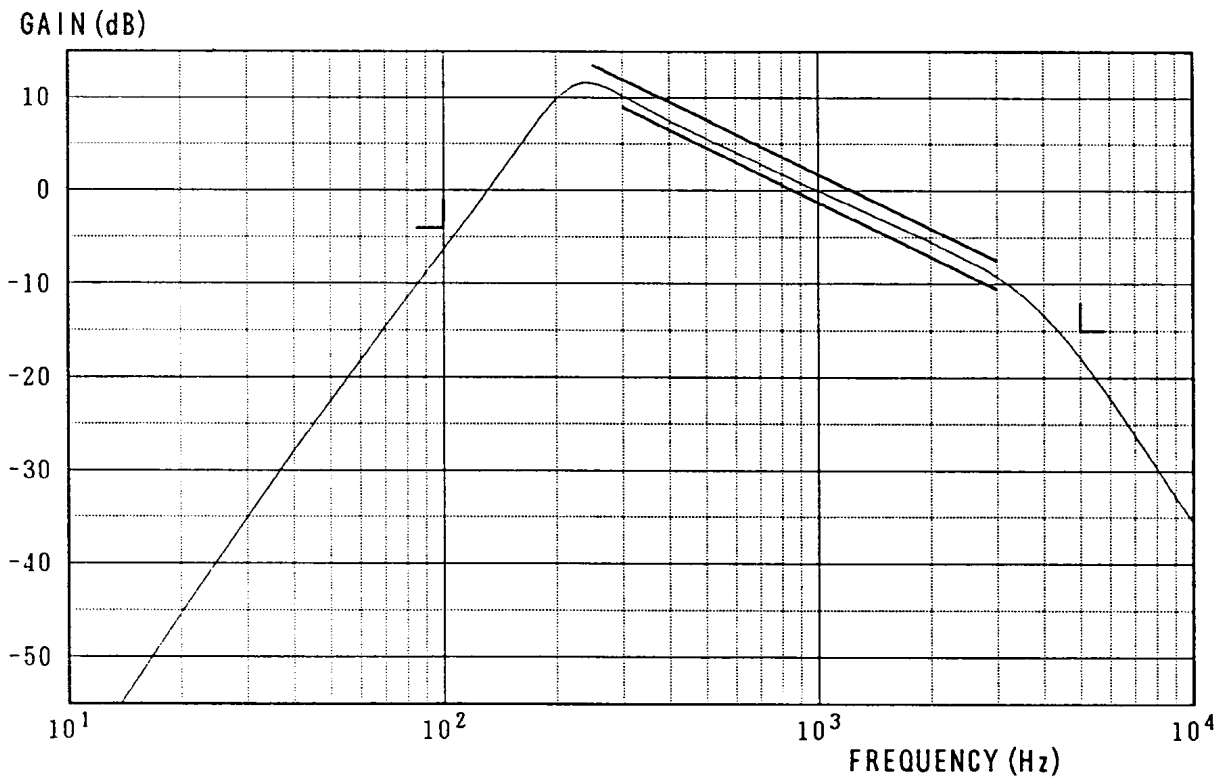


Fig.2 Total Frequency Response of Receiver Section

GAIN (dB)

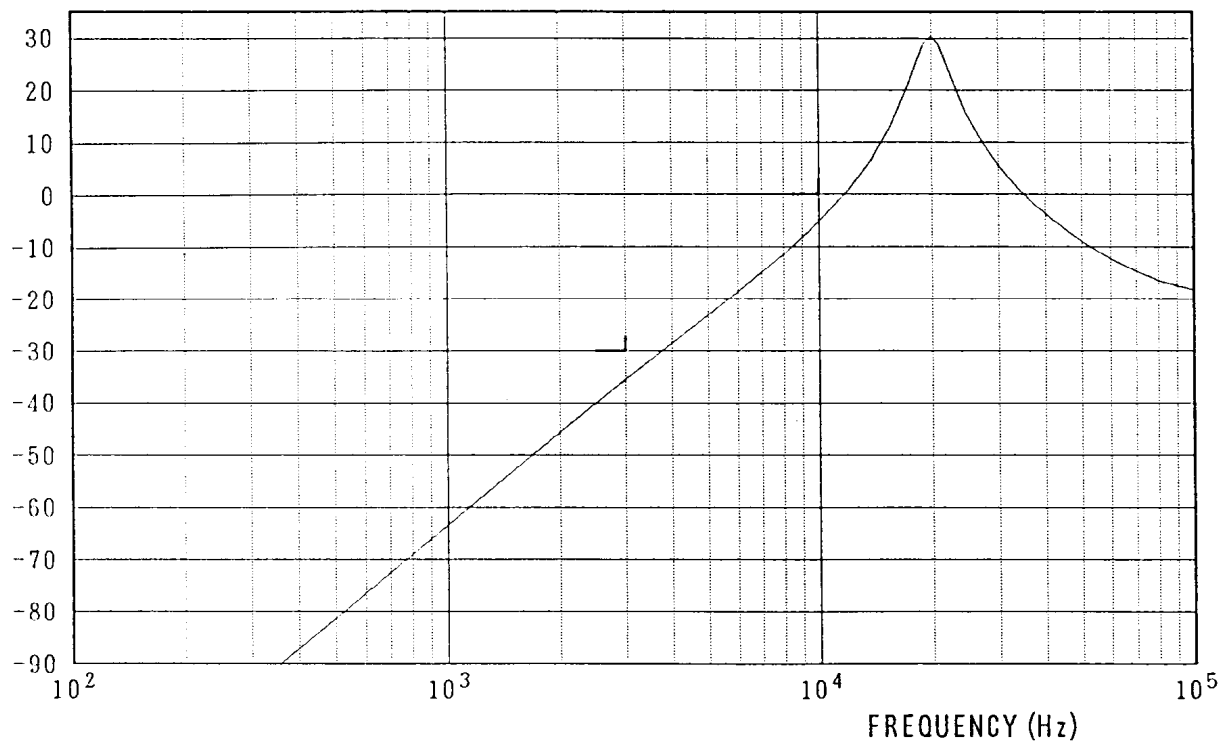


Fig.3 SQBPF Frequency Response

Digital Characteristics

1. DC Characteristics

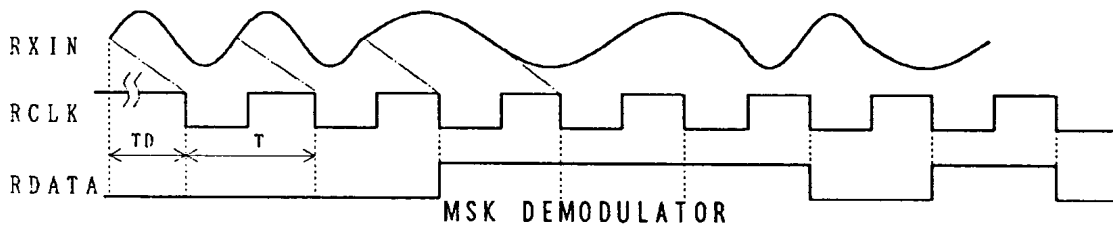
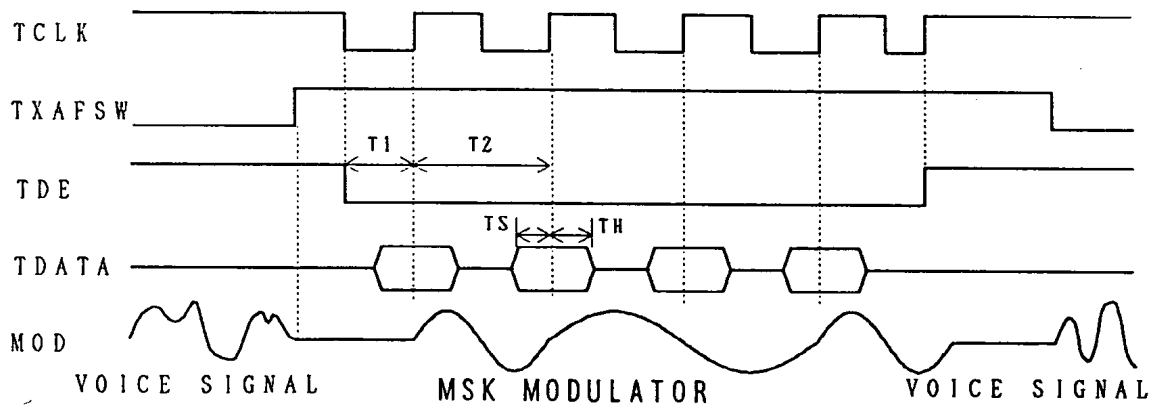
Parameter	Pin	Symbol	min	typ	max	Units
Input "High" Voltage	(1)	V_{IH}	70%VD+			V
Input "Low" Voltage	(1)	V_{IL}			30%VD+	V
Input "High" Current $V_{IH}=VD+$	(1)	I_{IH}			10	μA
Input "Low" Current $V_{IL}=0V$	(1)	I_{IL}	-150			μA
Output "Low" Voltage $I_{OL}=1.6mA$	(2)	V_{OL}			0.3	V
On-Chip Pull-Up Resistor Value	(1)	R_{UP}	50		200	K Ω

(1) TDE, TDATA, BS1, BS2, TXAFSW, RXAFSW, TC, GCONT, PCONT, KEY1 and KEY2.

(2) TCLK, RDATA, RCLK

2. Switching Characteristics

Parameter	Symbol	min	typ	max	Units
Master Clock Frequency	fclk		3.579545		MHz
Modulator Timing					
TDE Falling to TCLK Rising	T_1		208.3		μS
TCLK Period	T_2		416.7		μS
TDATA Set Up Time	T_S	10			μS
TDATA Hold Time	T_H	10			μS
MSK Demodulator Timing					
RCLK Period	T	402.2	416.7		μS
Analog Input to RDATA Edge	T_D	400		900	μS



Scrambler Characteristics

1) TX

Parameter	min	typ	max	Units															
Typical Input Level @TXDBIN 1kHz		-10		dBm															
Modulation Output Level TXDBMIN→LPF2OUT Input: 1kHz, -10dBm	-12	-10	-8	dBm															
<table border="1" style="width: 100%;"> <thead> <tr> <th>KEY1</th> <th>KEY2</th> <th>Frequency(kHz)</th> </tr> </thead> <tbody> <tr> <td>"H"</td> <td>"H"</td> <td>2.107</td> </tr> <tr> <td>"H"</td> <td>"L"</td> <td>2.290</td> </tr> <tr> <td>"L"</td> <td>"H"</td> <td>2.496</td> </tr> <tr> <td>"L"</td> <td>"L"</td> <td>2.729</td> </tr> </tbody> </table>					KEY1	KEY2	Frequency(kHz)	"H"	"H"	2.107	"H"	"L"	2.290	"L"	"H"	2.496	"L"	"L"	2.729
KEY1					KEY2	Frequency(kHz)													
"H"					"H"	2.107													
"H"					"L"	2.290													
"L"	"H"	2.496																	
"L"	"L"	2.729																	
High Frequency Rejection Ratio TXDBMIN→LPF2OUT Input: 1kHz, -10dBm			-20	dBm															
<table border="1" style="width: 100%;"> <thead> <tr> <th>KEY1</th> <th>KEY2</th> <th>Frequency(kHz)</th> </tr> </thead> <tbody> <tr> <td>"H"</td> <td>"L"</td> <td>4.290</td> </tr> </tbody> </table>	KEY1	KEY2	Frequency(kHz)	"H"	"L"	4.290													
KEY1	KEY2	Frequency(kHz)																	
"H"	"L"	4.290																	
Carrier Leakage @LPF2OUT, No Input			-50	dBm															
<table border="1" style="width: 100%;"> <thead> <tr> <th>KEY1</th> <th>KEY2</th> <th>Frequency(kHz)</th> </tr> </thead> <tbody> <tr> <td>"H"</td> <td>"L"</td> <td>3.290</td> </tr> </tbody> </table>	KEY1	KEY2	Frequency(kHz)	"H"	"L"	3.290													
KEY1	KEY2	Frequency(kHz)																	
"H"	"L"	3.290																	
Unscrambled Voice Leakage TXDBMIN→LPF2OUT Input: 1kHz, -10dBm			-50	dBm															
<table border="1" style="width: 100%;"> <thead> <tr> <th>KEY1</th> <th>KEY2</th> <th>Frequency(kHz)</th> </tr> </thead> <tbody> <tr> <td>"H"</td> <td>"L"</td> <td>1.000</td> </tr> </tbody> </table>	KEY1	KEY2	Frequency(kHz)	"H"	"L"	1.000													
KEY1	KEY2	Frequency(kHz)																	
"H"	"L"	1.000																	
Transmit Scrambler Filter Absolute Gain TXINO→LPF1OUT Input: 1kHz, -10dBm Note①	-1.5	0	1.5	dBm															
Transmit Scrambler Filter Noise Level @LPF1OUT, No Input Note①			-65	dBm															

Note ① : Bypass COMPRESSOR with external RC smoothing filter (fc=10kHz and 0dB gain).

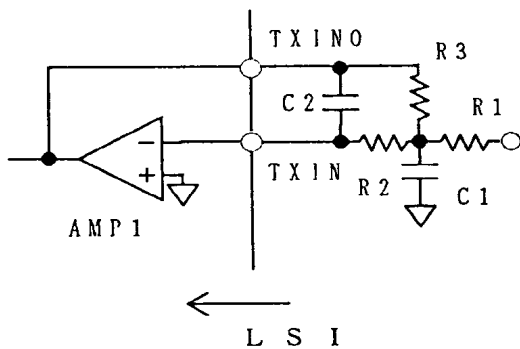
2) RX

Parameter	min	typ	max	Units		
Typical Input Level @RXDBIN 1kHz		-2		dBm		
Modulation Output Level RXDBMIN→LPF3OUT Input: 1kHz, -2dBm	-12	-10	-8	dBm		
KEY1					KEY2	Frequency(kHz)
"H"					"H"	2.107
"H"					"L"	2.290
"L"					"H"	2.496
"L"	"L"	2.729				
High Frequency Rejection Ratio RXDBMIN→LPF3OUT Input: 1kHz, -2dBm			-40	dBm		
KEY1	KEY2	Frequency(kHz)				
"H"	"L"	4.290				
Carrier Leakage @LPF3OUT, No Input			-60	dBm		
KEY1	KEY2	Frequency(kHz)				
"H"	"L"	3.290				
Unscrambled Voice Leakage RXDBMIN→LPF3OUT Input: 1kHz, -10dBm			-50			
KEY1	KEY2	Frequency(kHz)				
"H"	"L"	1.000				

A. External circuit examples

① AMP1

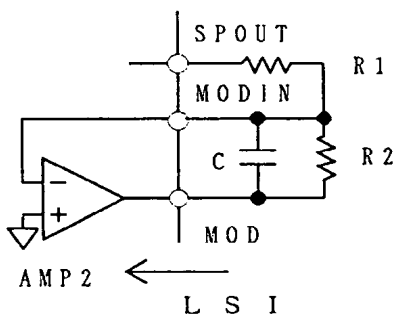
- This is used as a transmit Mic Amp.
- Set the gain to be within 10~30dB.
- If noise higher than 50KHz on input signal is expected, an anti-aliasing filter must be included.
- A circuit configuration example below shows 2nd order low pass filter with the cut-off frequency at 10KHz. The filter also has 30dB gain.



$C1 = 2200 \text{ pF}$
 $C2 = 33 \text{ pF}$
 $R1 = R2 = 10 \text{ k } \Omega$
 $R3 = 330 \text{ k } \Omega$

② AMP2

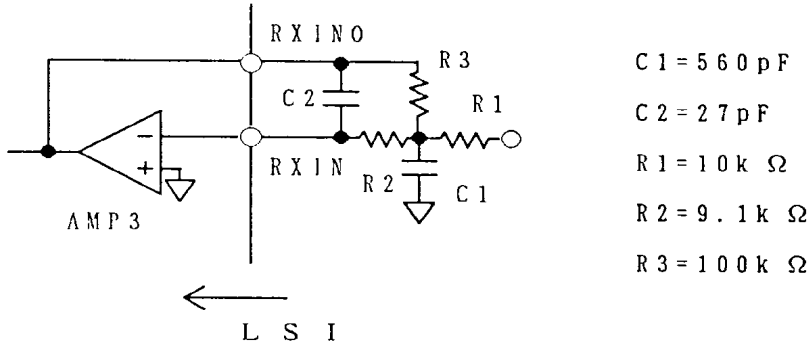
- This is used as smoothing filter and gain adjustment of the transmit signal.
- Smoothing filter is used to eliminate a 112KHz clock component contained in the splatter filter output.
- The circuit example below shows a 1st order low pass filter with the cut-off frequency set at 13KHz and it has 0dB gain.



$C = 220 \text{ pF}$
 $R1 = R2 = 56 \text{ k } \Omega$

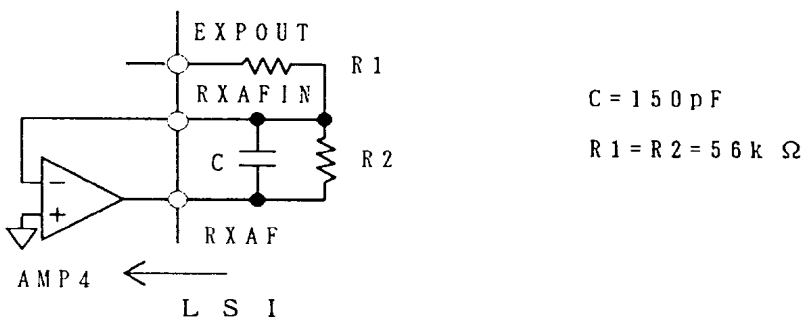
③ AMP3

- AMP3 is used as gain adjustment of receive signal and an anti-aliasing filter to eliminate higher-than-100KHz noise.
- Set the gain to be around 10~20dB.
- The cut-off frequency of the filter should be selected to such a value that the pass-band noise (20KHz) of the squelch band pass filter (SQBPF) is not rejected.
- Following circuit shows a 2nd order low pass filter with the cut-off frequency set at 40KHz. The filter also has 20dB gain.



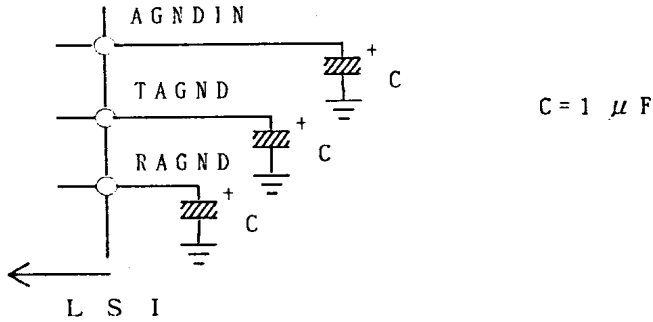
④ AMP4

- AMP4 configures a smoothing filter and a gain adjustment circuit for the receive signal.
- The smoothing filter is used to reject 448KHz clock component contained in the expander output (EXPOUT).
- Following circuit example shows a 1st order low pass filter with the cut-off frequency set at 19KHz. The filter has 0dB gain.



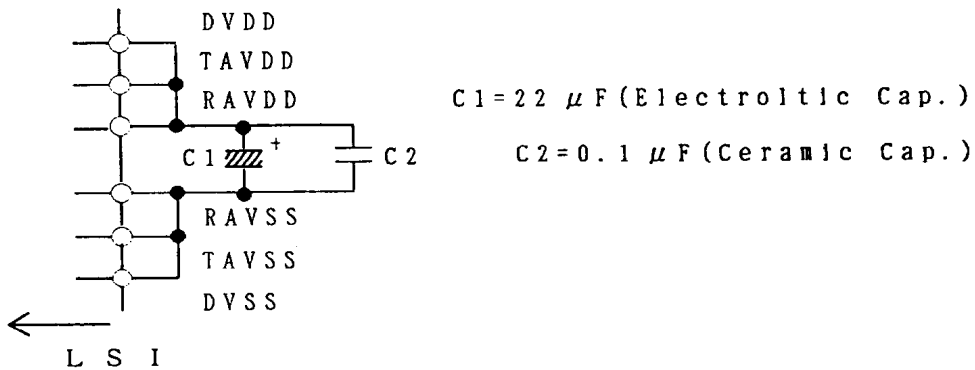
⑤ AGND stabilization capacitor

- $0.3 \mu\text{F}$ or larger capacitors should be connected between TAGND, RAGND pins and AVSS respectively in order to stabilize analog ground.
- In order to minimize effect of ripple on power-supply, an appropriate capacitor is also recommended to place between AGNDIN pin and AVSS.
- Connection Example is shown below.



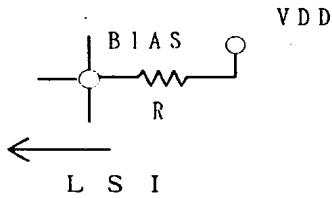
⑥ Power supply stabilization capacitor

- To minimize the effect of power supply noise, a couple of capacitors should be placed between DVDD, TAVDD, RAVDD pins and DVSS, TAVSS, RAVSS pins.



⑦ Bias-current setting resistor

- Bias-current of Op Amp is set by connecting a resistor between Bias Pin and VDD.
- A 150K OHM (220K OHM) resistor is recommended at VDD=3V (VDD=4V) operation.

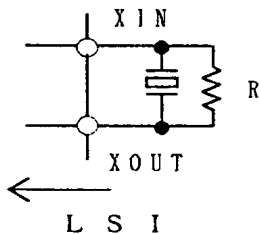


$R = 150\text{ k } \Omega$ (VDD=3V)

$R = 220\text{ k } \Omega$ (VDD=4V)

⑧ Crystal Oscillator

- Crystal resonator and a resistor should be connected as shown below for on-chip oscillator operation.
- For external clock operation, connect XIN pin to VSS and an external clock source to XOUT pin. Be careful not to exceed clock amplitude beyond the maximum ratings.



Frequency: 3.58MHz

or 3.579545MHz

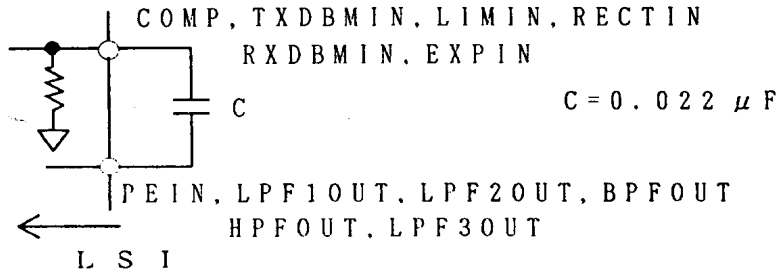
$R = 1\text{ M } \Omega$

Copyright (c) 1988-93 Reed Publishing (USA) Inc.
ALL RIGHTS RESERVED.

THIS IMAGE DATABASE HAS BEEN CREATED BY CAHNERS TECHNICAL INFORMATION SERVICE, A DIVISION OF REED PUBLISHING (USA)., AND IS PROPRIETARY TO CAHNERS TECHNICAL INFORMATION SERVICE. NO PART OF THIS DATABASE MAY BE DUPLICATED IN HARD COPY OR MACHINE READABLE FORM WITHOUT PRIOR WRITTEN AUTHORIZATION FROM CAHNERS TECHNICAL INFORMATION SERVICE, EXCEPT THAT LICENSEE IS GRANTED A LIMITED, NON-EXCLUSIVE LICENSE TO REPRODUCE LIMITED PORTIONS OF THE DATABASE FOR LICENSEE'S INTERNAL USE PROVIDED THAT A SUITABLE NOTICE OF COPYRIGHT IS INCLUDED ON ALL COPIES. UNDER NO CIRCUMSTANCES MAY COPIES BE MADE FOR RESALE IN ANY MEDIA.

⑨ AC Coupling Capacitors

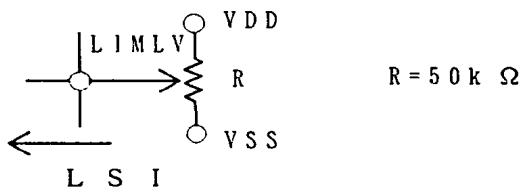
-In order to cut the DC off-set voltages generated in each function block, coupling capacitors are recommended for inter-block connections.



⑩ Limiter Level Adjusting Resistor

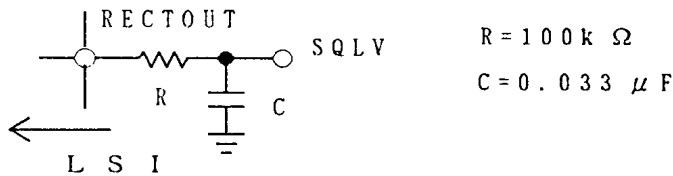
- Limiter level is adjustable by varying the DC level on LIMLV pin.
- The DC level applied on this pin must be above TAGND.
- The limit level is as follows :

$$\text{TAGND} \pm aV \quad (a = | \text{LIMLV} - \text{TAGND} |)$$
- If this pin is left unconnected, a pre-determined level is set.



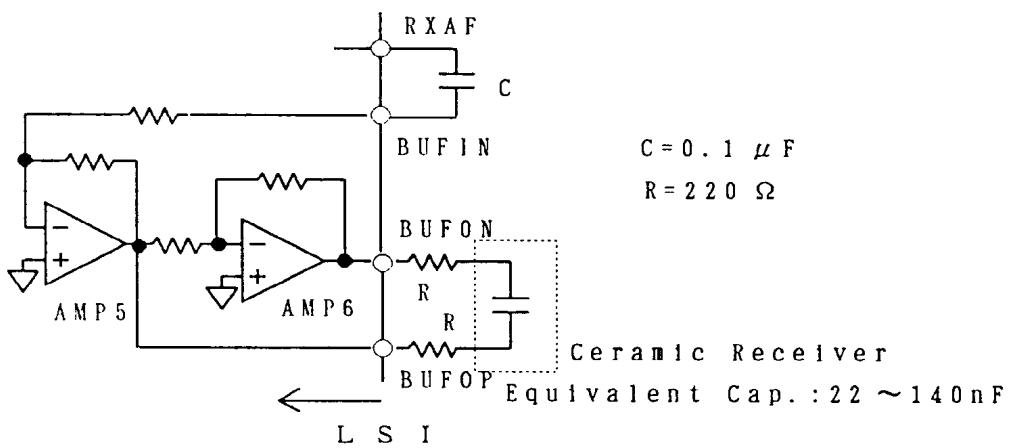
⑪ Rectifier Output Smoothing Circuit

- A resistor and a capacitor should be connected as shown below in order to smooth out to a DC level a full-wave rectified output signal on RECTOUT pin.
- DC voltage at point "SQLV" below becomes equal to TAGND level when no signal is applied on rectifier input pin (RECTIN).
- SQLV Voltage will be RAGND + 0.2V when a 20KHz with -10dBm signal is input to RECTIN pin.
- SQLV voltage is used to determine the existence / non-existence of signal through succeeding comparator or AD converter.



⑫ Buffer Amp. for Ceramic Receiver

- Amp5 and Amp6 form a differential output buffer to enable direct drive of a ceramic receiver.
- Serial resistors should be inserted to avoid oscillation.



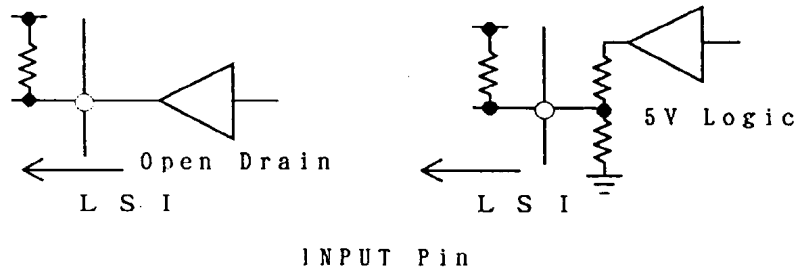
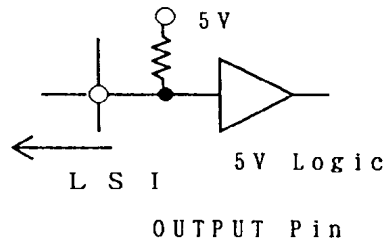
B. Logic Interface

① Digital Pins of AK2352

-Output pins : Open-Drain type

-Input pins : All pins have on-chip pull-up resistors except for TC pin.

② Following logic interface is recommended when AK2352 operates at 3V power supply and it interfaces with +5V logic circuit.



P a c k a g e

Making

- (1) Date Code: xxxxxxx (7 digits)
- (2) Marketing Code: AK2352
- (3) Country of Origin: JAPAN
- (4) Asahi Kasei Logo

