

**VI TELEFILTER****Filter Specification****TFS 174****1/5****Measurement condition**

Ambient temperature $T_A$ :	25 °C ± 2°C		
Input power level:	0 dBm		
Terminating impedances at $f_C$ : *	input:	890 Ω // -9,3 pF	
	output:	820 Ω // -8,3 pF	

**Characteristics**

Remark: Reference level for the relative attenuation  $a_{rel}$  of the **TFS 174** is the minimum of the pass band attenuation  $a_{min}$ . The minimum of the pass band attenuation  $a_{min}$  is defined as the insertion loss  $a_e$ . The centre frequency  $f_C$  is the arithmetic mean value of the upper and lower frequencies at the 3 dB filter attenuation level relative to the insertion loss  $a_e$ . The nominal frequency  $f_N$  is fixed at 174,2 MHz without tolerance. The given values for the relative attenuation  $a_{rel}$  and for the group delay ripple have to be reached at the frequencies given below even if the centre frequency  $f_C$  is shifted due to the temperature coefficient of frequency  $TC_f$  in the operating temperature range and due to a production tolerance for the centre frequency  $f_C$ .

Data		typ. value	tolerance / limit	
<b>Insertion loss</b> (reference level)	$a_e$	6,6 dB	max.	8,0 dB
<b>Nominal frequency</b>	$f_N$	-	174,2	MHz
<b>Centre frequency</b>	$f_C$	174,2 MHz	-	
<b>Passband</b>	PB		$f_N \pm$	0,067 MHz
<b>Amplitude ripple in PB</b>	p-p	-	max.	0,25 dB
<b>3 dB bandwidth</b>	BW	0,74 MHz	min.	0,66 MHz
<b>Relative attenuation</b>	$a_{rel}$			
$f_N$ .....	$f_N \pm 0,067$ MHz	0,1 dB	max.	0,25 dB
$f_N \pm 0,067$ MHz .....	$f_N \pm 0,125$ MHz	0,1 dB	max.	1,00 dB
$f_N \pm 0,125$ MHz .....	$f_N \pm 0,200$ MHz	0,3 dB	max.	1,20 dB
$f_N \pm 0,2$ MHz .....	$f_N \pm 0,330$ MHz	2 dB	max.	3 dB
$f_N \pm 0,469$ MHz .....	$f_N \pm 0,600$ MHz	10 dB	min.	4 dB
$f_N \pm 0,600$ MHz .....	$f_N \pm 0,860$ MHz	20 dB	min.	11 dB
$f_N \pm 0,860$ MHz .....	$f_N \pm 1,200$ MHz	32 dB	min.	20 dB
$f_N \pm 1,200$ MHz .....	$f_N \pm 6,000$ MHz	46 dB	min.	40 dB
$f_N - 154,200$ MHz .....	$f_N - 6,000$ MHz	70 dB	min.	50 dB
$f_N + 6,000$ MHz .....	$f_N + 225,800$ MHz	70 dB	min.	50 dB
<b>Absolute group delay in PB</b>		2,1 µs	max.	2,6 µs
<b>Group delay variation in PB</b>		100 µs	max.	260 ns
<b>Input power level</b>		-	max.	20 dBm (***)
<b>Return loss in PB</b>		13 dB	min.	10 dB
<b>Temperature coefficient of frequency <math>Tc_f</math> **</b>		- 0,04 ppm/K <sup>2</sup>	-	
<b>Operating temperature range</b>		-	-5 °C ...	+ 85 °C
<b>Storage temperature range</b>		-	-40 °C ...	+ 85 °C
<b>Frequency inversion temperature <math>T_0</math></b>		+ 33 °C	-	

\*) The terminating impedances depend on parasitics and q-values of matching elements and the board used, and are to be understood as reference values only. Should there be additional questions do not hesitate to ask for an application note or contact our design team.

\*\*) This power level is allowed for short term operation only. The max. input power for continuous operation is max. 15 dBm only.

generated:

checked / approved:

**VI TELEFILTER**

Potsdamer Straße 18

D 14 513 TELTOW / Germany

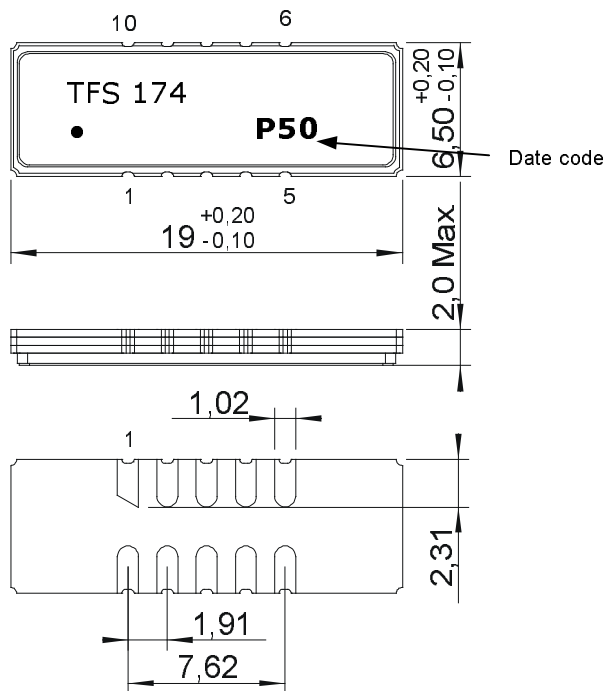
Tel: (+49) 3328 4784-0 / Fax: (+49) 3328 4784-30

E-Mail: [tft@telefilter.com](mailto:tft@telefilter.com)

VI TELEFILTER reserves the right to make changes to the product(s) and/or information contained herein without notice. No liability is assumed as a result of their use or application. No rights under any patent accompany the sale of any such product(s) or information.

**Construction and pin connection**

(all dimensions in mm)



1	Input RF Return
2	Ground
3	Ground
4	Ground
5	Output
6	Output RF Return
7	Ground
8	Ground
9	Ground
10	Input

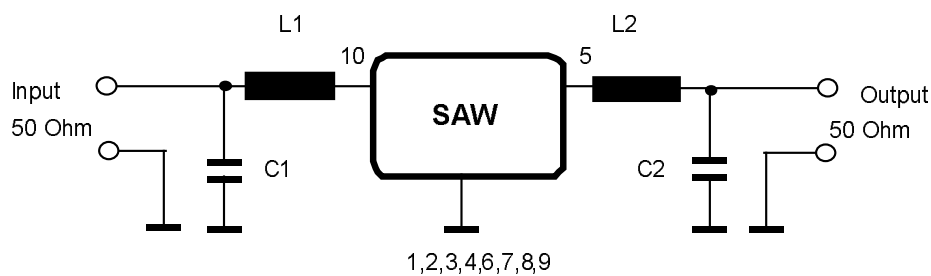
Date code: Year+week

M 2000

N 2001

P 2002

...

**50 Ω test circuit****VI TELEFILTER**

Potsdamer Straße 18

D 14 513 TELTOW / Germany

Tel: (+49) 3328 4784-0 / Fax: (+49) 3328 4784-30

E-Mail: [tft@telefilter.com](mailto:tft@telefilter.com)

VI TELEFILTER reserves the right to make changes to the product(s) and/or information contained herein without notice. No liability is assumed as a result of their use or application. No rights under any patent accompany the sale of any such product(s) or information.

**Stability Characteristics**

After the following tests the filter shall meet the whole specification:

1. Shock: 500g, 18 ms, half sine wave, 3 shocks each plane;  
DIN IEC 68 T2 - 27
2. Vibration: 10 Hz to 500 Hz, 0,35 mm or 5g respectively, 1 octave per min, 10 cycles per plan, 3 plans;  
DIN IEC 68 T2 - 6
3. Change of temperature: -55 °C to 125°C / 30 min. each / 10 cycles  
DIN IEC 68 part 2 – 14 Test N
4. Resistance to solder heat (reflow): reflow possible: twice max.;  
for temperature conditions, please refer to the attached "Air reflow temperature conditions" on page 4;

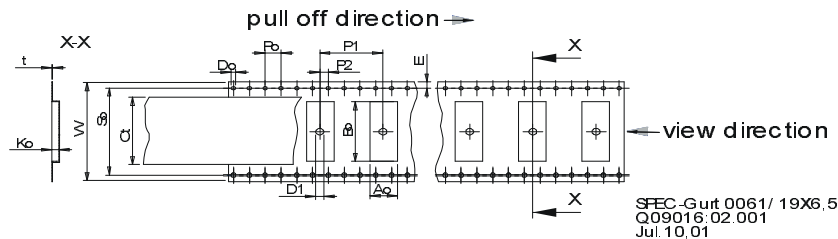
**Packing**

Tape & Reel: DIN IEC 286 - 3, with exception of value for N and minimum bending radius;  
tape type II, embossed carrier tape with top cover tape on the upper side;

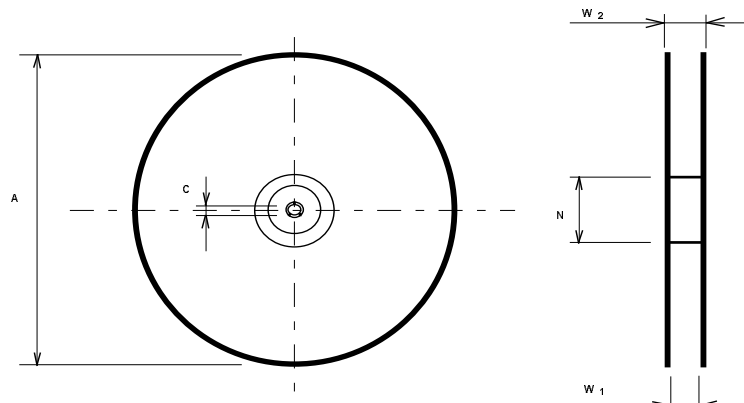
max. pieces of filters per reel:	2000
reel of empty components at start:	min 300 mm
reel of empty components at start including leader:	min 500 mm
trailer	min 300 mm

**Tape (all dimensions in mm)**

W	: 32 ± 0,3
Po	: 4 ± 0,1
Do	: 1,5 + 0,5
E	: 1,75 ± 0,1
So	: 28,4 ± 0,1
P2	: 2 ± 0,1
P1	: 12 ± 0,1
D1 (min)	: 1,5
Ao	: 7,1 ± 0,1
Bo	: 19,6 ± 0,1
Ko	: 2,0 ± 0,1
t	: 0,35 ± 0,05
Ct	: 25,5 ± 0,1

**Reel (all dimensions in mm):**

A	: 330
W1	: 32,4 +2
W2 (max)	: 38,4
N (min)	: 100
C	: 13 + 0,5/-0,2



The minimum bending radius is 45 mm. The mounting surface of the filters faces the bottom side of the embossed carrier tape. The marking of the filters is able to read if the view is directed on the upper side of the carrier tape in the above shown direction.

**VI TELEFILTER**

Potsdamer Straße 18

D 14 513 TELTOW / Germany

Tel: (+49) 3328 4784-0 / Fax: (+49) 3328 4784-30

E-Mail: [tft@telefilter.com](mailto:tft@telefilter.com)

VI TELEFILTER reserves the right to make changes to the product(s) and/or information contained herein without notice. No liability is assumed as a result of their use or application. No rights under any patent accompany the sale of any such product(s) or information.

**Air reflow temperature conditions**

1st and 2nd air reflow profile

<b>Name:</b>	pre-heating periods	main-heating periods	peak temperature
<b>Temperature:</b>	150 °C - 170 °C	over 200 °C	255 °C ± 5 °C
<b>Time:</b>	60 sec. - 90 sec.	20 sec. - 25 sec.	

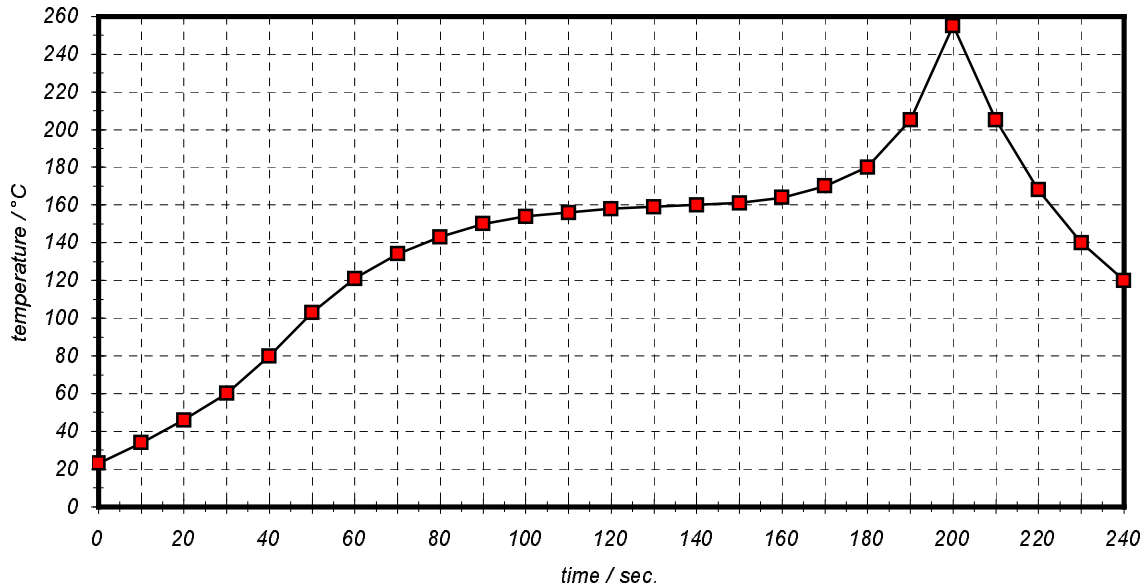
**Air reflow profile**

Table for temperature vs. time during the air reflow process

Tolerance of temperatures: ± 5 °C

time / sec.	temperature / °C	time / sec.	temperature / °C
0	23	140	160
10	34	150	161
20	46	160	164
30	60	170	170
40	80	180	180
50	103	190	205
60	121	195	230
70	134	200	255
80	143	205	230
90	150	210	205
100	154	215	180
110	156	220	165
120	158	230	140
130	159	240	120

**VI TELEFILTER**

Potsdamer Straße 18

D 14 513 TELTOW / Germany

Tel: (+49) 3328 4784-0 / Fax: (+49) 3328 4784-30

E-Mail: [tft@telefilter.com](mailto:tft@telefilter.com)

VI TELEFILTER reserves the right to make changes to the product(s) and/or information contained herein without notice. No liability is assumed as a result of their use or application. No rights under any patent accompany the sale of any such product(s) or information.

**VI TELEFILTER****Filter Specification****TFS 174****5/5****History**

<b>Version</b>	<b>Reason of Changes</b>	<b>Name</b>	<b>Date</b>
1.0	- generate specification according to customer requirements	Pfeiffer	25.06.2001
1.1	- corrections in passband and attenuation according to customer spec - tape and reel corrected - correct package drawing	Herrler	26.07.2001
1.2	- typical values and terminating impedance added	Pfeiffer	11.12.2002

---

**VI TELEFILTER**  
**Potsdamer Straße 18**  
**D 14 513 TELTOW / Germany**  
**Tel: (+49) 3328 4784-0 / Fax: (+49) 3328 4784-30**  
**E-Mail: [tft@telefilter.com](mailto:tft@telefilter.com)**

---

VI TELEFILTER reserves the right to make changes to the product(s) and/or information contained herein without notice. No liability is assumed as a result of their use or application. No rights under any patent accompany the sale of any such product(s) or information.