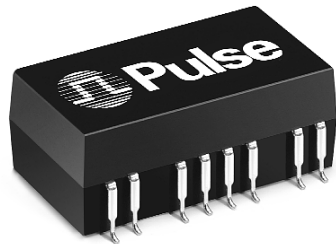


# ISDN S-INTERFACE TRANSFORMERS

## Surface Mount, Dual, 3KVrms



- Meets the pulse waveform template of CCITT I.430, using recommended transformer and chip pair
- Transfer-molded (IC grade) package
- 5mA  $\Delta I_{DC}$  — suitable for Terminal, PBX and NT applications

### Electrical Specifications @ 25°C — Operating Temperature 0°C to 70°C

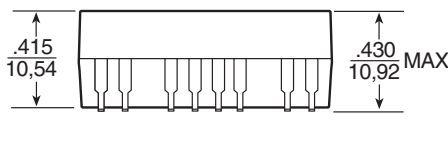
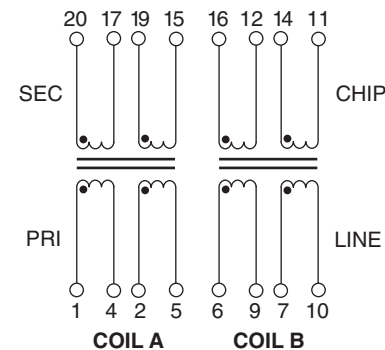
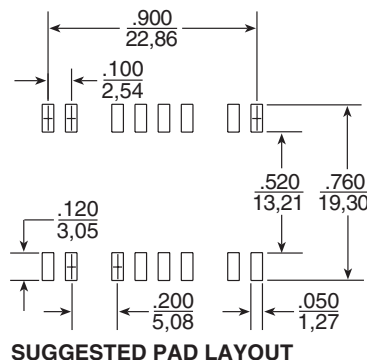
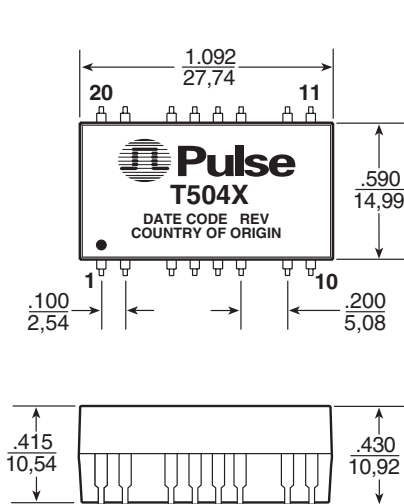
| Part Number | Ratio Pri:Sec<br>Coil A & B<br>( $\pm 2\%$ ) | OCL Pri<br>(mH MIN) | Ll. Sec<br>( $\mu$ H MAX) | Cw/w<br>(pF MAX) | CD Pri<br>Coil A & B<br>(pF MAX) | DCR Pri<br>( $\Omega$ MAX) | DCR Sec<br>( $\Omega$ MAX) | $\Delta I_{DC}$<br>(mA MAX) | Hipot<br>(Pri:Sec)<br>(Vrms MIN) |
|-------------|--|---------------------|---------------------------|------------------|----------------------------------|----------------------------|----------------------------|-----------------------------|----------------------------------|
| T5042       | 1:2  | 22                  | 30                        | 120              | 100                              | 3.0                        | 5.0                        | 5                           | 3000                             |
| T5043       | 1:2.5  | 22                  | 30                        | 120              | 100                              | 3.0                        | 7.0                        | 5                           | 3000                             |

Note: Optional Tape & Reel packaging can be ordered by adding a "T" suffix to the part number (ex: T5042T).

### Mechanical

### Schematic

#### MAT



Weight . . . . . 8.5 grams  
 Tape & Reel . . . . . 200/reel  
 Tube . . . . . 15/tube

Dimensions:  $\frac{\text{Inches}}{\text{mm}}$   
 Unless otherwise specified, all tolerances are  $\pm \frac{.010}{0,25}$

### For More Information:

#### Pulse Worldwide Headquarters

12220 World Trade Drive  
 San Diego, CA 92128  
 U.S.A.  
[www.pulseeng.com](http://www.pulseeng.com)  
 TEL: 858 674 8100  
 FAX: 858 674 8262

#### Pulse Northern Europe

3 Huxley Road  
 Surrey Research Park  
 Guildford, Surrey GU2 5RE  
 United Kingdom  
 TEL: 44 1483 401700  
 FAX: 44 1483 401701

#### Pulse Southern Europe

Zone Industrielle  
 F-39270  
 Orgelet  
 France  
 TEL: 33 3 84 35 04 04  
 FAX: 33 3 84 25 46 41

#### Pulse China Headquarters

No. 1  
 Industrial District  
 Changan, Dongguan  
 China  
 TEL: 86 769 5538070  
 FAX: 86 769 5538870

#### Pulse North China

Room 1002  
 No. 819  
 Nanjing West Rd  
 Shanghai  
 China  
 TEL: 86 21 32181071  
 FAX: 86 21 32181396

#### Pulse South Asia

150 Kampong Ampat  
 #07-01/02  
 KA Centre  
 Singapore 368324  
 TEL: 65 6287 8998  
 FAX: 65 6280 0080

#### Pulse North Asia

3F-4, No. 81, Sec. 1  
 Hsin Tai Wu Road  
 Hsi-Chih  
 Taipei Hsien  
 Taiwan  
 TEL: 886 2 26980228  
 FAX: 886 2 26980948

Performance warranty of products offered on this data sheet is limited to the parameters specified. Data is subject to change without notice. Other brand and product names mentioned herein may be trademarks or registered trademarks of their respective owners.

© Copyright, 2006. Pulse Engineering, Inc. All rights reserved.

[www.pulseeng.com](http://www.pulseeng.com)

T638.A (1/06)