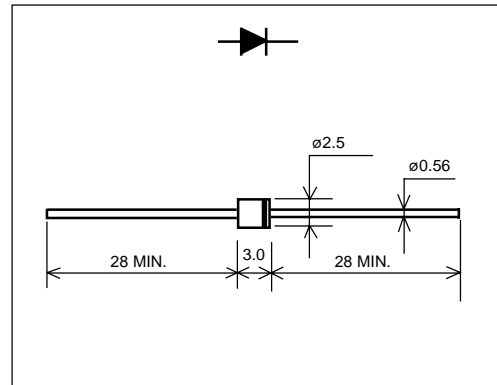


# ERA38 (0.5A)

( 400 to 600V / 0.5A )

## FAST RECOVERY DIODE

### ■ Outline drawings, mm



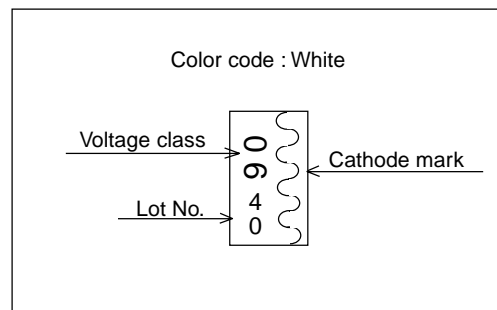
### ■ Features

- Super high speed switching
- Ultra small package  
Possible for 5mm pitch automatic insertion
- Low  $V_F$  in turn on
- High reliability

### ■ Applications

- High speed switching

### ■ Marking



### ■ Maximum ratings and characteristics

- Absolute maximum ratings

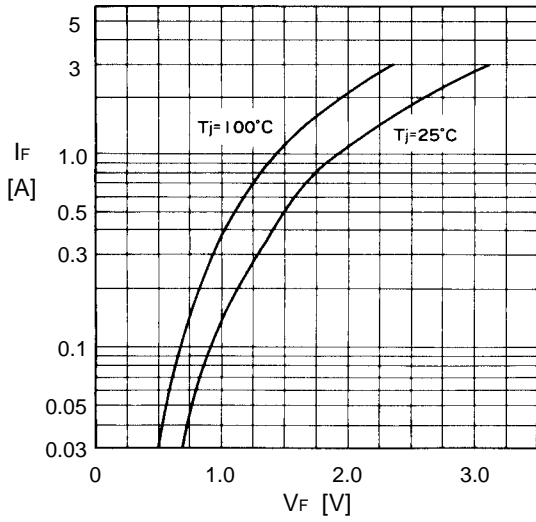
Item	Symbol	Conditions	Rating			Unit
			-04	-05	-06	
Repetitive peak reverse voltage	$V_{RRM}$		400	500	600	V
Non-repetitive peak reverse voltage	$V_{RSM}$		400	500	600	V
Average forward current	$I_{F(AV)}$	Resistive load ( $T_a = 25^\circ\text{C}$ )	0.5			A
Surge current	$I_{FSM}$	Sine wave 10ms	10			A
Operating junction temperature	$T_j$		-40 to +150			$^\circ\text{C}$
Storage temperature	$T_{stg}$		-40 to +150			$^\circ\text{C}$

- Electrical characteristics ( $T_a = 25^\circ\text{C}$  Unless otherwise specified)

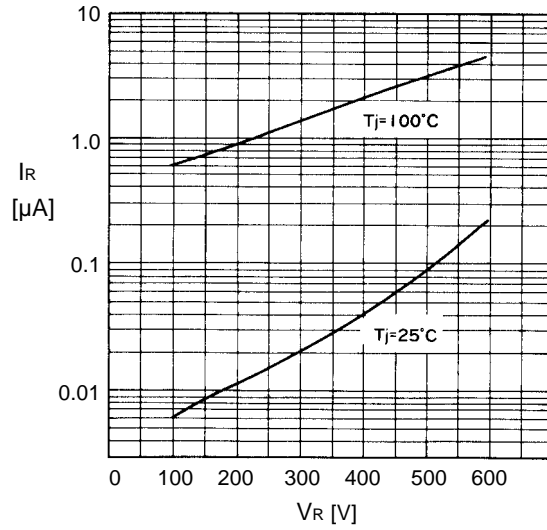
Item	Symbol	Conditions	Max.	Unit
Forward voltage drop	$V_{FM}$	$I_{FM} = 0.5\text{A}$	2.5	V
Reverse current	$I_{RRM}$	$V_R = V_{RRM}$	50	$\mu\text{A}$
Reverse recovery time	$t_{rr}$	$I_F = 0.1\text{A}, I_R = 0.2\text{A}$	50	ns

■ Characteristics

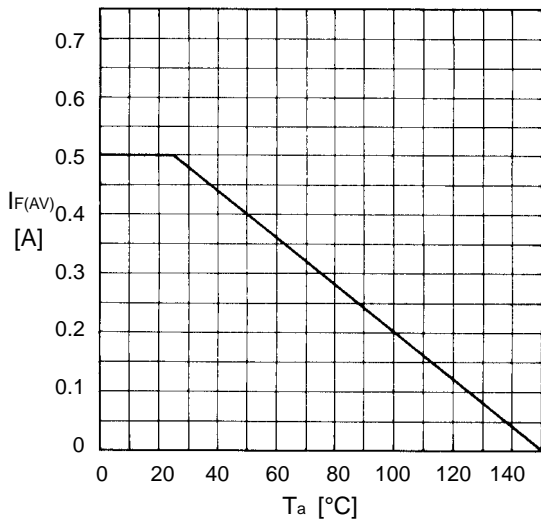
Forward characteristics



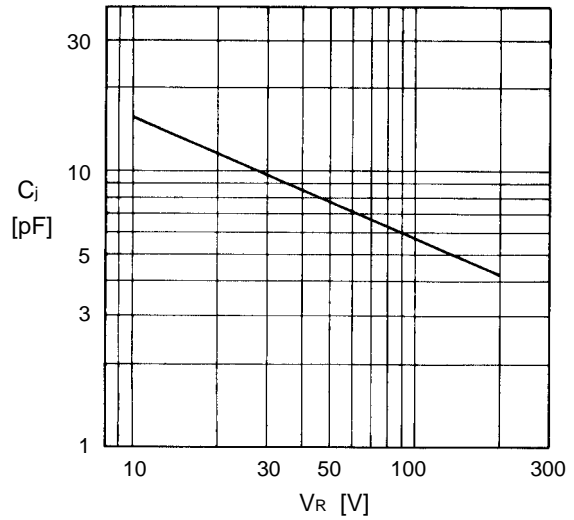
Reverse characteristics



Current derating ( $I_{F(AV)}-T_a$ )



Junction capacitance characteristics



Surge capability

