

CH Series Modular Fuse Holders

Class J – 600 Volt 1-60A

Class J



Catalog Symbol: CH30J_(I) CH60J_(I)
 Ampere Rating: 1 to 60A
 Voltage Rating: 600Vac (or less)
 Interrupting Rating: 200,000A RMS Sym.
 Agency Approvals:
 Listed UL 512, Guide IZLT, File E14853
 CSA Certified per C22.2 Nos. 39 Class 6225-01,
 File LR47235

Other Electrical Certifications:
 CE compliance for the European Union Low Voltage Directive
 Recommended Cooper Bussmann Fuses:
 Class J Time Delay LPJ (Data Sheet 1006)
 Class J Fast Acting JKS (Data Sheet 1026)

Features:

- Choice of Indication:
 - Easy ID window to view indicator on Cooper Bussmann LPJ-(amp)SPI fuses for permanent fuse indication, even when power is disconnected.
 - Neon indicator is field installable or can be purchased installed from the factory.
- Comes in standard 1, 2 & 3 Pole ganged assemblies where all fuses are extracted simultaneously.
- Kits are available for ganging units in the field.
- Meets requirements of IEC 60529 for IP-20 finger safe rating.
- 35mm DIN rail and chassis (6-32 UNC Pan Head Recommended) mounting features.
- Fuseholder wire ports dual wire rated from 18 to 3AWG.

Specifications:

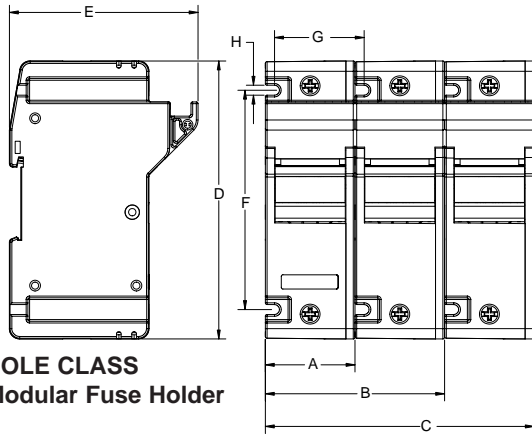
| Fuse Sizes | 0 to 30A Class J | 35 to 60A Class J |
|--|--|--|
| Voltage Rating | 600V | 600V |
| Amperage Rating | 30A | 60A |
| Wire Range | 18-1AWG Single 18-3AWG Dual 75°C | 18-1AWG Single 18-3AWG Dual 75°C |
| Torque | 35in-lbs | 35in-lbs |
| IP Rating | IP-20 (Finger Safe) | IP-20 (Finger Safe) |
| Clip Material | Tin Plated Copper | Tin Plated Copper |
| Housing Material | UL 94 VO Thermoplastic | UL 94 VO Thermoplastic |
| Minimum Indicating Voltage (Neon Lamp) | 90V | 90V |
| Nominal Operating Current (Neon Lamp) | 34mA (460Vac) | 34mA (460Vac) |
| Max Operating Temperature | 85°C | 85°C |
| Storage Temperature | -20°C to +65°C | -20°C to +65°C |

CE CE logo denotes compliance with European Union Low Voltage Directive (50-1000Vac, 75-1500Vdc). Refer to Data Sheet: 8002 or contact Cooper Bussmann Application Engineering at 314-527-1270 for more information.

CH Series Modular Fuse Holders

Class J – 600 Volt 1-60A

Class J

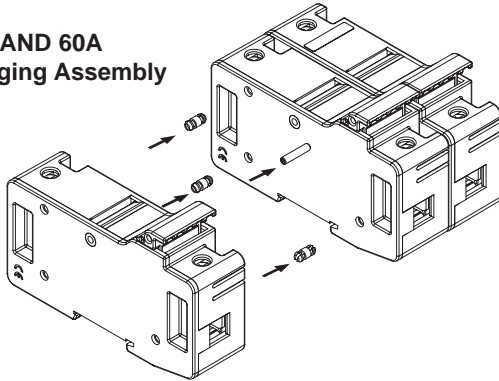


3 POLE CLASS J Modular Fuse Holder

Dimensional Data

| Dimension | CH30J in [mm] | CH60J in [mm] |
|-----------|---------------|---------------|
| A | 1.28 [32.5] | 1.58 [40.0] |
| B | 2.56 [65.0] | 3.16 [80.0] |
| C | 3.84 [97.5] | 4.72 [120.0] |
| D | 4.59 [116.6] | 4.88 [124.0] |
| E | 2.83 [71.8] | 3.31 [84.1] |
| F | 3.56 [90.4] | 3.85 [97.9] |
| G | 1.28 [32.5] | 1.58 [40.0] |
| H | 0.18 [4.44] | 0.18 [4.44] |

30A AND 60A Ganging Assembly

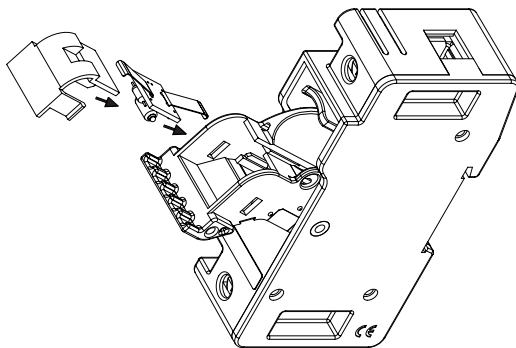


Catalog Numbers

| | | Easy ID Window | Neon Indicating |
|-------------|-------|----------------|-----------------|
| 30A Class J | 1Pole | CH30J1 | CH30J1I |
| | 2Pole | CH30J2 | CH30J2I |
| | 3Pole | CH30J3 | CH30J3I |
| 60A Class J | 1Pole | CH60J1 | CH60J1I |
| | 2Pole | CH60J2 | CH60J2I |
| | 3Pole | CH60J3 | CH60J3I |

Accessories

| Part Number | Description | Carton Qty. |
|---------------|----------------------|---------------------------------------|
| 2A1073 | Ganging Kit (3 Pole) | 2 Spring Pins 6 Plastic Connectors |
| 2A1164 | Neon Indication | 3 |
| 2A1777 | Circuit Markers | 100 |



INDICATOR ASSEMBLING

The only controlled copy of this Data Sheet is the electronic read-only version located on the Cooper Bussmann Network Drive. All other copies of this document are by definition uncontrolled. This bulletin is intended to clearly present comprehensive product data and provide technical information that will help the end user with design applications. Cooper Bussmann reserves the right, without notice, to change design or construction of any products and to discontinue or limit distribution of any products. Cooper Bussmann also reserves the right to change or update, without notice, any technical information contained in this bulletin. Once a product has been selected, it should be tested by the user in all possible applications.