

**PLEASE CHECK WWW.MOLEX.COM FOR LATEST PART INFORMATION**

**Part Number:** [0879143816](#)  
**Status:** **Active**  
**Overview:** [cgrid\\_sl\\_products](#)  
**Description:** 2.54mm (.100") Pitch C-Grid® Header, Through Hole, Dual Row, Vertical, 38 Circuits, 2.50µm (98.4µ") Tin (Sn) Overall Plating, Tray Packaging, Lead-free

**Documents:**

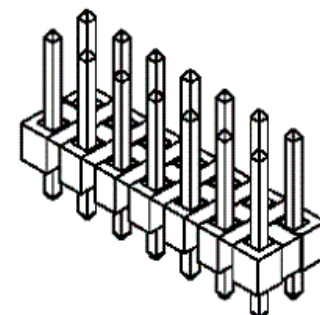
[3D Model](#) [Product Specification PS-87920-019 \(PDF\)](#)  
[Drawing \(PDF\)](#) [RoHS Certificate of Compliance \(PDF\)](#)

**General**

Product Family	PCB Headers
Series	87914
Application	Board-to-Board, Wire-to-Board
Overview	<a href="#">cgrid_sl_products</a>
Product Name	C-Grid®

**Physical**

Breakaway	Yes
Circuits (Loaded)	38
Circuits (maximum)	38
Color - Resin	Black
First Mate / Last Break	No
Glow-Wire Compliant	No
Guide to Mating Part	No
Keying to Mating Part	None
Lock to Mating Part	None
Mated Height (in)	0.230 In
Mated Height (mm)	5.84 mm
Material - Metal	Copper Alloy
Material - Plating Mating	Tin
Material - Plating Termination	Nickel
Material - Resin	High Temperature Thermoplastic
Number of Rows	2
Orientation	Vertical
PC Tail Length (in)	0.110 In
PC Tail Length (mm)	2.79 mm
PCB Locator	No
PCB Retention	None
PCB Thickness Recommended (in)	0.062 In
PCB Thickness Recommended (mm)	1.60 mm
Packaging Type	Tray
Pitch - Mating Interface (in)	0.100 In
Pitch - Mating Interface (mm)	2.54 mm
Pitch - Term. Interface (in)	0.100 In
Pitch - Term. Interface (mm)	2.54 mm
Plating min: Mating (µin)	98
Plating min: Mating (µm)	2.50
Plating min: Termination (µin)	49
Plating min: Termination (µm)	1.25
Polarized to Mating Part	No
Polarized to PCB	No
Shrouded	No
Stackable	No
Surface Mount Compatible (SMC)	Yes
Temperature Range - Operating	-55°C to +105°C



Series

image - Reference only

**EU RoHS**

**ELV and RoHS Compliant**  
**REACH SVHC**  
 Not Reviewed  
**Halogen-Free Status**  
 Not Reviewed

**China RoHS**



**Need more information on product environmental compliance?**

Email [productcompliance@molex.com](mailto:productcompliance@molex.com)  
 For a multiple part number RoHS Certificate of Compliance, [click here](#)

Please visit the [Contact Us](#) section for any non-product compliance questions.

**Search Parts in this Series**

87914Series

**Mates With**

7859 Shunts. C-Grid® PCB Receptacles like 71850. SL™ IDT Housing like 70450

Termination Interface: Style Through Hole

### **Electrical**

Current - Maximum per Contact 3A  
Voltage - Maximum 250V

### **Solder Process Data**

Duration at Max. Process Temperature (seconds) 12  
Lead-free Process Capability Wave Capable (TH only)  
Max. Cycles at Max. Process Temperature 1  
Process Temperature max. C 260

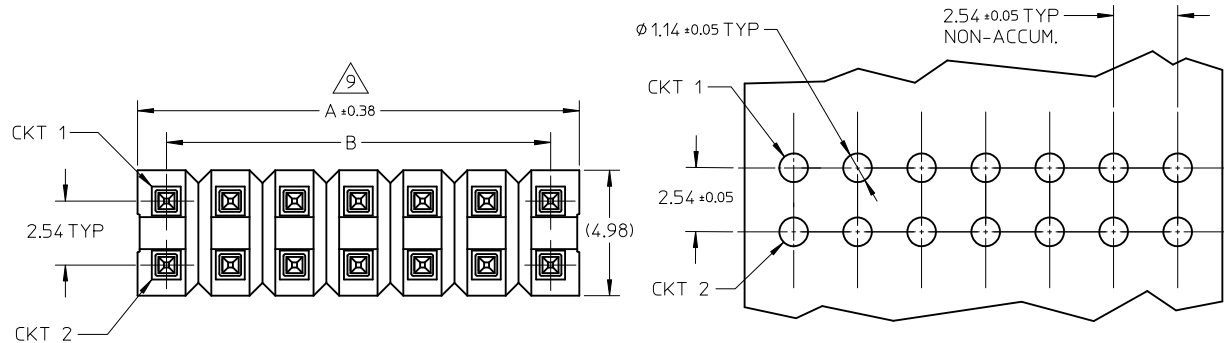
### **Material Info**

#### **Reference - Drawing Numbers**

Packaging Specification PK-89990-489  
Product Specification PS-87920-019  
Sales Drawing SD-87914-013

This document was generated on 05/26/2010

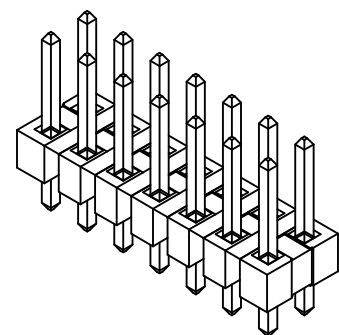
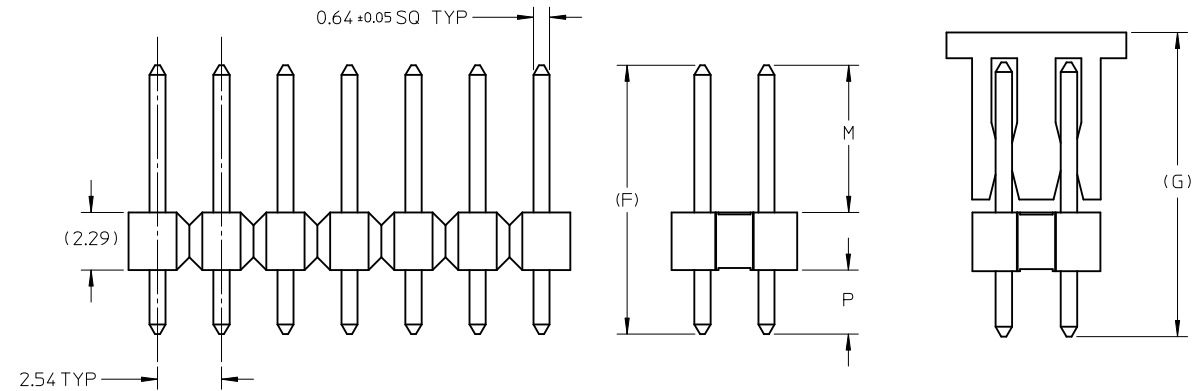
**PLEASE CHECK [WWW.MOLEX.COM](http://WWW.MOLEX.COM) FOR LATEST PART INFORMATION**



RECOMMENDED P.C.B HOLE LAYOUT

NOTES:

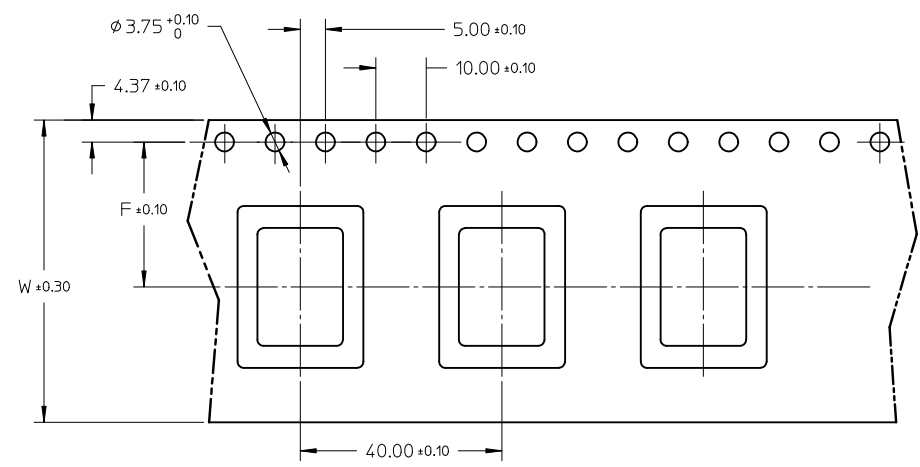
1. MATERIAL:
  - HSG: LCP, GLASS-FILLED, UL94V-0, COLOR: BLACK
  - PIN: 0.64MM SQ PIN, COPPER ALLOY
2. PLATING TYPE:
  - (1) : GOLD FLASH OVER  
1.25 MICRO METER MIN. NICKEL OVERALL.
  - (2) : 0.025 μm MIN. GOLD PLATE ON CONTACT AND 1.88 μm MIN. TIN ON SOLDERTAIL OVER 1.25 μm MIN. NICKEL OVERALL.
  - (3) : 0.25 μm MIN. GOLD PLATE ON CONTACT AND 1.88 μm MIN. TIN ON SOLDERTAIL OVER 1.25 μm MIN. NICKEL OVERALL.
  - (4) : 0.38 μm MIN. GOLD PLATE ON CONTACT AND 1.88 μm MIN. TIN ON SOLDERTAIL OVER 1.25 μm MIN. NICKEL OVERALL.
  - (5) : 0.75 μm MIN. GOLD PLATE ON CONTACT AND 1.88 μm MIN. TIN ON SOLDERTAIL OVER 1.25 μm MIN. NICKEL OVERALL
  - (6) : 2.50 μm MIN. TIN IN SELECTED AREA OVER 1.25 μm MIN. NICKEL OVERALL.
  - (7) : 0.38 μm MIN. GOLD PLATE ON CONTACT AND 2.50 μm MIN. TIN ON SOLDERTAIL OVER 1.25 μm MIN. NICKEL OVERALL.
  - (8) : 0.38 μm MIN. GOLD PLATE ON CONTACT AND 0.05 μm MIN. GOLD FLASH ON SOLDERTAIL OVER 1.25 μm MIN. NICKEL OVERALL.
3. PIN PUSHOUT FORCE: 1KG MIN IN EITHER DIRECTION
4. THE ABOVE 14 CKT IS FOR ILLUSTRATION PURPOSE ONLY.
5. FOR PACKAGING OPTION PLEASE REFER TO THE TABLE.
6. RECOMMENDED PCB THICKNESS 1.60MM.
7. PRODUCT SPECIFICATION: PS-87920-019
8. WAFER TO BE FLAT WITHIN 0.003mm/mm
9. IRREGULAR CIRCUIT CUTOFF WITHIN BREAKAWAY SECTION IS PERMISSIBLE. CUTTING OR CHIPPING OF THE MAIN BODY IS NOT ACCEPTABLE.
10. PARTS ARE NOT STACKABLE ON 2.54 CENTER
11. CAP TO BE PLACED AS CENTRAL OF PART AS POSSIBLE WITH THE TOP SURFACE FLAT FOR PICK AND PLACE.
12. PACKAGING SPECIFICATION:
  - TRAY: PK-89990-489
  - BULK: PK-89990-491



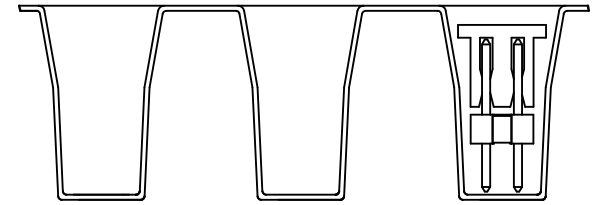
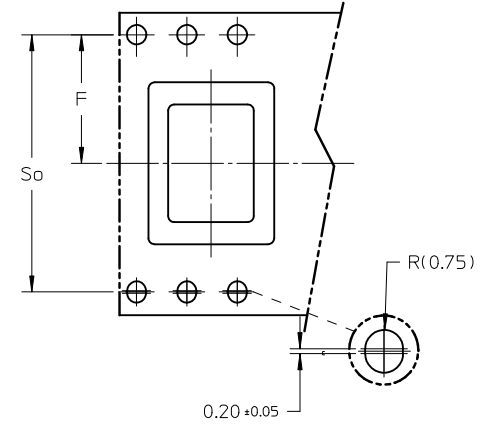
PG8. +879140108 EC NO: S2010-0695 DRW:ATSEE 2010/02/11 CHKD:PTLIM 2004/12/08 APPR:MLONG 2010/06/05 REV D7	QUALITY SYMBOLS $\nabla_A = 0$ $\nabla_C = 0$ $\nabla_P = 0$	GENERAL TOLERANCES (UNLESS SPECIFIED)		DIMENSION STYLE MM ONLY		SCALE NTS	DESIGN UNITS METRIC	THIRD ANGLE PROJECTION		
		4 PLACES ± --- ± ---	mm INCH	DRAWN BY KCHO	DATE 2004/11/05	TITLE 2.54MM PITCH DUAL ROW HEADER SINGLE WAFER, T/H				
		3 PLACES ± --- ± ---	± 0.20 ± ---	CHECKED BY PTLIM	DATE 2004/12/08	MOLEX INCORPORATED				
		2 PLACES ± --- ± ---	± --- ± ---	APPROVED BY SCLOW	DATE 2004/12/10	MATERIAL NO. SEE TABLE	DOCUMENT NO. SD-87914-013	SHEET NO. 1 OF 46	THIS DRAWING CONTAINS INFORMATION THAT IS PROPRIETARY TO MOLEX INCORPORATED AND SHOULD NOT BE USED WITHOUT WRITTEN PERMISSION	

P/N	CKT SIZE	F	So	W	QTY/ REEL
87914-0627	06	11.50	-	24.00	250
87914-0827	08	11.50	-	24.00	250

FOR TAPE WIDTH WITH SINGLE ROW SPROCKET HOLES.

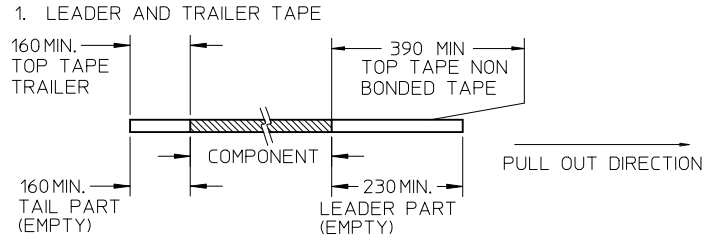


FOR TAPE WIDTH WITH 2 ROWS OF SPROCKET HOLES.

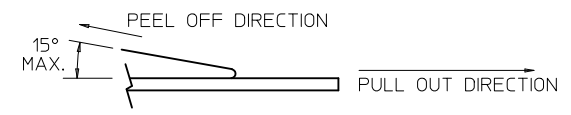


VIEW OF PART ORIENTATION IN TAPE & REEL

NOTES:



2. PEELING OFF FORCE OF THE TOP TAPE: 20 - 80gf. (PEELING DIRECTION AS SHOWN IN FOLLOWING FIGURE)



3. TAPE AND REEL SPECIFICATION IS AS PER EIA-481.  
4. THE TAPE IS TREATED FOR ANTI-STATIC.

REV	DESCRIPTION	QUALITY SYMBOLS	GENERAL TOLERANCES (UNLESS SPECIFIED)		DIMENSION STYLE		SCALE	DESIGN UNITS	THIRD ANGLE PROJECTION		
			mm	INCH	MM ONLY	NTS	METRIC	⊙	∠		
D7	PG8. +879140108 EC NO: S2010-0695 DRWN:ATSEE 2010/02/11 CHKD:PTLIM 2004/12/08 APPR:MLONG 2010/06/05	$F_A=0$ $F_C=0$ $F_P=0$	4 PLACES ± --- ± ---	3 PLACES ± --- ± ---	2 PLACES ± 0.20 ± ---	1 PLACE ± --- ± ---	ANGULAR ± 3 °	DRAWN BY: KCHO CHECKED BY: PTLIM APPROVED BY: SCLOW	DATE: 2004/11/05 DATE: 2004/12/08 DATE: 2004/12/10	TITLE: 2.54MM PITCH DUAL ROW HEADER SINGLE WAFER, T/H	
DRAFT WHERE APPLICABLE MUST REMAIN WITHIN DIMENSIONS			SEE TABLE		MATERIAL NO. SD-87914-013		DOCUMENT NO. MOLEX INCORPORATED		SHEET NO. 2 OF 46		
			SIZE A3		THIS DRAWING CONTAINS INFORMATION THAT IS PROPRIETARY TO MOLEX INCORPORATED AND SHOULD NOT BE USED WITHOUT WRITTEN PERMISSION						

PART NO FOR TRAY PACKAGING	PART NO. FOR TUBE WITHOUT CAP PACKAGING	PART NO. FOR TUBE WITH CAP PACKAGING	PART NO. FOR TAPE & REEL WITHOUT CAP PACKAGING	PART NO. FOR TAPE & REEL WITH CAP PACKAGING	CKT SIZE	VOID POSITION	PLATING TYPE	DIMENSION				
								A	B	F	M	P
								F	87914-0211	-----	-----	-----
	87914-0221	-----	-----	-----	2	----	1	2.54	----	12.25	7.00	2.96
	87914-0231	-----	-----	-----	2	----	1	2.54	----	13.38	6.09	5.00
	87914-0212	-----	-----	-----	2	----	2	2.54	----	10.92	5.84	2.79
	87914-0222	-----	-----	-----	2	----	2	2.54	----	12.25	7.00	2.96
	87914-0232	-----	-----	-----	2	----	2	2.54	----	13.38	6.09	5.00
E	87914-0213	-----	-----	-----	2	----	3	2.54	----	10.92	5.84	2.79
	87914-0223	-----	-----	-----	2	----	3	2.54	----	12.25	7.00	2.96
	87914-0233	-----	-----	-----	2	----	3	2.54	----	13.38	6.09	5.00
	87914-0214	-----	-----	-----	2	----	4	2.54	----	10.92	5.84	2.79
	87914-0224	-----	-----	-----	2	----	4	2.54	----	12.25	7.00	2.96
	87914-0234	-----	-----	-----	2	----	4	2.54	----	13.38	6.09	5.00
D	87914-0215	-----	-----	-----	2	----	5	2.54	----	10.92	5.84	2.79
	87914-0225	-----	-----	-----	2	----	5	2.54	----	12.25	7.00	2.96
	87914-0235	-----	-----	-----	2	----	5	2.54	----	13.38	6.09	5.00
	87914-0216	-----	-----	-----	2	----	6	2.54	----	10.92	5.84	2.79
	87914-0226	-----	-----	-----	2	----	6	2.54	----	12.25	7.00	2.96
	87914-0236	-----	-----	-----	2	----	6	2.54	----	13.38	6.09	5.00
C												
B												

<b>PG8. +879140108</b> EC NO: S2010-0695 DRWN:ATSEE 2010/02/11 CHKD:PTLIM 2004/12/08 APPR:MLONG 2010/06/05 <b>D7</b>	<b>QUALITY SYMBOLS</b> $F_A=0$ $F_G=0$ $F_P=0$	<b>GENERAL TOLERANCES (UNLESS SPECIFIED)</b> <table border="1"> <tr> <th></th> <th>mm</th> <th>INCH</th> </tr> <tr> <td>4 PLACES</td> <td>± ---</td> <td>± ---</td> </tr> <tr> <td>3 PLACES</td> <td>± ---</td> <td>± ---</td> </tr> <tr> <td>2 PLACES</td> <td>± 0.20</td> <td>± ---</td> </tr> <tr> <td>1 PLACE</td> <td>± ---</td> <td>± ---</td> </tr> </table>		mm	INCH	4 PLACES	± ---	± ---	3 PLACES	± ---	± ---	2 PLACES	± 0.20	± ---	1 PLACE	± ---	± ---	<b>DIMENSION STYLE</b> <b>MM ONLY</b> DRAWN BY: KCHO DATE: 2004/11/05 CHECKED BY: PTLIM DATE: 2004/12/08 APPROVED BY: SCLOW DATE: 2004/12/10	<b>SCALE</b> NTS <b>DESIGN UNITS</b> METRIC <b>THIRD ANGLE PROJECTION</b>	<b>TITLE</b> 2.54MM PITCH DUAL ROW HEADER SINGLE WAFER, T/H <b>MOLEX INCORPORATED</b> MATERIAL NO. SEE TABLE DOCUMENT NO. SD-87914-013
		mm	INCH																	
	4 PLACES	± ---	± ---																	
	3 PLACES	± ---	± ---																	
2 PLACES	± 0.20	± ---																		
1 PLACE	± ---	± ---																		
<b>DRAFT WHERE APPLICABLE MUST REMAIN WITHIN DIMENSIONS</b>		<b>SIZE</b> A3 THIS DRAWING CONTAINS INFORMATION THAT IS PROPRIETARY TO MOLEX INCORPORATED AND SHOULD NOT BE USED WITHOUT WRITTEN PERMISSION	<b>SHEET NO.</b> 3 OF 46																	

	10	9	8	7	6	5	4	3	2	1			
	PART NO. FOR TRAY PACKAGING	PART NO. FOR TUBE WITHOUT CAP PACKAGING	PART NO. FOR TUBE WITH CAP PACKAGING	PART NO. FOR TAPE & REEL WITHOUT CAP PACKAGING	PART NO. FOR TAPE & REEL WITH CAP PACKAGING	CKT SIZE	VOID POSITION	PLATING TYPE	DIMENSION				
								A	B	F	M	P	
F	87914-0411	-----	-----	-----	-----	4	----	1	5.08	2.54	10.92	5.84	2.79
	87914-0421	-----	-----	-----	-----	4	----	1	5.08	2.54	12.25	7.00	2.96
	87914-0431	-----	-----	-----	-----	4	----	1	5.08	2.54	13.38	6.09	5.00
	87914-0412	-----	-----	-----	-----	4	----	2	5.08	2.54	10.92	5.84	2.79
	87914-0422	-----	-----	-----	-----	4	----	2	5.08	2.54	12.25	7.00	2.96
	87914-0432	-----	-----	-----	-----	4	----	2	5.08	2.54	13.38	6.09	5.00
E	87914-0413	-----	-----	-----	-----	4	----	3	5.08	2.54	10.92	5.84	2.79
	87914-0423	-----	-----	-----	-----	4	----	3	5.08	2.54	12.25	7.00	2.96
	87914-0433	-----	-----	-----	-----	4	----	3	5.08	2.54	13.38	6.09	5.00
	87914-0414	-----	-----	-----	-----	4	----	4	5.08	2.54	10.92	5.84	2.79
	87914-0424	-----	-----	-----	-----	4	----	4	5.08	2.54	12.25	7.00	2.96
	87914-0434	-----	-----	-----	-----	4	----	4	5.08	2.54	13.38	6.09	5.00
D	87914-0415	-----	-----	-----	-----	4	----	5	5.08	2.54	10.92	5.84	2.79
	87914-0425	-----	-----	-----	-----	4	----	5	5.08	2.54	12.25	7.00	2.96
	87914-0435	-----	-----	-----	-----	4	----	5	5.08	2.54	13.38	6.09	5.00
	87914-0416	-----	-----	-----	-----	4	----	6	5.08	2.54	10.92	5.84	2.79
	87914-0426	-----	-----	-----	-----	4	----	6	5.08	2.54	12.25	7.00	2.96
	87914-0436	-----	-----	-----	-----	4	----	6	5.08	2.54	13.38	6.09	5.00
C													
B													

<b>PG8. +879140108</b> EC NO: S2010-0695 DRWN:ATSEE 2010/02/11 CHKD:PTLIM 2004/12/08 APPR:MLONG 2010/06/05 <b>D7</b>	QUALITY SYMBOLS $\nabla_A=0$ $\nabla_C=0$ $\nabla_P=0$	GENERAL TOLERANCES (UNLESS SPECIFIED) <table border="1"> <tr><th colspan="2">mm</th><th>INCH</th></tr> <tr><td>4 PLACES</td><td><math>\pm</math> ---</td><td><math>\pm</math> ---</td></tr> <tr><td>3 PLACES</td><td><math>\pm</math> ---</td><td><math>\pm</math> ---</td></tr> <tr><td>2 PLACES</td><td><math>\pm</math> 0.20</td><td><math>\pm</math> ---</td></tr> <tr><td>1 PLACE</td><td><math>\pm</math> ---</td><td><math>\pm</math> ---</td></tr> </table>	mm		INCH	4 PLACES	$\pm$ ---	$\pm$ ---	3 PLACES	$\pm$ ---	$\pm$ ---	2 PLACES	$\pm$ 0.20	$\pm$ ---	1 PLACE	$\pm$ ---	$\pm$ ---	DIMENSION STYLE <b>MM ONLY</b> DRAWN BY: KCHO DATE: 2004/11/05 CHECKED BY: PTLIM DATE: 2004/12/08 APPROVED BY: SCLOW DATE: 2004/12/10	SCALE: NTS DESIGN UNITS: METRIC THIRD ANGLE PROJECTION	TITLE: <b>2.54MM PITCH          DUAL ROW HEADER          SINGLE WAFER, T/H</b>
	mm		INCH																	
	4 PLACES	$\pm$ ---	$\pm$ ---																	
	3 PLACES	$\pm$ ---	$\pm$ ---																	
2 PLACES	$\pm$ 0.20	$\pm$ ---																		
1 PLACE	$\pm$ ---	$\pm$ ---																		
		ANGULAR $\pm$ 3 °	MATERIAL NO.: SEE TABLE DOCUMENT NO.: SD-87914-013	<b>MOLEX INCORPORATED</b>	SHEET NO.: 4 OF 46															
		DRAFT WHERE APPLICABLE MUST REMAIN WITHIN DIMENSIONS	SIZE: <b>A3</b> THIS DRAWING CONTAINS INFORMATION THAT IS PROPRIETARY TO MOLEX INCORPORATED AND SHOULD NOT BE USED WITHOUT WRITTEN PERMISSION																	

PART NO FOR TRAY PACKAGING	PART NO. FOR TUBE WITHOUT CAP PACKAGING	PART NO. FOR TUBE WITH CAP PACKAGING	PART NO. FOR TAPE & REEL WITHOUT CAP PACKAGING	PART NO. FOR TAPE & REEL WITH CAP PACKAGING	CKT SIZE	VOID POSITION	PLATING TYPE	DIMENSION					
								A	B	F	M	P	G
87914-0611	-----	-----	-----	-----	6	----	1	7.62	5.08	10.92	5.84	2.79	----
87914-0621	-----	-----	-----	-----	6	----	1	7.62	5.08	12.25	7.00	2.96	----
87914-0631	-----	-----	-----	-----	6	----	1	7.62	5.08	13.38	6.09	5.00	----
87914-0612	-----	-----	-----	-----	6	----	2	7.62	5.08	10.92	5.84	2.79	----
87914-0622	-----	-----	-----	-----	6	----	2	7.62	5.08	12.25	7.00	2.96	----
87914-0632	-----	-----	-----	-----	6	----	2	7.62	5.08	13.38	6.09	5.00	----
87914-0613	-----	-----	-----	-----	6	----	3	7.62	5.08	10.92	5.84	2.79	----
87914-0623	-----	-----	-----	-----	6	----	3	7.62	5.08	12.25	7.00	2.96	----
87914-0633	-----	-----	-----	-----	6	----	3	7.62	5.08	13.38	6.09	5.00	----
87914-0614	-----	-----	-----	-----	6	----	4	7.62	5.08	10.92	5.84	2.79	----
87914-0624	-----	-----	-----	-----	6	----	4	7.62	5.08	12.25	7.00	2.96	----
87914-0634	-----	-----	-----	-----	6	----	4	7.62	5.08	13.38	6.09	5.00	----
87914-0615	-----	-----	-----	-----	6	----	5	7.62	5.08	10.92	5.84	2.79	----
87914-0625	-----	-----	-----	-----	6	----	5	7.62	5.08	12.25	7.00	2.96	----
87914-0635	-----	-----	-----	-----	6	----	5	7.62	5.08	13.38	6.09	5.00	----
87914-0616	-----	-----	-----	-----	6	----	6	7.62	5.08	10.92	5.84	2.79	----
87914-0626	-----	-----	-----	-----	6	----	6	7.62	5.08	12.25	7.00	2.96	----
87914-0636	-----	-----	-----	-----	6	----	6	7.62	5.08	13.38	6.09	5.00	----
-----	-----	-----	-----	87914-0627	6	----	6	7.62	5.08	13.55	8.08	3.18	14.70

<p>PG8. +879140108          EC NO: S2010-0695          DRWN:ATSEE 2010/02/11          CHKD:PTLIM 2004/12/08          APPR:MLONG 2010/06/05</p>										QUALITY SYMBOLS $F_A=0$ $F_G=0$ $F_P=0$	GENERAL TOLERANCES (UNLESS SPECIFIED) mm INCH 4 PLACES $\pm$ --- $\pm$ --- 3 PLACES $\pm$ --- $\pm$ --- 2 PLACES $\pm$ 0.20 $\pm$ --- 1 PLACE $\pm$ --- $\pm$ --- ANGULAR $\pm$ 3 °	DIMENSION STYLE <b>MM ONLY</b> DRAWN BY DATE KCHO 2004/11/05 CHECKED BY DATE PTLIM 2004/12/08 APPROVED BY DATE SCLOW 2004/12/10	SCALE NTS DESIGN UNITS METRIC THIRD ANGLE PROJECTION	TITLE <b>2.54MM PITCH          DUAL ROW HEADER          SINGLE WAFER, T/H</b>				MATERIAL NO. DOCUMENT NO. <b>SEE TABLE SD-87914-013</b>		SHEET NO. <b>5 OF 46</b>	
--	--	--	--	--	--	--	--	--	--	--	---	--	--	--	--	--	--	--	--	-----------------------------	--

DRAFT WHERE APPLICABLE MUST REMAIN WITHIN DIMENSIONS THIS DRAWING CONTAINS INFORMATION THAT IS PROPRIETARY TO MOLEX INCORPORATED AND SHOULD NOT BE USED WITHOUT WRITTEN PERMISSION									
---	--	--	--	--	--	--	--	--	--

	10	9	8	7	6	5	4	3	2	1			
	PART NO FOR TRAY PACKAGING	PART NO. FOR TUBE WITHOUT CAP PACKAGING	PART NO. FOR TUBE WITH CAP PACKAGING	PART NO. FOR TAPE & REEL WITHOUT CAP PACKAGING	PART NO. FOR TAPE & REEL WITH CAP PACKAGING	CKT SIZE	VOID POSITION	PLATING TYPE	DIMENSION				
								A	B	F	M	P	
F	87914-0009	-----	-----	-----	-----	6	-----	1	7.62	5.08	18.84	13.25	3.30
	87914-0642	-----	-----	-----	-----	6	-----	2	7.62	5.08	18.84	13.25	3.30
	87914-0643	-----	-----	-----	-----	6	-----	3	7.62	5.08	18.84	13.25	3.30
	87914-0644	-----	-----	-----	-----	6	-----	4	7.62	5.08	18.84	13.25	3.30
	87914-0645	-----	-----	-----	-----	6	-----	5	7.62	5.08	18.84	13.25	3.30
	87914-0646	-----	-----	-----	-----	6	-----	6	7.62	5.08	18.84	13.25	3.30
E													
D													
C													

<b>PG8. +879140108</b> EC NO: S2010-0695 DRWN:ATSEE 2010/02/11 CHKD:PTLIM 2004/12/08 APPR:MLONG 2010/06/05	QUALITY SYMBOLS	GENERAL TOLERANCES (UNLESS SPECIFIED)		DIMENSION STYLE		SCALE	DESIGN UNITS	THIRD ANGLE PROJECTION	
	$\nabla_A = 0$ $\nabla_C = 0$ $\nabla_P = 0$			MM ONLY		NTS	METRIC		
				DRAWN BY DATE		TITLE			
				KCHO 2004/11/05		2.54MM PITCH DUAL ROW HEADER SINGLE WAFER, T/H			
				CHECKED BY DATE		MOLEX INCORPORATED			
				PTLIM 2004/12/08		SD-87914-013			
				APPROVED BY DATE		SHEET NO.			
				SCLOW 2004/12/10		6 OF 46			
				MATERIAL NO.		SEE TABLE			
				ANGULAR $\pm 3^\circ$		THIS DRAWING CONTAINS INFORMATION THAT IS PROPRIETARY TO MOLEX INCORPORATED AND SHOULD NOT BE USED WITHOUT WRITTEN PERMISSION			
				DRAFT WHERE APPLICABLE MUST REMAIN WITHIN DIMENSIONS					
				SIZE					
				A3					



	10	9	8	7	6	5	4	3	2	1				
	PART NO. FOR TRAY PACKAGING	PART NO. FOR TUBE WITHOUT CAP PACKAGING	PART NO. FOR TUBE WITH CAP PACKAGING	PART NO. FOR TAPE & REEL WITHOUT CAP PACKAGING	PART NO. FOR TAPE & REEL WITH CAP PACKAGING	CKT SIZE	VOID POSITION	PLATING TYPE	DIMENSION					
									A	B	F	M	P	G
F	87914-0811	-----	-----	-----	-----	8	-----	1	10.16	7.62	10.92	5.84	2.79	----
	87914-0821	-----	-----	-----	-----	8	-----	1	10.16	7.62	12.25	7.00	2.96	----
	87914-0831	-----	-----	-----	-----	8	-----	1	10.16	7.62	13.38	6.09	5.00	----
	87914-0812	-----	-----	-----	-----	8	-----	2	10.16	7.62	10.92	5.84	2.79	----
	87914-0822	-----	-----	-----	-----	8	-----	2	10.16	7.62	12.25	7.00	2.96	----
	87914-0832	-----	-----	-----	-----	8	-----	2	10.16	7.62	13.38	6.09	5.00	----
E	87914-0813	-----	-----	-----	-----	8	-----	3	10.16	7.62	10.92	5.84	2.79	----
	87914-0823	-----	-----	-----	-----	8	-----	3	10.16	7.62	12.25	7.00	2.96	----
	87914-0833	-----	-----	-----	-----	8	-----	4	10.16	7.62	13.38	6.09	5.00	----
	87914-0814	-----	-----	-----	-----	8	-----	4	10.16	7.62	10.92	5.84	2.79	----
	87914-0824	-----	-----	-----	-----	8	-----	4	10.16	7.62	12.25	7.00	2.96	----
	87914-0834	-----	-----	-----	-----	8	-----	4	10.16	7.62	13.38	6.09	5.00	----
D	87914-0815	-----	-----	-----	-----	8	-----	5	10.16	7.62	10.92	5.84	2.79	----
	87914-0825	-----	-----	-----	-----	8	-----	5	10.16	7.62	12.25	7.00	2.96	----
	87914-0835	-----	-----	-----	-----	8	-----	5	10.16	7.62	13.38	6.09	5.00	----
	87914-0816	-----	-----	-----	-----	8	-----	6	10.16	7.62	10.92	5.84	2.79	----
	87914-0826	-----	-----	-----	-----	8	-----	6	10.16	7.62	12.25	7.00	2.96	----
	87914-0836	-----	-----	-----	-----	8	-----	6	10.16	7.62	13.38	6.09	5.00	----
C	87914-0807	-----	-----	-----	-----	8	2,3,4,5,6,8	6	10.16	7.62	21.75	16.51	2.95	----
	-----	-----	-----	-----	87914-0827	8	-----	6	10.16	7.62	13.55	8.08	3.18	14.70

<b>PG8. +879140108</b> EC NO: S2010-0695 DRW:ATSEE 2010/02/11 CHKD:PTLIM 2004/12/08 APPR:MLONG 2010/06/05	DESCRIPTION REV	QUALITY SYMBOLS	GENERAL TOLERANCES (UNLESS SPECIFIED)	DIMENSION STYLE	SCALE	DESIGN UNITS	THIRD ANGLE PROJECTION	
		$F_A=0$ $F_G=0$ $F_P=0$	mm      INCH 4 PLACES ± --- ± --- 3 PLACES ± --- ± --- 2 PLACES ± 0.20 ± --- 1 PLACE ± --- ± --- ANGULAR ± 3 °	MM ONLY	NTS	METRIC		
			DRAFT WHERE APPLICABLE MUST REMAIN WITHIN DIMENSIONS	DRAWN BY: KCHO      DATE: 2004/11/05 CHECKED BY: PTLIM      DATE: 2004/12/08 APPROVED BY: SCLOW      DATE: 2004/12/10	TITLE	2.54MM PITCH DUAL ROW HEADER SINGLE WAFER, T/H		
		D7		SEE TABLE	MOLEX INCORPORATED MATERIAL NO.      DOCUMENT NO.	SD-87914-013      SHEET NO. 7 OF 46		

PART NO FOR TRAY PACKAGING	PART NO. FOR TUBE WITHOUT CAP PACKAGING	PART NO. FOR TUBE WITH CAP PACKAGING	PART NO. FOR TAPE & REEL WITHOUT CAP PACKAGING	PART NO. FOR TAPE & REEL WITH CAP PACKAGING	CKT SIZE	VOID POSITION	PLATING TYPE	DIMENSION				
								A	B	F	M	P
87914-0841	-----	-----	-----	-----	8	----	1	10.16	7.62	13.51	8.75	2.47
87914-0842	-----	-----	-----	-----	8	----	2	10.16	7.62	13.51	8.75	2.47
87914-0843	-----	-----	-----	-----	8	----	3	10.16	7.62	13.51	8.75	2.47
87914-0844	-----	-----	-----	-----	8	----	4	10.16	7.62	13.51	8.75	2.47
87914-0845	-----	-----	-----	-----	8	----	5	10.16	7.62	13.51	8.75	2.47
87914-0005	-----	-----	-----	-----	8	----	6	10.16	7.62	13.51	8.75	2.47
87914-0108	-----	-----	-----	-----	8	----	6	10.16	7.62	16.50	11.11	3.10

B

A  
 PG8. +879140108  
 EC NO: S2010-0695  
 DRWNATSEE 2010/02/11  
 CHKD:PTLIM 2004/12/08  
 APPR:MLONG 2010/06/05

QUALITY SYMBOLS $\nabla_A = 0$ $\nabla_C = 0$ $\nabla_P = 0$	GENERAL TOLERANCES (UNLESS SPECIFIED)		DIMENSION STYLE MM ONLY		SCALE NTS	DESIGN UNITS METRIC	THIRD ANGLE PROJECTION	
		mm	INCH	DRAWN BY	DATE	TITLE		
	4 PLACES	$\pm$ ---	$\pm$ ---	KCHO	2004/11/05	2.54MM PITCH DUAL ROW HEADER SINGLE WAFER, T/H		
	3 PLACES	$\pm$ ---	$\pm$ ---	CHECKED BY	DATE			
2 PLACES	$\pm$ 0.20	$\pm$ ---	PTLIM	2004/12/08	MOLEX INCORPORATED			
1 PLACE	$\pm$ ---	$\pm$ ---	APPROVED BY	DATE				
	ANGULAR $\pm 3^\circ$		SLOW	2004/12/10	MATERIAL NO.	DOCUMENT NO.	SHEET NO.	
	DRAFT WHERE APPLICABLE MUST REMAIN WITHIN DIMENSIONS		SEE TABLE		SD-87914-013		8 OF 46	
	SIZE	THIS DRAWING CONTAINS INFORMATION THAT IS PROPRIETARY TO MOLEX INCORPORATED AND SHOULD NOT BE USED WITHOUT WRITTEN PERMISSION						

ib\_frame\_A3\_P\_AM\_T  
 Rev. F 2009/06/18

A

	10	9	8	7	6	5	4	3	2	1					
	PART NO. FOR TRAY PACKAGING	PART NO. FOR TUBE WITHOUT CAP PACKAGING	PART NO. FOR TUBE WITH CAP PACKAGING	PART NO. FOR TAPE & REEL WITHOUT CAP PACKAGING	PART NO. FOR TAPE & REEL WITH CAP PACKAGING	PART NO. FOR BULK PACKAGING	CKT SIZE	VOID POSITION	PLATING TYPE	DIMENSION					
										A	B	F	M	P	G
F	87914-1011	-----	-----	-----	-----	-----	10	----	1	12.70	10.16	10.92	5.84	2.79	----
	87914-1021	-----	-----	-----	-----	-----	10	----	1	12.70	10.16	12.25	7.00	2.96	----
	87914-1031	-----	-----	-----	-----	-----	10	----	1	12.70	10.16	13.38	6.09	5.00	----
	87914-1012	-----	-----	-----	-----	-----	10	----	2	12.70	10.16	10.92	5.84	2.79	----
	87914-1022	-----	-----	-----	-----	-----	10	----	2	12.70	10.16	12.25	7.00	2.96	----
	87914-1032	-----	-----	-----	-----	-----	10	----	2	12.70	10.16	13.38	6.09	5.00	----
E	87914-1013	-----	-----	-----	-----	-----	10	----	3	12.70	10.16	10.92	5.84	2.79	----
	87914-1023	-----	-----	-----	-----	-----	10	----	3	12.70	10.16	12.25	7.00	2.96	----
	87914-1033	-----	-----	-----	-----	-----	10	----	3	12.70	10.16	13.38	6.09	5.00	----
	87914-1014	-----	-----	-----	-----	-----	10	----	4	12.70	10.16	10.92	5.84	2.79	----
	87914-1024	-----	-----	-----	-----	-----	10	----	4	12.70	10.16	12.25	7.00	2.96	----
	87914-1034	-----	-----	-----	-----	-----	10	----	4	12.70	10.16	13.38	6.09	5.00	----
D	87914-1015	-----	-----	-----	-----	-----	10	----	5	12.70	10.16	10.92	5.84	2.79	----
	87914-1025	-----	-----	-----	-----	-----	10	----	5	12.70	10.16	12.25	7.00	2.96	----
	87914-1035	-----	-----	-----	-----	-----	10	----	5	12.70	10.16	13.38	6.09	5.00	----
	87914-1016	-----	-----	-----	-----	-----	10	----	6	12.70	10.16	10.92	5.84	2.79	----
	87914-1026	-----	-----	-----	-----	-----	10	----	6	12.70	10.16	12.25	7.00	2.96	----
	87914-1036	-----	-----	-----	-----	-----	10	----	6	12.70	10.16	13.38	6.09	5.00	----
C	87914-0001	-----	-----	-----	-----	-----	10	----	7	12.70	10.16	12.07	5.97	3.81	----
	-----	-----	-----	-----	87914-1037	-----	10	9	4	12.70	10.16	10.92	5.84	2.79	----
B															

fb\_frame\_A3\_P\_AM\_T  
Rev. F 2009/06/18

PG8, +879140108 EC NO: S2010-0695 DRWN:ATSEE 2010/02/11 CHKD:PTLIM 2004/12/08 APPR:MLONG 2010/06/05	REV D7	DESCRIPTION
---	-----------	-------------

QUALITY SYMBOLS F <sub>A</sub> =0 F <sub>G</sub> =0 F <sub>P</sub> =0	GENERAL TOLERANCES (UNLESS SPECIFIED)	
		mm      INCH
	4 PLACES ± --- ± --- 3 PLACES ± --- ± --- 2 PLACES ± 0.20 ± --- 1 PLACE ± --- ± ---	
	ANGULAR ± 3 °	
	DRAFT WHERE APPLICABLE MUST REMAIN WITHIN DIMENSIONS	

DIMENSION STYLE MM ONLY	
DRAWN BY KCHO	DATE 2004/11/05
CHECKED BY PTLIM	DATE 2004/12/08
APPROVED BY SCLOW	DATE 2004/12/10
MATERIAL NO. SEE TABLE	
SIZE A3	

SCALE NTS	DESIGN UNITS METRIC	THIRD ANGLE PROJECTION
TITLE 2.54MM PITCH DUAL ROW HEADER SINGLE WAFER, T/H		
MOLEX INCORPORATED		
MATERIAL NO. SD-87914-013	DOCUMENT NO.	SHEET NO. 9 OF 46
THIS DRAWING CONTAINS INFORMATION THAT IS PROPRIETARY TO MOLEX INCORPORATED AND SHOULD NOT BE USED WITHOUT WRITTEN PERMISSION		

	10	9	8	7	6	5	4	3	2	1			
	PART NO FOR TRAY PACKAGING	PART NO. FOR TUBE WITHOUT CAP PACKAGING	PART NO. FOR TUBE WITH CAP PACKAGING	PART NO. FOR TAPE & REEL WITHOUT CAP PACKAGING	PART NO. FOR TAPE & REEL WITH CAP PACKAGING	CKT SIZE	VOID POSITION	PLATING TYPE	DIMENSION				
								A	B	F	M	P	
F	87914-1211	-----	-----	-----	-----	12	----	1	15.24	12.70	10.92	5.84	2.79
	87914-1221	-----	-----	-----	-----	12	----	1	15.24	12.70	12.25	7.00	2.96
	87914-1231	-----	-----	-----	-----	12	----	1	15.24	12.70	13.38	6.09	5.00
	87914-1212	-----	-----	-----	-----	12	----	2	15.24	12.70	10.92	5.84	2.79
	87914-1222	-----	-----	-----	-----	12	----	2	15.24	12.70	12.25	7.00	2.96
	87914-1232	-----	-----	-----	-----	12	----	2	15.24	12.70	13.38	6.09	5.00
E	87914-1213	-----	-----	-----	-----	12	----	3	15.24	12.70	10.92	5.84	2.79
	87914-1223	-----	-----	-----	-----	12	----	3	15.24	12.70	12.25	7.00	2.96
	87914-1233	-----	-----	-----	-----	12	----	3	15.24	12.70	13.38	6.09	5.00
	87914-1214	-----	-----	-----	-----	12	----	4	15.24	12.70	10.92	5.84	2.79
	87914-1224	-----	-----	-----	-----	12	----	4	15.24	12.70	12.25	7.00	2.96
	87914-1234	-----	-----	-----	-----	12	----	4	15.24	12.70	13.38	6.09	5.00
D	87914-1215	-----	-----	-----	-----	12	----	5	15.24	12.70	10.92	5.84	2.79
	87914-1225	-----	-----	-----	-----	12	----	5	15.24	12.70	12.25	7.00	2.96
	87914-1235	-----	-----	-----	-----	12	----	5	15.24	12.70	13.38	6.09	5.00
	87914-1216	-----	-----	-----	-----	12	----	6	15.24	12.70	10.92	5.84	2.79
	87914-1226	-----	-----	-----	-----	12	----	6	15.24	12.70	12.25	7.00	2.96
	87914-1236	-----	-----	-----	-----	12	----	6	15.24	12.70	13.38	6.09	5.00

C

B

<b>PG8. +879140108</b> EC NO: S2010-0695 DRAWN:ATSEE 2010/02/11 CHYKD:PTLIM 2004/12/08 APPR:MLONG 2010/06/05	QUALITY SYMBOLS $\nabla_A = 0$ $\nabla_C = 0$ $\nabla_P = 0$	GENERAL TOLERANCES (UNLESS SPECIFIED) <table border="1"> <tr> <th></th> <th>mm</th> <th>INCH</th> </tr> <tr> <td>4 PLACES</td> <td><math>\pm</math> ---</td> <td><math>\pm</math> ---</td> </tr> <tr> <td>3 PLACES</td> <td><math>\pm</math> ---</td> <td><math>\pm</math> ---</td> </tr> <tr> <td>2 PLACES</td> <td><math>\pm 0.20</math></td> <td><math>\pm</math> ---</td> </tr> <tr> <td>1 PLACE</td> <td><math>\pm</math> ---</td> <td><math>\pm</math> ---</td> </tr> </table>		mm	INCH	4 PLACES	$\pm$ ---	$\pm$ ---	3 PLACES	$\pm$ ---	$\pm$ ---	2 PLACES	$\pm 0.20$	$\pm$ ---	1 PLACE	$\pm$ ---	$\pm$ ---	DIMENSION STYLE <b>MM ONLY</b>	SCALE <b>NTS</b>	DESIGN UNITS <b>METRIC</b>	THIRD ANGLE PROJECTION
		mm	INCH																		
	4 PLACES	$\pm$ ---	$\pm$ ---																		
	3 PLACES	$\pm$ ---	$\pm$ ---																		
2 PLACES	$\pm 0.20$	$\pm$ ---																			
1 PLACE	$\pm$ ---	$\pm$ ---																			
DESCRIPTION <b>D7</b>	DRAFT WHERE APPLICABLE MUST REMAIN WITHIN DIMENSIONS	DIMENSION STYLE <b>MM ONLY</b>	DRAWN BY KCHO	DATE 2004/11/05	TITLE <b>2.54MM PITCH DUAL ROW HEADER SINGLE WAFER, T/H</b>																
		ANGULAR $\pm 3^\circ$	CHECKED BY PTLIM	DATE 2004/12/08	<b>MOLEX INCORPORATED</b>																
			APPROVED BY SCLOW	DATE 2004/12/10	MATERIAL NO. <b>SEE TABLE</b>	DOCUMENT NO. <b>SD-87914-013</b>															



PART NO FOR TRAY PACKAGING	PART NO. FOR TUBE WITHOUT CAP PACKAGING	PART NO. FOR TUBE WITH CAP PACKAGING	PART NO. FOR TAPE & REEL WITHOUT CAP PACKAGING	PART NO. FOR TAPE & REEL WITH CAP PACKAGING	CKT SIZE	VOID POSITION	PLATING TYPE	DIMENSION				
								A	B	F	M	P
								F	87914-1411	-----	-----	-----
	87914-1421	-----	-----	-----	14	-----	1	17.78	15.24	12.25	7.00	2.96
	87914-1431	-----	-----	-----	14	-----	1	17.78	15.24	13.38	6.09	5.00
	87914-1412	-----	-----	-----	14	-----	2	17.78	15.24	10.92	5.84	2.79
	87914-1422	-----	-----	-----	14	-----	2	17.78	15.24	12.25	7.00	2.96
	87914-1432	-----	-----	-----	14	-----	2	17.78	15.24	13.38	6.09	5.00
E	87914-1413	-----	-----	-----	14	-----	3	17.78	15.24	10.92	5.84	2.79
	87914-1423	-----	-----	-----	14	-----	3	17.78	15.24	12.25	7.00	2.96
	87914-1433	-----	-----	-----	14	-----	3	17.78	15.24	13.38	6.09	5.00
	87914-1414	-----	-----	-----	14	-----	4	17.78	15.24	10.92	5.84	2.79
	87914-1424	-----	-----	-----	14	-----	4	17.78	15.24	12.25	7.00	2.96
	87914-1434	-----	-----	-----	14	-----	4	17.78	15.24	13.38	6.09	5.00
D	87914-1415	-----	-----	-----	14	-----	5	17.78	15.24	10.92	5.84	2.79
	87914-1425	-----	-----	-----	14	-----	5	17.78	15.24	12.25	7.00	2.96
	87914-1435	-----	-----	-----	14	-----	5	17.78	15.24	13.38	6.09	5.00
	87914-1416	-----	-----	-----	14	-----	6	17.78	15.24	10.92	5.84	2.79
	87914-1426	-----	-----	-----	14	-----	6	17.78	15.24	12.25	7.00	2.96
	87914-1436	-----	-----	-----	14	-----	6	17.78	15.24	13.38	6.09	5.00
C	87914-0007	-----	-----	-----	14	-----	6	17.78	15.24	13.42	8.08	3.05

B

<b>PG8. +879140108</b> EC NO: S2010-0695 DRWN:ATSEE 2010/02/11 CHKD:PTLIM 2004/12/08 APPR:MLONG 2010/06/05	REV <b>D7</b>	DESCRIPTION QUALITY SYMBOLS $\nabla_A = 0$ $\nabla_C = 0$ $\nabla_P = 0$	GENERAL TOLERANCES (UNLESS SPECIFIED)		DIMENSION STYLE <b>MM ONLY</b>		SCALE <b>NTS</b>	DESIGN UNITS <b>METRIC</b>	THIRD ANGLE PROJECTION			
					mm      INCH	DRAWN BY KCHO	DATE 2004/11/05	<b>2.54MM PITCH DUAL ROW HEADER SINGLE WAFER, T/H</b>  <b>MOLEX INCORPORATED</b>				
					4 PLACES ± --- ± --- 3 PLACES ± --- ± --- 2 PLACES ± 0.20 ± --- 1 PLACE ± --- ± ---	CHECKED BY PTLIM	DATE 2004/12/08					
					ANGULAR ± 3 °	APPROVED BY SCLOW	DATE 2004/12/10					
			DRAFT WHERE APPLICABLE MUST REMAIN WITHIN DIMENSIONS		SEE TABLE		MATERIAL NO.	DOCUMENT NO. <b>SD-87914-013</b>			SHEET NO. 12 OF 46	
					SIZE <b>A3</b>	THIS DRAWING CONTAINS INFORMATION THAT IS PROPRIETARY TO MOLEX INCORPORATED AND SHOULD NOT BE USED WITHOUT WRITTEN PERMISSION						

PART NO FOR TRAY PACKAGING	PART NO. FOR TUBE WITHOUT CAP PACKAGING	PART NO. FOR TUBE WITH CAP PACKAGING	PART NO. FOR TAPE & REEL WITHOUT CAP PACKAGING	PART NO. FOR TAPE & REEL WITH CAP PACKAGING	CKT SIZE	VOID POSITION	PLATING TYPE	DIMENSION				
								A	B	F	M	P
87914-1441	-----	-----	-----	-----	14	----	1	17.78	15.24	13.42	8.08	3.05
87914-1442	-----	-----	-----	-----	14	----	2	17.78	15.24	13.42	8.08	3.05
87914-1443	-----	-----	-----	-----	14	----	3	17.78	15.24	13.42	8.08	3.05
87914-1444	-----	-----	-----	-----	14	----	4	17.78	15.24	13.42	8.08	3.05
87914-1445	-----	-----	-----	-----	14	----	5	17.78	15.24	13.42	8.08	3.05

<b>PG8. +879140108</b> EC NO: S2010-0695 DRWN:ATSEE 2010/02/11 CHYK:PTLIM 2004/12/08 APPR:MLONG 2010/06/05 REV <b>D7</b>	QUALITY SYMBOLS	GENERAL TOLERANCES (UNLESS SPECIFIED)	DIMENSION STYLE	SCALE	DESIGN UNITS	THIRD ANGLE PROJECTION															
	$\nabla_A = 0$ $\nabla_C = 0$ $\nabla_P = 0$	<table border="1"> <tr><th colspan="2">mm</th><th>INCH</th></tr> <tr><td>4 PLACES</td><td>± ---</td><td>± ---</td></tr> <tr><td>3 PLACES</td><td>± ---</td><td>± ---</td></tr> <tr><td>2 PLACES</td><td>± 0.20</td><td>± ---</td></tr> <tr><td>1 PLACE</td><td>± ---</td><td>± ---</td></tr> </table>	mm		INCH		4 PLACES	± ---	± ---	3 PLACES	± ---	± ---	2 PLACES	± 0.20	± ---	1 PLACE	± ---	± ---	MM ONLY	NTS	METRIC
	mm		INCH																		
	4 PLACES	± ---	± ---																		
	3 PLACES	± ---	± ---																		
2 PLACES	± 0.20	± ---																			
1 PLACE	± ---	± ---																			
	<table border="1"> <tr><th>DRAWN BY</th><th>DATE</th><th>TITLE</th></tr> <tr><td>KCHO</td><td>2004/11/05</td><td rowspan="3">2.54MM PITCH DUAL ROW HEADER SINGLE WAFER, T/H</td></tr> <tr><th>CHECKED BY</th><th>DATE</th></tr> <tr><td>PTLIM</td><td>2004/12/08</td></tr> <tr><th>APPROVED BY</th><th>DATE</th><td></td></tr> <tr><td>SCLOW</td><td>2004/12/10</td><td></td></tr> </table>	DRAWN BY	DATE	TITLE	KCHO	2004/11/05	2.54MM PITCH DUAL ROW HEADER SINGLE WAFER, T/H	CHECKED BY	DATE	PTLIM	2004/12/08	APPROVED BY	DATE		SCLOW	2004/12/10					MOLEX INCORPORATED
DRAWN BY	DATE	TITLE																			
KCHO	2004/11/05	2.54MM PITCH DUAL ROW HEADER SINGLE WAFER, T/H																			
CHECKED BY	DATE																				
PTLIM	2004/12/08																				
APPROVED BY	DATE																				
SCLOW	2004/12/10																				
	DRAFT WHERE APPLICABLE MUST REMAIN WITHIN DIMENSIONS	SEE TABLE																			
			MATERIAL NO. SEE TABLE		DOCUMENT NO. SD-87914-013	SHEET NO. 13 OF 46															
			SIZE A3	THIS DRAWING CONTAINS INFORMATION THAT IS PROPRIETARY TO MOLEX INCORPORATED AND SHOULD NOT BE USED WITHOUT WRITTEN PERMISSION																	

	10	9	8	7	6	5	4	3	2	1			
	PART NO FOR TRAY PACKAGING	PART NO. FOR TUBE WITHOUT CAP PACKAGING	PART NO. FOR TUBE WITH CAP PACKAGING	PART NO. FOR TAPE & REEL WITHOUT CAP PACKAGING	PART NO. FOR TAPE & REEL WITH CAP PACKAGING	CKT SIZE	VOID POSITION	PLATING TYPE	DIMENSION				
									A	B	F	M	P
F	87914-1611	-----	-----	-----	-----	16	----	1	20.32	17.78	10.92	5.84	2.79
	87914-1621	-----	-----	-----	-----	16	----	1	20.32	17.78	12.25	7.00	2.96
	87914-1631	-----	-----	-----	-----	16	----	1	20.32	17.78	13.38	6.09	5.00
	87914-1612	-----	-----	-----	-----	16	----	2	20.32	17.78	10.92	5.84	2.79
	87914-1622	-----	-----	-----	-----	16	----	2	20.32	17.78	12.25	7.00	2.96
	87914-1632	-----	-----	-----	-----	16	----	2	20.32	17.78	13.38	6.09	5.00
E	87914-1613	-----	-----	-----	-----	16	----	3	20.32	17.78	10.92	5.84	2.79
	87914-1623	-----	-----	-----	-----	16	----	3	20.32	17.78	12.25	7.00	2.96
	87914-1633	-----	-----	-----	-----	16	----	3	20.32	17.78	13.38	6.09	5.00
	87914-1614	-----	-----	-----	-----	16	----	4	20.32	17.78	10.92	5.84	2.79
	87914-1624	-----	-----	-----	-----	16	----	4	20.32	17.78	12.25	7.00	2.96
	87914-1634	-----	-----	-----	-----	16	----	4	20.32	17.78	13.38	6.09	5.00
D	87914-1615	-----	-----	-----	-----	16	----	5	20.32	17.78	10.92	5.84	2.79
	87914-1625	-----	-----	-----	-----	16	----	5	20.32	17.78	12.25	7.00	2.96
	87914-1635	-----	-----	-----	-----	16	----	5	20.32	17.78	13.38	6.09	5.00
	87914-1616	-----	-----	-----	-----	16	----	6	20.32	17.78	10.92	5.84	2.79
	87914-1626	-----	-----	-----	-----	16	----	6	20.32	17.78	12.25	7.00	2.96
	87914-1636	-----	-----	-----	-----	16	----	6	20.32	17.78	13.38	6.09	5.00
C	87914-1600	-----	-----	-----	-----	16	----	6	20.32	17.78	9.49	4.50	2.70
B													

<b>PG8. +879140108</b> EC NO: S2010-0695 DRW:ATSEE 2010/02/11 CHKD:PTLIM 2004/12/08 APPR:MLONG 2010/06/05	QUALITY SYMBOLS $F_A=0$ $F_G=0$ $F_P=0$	GENERAL TOLERANCES (UNLESS SPECIFIED)		DIMENSION STYLE		SCALE	DESIGN UNITS	THIRD ANGLE PROJECTION	
		mm INCH		MM ONLY		NTS	METRIC		
		4 PLACES	$\pm$ ---	$\pm$ ---	DRAWN BY	DATE	TITLE		
		3 PLACES	$\pm$ ---	$\pm$ ---	KCHO	2004/11/05	2.54MM PITCH DUAL ROW HEADER SINGLE WAFER, T/H  <b>MOLEX INCORPORATED</b>		
2 PLACES	$\pm$ 0.20	$\pm$ ---	CHECKED BY	DATE					
1 PLACE	$\pm$ ---	$\pm$ ---	PTLIM	2004/12/08					
ANGULAR $\pm$ 3 °			APPROVED BY	DATE					
DRAFT WHERE APPLICABLE MUST REMAIN WITHIN DIMENSIONS			SCLOW	2004/12/10					
			MATERIAL NO.	SEE TABLE	DOCUMENT NO.	SD-87914-013		SHEET NO.	
			SIZE	A3	THIS DRAWING CONTAINS INFORMATION THAT IS PROPRIETARY TO MOLEX INCORPORATED AND SHOULD NOT BE USED WITHOUT WRITTEN PERMISSION			14 OF 46	



PART NO FOR TRAY PACKAGING	PART NO. FOR TUBE WITHOUT CAP PACKAGING	PART NO. FOR TUBE WITH CAP PACKAGING	PART NO. FOR TAPE & REEL WITHOUT CAP PACKAGING	PART NO. FOR TAPE & REEL WITH CAP PACKAGING	CKT SIZE	VOID POSITION	PLATING TYPE	DIMENSION				
								A	B	F	M	P
								F	87914-1811	-----	-----	-----
	87914-1821	-----	-----	-----	18	----	1	22.86	20.32	12.25	7.00	2.96
	87914-1831	-----	-----	-----	18	----	1	22.86	20.32	13.38	6.09	5.00
	87914-1812	-----	-----	-----	18	----	2	22.86	20.32	10.92	5.84	2.79
	87914-1822	-----	-----	-----	18	----	2	22.86	20.32	12.25	7.00	2.96
	87914-1832	-----	-----	-----	18	----	2	22.86	20.32	13.38	6.09	5.00
E	87914-1813	-----	-----	-----	18	----	3	22.86	20.32	10.92	5.84	2.79
	87914-1823	-----	-----	-----	18	----	3	22.86	20.32	12.25	7.00	2.96
	87914-1833	-----	-----	-----	18	----	3	22.86	20.32	13.38	6.09	5.00
	87914-1814	-----	-----	-----	18	----	4	22.86	20.32	10.92	5.84	2.79
	87914-1824	-----	-----	-----	18	----	4	22.86	20.32	12.25	7.00	2.96
	87914-1834	-----	-----	-----	18	----	4	22.86	20.32	13.38	6.09	5.00
D	87914-1815	-----	-----	-----	18	----	5	22.86	20.32	10.92	5.84	2.79
	87914-1825	-----	-----	-----	18	----	5	22.86	20.32	12.25	7.00	2.96
	87914-1835	-----	-----	-----	18	----	5	22.86	20.32	13.38	6.09	5.00
	87914-1816	-----	-----	-----	18	----	6	22.86	20.32	10.92	5.84	2.79
	87914-1826	-----	-----	-----	18	----	6	22.86	20.32	12.25	7.00	2.96
	87914-1836	-----	-----	-----	18	----	6	22.86	20.32	13.38	6.09	5.00
C												
B												

<b>PG8, +879140108</b> EC NO: S2010-0695 DRWN:ATSEE 2010/02/11 CHKD:PTLIM 2004/12/08 APPR:MLONG 2010/06/05 D7	QUALITY SYMBOLS	GENERAL TOLERANCES (UNLESS SPECIFIED)	DIMENSION STYLE	SCALE	DESIGN UNITS	THIRD ANGLE PROJECTION
	$F_A=0$ $F_G=0$ $F_P=0$	mm INCH 4 PLACES ± --- ± --- 3 PLACES ± --- ± --- 2 PLACES ± 0.20 ± --- 1 PLACE ± --- ± --- ANGULAR ± 3 °	MM ONLY	NTS	METRIC	
	DESCRIPTION	DRAFT WHERE APPLICABLE MUST REMAIN WITHIN DIMENSIONS	DRAWN BY DATE KCHO 2004/11/05 CHECKED BY DATE PTLIM 2004/12/08 APPROVED BY DATE SCLOW 2004/12/10	TITLE	2.54MM PITCH DUAL ROW HEADER SINGLE WAFER, T/H <b>MOLEX INCORPORATED</b>	
	REV	SIZE	MATERIAL NO. SEE TABLE DOCUMENT NO. SD-87914-013 SHEET NO. 15 OF 46	THIS DRAWING CONTAINS INFORMATION THAT IS PROPRIETARY TO MOLEX INCORPORATED AND SHOULD NOT BE USED WITHOUT WRITTEN PERMISSION		

	10	9	8	7	6	5	4	3	2	1				
	PART NO FOR TRAY PACKAGING	PART NO. FOR TUBE WITHOUT CAP PACKAGING	PART NO. FOR TUBE WITH CAP PACKAGING	PART NO. FOR TAPE & REEL WITHOUT CAP PACKAGING	PART NO. FOR TAPE & REEL WITH CAP PACKAGING	CKT SIZE	VOID POSITION	PLATING TYPE	DIMENSION					
								A	B	F	M	P		
F	87914-2011	-----	-----	-----	-----	20	----	1	25.40	22.86	10.92	5.84	2.79	F
	87914-2021	-----	-----	-----	-----	20	----	1	25.40	22.86	12.25	7.00	2.96	
	87914-2031	-----	-----	-----	-----	20	----	1	25.40	22.86	13.38	6.09	5.00	
	87914-2012	-----	-----	-----	-----	20	----	2	25.40	22.86	10.92	5.84	2.79	
	87914-2022	-----	-----	-----	-----	20	----	2	25.40	22.86	12.25	7.00	2.96	
	87914-2032	-----	-----	-----	-----	20	----	2	25.40	22.86	13.38	6.09	5.00	
E	87914-2013	-----	-----	-----	-----	20	----	3	25.40	22.86	10.92	5.84	2.79	E
	87914-2023	-----	-----	-----	-----	20	----	3	25.40	22.86	12.25	7.00	2.96	
	87914-2033	-----	-----	-----	-----	20	----	3	25.40	22.86	13.38	6.09	5.00	
	87914-2014	-----	-----	-----	-----	20	----	4	25.40	22.86	10.92	5.84	2.79	
	87914-2024	-----	-----	-----	-----	20	----	4	25.40	22.86	12.25	7.00	2.96	
	87914-2034	-----	-----	-----	-----	20	----	4	25.40	22.86	13.38	6.09	5.00	
D	87914-2015	-----	-----	-----	-----	20	----	5	25.40	22.86	10.92	5.84	2.79	D
	87914-2025	-----	-----	-----	-----	20	----	5	25.40	22.86	12.25	7.00	2.96	
	87914-2035	-----	-----	-----	-----	20	----	5	25.40	22.86	13.38	6.09	5.00	
	87914-2016	-----	-----	-----	-----	20	----	6	25.40	22.86	10.92	5.84	2.79	
	87914-2026	-----	-----	-----	-----	20	----	6	25.40	22.86	12.25	7.00	2.96	
	87914-2036	-----	-----	-----	-----	20	----	6	25.40	22.86	13.38	6.09	5.00	
C														C
B														B

<b>PG8. +879140108</b> EC NO: S2010-0695 DRWN:ATSEE 2010/02/11 CHKD:PTLIM 2004/12/08 APPR:MLONG 2010/06/05 <b>D7</b>	QUALITY SYMBOLS	GENERAL TOLERANCES (UNLESS SPECIFIED)	DIMENSION STYLE	SCALE	DESIGN UNITS	THIRD ANGLE PROJECTION															
	$F_A=0$ $F_G=0$ $F_P=0$	<table border="1"> <tr><th colspan="2">mm</th><th>INCH</th></tr> <tr><td>4 PLACES</td><td>± ---</td><td>± ---</td></tr> <tr><td>3 PLACES</td><td>± ---</td><td>± ---</td></tr> <tr><td>2 PLACES</td><td>± 0.20</td><td>± ---</td></tr> <tr><td>1 PLACE</td><td>± ---</td><td>± ---</td></tr> </table>	mm		INCH	4 PLACES	± ---	± ---	3 PLACES	± ---	± ---	2 PLACES	± 0.20	± ---	1 PLACE	± ---	± ---	<b>MM ONLY</b> DRAWN BY: KCHO DATE: 2004/11/05 CHECKED BY: PTLIM DATE: 2004/12/08 APPROVED BY: SCLOW DATE: 2004/12/10	NTS	METRIC	
	mm		INCH																		
	4 PLACES	± ---	± ---																		
3 PLACES	± ---	± ---																			
2 PLACES	± 0.20	± ---																			
1 PLACE	± ---	± ---																			
	ANGULAR ± 3 °	DRAFT WHERE APPLICABLE MUST REMAIN WITHIN DIMENSIONS	<b>SEE TABLE</b> MATERIAL NO.	<b>MOLEX</b> MOLEX INCORPORATED DOCUMENT NO.	2.54MM PITCH DUAL ROW HEADER SINGLE WAFER, T/H	SHEET NO. 16 OF 46															
			SIZE <b>A3</b> THIS DRAWING CONTAINS INFORMATION THAT IS PROPRIETARY TO MOLEX INCORPORATED AND SHOULD NOT BE USED WITHOUT WRITTEN PERMISSION																		

	10	9	8	7	6	5	4	3	2	1			
	PART NO FOR TRAY PACKAGING	PART NO. FOR TUBE WITHOUT CAP PACKAGING	PART NO. FOR TUBE WITH CAP PACKAGING	PART NO. FOR TAPE & REEL WITHOUT CAP PACKAGING	PART NO. FOR TAPE & REEL WITH CAP PACKAGING	CKT SIZE	VOID POSITION	PLATING TYPE	DIMENSION				
									A	B	F	M	P
F	87914-2211	-----	-----	-----	-----	22	----	1	27.94	25.40	10.92	5.84	2.79
	87914-2221	-----	-----	-----	-----	22	----	1	27.94	25.40	12.25	7.00	2.96
	87914-2231	-----	-----	-----	-----	22	----	1	27.94	25.40	13.38	6.09	5.00
	87914-2212	-----	-----	-----	-----	22	----	2	27.94	25.40	10.92	5.84	2.79
	87914-2222	-----	-----	-----	-----	22	----	2	27.94	25.40	12.25	7.00	2.96
	87914-2232	-----	-----	-----	-----	22	----	2	27.94	25.40	13.38	6.09	5.00
E	87914-2213	-----	-----	-----	-----	22	----	3	27.94	25.40	10.92	5.84	2.79
	87914-2223	-----	-----	-----	-----	22	----	3	27.94	25.40	12.25	7.00	2.96
	87914-2233	-----	-----	-----	-----	22	----	3	27.94	25.40	13.38	6.09	5.00
	87914-2214	-----	-----	-----	-----	22	----	4	27.94	25.40	10.92	5.84	2.79
	87914-2224	-----	-----	-----	-----	22	----	4	27.94	25.40	12.25	7.00	2.96
	87914-2234	-----	-----	-----	-----	22	----	4	27.94	25.40	13.38	6.09	5.00
D	87914-2215	-----	-----	-----	-----	22	----	5	27.94	25.40	10.92	5.84	2.79
	87914-2225	-----	-----	-----	-----	22	----	5	27.94	25.40	12.25	7.00	2.96
	87914-2235	-----	-----	-----	-----	22	----	5	27.94	25.40	13.38	6.09	5.00
	87914-2216	-----	-----	-----	-----	22	----	6	27.94	25.40	10.92	5.84	2.79
	87914-2226	-----	-----	-----	-----	22	----	6	27.94	25.40	12.25	7.00	2.96
	87914-2236	-----	-----	-----	-----	22	----	6	27.94	25.40	13.38	6.09	5.00
C													
B													

<b>PG8. +879140108</b> EC NO: S2010-0695 DRWN:ATSEE 2010/02/11 CHKD:PTLIM 2004/12/08 APPR:MLONG 2010/06/05 <b>D7</b>	QUALITY SYMBOLS $F_A=0$ $F_C=0$ $F_P=0$	GENERAL TOLERANCES (UNLESS SPECIFIED)		DIMENSION STYLE <b>MM ONLY</b>		SCALE NTS	DESIGN UNITS METRIC	THIRD ANGLE PROJECTION		
				DRAWN BY KCHO	DATE 2004/11/05	TITLE <b>2.54MM PITCH          DUAL ROW HEADER          SINGLE WAFER, T/H</b>				
				CHECKED BY PTLIM	DATE 2004/12/08	APPROVED BY SCLOW				
				ANGULAR $\pm 3^\circ$		MATERIAL NO. <b>SEE TABLE</b>	DATE 2004/12/10	MOLEX INCORPORATED		
		DRAFT WHERE APPLICABLE MUST REMAIN WITHIN DIMENSIONS			THIS DRAWING CONTAINS INFORMATION THAT IS PROPRIETARY TO MOLEX INCORPORATED AND SHOULD NOT BE USED WITHOUT WRITTEN PERMISSION					

PART NO FOR TRAY PACKAGING	PART NO. FOR TUBE WITHOUT CAP PACKAGING	PART NO. FOR TUBE WITH CAP PACKAGING	PART NO. FOR TAPE & REEL WITHOUT CAP PACKAGING	PART NO. FOR TAPE & REEL WITH CAP PACKAGING	CKT SIZE	VOID POSITION	PLATING TYPE	DIMENSION				
								A	B	F	M	P
								F	87914-2411	-----	-----	-----
	87914-2421	-----	-----	-----	24	-----	1	30.48	27.94	12.25	7.00	2.96
	87914-2431	-----	-----	-----	24	-----	1	30.48	27.94	13.38	6.09	5.00
	87914-2412	-----	-----	-----	24	-----	2	30.48	27.94	10.92	5.84	2.79
	87914-2422	-----	-----	-----	24	-----	2	30.48	27.94	12.25	7.00	2.96
	87914-2432	-----	-----	-----	24	-----	2	30.48	27.94	13.38	6.09	5.00
E	87914-2413	-----	-----	-----	24	-----	3	30.48	27.94	10.92	5.84	2.79
	87914-2423	-----	-----	-----	24	-----	3	30.48	27.94	12.25	7.00	2.96
	87914-2433	-----	-----	-----	24	-----	3	30.48	27.94	13.38	6.09	5.00
	87914-2414	-----	-----	-----	24	-----	4	30.48	27.94	10.92	5.84	2.79
	87914-2424	-----	-----	-----	24	-----	4	30.48	27.94	12.25	7.00	2.96
	87914-2434	-----	-----	-----	24	-----	4	30.48	27.94	13.38	6.09	5.00
D	87914-2415	-----	-----	-----	24	-----	5	30.48	27.94	10.92	5.84	2.79
	87914-2425	-----	-----	-----	24	-----	5	30.48	27.94	12.25	7.00	2.96
	87914-2435	-----	-----	-----	24	-----	5	30.48	27.94	13.38	6.09	5.00
	87914-2416	-----	-----	-----	24	-----	6	30.48	27.94	10.92	5.84	2.79
	87914-2426	-----	-----	-----	24	-----	6	30.48	27.94	12.25	7.00	2.96
	87914-2436	-----	-----	-----	24	-----	6	30.48	27.94	13.38	6.09	5.00
C												
B												

<b>PG8, +879140108</b> EC NO: S2010-0695 DRWN:ATSEE 2010/02/11 CHKD:PTLIM 2004/12/08 APPR:MLONG 2010/06/05 D7	QUALITY SYMBOLS $F_A=0$ $F_G=0$ $F_P=0$	GENERAL TOLERANCES (UNLESS SPECIFIED)		DIMENSION STYLE <b>MM ONLY</b>		SCALE NTS	DESIGN UNITS METRIC	THIRD ANGLE PROJECTION			
		4 PLACES ± --- ± --- 3 PLACES ± --- ± --- 2 PLACES ± 0.20 ± --- 1 PLACE ± --- ± ---	mm    INCH	DRAWN BY KCHO	DATE 2004/11/05	TITLE <b>2.54MM PITCH          DUAL ROW HEADER          SINGLE WAFER, T/H</b>					
		ANGULAR ± 3 °		CHECKED BY PTLIM	DATE 2004/12/08	MOLEX INCORPORATED					
		DRAFT WHERE APPLICABLE MUST REMAIN WITHIN DIMENSIONS		APPROVED BY SCLOW	DATE 2004/12/10	MATERIAL NO. <b>SEE TABLE</b>	DOCUMENT NO. <b>SD-87914-013</b>	SHEET NO. 18 OF 46			

PART NO FOR TRAY PACKAGING	PART NO. FOR TUBE WITHOUT CAP PACKAGING	PART NO. FOR TUBE WITH CAP PACKAGING	PART NO. FOR TAPE & REEL WITHOUT CAP PACKAGING	PART NO. FOR TAPE & REEL WITH CAP PACKAGING	CKT SIZE	VOID POSITION	PLATING TYPE	DIMENSION				
								A	B	F	M	P
								F	87914-2611	-----	-----	-----
	87914-2621	-----	-----	-----	26	----	1	33.02	30.48	12.25	7.00	2.96
	87914-2631	-----	-----	-----	26	----	1	33.02	30.48	13.38	6.09	5.00
	87914-2612	-----	-----	-----	26	----	2	33.02	30.48	10.92	5.84	2.79
	87914-2622	-----	-----	-----	26	----	2	33.02	30.48	12.25	7.00	2.96
	87914-2632	-----	-----	-----	26	----	2	33.02	30.48	13.38	6.09	5.00
E	87914-2613	-----	-----	-----	26	----	3	33.02	30.48	10.92	5.84	2.79
	87914-2623	-----	-----	-----	26	----	3	33.02	30.48	12.25	7.00	2.96
	87914-2633	-----	-----	-----	26	----	3	33.02	30.48	13.38	6.09	5.00
	87914-2614	-----	-----	-----	26	----	4	33.02	30.48	10.92	5.84	2.79
	87914-2624	-----	-----	-----	26	----	4	33.02	30.48	12.25	7.00	2.96
	87914-2634	-----	-----	-----	26	----	4	33.02	30.48	13.38	6.09	5.00
D	87914-2615	-----	-----	-----	26	----	5	33.02	30.48	10.92	5.84	2.79
	87914-2625	-----	-----	-----	26	----	5	33.02	30.48	12.25	7.00	2.96
	87914-2635	-----	-----	-----	26	----	5	33.02	30.48	13.38	6.09	5.00
	87914-2616	-----	-----	-----	26	----	6	33.02	30.48	10.92	5.84	2.79
	87914-2626	-----	-----	-----	26	----	6	33.02	30.48	12.25	7.00	2.96
	87914-2636	-----	-----	-----	26	----	6	33.02	30.48	13.38	6.09	5.00
C												
B												

<b>PG8. +879140108</b> EC NO: S2010-0695 DRWN:ATSEE 2010/02/11 CHKD:PTLIM 2004/12/08 APPR:MLONG 2010/06/05 <b>D7</b>	QUALITY SYMBOLS $F_A=0$ $F_G=0$ $F_P=0$	GENERAL TOLERANCES (UNLESS SPECIFIED)		DIMENSION STYLE <b>MM ONLY</b>		SCALE <b>NTS</b>	DESIGN UNITS <b>METRIC</b>	THIRD ANGLE PROJECTION		
				DRAWN BY KCHO	DATE 2004/11/05	TITLE <b>2.54MM PITCH          DUAL ROW HEADER          SINGLE WAFER, T/H</b>				
				CHECKED BY PTLIM	DATE 2004/12/08	APPROVED BY SCLOW				
				MATERIAL NO. <b>SEE TABLE</b>		DATE 2004/12/10	DOCUMENT NO. <b>SD-87914-013</b>		SHEET NO. 19 OF 46	
		DRAFT WHERE APPLICABLE MUST REMAIN WITHIN DIMENSIONS		SIZE <b>A3</b>		THIS DRAWING CONTAINS INFORMATION THAT IS PROPRIETARY TO MOLEX INCORPORATED AND SHOULD NOT BE USED WITHOUT WRITTEN PERMISSION				

	10	9	8	7	6	5	4	3	2	1			
	PART NO FOR TRAY PACKAGING	PART NO. FOR TUBE WITHOUT CAP PACKAGING	PART NO. FOR TUBE WITH CAP PACKAGING	PART NO. FOR TAPE & REEL WITHOUT CAP PACKAGING	PART NO. FOR TAPE & REEL WITH CAP PACKAGING	CKT SIZE	VOID POSITION	PLATING TYPE	DIMENSION				
									A	B	F	M	P
F	87914-2811	-----	-----	-----	-----	28	-----	1	35.56	33.02	10.92	5.84	2.79
	87914-2821	-----	-----	-----	-----	28	-----	1	35.56	33.02	12.25	7.00	2.96
	87914-2831	-----	-----	-----	-----	28	-----	1	35.56	33.02	13.38	6.09	5.00
	87914-2812	-----	-----	-----	-----	28	-----	2	35.56	33.02	10.92	5.84	2.79
	87914-2822	-----	-----	-----	-----	28	-----	2	35.56	33.02	12.25	7.00	2.96
	87914-2832	-----	-----	-----	-----	28	-----	2	35.56	33.02	13.38	6.09	5.00
E	87914-2813	-----	-----	-----	-----	28	-----	3	35.56	33.02	10.92	5.84	2.79
	87914-2823	-----	-----	-----	-----	28	-----	3	35.56	33.02	12.25	7.00	2.96
	87914-2833	-----	-----	-----	-----	28	-----	3	35.56	33.02	13.38	6.09	5.00
	87914-2814	-----	-----	-----	-----	28	-----	4	35.56	33.02	10.92	5.84	2.79
	87914-2824	-----	-----	-----	-----	28	-----	4	35.56	33.02	12.25	7.00	2.96
	87914-2834	-----	-----	-----	-----	28	-----	4	35.56	33.02	13.38	6.09	5.00
D	87914-2815	-----	-----	-----	-----	28	-----	5	35.56	33.02	10.92	5.84	2.79
	87914-2825	-----	-----	-----	-----	28	-----	5	35.56	33.02	12.25	7.00	2.96
	87914-2835	-----	-----	-----	-----	28	-----	5	35.56	33.02	13.38	6.09	5.00
	87914-2816	-----	-----	-----	-----	28	-----	6	35.56	33.02	10.92	5.84	2.79
	87914-2826	-----	-----	-----	-----	28	-----	6	35.56	33.02	12.25	7.00	2.96
	87914-2836	-----	-----	-----	-----	28	-----	6	35.56	33.02	13.38	6.09	5.00
C													
B													

<b>PG8. +879140108</b> EC NO: S2010-0695 DRWN:ATSEE 2010/02/11 CHKD:PTLIM 2004/12/08 APPR:MLONG 2010/06/05 <b>D7</b>	QUALITY SYMBOLS $F_A=0$ $F_G=0$ $F_P=0$	GENERAL TOLERANCES (UNLESS SPECIFIED) <table border="1"> <tr><th colspan="2">mm</th><th>INCH</th></tr> <tr><td>4 PLACES</td><td>± ---</td><td>± ---</td></tr> <tr><td>3 PLACES</td><td>± ---</td><td>± ---</td></tr> <tr><td>2 PLACES</td><td>± 0.20</td><td>± ---</td></tr> <tr><td>1 PLACE</td><td>± ---</td><td>± ---</td></tr> </table>	mm		INCH	4 PLACES	± ---	± ---	3 PLACES	± ---	± ---	2 PLACES	± 0.20	± ---	1 PLACE	± ---	± ---	DIMENSION STYLE <b>MM ONLY</b>	SCALE <b>NTS</b>	DESIGN UNITS <b>METRIC</b>	THIRD ANGLE PROJECTION
	mm		INCH																		
	4 PLACES	± ---	± ---																		
	3 PLACES	± ---	± ---																		
2 PLACES	± 0.20	± ---																			
1 PLACE	± ---	± ---																			
DRAWN BY KCHO	DATE 2004/11/05	TITLE <b>2.54MM PITCH          DUAL ROW HEADER          SINGLE WAFER, T/H</b>																			
CHECKED BY PTLIM	DATE 2004/12/08	<b>MOLEX</b> MOLEX INCORPORATED																			
APPROVED BY SCLOW	DATE 2004/12/10	MATERIAL NO. <b>SEE TABLE</b>																			
DRAFT WHERE APPLICABLE MUST REMAIN WITHIN DIMENSIONS	SIZE <b>A3</b>	THIS DRAWING CONTAINS INFORMATION THAT IS PROPRIETARY TO MOLEX INCORPORATED AND SHOULD NOT BE USED WITHOUT WRITTEN PERMISSION																			

	10	9	8	7	6	5	4	3	2	1				
	PART NO FOR TRAY PACKAGING	PART NO. FOR TUBE WITHOUT CAP PACKAGING	PART NO. FOR TUBE WITH CAP PACKAGING	PART NO. FOR TAPE & REEL WITHOUT CAP PACKAGING	PART NO. FOR TAPE & REEL WITH CAP PACKAGING	CKT SIZE	VOID POSITION	PLATING TYPE	DIMENSION					
								A	B	F	M	P		
F	87914-3011	-----	-----	-----	-----	30	----	1	38.10	35.56	10.92	5.84	2.79	F
	87914-3021	-----	-----	-----	-----	30	----	1	38.10	35.56	12.25	7.00	2.96	
	87914-3031	-----	-----	-----	-----	30	----	1	38.10	35.56	13.38	6.09	5.00	
	87914-3012	-----	-----	-----	-----	30	----	2	38.10	35.56	10.92	5.84	2.79	
	87914-3022	-----	-----	-----	-----	30	----	2	38.10	35.56	12.25	7.00	2.96	
	87914-3032	-----	-----	-----	-----	30	----	2	38.10	35.56	13.38	6.09	5.00	
E	87914-3013	-----	-----	-----	-----	30	----	3	38.10	35.56	10.92	5.84	2.79	E
	87914-3023	-----	-----	-----	-----	30	----	3	38.10	35.56	12.25	7.00	2.96	
	87914-3033	-----	-----	-----	-----	30	----	3	38.10	35.56	13.38	6.09	5.00	
	87914-3014	-----	-----	-----	-----	30	----	4	38.10	35.56	10.92	5.84	2.79	
	87914-3024	-----	-----	-----	-----	30	----	4	38.10	35.56	12.25	7.00	2.96	
	87914-3034	-----	-----	-----	-----	30	----	4	38.10	35.56	13.38	6.09	5.00	
D	87914-3015	-----	-----	-----	-----	30	----	5	38.10	35.56	10.92	5.84	2.79	D
	87914-3025	-----	-----	-----	-----	30	----	5	38.10	35.56	12.25	7.00	2.96	
	87914-3035	-----	-----	-----	-----	30	----	5	38.10	35.56	13.38	6.09	5.00	
	87914-3016	-----	-----	-----	-----	30	----	6	38.10	35.56	10.92	5.84	2.79	
	87914-3026	-----	-----	-----	-----	30	----	6	38.10	35.56	12.25	7.00	2.96	
	87914-3036	-----	-----	-----	-----	30	----	6	38.10	35.56	13.38	6.09	5.00	
C														C
B														B

<b>PG8. +879140108</b> EC NO: S2010-0695 DRWN:ATSEE 2010/02/11 CHKD:PTLIM 2004/12/08 APPR:MLONG 2010/06/05 <b>D7</b>	QUALITY SYMBOLS	GENERAL TOLERANCES (UNLESS SPECIFIED)	DIMENSION STYLE	SCALE	DESIGN UNITS	THIRD ANGLE PROJECTION															
	$F_A=0$ $F_G=0$ $F_P=0$	<table border="1"> <tr><th colspan="2">mm</th><th>INCH</th></tr> <tr><td>4 PLACES</td><td>± ---</td><td>± ---</td></tr> <tr><td>3 PLACES</td><td>± ---</td><td>± ---</td></tr> <tr><td>2 PLACES</td><td>± 0.20</td><td>± ---</td></tr> <tr><td>1 PLACE</td><td>± ---</td><td>± ---</td></tr> </table>	mm		INCH	4 PLACES	± ---	± ---	3 PLACES	± ---	± ---	2 PLACES	± 0.20	± ---	1 PLACE	± ---	± ---	MM ONLY	NTS	METRIC	
	mm		INCH																		
	4 PLACES	± ---	± ---																		
3 PLACES	± ---	± ---																			
2 PLACES	± 0.20	± ---																			
1 PLACE	± ---	± ---																			
DESCRIPTION	ANGULAR ± 3 °	DRAWN BY DATE	TITLE	<b>2.54MM PITCH DUAL ROW HEADER SINGLE WAFER, T/H</b>  <b>MOLEX INCORPORATED</b>																	
REV	DRAFT WHERE APPLICABLE MUST REMAIN WITHIN DIMENSIONS	CHECKED BY DATE	APPROVED BY DATE																		
		MATERIAL NO.	DOCUMENT NO.	SHEET NO.																	
		SIZE	THIS DRAWING CONTAINS INFORMATION THAT IS PROPRIETARY TO MOLEX INCORPORATED AND SHOULD NOT BE USED WITHOUT WRITTEN PERMISSION																		

F	PART NO FOR TRAY PACKAGING	PART NO. FOR TUBE WITHOUT CAP PACKAGING	PART NO. FOR TUBE WITH CAP PACKAGING	PART NO. FOR TAPE & REEL WITHOUT CAP PACKAGING	PART NO. FOR TAPE & REEL WITH CAP PACKAGING	CKT SIZE	VOID POSITION	PLATING TYPE	DIMENSION				
									A	B	F	M	P
									87914-3211	-----	-----	-----	-----
87914-3221	-----	-----	-----	-----	32	----	1	40.64	38.10	12.25	7.00	2.96	
87914-3231	-----	-----	-----	-----	32	----	1	40.64	38.10	13.38	6.09	5.00	
87914-3212	-----	-----	-----	-----	32	----	2	40.64	38.10	10.92	5.84	2.79	
87914-3222	-----	-----	-----	-----	32	----	2	40.64	38.10	12.25	7.00	2.96	
87914-3232	-----	-----	-----	-----	32	----	2	40.64	38.10	13.38	6.09	5.00	
87914-3213	-----	-----	-----	-----	32	----	3	40.64	38.10	10.92	5.84	2.79	
87914-3223	-----	-----	-----	-----	32	----	3	40.64	38.10	12.25	7.00	2.96	
87914-3233	-----	-----	-----	-----	32	----	3	40.64	38.10	13.38	6.09	5.00	
87914-3214	-----	-----	-----	-----	32	----	4	40.64	38.10	10.92	5.84	2.79	
87914-3224	-----	-----	-----	-----	32	----	4	40.64	38.10	12.25	7.00	2.96	
87914-3234	-----	-----	-----	-----	32	----	4	40.64	38.10	13.38	6.09	5.00	
87914-3215	-----	-----	-----	-----	32	----	5	40.64	38.10	10.92	5.84	2.79	
87914-3225	-----	-----	-----	-----	32	----	5	40.64	38.10	12.25	7.00	2.96	
87914-3235	-----	-----	-----	-----	32	----	5	40.64	38.10	13.38	6.09	5.00	
87914-3216	-----	-----	-----	-----	32	----	6	40.64	38.10	10.92	5.84	2.79	
87914-3226	-----	-----	-----	-----	32	----	6	40.64	38.10	12.25	7.00	2.96	
87914-3236	-----	-----	-----	-----	32	----	6	40.64	38.10	13.38	6.09	5.00	

<b>PG8. +879140108</b> EC NO: S2010-0695 DRWN:ATSEE 2010/02/11 CHKD:PTLIM 2004/12/08 APPR:MLONG 2010/06/05 D7	QUALITY SYMBOLS $F_A=0$ $F_C=0$ $F_P=0$	GENERAL TOLERANCES (UNLESS SPECIFIED)		DIMENSION STYLE <b>MM ONLY</b>		SCALE <b>NTS</b>	DESIGN UNITS <b>METRIC</b>	THIRD ANGLE PROJECTION		
				DRAWN BY KCHO	DATE 2004/11/05		TITLE <b>2.54MM PITCH          DUAL ROW HEADER          SINGLE WAFER, T/H</b>			
				CHECKED BY PTLIM	DATE 2004/12/08		<b>MOLEX INCORPORATED</b>			
				APPROVED BY SCLOW	DATE 2004/12/10		MATERIAL NO. <b>SEE TABLE</b>	DOCUMENT NO. <b>SD-87914-013</b>	SHEET NO. <b>22 OF 46</b>	
		DRAFT WHERE APPLICABLE MUST REMAIN WITHIN DIMENSIONS		THIS DRAWING CONTAINS INFORMATION THAT IS PROPRIETARY TO MOLEX INCORPORATED AND SHOULD NOT BE USED WITHOUT WRITTEN PERMISSION						







F	10	9	8	7	6	5	4	3	2	1			
	PART NO FOR TRAY PACKAGING	PART NO. FOR TUBE WITHOUT CAP PACKAGING	PART NO. FOR TUBE WITH CAP PACKAGING	PART NO. FOR TAPE & REEL WITHOUT CAP PACKAGING	PART NO. FOR TAPE & REEL WITH CAP PACKAGING	CKT SIZE	VOID POSITION	PLATING TYPE	DIMENSION				
									A	B	F	M	P
	87914-3811	-----	-----	-----	-----	38	----	1	48.26	45.72	10.92	5.84	2.79
	87914-3821	-----	-----	-----	-----	38	----	1	48.26	45.72	12.25	7.00	2.96
	87914-3831	-----	-----	-----	-----	38	----	1	48.26	45.72	13.38	6.09	5.00
	87914-3812	-----	-----	-----	-----	38	----	2	48.26	45.72	10.92	5.84	2.79
	87914-3822	-----	-----	-----	-----	38	----	2	48.26	45.72	12.25	7.00	2.96
	87914-3832	-----	-----	-----	-----	38	----	2	48.26	45.72	13.38	6.09	5.00
E	87914-3813	-----	-----	-----	-----	38	----	3	48.26	45.72	10.92	5.84	2.79
	87914-3823	-----	-----	-----	-----	38	----	3	48.26	45.72	12.25	7.00	2.96
	87914-3833	-----	-----	-----	-----	38	----	3	48.26	45.72	13.38	6.09	5.00
	87914-3814	-----	-----	-----	-----	38	----	4	48.26	45.72	10.92	5.84	2.79
	87914-3824	-----	-----	-----	-----	38	----	4	48.26	45.72	12.25	7.00	2.96
	87914-3834	-----	-----	-----	-----	38	----	4	48.26	45.72	13.38	6.09	5.00
D	87914-3815	-----	-----	-----	-----	38	----	5	48.26	45.72	10.92	5.84	2.79
	87914-3825	-----	-----	-----	-----	38	----	5	48.26	45.72	12.25	7.00	2.96
	87914-3835	-----	-----	-----	-----	38	----	5	48.26	45.72	13.38	6.09	5.00
	87914-3816	-----	-----	-----	-----	38	----	6	48.26	45.72	10.92	5.84	2.79
	87914-3826	-----	-----	-----	-----	38	----	6	48.26	45.72	12.25	7.00	2.96
	87914-3836	-----	-----	-----	-----	38	----	6	48.26	45.72	13.38	6.09	5.00
C													
B													

<b>PG8. +879140108</b> EC NO: S2010-0695 DRWN:ATSEE 2010/02/11 CHKD:PTLIM 2004/12/08 APPR:MLONG 2010/06/05 <b>D7</b>	QUALITY SYMBOLS $F_A=0$ $F_G=0$ $F_P=0$	GENERAL TOLERANCES (UNLESS SPECIFIED)		DIMENSION STYLE <b>MM ONLY</b>		SCALE <b>NTS</b>	DESIGN UNITS <b>METRIC</b>	THIRD ANGLE PROJECTION		
				DRAWN BY KCHO	DATE 2004/11/05	TITLE <b>2.54MM PITCH          DUAL ROW HEADER          SINGLE WAFER, T/H</b>				
				CHECKED BY PTLIM	DATE 2004/12/08	APPROVED BY SCLOW				
				MATERIAL NO. <b>SEE TABLE</b>		DATE 2004/12/10	DOCUMENT NO. <b>SD-87914-013</b>		SHEET NO. 25 OF 46	
		DRAFT WHERE APPLICABLE MUST REMAIN WITHIN DIMENSIONS		SIZE <b>A3</b>		THIS DRAWING CONTAINS INFORMATION THAT IS PROPRIETARY TO MOLEX INCORPORATED AND SHOULD NOT BE USED WITHOUT WRITTEN PERMISSION				

PART NO FOR TRAY PACKAGING	PART NO. FOR TUBE WITHOUT CAP PACKAGING	PART NO. FOR TUBE WITH CAP PACKAGING	PART NO. FOR TAPE & REEL WITHOUT CAP PACKAGING	PART NO. FOR TAPE & REEL WITH CAP PACKAGING	CKT SIZE	VOID POSITION	PLATING TYPE	DIMENSION				
								A	B	F	M	P
								F	87914-4011	-----	-----	-----
	87914-4021	-----	-----	-----	40	----	1	50.80	48.26	12.25	7.00	2.96
	87914-4031	-----	-----	-----	40	----	1	50.80	48.26	13.38	6.09	5.00
	87914-4012	-----	-----	-----	40	----	2	50.80	48.26	10.92	5.84	2.79
	87914-4022	-----	-----	-----	40	----	2	50.80	48.26	12.25	7.00	2.96
	87914-4032	-----	-----	-----	40	----	2	50.80	48.26	13.38	6.09	5.00
E	87914-4013	-----	-----	-----	40	----	3	50.80	48.26	10.92	5.84	2.79
	87914-4023	-----	-----	-----	40	----	3	50.80	48.26	12.25	7.00	2.96
	87914-4033	-----	-----	-----	40	----	3	50.80	48.26	13.38	6.09	5.00
	87914-4014	-----	-----	-----	40	----	4	50.80	48.26	10.92	5.84	2.79
	87914-4024	-----	-----	-----	40	----	4	50.80	48.26	12.25	7.00	2.96
	87914-4034	-----	-----	-----	40	----	4	50.80	48.26	13.38	6.09	5.00
D	87914-4015	-----	-----	-----	40	----	5	50.80	48.26	10.92	5.84	2.79
	87914-4025	-----	-----	-----	40	----	5	50.80	48.26	12.25	7.00	2.96
	87914-4035	-----	-----	-----	40	----	5	50.80	48.26	13.38	6.09	5.00
	87914-4016	-----	-----	-----	40	----	6	50.80	48.26	10.92	5.84	2.79
	87914-4026	-----	-----	-----	40	----	6	50.80	48.26	12.25	7.00	2.96
	87914-4036	-----	-----	-----	40	----	6	50.80	48.26	13.38	6.09	5.00
C												
B												

<b>PG8. +879140108</b> EC NO: S2010-0695 DRWN:ATSEE 2010/02/11 CHKD:PTLIM 2004/12/08 APPR:MLONG 2010/06/05 D7	QUALITY SYMBOLS $F_A=0$ $F_G=0$ $F_P=0$	GENERAL TOLERANCES (UNLESS SPECIFIED)		DIMENSION STYLE <b>MM ONLY</b>		SCALE <b>NTS</b>	DESIGN UNITS <b>METRIC</b>	THIRD ANGLE PROJECTION		
				DRAWN BY KCHO	DATE 2004/11/05	TITLE <b>2.54MM PITCH          DUAL ROW HEADER          SINGLE WAFER, T/H</b>				
				CHECKED BY PTLIM	DATE 2004/12/08	APPROVED BY SCLOW				
				MATERIAL NO. <b>SEE TABLE</b>		DATE 2004/12/10	DOCUMENT NO. <b>SD-87914-013</b>		SHEET NO. 26 OF 46	
		DRAFT WHERE APPLICABLE MUST REMAIN WITHIN DIMENSIONS			THIS DRAWING CONTAINS INFORMATION THAT IS PROPRIETARY TO MOLEX INCORPORATED AND SHOULD NOT BE USED WITHOUT WRITTEN PERMISSION					

10	9	8	7	6	5	4	3	2	1	DIMENSION												
										PART NO. FOR TRAY PACKAGING	PART NO. FOR TUBE WITHOUT CAP PACKAGING	PART NO. FOR TUBE WITH CAP PACKAGING	PART NO. FOR TAPE & REEL WITHOUT CAP PACKAGING	PART NO. FOR TAPE & REEL WITH CAP PACKAGING	CKT SIZE	VOID POSITION	PLATING TYPE	A	B	F	M	P
F	87914-4211	-----	-----	-----	-----	42	----	1	53.34	50.80	10.92	5.84	2.79									
	87914-4221	-----	-----	-----	-----	42	----	1	53.34	50.80	12.25	7.00	2.96									
	87914-4212	-----	-----	-----	-----	42	----	2	53.34	50.80	10.92	5.84	2.79									
	87914-4222	-----	-----	-----	-----	42	----	2	53.34	50.80	12.25	7.00	2.96									
	87914-4213	-----	-----	-----	-----	42	----	3	53.34	50.80	10.92	5.84	2.79									
	87914-4223	-----	-----	-----	-----	42	----	3	53.34	50.80	12.25	7.00	2.96									
E	87914-4214	-----	-----	-----	-----	42	----	4	53.34	50.80	10.92	5.84	2.79									
	87914-4224	-----	-----	-----	-----	42	----	4	53.34	50.80	12.25	7.00	2.96									
	87914-4215	-----	-----	-----	-----	42	----	5	53.34	50.80	10.92	5.84	2.79									
	87914-4225	-----	-----	-----	-----	42	----	5	53.34	50.80	12.25	7.00	2.96									
	87914-4216	-----	-----	-----	-----	42	----	6	53.34	50.80	10.92	5.84	2.79									
	87914-4226	-----	-----	-----	-----	42	----	6	53.34	50.80	12.25	7.00	2.96									
D																						
C																						
B																						

PG8. +879140108 EC NO: S2010-0695 DRWN:ATSEE 2010/02/11 CHKD:PTLIM 2004/12/08 APPR:MLONG 2010/06/05	DESCRIPTION REV	$F_A = 0$ $F_G = 0$ $F_P = 0$	QUALITY SYMBOLS	GENERAL TOLERANCES (UNLESS SPECIFIED)	DIMENSION STYLE MM ONLY	SCALE NTS	DESIGN UNITS METRIC	THIRD ANGLE PROJECTION	2.54MM PITCH DUAL ROW HEADER SINGLE WAFER, T/H  MOLEX INCORPORATED	DRAWN BY: KCHO DATE: 2004/11/05	TITLE:	DOCUMENT NO. SD-87914-013	SHEET NO. 27 OF 46	
		4 PLACES ± --- ± --- 3 PLACES ± --- ± --- 2 PLACES ± 0.20 ± --- 1 PLACE ± --- ± ---								CHECKED BY: PTLIM DATE: 2004/12/08				
		ANGULAR ± 3 °								APPROVED BY: SCLOW DATE: 2004/12/10				
		DRAFT WHERE APPLICABLE MUST REMAIN WITHIN DIMENSIONS								MATERIAL NO. SEE TABLE				
		SIZE A3								THIS DRAWING CONTAINS INFORMATION THAT IS PROPRIETARY TO MOLEX INCORPORATED AND SHOULD NOT BE USED WITHOUT WRITTEN PERMISSION				

PART NO FOR TRAY PACKAGING	PART NO. FOR TUBE WITHOUT CAP PACKAGING	PART NO. FOR TUBE WITH CAP PACKAGING	PART NO. FOR TAPE & REEL WITHOUT CAP PACKAGING	PART NO. FOR TAPE & REEL WITH CAP PACKAGING	CKT SIZE	VOID POSITION	PLATING TYPE	DIMENSION				
								A	B	F	M	P
								87914-4411	-----	-----	-----	-----
87914-4421	-----	-----	-----	-----	44	----	1	55.88	53.34	12.25	7.00	2.96
87914-4412	-----	-----	-----	-----	44	----	2	55.88	53.34	10.92	5.84	2.79
87914-4422	-----	-----	-----	-----	44	----	2	55.88	53.34	12.25	7.00	2.96
87914-4413	-----	-----	-----	-----	44	----	3	55.88	53.34	10.92	5.84	2.79
87914-4423	-----	-----	-----	-----	44	----	3	55.88	53.34	12.25	7.00	2.96
87914-4414	-----	-----	-----	-----	44	----	4	55.88	53.34	10.92	5.84	2.79
87914-4424	-----	-----	-----	-----	44	----	4	55.88	53.34	12.25	7.00	2.96
87914-4415	-----	-----	-----	-----	44	----	5	55.88	53.34	10.92	5.84	2.79
87914-4425	-----	-----	-----	-----	44	----	5	55.88	53.34	12.25	7.00	2.96
87914-4416	-----	-----	-----	-----	44	----	6	55.88	53.34	10.92	5.84	2.79
87914-4426	-----	-----	-----	-----	44	----	6	55.88	53.34	12.25	7.00	2.96

PG8. +879140108 EC NO: S2010-0695 DRWN:ATSEE 2010/02/11 CHKD:PTLIM 2004/12/08 APPR:MLONG 2010/06/05 D7	QUALITY SYMBOLS	GENERAL TOLERANCES (UNLESS SPECIFIED)	DIMENSION STYLE	SCALE	DESIGN UNITS	THIRD ANGLE PROJECTION															
	$F_A=0$ $F_G=0$ $F_P=0$	<table border="1"> <thead> <tr> <th></th> <th>mm</th> <th>INCH</th> </tr> </thead> <tbody> <tr> <td>4 PLACES</td> <td>± ---</td> <td>± ---</td> </tr> <tr> <td>3 PLACES</td> <td>± ---</td> <td>± ---</td> </tr> <tr> <td>2 PLACES</td> <td>± 0.20</td> <td>± ---</td> </tr> <tr> <td>1 PLACE</td> <td>± ---</td> <td>± ---</td> </tr> </tbody> </table>		mm	INCH	4 PLACES	± ---	± ---	3 PLACES	± ---	± ---	2 PLACES	± 0.20	± ---	1 PLACE	± ---	± ---	MM ONLY	NTS	METRIC	
		mm	INCH																		
	4 PLACES	± ---	± ---																		
	3 PLACES	± ---	± ---																		
2 PLACES	± 0.20	± ---																			
1 PLACE	± ---	± ---																			
DESCRIPTION			DRAWN BY	DATE	TITLE																
			KCHO	2004/11/05	2.54MM PITCH DUAL ROW HEADER SINGLE WAFER, T/H																
			CHECKED BY	DATE																	
			PTLIM	2004/12/08																	
			APPROVED BY	DATE																	
			SLOW	2004/12/10																	
			MATERIAL NO.	DOCUMENT NO.																	
			SEE TABLE		MOLEX INCORPORATED																
					SD-87914-013																
						SHEET NO. 28 OF 46															
			SIZE A3	THIS DRAWING CONTAINS INFORMATION THAT IS PROPRIETARY TO MOLEX INCORPORATED AND SHOULD NOT BE USED WITHOUT WRITTEN PERMISSION																	

	10	9	8	7	6	5	4	3	2	1				
	PART NO FOR TRAY PACKAGING	PART NO. FOR TUBE WITHOUT CAP PACKAGING	PART NO. FOR TUBE WITH CAP PACKAGING	PART NO. FOR TAPE & REEL WITHOUT CAP PACKAGING	PART NO. FOR TAPE & REEL WITH CAP PACKAGING	CKT SIZE	VOID POSITION	PLATING TYPE	DIMENSION					
								A	B	F	M	P		
F	87914-4611	-----	-----	-----	-----	46	----	1	58.42	55.88	10.92	5.84	2.79	F
	87914-4621	-----	-----	-----	-----	46	----	1	58.42	55.88	12.25	7.00	2.96	
	87914-4612	-----	-----	-----	-----	46	----	2	58.42	55.88	10.92	5.84	2.79	
	87914-4622	-----	-----	-----	-----	46	----	2	58.42	55.88	12.25	7.00	2.96	
	87914-4613	-----	-----	-----	-----	46	----	3	58.42	55.88	10.92	5.84	2.79	
	87914-4623	-----	-----	-----	-----	46	----	3	58.42	55.88	12.25	7.00	2.96	
E	87914-4614	-----	-----	-----	-----	46	----	4	58.42	55.88	10.92	5.84	2.79	E
	87914-4624	-----	-----	-----	-----	46	----	4	58.42	55.88	12.25	7.00	2.96	
	87914-4615	-----	-----	-----	-----	46	----	5	58.42	55.88	10.92	5.84	2.79	
	87914-4625	-----	-----	-----	-----	46	----	5	58.42	55.88	12.25	7.00	2.96	
	87914-4616	-----	-----	-----	-----	46	----	6	58.42	55.88	10.92	5.84	2.79	
	87914-4626	-----	-----	-----	-----	46	----	6	58.42	55.88	12.25	7.00	2.96	
D														D
C														C
B														B

<b>PG8. +879140108</b> EC NO: S2010-0695 DRWN:ATSEE 2010/02/11 CHKD:PTLIM 2004/12/08 APPR:MLONG 2010/06/05 D7	QUALITY SYMBOLS $F_A=0$ $F_G=0$ $F_P=0$	GENERAL TOLERANCES (UNLESS SPECIFIED) <table border="1"> <tr> <th></th> <th>mm</th> <th>INCH</th> </tr> <tr> <td>4 PLACES</td> <td><math>\pm</math>---</td> <td><math>\pm</math>---</td> </tr> <tr> <td>3 PLACES</td> <td><math>\pm</math>---</td> <td><math>\pm</math>---</td> </tr> <tr> <td>2 PLACES</td> <td><math>\pm 0.20</math></td> <td><math>\pm</math>---</td> </tr> <tr> <td>1 PLACE</td> <td><math>\pm</math>---</td> <td><math>\pm</math>---</td> </tr> </table>		mm	INCH	4 PLACES	$\pm$ ---	$\pm$ ---	3 PLACES	$\pm$ ---	$\pm$ ---	2 PLACES	$\pm 0.20$	$\pm$ ---	1 PLACE	$\pm$ ---	$\pm$ ---	DIMENSION STYLE <b>MM ONLY</b>	SCALE <b>NTS</b>	DESIGN UNITS <b>METRIC</b>	<b>THIRD ANGLE PROJECTION</b>
		mm	INCH																		
	4 PLACES	$\pm$ ---	$\pm$ ---																		
	3 PLACES	$\pm$ ---	$\pm$ ---																		
2 PLACES	$\pm 0.20$	$\pm$ ---																			
1 PLACE	$\pm$ ---	$\pm$ ---																			
		DRAWN BY: KCHO CHECKED BY: PTLIM APPROVED BY: SCLOW	DATE: 2004/11/05 DATE: 2004/12/08 DATE: 2004/12/10	TITLE <b>2.54MM PITCH          DUAL ROW HEADER          SINGLE WAFER, T/H</b>																	
		MATERIAL NO.	<b>SEE TABLE</b>	<b>MOLEX INCORPORATED</b>																	
	DRAFT WHERE APPLICABLE MUST REMAIN WITHIN DIMENSIONS	SIZE <b>A3</b>	THIS DRAWING CONTAINS INFORMATION THAT IS PROPRIETARY TO MOLEX INCORPORATED AND SHOULD NOT BE USED WITHOUT WRITTEN PERMISSION																		

	10		9		8		7		6		5		4		3		2		1		
	PART NO FOR TRAY PACKAGING	PART NO. FOR TUBE WITHOUT CAP PACKAGING	PART NO. FOR TUBE WITH CAP PACKAGING	PART NO. FOR TAPE & REEL WITHOUT CAP PACKAGING	PART NO. FOR TAPE & REEL WITH CAP PACKAGING	CKT SIZE	VOID POSITION	PLATING TYPE	DIMENSION												
									A	B	F	M	P								
F	87914-4811	-----	-----	-----	-----	48	----	1	60.96	58.42	10.92	5.84	2.79								
	87914-4821	-----	-----	-----	-----	48	----	1	60.96	58.42	12.25	7.00	2.96								
	87914-4812	-----	-----	-----	-----	48	----	2	60.96	58.42	10.92	5.84	2.79								
	87914-4822	-----	-----	-----	-----	48	----	2	60.96	58.42	12.25	7.00	2.96								
	87914-4813	-----	-----	-----	-----	48	----	3	60.96	58.42	10.92	5.84	2.79								
	87914-4823	-----	-----	-----	-----	48	----	3	60.96	58.42	12.25	7.00	2.96								
E	87914-4814	-----	-----	-----	-----	48	----	4	60.96	58.42	10.92	5.84	2.79								
	87914-4824	-----	-----	-----	-----	48	----	4	60.96	58.42	12.25	7.00	2.96								
	87914-4815	-----	-----	-----	-----	48	----	5	60.96	58.42	10.92	5.84	2.79								
	87914-4825	-----	-----	-----	-----	48	----	5	60.96	58.42	12.25	7.00	2.96								
	87914-4816	-----	-----	-----	-----	48	----	6	60.96	58.42	10.92	5.84	2.79								
	87914-4826	-----	-----	-----	-----	48	----	6	60.96	58.42	12.25	7.00	2.96								
D																					
C																					
B																					

PG8. +879140108 EC NO: S2010-0695 DRWN:ATSEE 2010/02/11 CHKD:PTLIM 2004/12/08 APPR:MLONG 2010/06/05 D7	QUALITY SYMBOLS	GENERAL TOLERANCES (UNLESS SPECIFIED) <table border="1"> <tr> <td></td> <td>mm</td> <td>INCH</td> </tr> <tr> <td>4 PLACES</td> <td>± ---</td> <td>± ---</td> </tr> <tr> <td>3 PLACES</td> <td>± ---</td> <td>± ---</td> </tr> <tr> <td>2 PLACES</td> <td>± 0.20</td> <td>± ---</td> </tr> <tr> <td>1 PLACE</td> <td>± ---</td> <td>± ---</td> </tr> </table>		mm	INCH	4 PLACES	± ---	± ---	3 PLACES	± ---	± ---	2 PLACES	± 0.20	± ---	1 PLACE	± ---	± ---	DIMENSION STYLE	SCALE	DESIGN UNITS	THIRD ANGLE PROJECTION
			mm	INCH																	
	4 PLACES		± ---	± ---																	
	3 PLACES		± ---	± ---																	
	2 PLACES	± 0.20	± ---																		
1 PLACE	± ---	± ---																			
$F_A=0$ $F_G=0$ $F_P=0$	MM ONLY	NTS	METRIC																		
DRAFT WHERE APPLICABLE MUST REMAIN WITHIN DIMENSIONS	DIMENSION STYLE DRAWN BY: KCHO DATE: 2004/11/05 CHECKED BY: PTLIM DATE: 2004/12/08 APPROVED BY: SCLOW DATE: 2004/12/10 MATERIAL NO. SEE TABLE DOCUMENT NO. SD-87914-013	TITLE	2.54MM PITCH DUAL ROW HEADER SINGLE WAFER, T/H		MOLEX INCORPORATED																
	SIZE A3		SHEET NO. 30 OF 46																		





10	9	8	7	6	5	4	3	2	1			
PART NO FOR BULK PACKAGING	PART NO. FOR TUBE WITHOUT CAP PACKAGING	PART NO. FOR TUBE WITH CAP PACKAGING	PART NO. FOR TAPE & REEL WITHOUT CAP PACKAGING	PART NO. FOR TAPE & REEL WITH CAP PACKAGING	CKT SIZE	VOID POSITION	PLATING TYPE	DIMENSION				
								A	B	F	M	P
F	87914-5211	-----	-----	-----	52	-----	1	66.04	63.50	10.92	5.84	2.79
	87914-5221	-----	-----	-----	52	-----	1	66.04	63.50	12.25	7.00	2.96
	87914-5212	-----	-----	-----	52	-----	2	66.04	63.50	10.92	5.84	2.79
	87914-5222	-----	-----	-----	52	-----	2	66.04	63.50	12.25	7.00	2.96
	87914-5213	-----	-----	-----	52	-----	3	66.04	63.50	10.92	5.84	2.79
	87914-5223	-----	-----	-----	52	-----	3	66.04	63.50	12.25	7.00	2.96
E	87914-5214	-----	-----	-----	52	-----	4	66.04	63.50	10.92	5.84	2.79
	87914-5224	-----	-----	-----	52	-----	4	66.04	63.50	12.25	7.00	2.96
	87914-5215	-----	-----	-----	52	-----	5	66.04	63.50	10.92	5.84	2.79
	87914-5225	-----	-----	-----	52	-----	5	66.04	63.50	12.25	7.00	2.96
	87914-5216	-----	-----	-----	52	-----	6	66.04	63.50	10.92	5.84	2.79
	87914-5226	-----	-----	-----	52	-----	6	66.04	63.50	12.25	7.00	2.96
D												
C												
B												

<b>PG8, +879140108</b> EC NO: S2010-0695 DRWN:ATSEE 2010/02/11 CHKD:PTLIM 2004/12/08 APPR:MLONG 2010/06/05 D7	QUALITY SYMBOLS $F_A=0$ $F_G=0$ $F_P=0$	GENERAL TOLERANCES (UNLESS SPECIFIED) mm    INCH		DIMENSION STYLE <b>MM ONLY</b>		SCALE NTS	DESIGN UNITS METRIC	THIRD ANGLE PROJECTION
		4 PLACES ± --- ± --- 3 PLACES ± --- ± --- 2 PLACES ± 0.20 ± --- 1 PLACE ± --- ± ---	DRAWN BY KCHO DATE 2004/11/05	TITLE <b>2.54MM PITCH          DUAL ROW HEADER          SINGLE WAFER, T/H</b>				
		ANGULAR ± 3 °	CHECKED BY PTLIM DATE 2004/12/08	APPROVED BY SCLOW DATE 2004/12/10				
DRAFT WHERE APPLICABLE MUST REMAIN WITHIN DIMENSIONS		MATERIAL NO. <b>SEE TABLE</b>		DOCUMENT NO. <b>SD-87914-013</b>		SHEET NO. <b>32 OF 46</b>		
THIS DRAWING CONTAINS INFORMATION THAT IS PROPRIETARY TO MOLEX INCORPORATED AND SHOULD NOT BE USED WITHOUT WRITTEN PERMISSION								



	10	9	8	7	6	5	4	3	2	1			
	PART NO FOR BULK PACKAGING	PART NO. FOR TUBE WITHOUT CAP PACKAGING	PART NO. FOR TUBE WITH CAP PACKAGING	PART NO. FOR TAPE & REEL WITHOUT CAP PACKAGING	PART NO. FOR TAPE & REEL WITH CAP PACKAGING	CKT SIZE	VOID POSITION	PLATING TYPE	DIMENSION				
	A	B	F	M	P								
F	87914-5611	-----	-----	-----	-----	56	-----	1	71.12	68.58	10.92	5.84	2.79
	87914-5621	-----	-----	-----	-----	56	-----	1	71.12	68.58	12.25	7.00	2.96
	87914-5612	-----	-----	-----	-----	56	-----	2	71.12	68.58	10.92	5.84	2.79
	87914-5622	-----	-----	-----	-----	56	-----	2	71.12	68.58	12.25	7.00	2.96
	87914-5613	-----	-----	-----	-----	56	-----	3	71.12	68.58	10.92	5.84	2.79
	87914-5623	-----	-----	-----	-----	56	-----	3	71.12	68.58	12.25	7.00	2.96
E	87914-5614	-----	-----	-----	-----	56	-----	4	71.12	68.58	10.92	5.84	2.79
	87914-5624	-----	-----	-----	-----	56	-----	4	71.12	68.58	12.25	7.00	2.96
	87914-5615	-----	-----	-----	-----	56	-----	5	71.12	68.58	10.92	5.84	2.79
	87914-5625	-----	-----	-----	-----	56	-----	5	71.12	68.58	12.25	7.00	2.96
	87914-5616	-----	-----	-----	-----	56	-----	6	71.12	68.58	10.92	5.84	2.79
	87914-5626	-----	-----	-----	-----	56	-----	6	71.12	68.58	12.25	7.00	2.96
D													
C													
B													

<b>PG8, +879140108</b> EC NO: S2010-0695 DRWN:ATSEE 2010/02/11 CHKD:PTLIM 2004/12/08 APPR:MLONG 2010/06/05 REV DESCRIPTION	QUALITY SYMBOLS	GENERAL TOLERANCES (UNLESS SPECIFIED)	DIMENSION STYLE	SCALE	DESIGN UNITS	THIRD ANGLE PROJECTION	
	$F_A=0$	4 PLACES	MM ONLY	NTS	METRIC		
	$F_C=0$	3 PLACES	mm INCH	DRAWN BY DATE	TITLE		
	$F_P=0$	2 PLACES	± 0.20 ± ---	KCHO 2004/11/05	2.54MM PITCH DUAL ROW HEADER SINGLE WAFER, T/H		
		1 PLACE	± --- ± ---	PTLIM 2004/12/08	MOLEX INCORPORATED		
		ANGULAR ± 3 °	APPROVED BY DATE	DOCUMENT NO.			
			SLOW 2004/12/10	SD-87914-013			
		DRAFT WHERE APPLICABLE MUST REMAIN WITHIN DIMENSIONS	MATERIAL NO.	SHEET NO.			
			SEE TABLE	34 OF 46			
			SIZE THIS DRAWING CONTAINS INFORMATION THAT IS PROPRIETARY TO MOLEX INCORPORATED AND SHOULD NOT BE USED WITHOUT WRITTEN PERMISSION				



	10	9	8	7	6	5	4	3	2	1				
	PART NO. FOR BULK PACKAGING	PART NO. FOR TUBE WITHOUT CAP PACKAGING	PART NO. FOR TUBE WITH CAP PACKAGING	PART NO. FOR TAPE & REEL WITHOUT CAP PACKAGING	PART NO. FOR TAPE & REEL WITH CAP PACKAGING	CKT SIZE	VOID POSITION	PLATING TYPE	DIMENSION					
								A	B	F	M	P		
F	87914-6011	-----	-----	-----	-----	60	----	1	76.20	73.66	10.92	5.84	2.79	F
	87914-6021	-----	-----	-----	-----	60	----	1	76.20	73.66	12.25	7.00	2.96	
	87914-6012	-----	-----	-----	-----	60	----	2	76.20	73.66	10.92	5.84	2.79	
	87914-6022	-----	-----	-----	-----	60	----	2	76.20	73.66	12.25	7.00	2.96	
	87914-6013	-----	-----	-----	-----	60	----	3	76.20	73.66	10.92	5.84	2.79	
	87914-6023	-----	-----	-----	-----	60	----	3	76.20	73.66	12.25	7.00	2.96	
E	87914-6014	-----	-----	-----	-----	60	----	4	76.20	73.66	10.92	5.84	2.79	E
	87914-6024	-----	-----	-----	-----	60	----	4	76.20	73.66	12.25	7.00	2.96	
	87914-6015	-----	-----	-----	-----	60	----	5	76.20	73.66	10.92	5.84	2.79	
	87914-6025	-----	-----	-----	-----	60	----	5	76.20	73.66	12.25	7.00	2.96	
	87914-6016	-----	-----	-----	-----	60	----	6	76.20	73.66	10.92	5.84	2.79	
	87914-6026	-----	-----	-----	-----	60	----	6	76.20	73.66	12.25	7.00	2.96	
D														D
C														C
B														B

<b>PG8, +879140108</b> EC NO: S2010-0695 DRWN:ATSEE 2010/02/11 CHKD:PTLIM 2004/12/08 APPR:MLONG 2010/06/05 <b>D7</b>	QUALITY SYMBOLS $F_A=0$ $F_C=0$ $F_P=0$	GENERAL TOLERANCES (UNLESS SPECIFIED) <table border="1"> <tr> <td></td> <td>mm</td> <td>INCH</td> </tr> <tr> <td>4 PLACES</td> <td>± ---</td> <td>± ---</td> </tr> <tr> <td>3 PLACES</td> <td>± ---</td> <td>± ---</td> </tr> <tr> <td>2 PLACES</td> <td>± 0.20</td> <td>± ---</td> </tr> <tr> <td>1 PLACE</td> <td>± ---</td> <td>± ---</td> </tr> </table>		mm	INCH	4 PLACES	± ---	± ---	3 PLACES	± ---	± ---	2 PLACES	± 0.20	± ---	1 PLACE	± ---	± ---	DIMENSION STYLE <b>MM ONLY</b>	SCALE <b>NTS</b>	DESIGN UNITS <b>METRIC</b>	<b>THIRD ANGLE PROJECTION</b>
		mm	INCH																		
	4 PLACES	± ---	± ---																		
	3 PLACES	± ---	± ---																		
2 PLACES	± 0.20	± ---																			
1 PLACE	± ---	± ---																			
		DRAWN BY KCHO	DATE 2004/11/05	TITLE <b>2.54MM PITCH          DUAL ROW HEADER          SINGLE WAFER, T/H</b>																	
		CHECKED BY PTLIM	DATE 2004/12/08	<b>molex MOLEX INCORPORATED</b>																	
		APPROVED BY SCLOW	DATE 2004/12/10	MATERIAL NO. <b>SEE TABLE</b>	DOCUMENT NO. <b>SD-87914-013</b>	SHEET NO. <b>36 OF 46</b>															

	10	9	8	7	6	5	4	3	2	1			
	PART NO FOR BULK PACKAGING	PART NO. FOR TUBE WITHOUT CAP PACKAGING	PART NO. FOR TUBE WITH CAP PACKAGING	PART NO. FOR TAPE & REEL WITHOUT CAP PACKAGING	PART NO. FOR TAPE & REEL WITH CAP PACKAGING	CKT SIZE	VOID POSITION	PLATING TYPE	DIMENSION				
									A	B	F	M	P
F	87914-6211	-----	-----	-----	-----	62	----	1	78.74	76.20	10.92	5.84	2.79
	87914-6221	-----	-----	-----	-----	62	----	1	78.74	76.20	12.25	7.00	2.96
	87914-6212	-----	-----	-----	-----	62	----	2	78.74	76.20	10.92	5.84	2.79
	87914-6222	-----	-----	-----	-----	62	----	2	78.74	76.20	12.25	7.00	2.96
	87914-6213	-----	-----	-----	-----	62	----	3	78.74	76.20	10.92	5.84	2.79
	87914-6223	-----	-----	-----	-----	62	----	3	78.74	76.20	12.25	7.00	2.96
E	87914-6214	-----	-----	-----	-----	62	----	4	78.74	76.20	10.92	5.84	2.79
	87914-6224	-----	-----	-----	-----	62	----	4	78.74	76.20	12.25	7.00	2.96
	87914-6215	-----	-----	-----	-----	62	----	5	78.74	76.20	10.92	5.84	2.79
	87914-6225	-----	-----	-----	-----	62	----	5	78.74	76.20	12.25	7.00	2.96
	87914-6216	-----	-----	-----	-----	62	----	6	78.74	76.20	10.92	5.84	2.79
	87914-6226	-----	-----	-----	-----	62	----	6	78.74	76.20	12.25	7.00	2.96
D													
C													
B													

<b>PG8. +879140108</b> EC NO: S2010-0695 DRW:ATSEE 2010/02/11 CHKD:PTLIM 2004/12/08 APPR:MLONG 2010/06/05 <b>D7</b>	QUALITY SYMBOLS $F_A=0$ $F_G=0$ $F_P=0$	GENERAL TOLERANCES (UNLESS SPECIFIED) <table border="1"> <tr> <th></th> <th>mm</th> <th>INCH</th> </tr> <tr> <td>4 PLACES</td> <td>± ---</td> <td>± ---</td> </tr> <tr> <td>3 PLACES</td> <td>± ---</td> <td>± ---</td> </tr> <tr> <td>2 PLACES</td> <td>± 0.20</td> <td>± ---</td> </tr> <tr> <td>1 PLACE</td> <td>± ---</td> <td>± ---</td> </tr> </table>		mm	INCH	4 PLACES	± ---	± ---	3 PLACES	± ---	± ---	2 PLACES	± 0.20	± ---	1 PLACE	± ---	± ---	DIMENSION STYLE <b>MM ONLY</b> DRAWN BY: KCHO CHECKED BY: PTLIM APPROVED BY: SCLOW DATE: 2004/11/05 DATE: 2004/12/08 DATE: 2004/12/10	SCALE <b>NTS</b> DESIGN UNITS <b>METRIC</b> THIRD ANGLE PROJECTION	TITLE <b>2.54MM PITCH          DUAL ROW HEADER          SINGLE WAFER, T/H</b> <b>MOLEX INCORPORATED</b> DOCUMENT NO. <b>SD-87914-013</b>	SHEET NO. <b>37 OF 46</b>
		mm	INCH																		
	4 PLACES	± ---	± ---																		
	3 PLACES	± ---	± ---																		
2 PLACES	± 0.20	± ---																			
1 PLACE	± ---	± ---																			
DRAFT WHERE APPLICABLE MUST REMAIN WITHIN DIMENSIONS		MATERIAL NO. <b>SEE TABLE</b>	THIS DRAWING CONTAINS INFORMATION THAT IS PROPRIETARY TO MOLEX INCORPORATED AND SHOULD NOT BE USED WITHOUT WRITTEN PERMISSION																		
		SIZE <b>A3</b>																			

PART NO FOR BULK PACKAGING	PART NO. FOR TUBE WITHOUT CAP PACKAGING	PART NO. FOR TUBE WITH CAP PACKAGING	PART NO. FOR TAPE & REEL WITHOUT CAP PACKAGING	PART NO. FOR TAPE & REEL WITH CAP PACKAGING	CKT SIZE	VOID POSITION	PLATING TYPE	DIMENSION				
								A	B	F	M	P
F	87914-6411	-----	-----	-----	64	----	1	81.28	78.74	10.92	5.84	2.79
	87914-6421	-----	-----	-----	64	----	1	81.28	78.74	12.25	7.00	2.96
	87914-6412	-----	-----	-----	64	----	2	81.28	78.74	10.92	5.84	2.79
	87914-6422	-----	-----	-----	64	----	2	81.28	78.74	12.25	7.00	2.96
	87914-6413	-----	-----	-----	64	----	3	81.28	78.74	10.92	5.84	2.79
	87914-6423	-----	-----	-----	64	----	3	81.28	78.74	12.25	7.00	2.96
E	87914-6414	-----	-----	-----	64	----	4	81.28	78.74	10.92	5.84	2.79
	87914-6424	-----	-----	-----	64	----	4	81.28	78.74	12.25	7.00	2.96
	87914-6415	-----	-----	-----	64	----	5	81.28	78.74	10.92	5.84	2.79
	87914-6425	-----	-----	-----	64	----	5	81.28	78.74	12.25	7.00	2.96
	87914-6416	-----	-----	-----	64	----	6	81.28	78.74	10.92	5.84	2.79
	87914-6426	-----	-----	-----	64	----	6	81.28	78.74	12.25	7.00	2.96
D												
C												
B												

<b>PG8. +879140108</b> EC NO: S2010-0695 DRWN:ATSEE 2010/02/11 CHKD:PTLIM 2004/12/08 APPR:MLONG 2010/06/05	DESCRIPTION REV	QUALITY SYMBOLS	GENERAL TOLERANCES (UNLESS SPECIFIED)	DIMENSION STYLE	SCALE	DESIGN UNITS	THIRD ANGLE PROJECTION
		$F_{A'}=0$ $F_{C'}=0$ $F_{P'}=0$	mm INCH 4 PLACES ± --- ± --- 3 PLACES ± --- ± --- 2 PLACES ± 0.20 ± --- 1 PLACE ± --- ± --- ANGULAR ± 3 °	MM ONLY	NTS	METRIC	
			DRAFT WHERE APPLICABLE MUST REMAIN WITHIN DIMENSIONS	DRAWN BY DATE KCHO 2004/11/05 CHECKED BY DATE PTLIM 2004/12/08 APPROVED BY DATE SCLOW 2004/12/10	TITLE <b>2.54MM PITCH          DUAL ROW HEADER          SINGLE WAFER, T/H</b>		
		D7		MATERIAL NO. <b>SEE TABLE</b> SIZE <b>A3</b>	DOCUMENT NO. <b>SD-87914-013</b> <b>MOLEX INCORPORATED</b>	SHEET NO. <b>38 OF 46</b>	



	10	9	8	7	6	5	4	3	2	1			
	PART NO FOR BULK PACKAGING	PART NO. FOR TUBE WITHOUT CAP PACKAGING	PART NO. FOR TUBE WITH CAP PACKAGING	PART NO. FOR TAPE & REEL WITHOUT CAP PACKAGING	PART NO. FOR TAPE & REEL WITH CAP PACKAGING	CKT SIZE	VOID POSITION	PLATING TYPE	DIMENSION				
								A	B	F	M	P	
F	87914-6611	-----	-----	-----	-----	66	----	1	83.82	81.28	10.92	5.84	2.79
	87914-6621	-----	-----	-----	-----	66	----	1	83.82	81.28	12.25	7.00	2.96
	87914-6612	-----	-----	-----	-----	66	----	2	83.82	81.28	10.92	5.84	2.79
	87914-6622	-----	-----	-----	-----	66	----	2	83.82	81.28	12.25	7.00	2.96
	87914-6613	-----	-----	-----	-----	66	----	3	83.82	81.28	10.92	5.84	2.79
	87914-6623	-----	-----	-----	-----	66	----	3	83.82	81.28	12.25	7.00	2.96
E	87914-6614	-----	-----	-----	-----	66	----	4	83.82	81.28	10.92	5.84	2.79
	87914-6624	-----	-----	-----	-----	66	----	4	83.82	81.28	12.25	7.00	2.96
	87914-6615	-----	-----	-----	-----	66	----	5	83.82	81.28	10.92	5.84	2.79
	87914-6625	-----	-----	-----	-----	66	----	5	83.82	81.28	12.25	7.00	2.96
	87914-6616	-----	-----	-----	-----	66	----	6	83.82	81.28	10.92	5.84	2.79
	87914-6626	-----	-----	-----	-----	66	----	6	83.82	81.28	12.25	7.00	2.96
D													
C													
B													

<b>PG8. +879140108</b> EC NO: S2010-0695 DRWN:ATSEE 2010/02/11 CHKD:PTLIM 2004/12/08 APPR:MLONG 2010/06/05 <b>D7</b>	QUALITY SYMBOLS $F_A=0$ $F_G=0$ $F_P=0$	GENERAL TOLERANCES (UNLESS SPECIFIED) <table border="1"> <tr><th></th><th>mm</th><th>INCH</th></tr> <tr><td>4 PLACES</td><td>± ---</td><td>± ---</td></tr> <tr><td>3 PLACES</td><td>± ---</td><td>± ---</td></tr> <tr><td>2 PLACES</td><td>± 0.20</td><td>± ---</td></tr> <tr><td>1 PLACE</td><td>± ---</td><td>± ---</td></tr> </table>		mm	INCH	4 PLACES	± ---	± ---	3 PLACES	± ---	± ---	2 PLACES	± 0.20	± ---	1 PLACE	± ---	± ---	DIMENSION STYLE <b>MM ONLY</b>	SCALE <b>NTS</b>	DESIGN UNITS <b>METRIC</b>	THIRD ANGLE PROJECTION
		mm	INCH																		
	4 PLACES	± ---	± ---																		
	3 PLACES	± ---	± ---																		
2 PLACES	± 0.20	± ---																			
1 PLACE	± ---	± ---																			
DRAWN BY KCHO	DATE 2004/11/05	TITLE <b>2.54MM PITCH DUAL ROW HEADER SINGLE WAFER, T/H</b>																			
CHECKED BY PTLIM	DATE 2004/12/08	<b>MOLEX INCORPORATED</b>																			
APPROVED BY SCLOW	DATE 2004/12/10	MATERIAL NO. <b>SEE TABLE</b>																			
DRAFT WHERE APPLICABLE MUST REMAIN WITHIN DIMENSIONS	SIZE <b>A3</b>	THIS DRAWING CONTAINS INFORMATION THAT IS PROPRIETARY TO MOLEX INCORPORATED AND SHOULD NOT BE USED WITHOUT WRITTEN PERMISSION																			





PART NO FOR BULK PACKAGING	PART NO. FOR TUBE WITHOUT CAP PACKAGING	PART NO. FOR TUBE WITH CAP PACKAGING	PART NO. FOR TAPE & REEL WITHOUT CAP PACKAGING	PART NO. FOR TAPE & REEL WITH CAP PACKAGING	CKT SIZE	VOID POSITION	PLATING TYPE	DIMENSION				
								A	B	F	M	P
								87914-7211	-----	-----	-----	-----
87914-7221	-----	-----	-----	-----	72	----	1	91.44	88.90	12.25	7.00	2.96
87914-7212	-----	-----	-----	-----	72	----	2	91.44	88.90	10.92	5.84	2.79
87914-7222	-----	-----	-----	-----	72	----	2	91.44	88.90	12.25	7.00	2.96
87914-7213	-----	-----	-----	-----	72	----	3	91.44	88.90	10.92	5.84	2.79
87914-7223	-----	-----	-----	-----	72	----	3	91.44	88.90	12.25	7.00	2.96
87914-7214	-----	-----	-----	-----	72	----	4	91.44	88.90	10.92	5.84	2.79
87914-7224	-----	-----	-----	-----	72	----	4	91.44	88.90	12.25	7.00	2.96
87914-7215	-----	-----	-----	-----	72	----	5	91.44	88.90	10.92	5.84	2.79
87914-7225	-----	-----	-----	-----	72	----	5	91.44	88.90	12.25	7.00	2.96
87914-7216	-----	-----	-----	-----	72	----	6	91.44	88.90	10.92	5.84	2.79
87914-7226	-----	-----	-----	-----	72	----	6	91.44	88.90	12.25	7.00	2.96

<b>PG8. +879140108</b> EC NO: S2010-0695 DRWN:ATSEE 2010/02/11 CHKD:PTLIM 2004/12/08 APPR:MLONG 2010/06/05 D7	QUALITY SYMBOLS $F_A=0$ $F_G=0$ $F_P=0$	GENERAL TOLERANCES (UNLESS SPECIFIED) <table border="1"> <tr> <th></th> <th>mm</th> <th>INCH</th> </tr> <tr> <td>4 PLACES</td> <td>± ---</td> <td>± ---</td> </tr> <tr> <td>3 PLACES</td> <td>± ---</td> <td>± ---</td> </tr> <tr> <td>2 PLACES</td> <td>± 0.20</td> <td>± ---</td> </tr> <tr> <td>1 PLACE</td> <td>± ---</td> <td>± ---</td> </tr> </table>		mm	INCH	4 PLACES	± ---	± ---	3 PLACES	± ---	± ---	2 PLACES	± 0.20	± ---	1 PLACE	± ---	± ---	DIMENSION STYLE <b>MM ONLY</b>	SCALE <b>NTS</b>	DESIGN UNITS <b>METRIC</b>	THIRD ANGLE PROJECTION
		mm	INCH																		
	4 PLACES	± ---	± ---																		
	3 PLACES	± ---	± ---																		
2 PLACES	± 0.20	± ---																			
1 PLACE	± ---	± ---																			
DRAWN BY KCHO	DATE 2004/11/05	TITLE <b>2.54MM PITCH          DUAL ROW HEADER          SINGLE WAFER, T/H</b>																			
CHECKED BY PTLIM	DATE 2004/12/08	<b>MOLEX INCORPORATED</b>																			
APPROVED BY SCLOW	DATE 2004/12/10	MATERIAL NO. <b>SEE TABLE</b>	DOCUMENT NO. <b>SD-87914-013</b>	SHEET NO. <b>42 OF 46</b>																	



PART NO FOR BULK PACKAGING	PART NO. FOR TUBE WITHOUT CAP PACKAGING	PART NO. FOR TUBE WITH CAP PACKAGING	PART NO. FOR TAPE & REEL WITHOUT CAP PACKAGING	PART NO. FOR TAPE & REEL WITH CAP PACKAGING	CKT SIZE	VOID POSITION	PLATING TYPE	DIMENSION				
								A	B	C	D	E
								F	87914-7611	-----	-----	-----
	87914-7621	-----	-----	-----	76	----	1	96.52	93.98	12.25	7.00	2.96
	87914-7612	-----	-----	-----	76	----	2	96.52	93.98	10.92	5.84	2.79
	87914-7622	-----	-----	-----	76	----	2	96.52	93.98	12.25	7.00	2.96
	87914-7613	-----	-----	-----	76	----	3	96.52	93.98	10.92	5.84	2.79
	87914-7623	-----	-----	-----	76	----	3	96.52	93.98	12.25	7.00	2.96
E	87914-7614	-----	-----	-----	76	----	4	96.52	93.98	10.92	5.84	2.79
	87914-7624	-----	-----	-----	76	----	4	96.52	93.98	12.25	7.00	2.96
	87914-7615	-----	-----	-----	76	----	5	96.52	93.98	10.92	5.84	2.79
	87914-7625	-----	-----	-----	76	----	5	96.52	93.98	12.25	7.00	2.96
	87914-7616	-----	-----	-----	76	----	6	96.52	93.98	10.92	5.84	2.79
	87914-7626	-----	-----	-----	76	----	6	96.52	93.98	12.25	7.00	2.96
D												
C												
B												

<b>PG8. +879140108</b> EC NO: S2010-0695 DRWN:ATSEE 2010/02/11 CHKD:PTLIM 2004/12/08 APPR:MLONG 2010/06/05 D7 REV	QUALITY SYMBOLS	GENERAL TOLERANCES (UNLESS SPECIFIED)	DIMENSION STYLE	SCALE	DESIGN UNITS	THIRD ANGLE PROJECTION
	$F_A=0$	mm INCH	MM ONLY	NTS	METRIC	
	$F_C=0$	4 PLACES $\pm$ --- $\pm$ ---	DRAWN BY DATE			TITLE
	$F_B=0$	3 PLACES $\pm$ --- $\pm$ ---	KCHO 2004/11/05			2.54MM PITCH
		2 PLACES $\pm$ 0.20 $\pm$ ---	CHECKED BY DATE			DUAL ROW HEADER
	1 PLACE $\pm$ --- $\pm$ ---	PTLIM 2004/12/08			SINGLE WAFER, T/H	
	ANGULAR $\pm$ 3 °	APPROVED BY DATE			MOLEX INCORPORATED	
	DRAFT WHERE APPLICABLE MUST REMAIN WITHIN DIMENSIONS	SCLOW 2004/12/10			DOCUMENT NO.	
		MATERIAL NO.			SD-87914-013	
		SEE TABLE			SHEET NO.	
		SIZE A3	THIS DRAWING CONTAINS INFORMATION THAT IS PROPRIETARY TO MOLEX INCORPORATED AND SHOULD NOT BE USED WITHOUT WRITTEN PERMISSION			44 OF 46



	10	9	8	7	6	5	4	3	2	1			
	PART NO FOR BULK PACKAGING	PART NO. FOR TUBE WITHOUT CAP PACKAGING	PART NO. FOR TUBE WITH CAP PACKAGING	PART NO. FOR TAPE & REEL WITHOUT CAP PACKAGING	PART NO. FOR TAPE & REEL WITH CAP PACKAGING	CKT SIZE	VOID POSITION	PLATING TYPE	DIMENSION				
									A	B	F	M	P
F	87914-8011	-----	-----	-----	-----	80	-----	1	101.60	99.06	10.92	5.84	2.79
	87914-8021	-----	-----	-----	-----	80	-----	1	101.60	99.06	12.25	7.00	2.96
	87914-8012	-----	-----	-----	-----	80	-----	2	101.60	99.06	10.92	5.84	2.79
	87914-8022	-----	-----	-----	-----	80	-----	2	101.60	99.06	12.25	7.00	2.96
	87914-8013	-----	-----	-----	-----	80	-----	3	101.60	99.06	10.92	5.84	2.79
	87914-8023	-----	-----	-----	-----	80	-----	3	101.60	99.06	12.25	7.00	2.96
E	87914-8014	-----	-----	-----	-----	80	-----	4	101.60	99.06	10.92	5.84	2.79
	87914-8024	-----	-----	-----	-----	80	-----	4	101.60	99.06	12.25	7.00	2.96
	87914-8015	-----	-----	-----	-----	80	-----	5	101.60	99.06	10.92	5.84	2.79
	87914-8025	-----	-----	-----	-----	80	-----	5	101.60	99.06	12.25	7.00	2.96
	87914-8016	-----	-----	-----	-----	80	-----	6	101.60	99.06	10.92	5.84	2.79
	87914-8026	-----	-----	-----	-----	80	-----	6	101.60	99.06	12.25	7.00	2.96
D													
C													
B													

<b>PG8. +879140108</b> EC NO: S2010-0695 DRWN:ATSEE 2010/02/11 CHKD:PTLIM 2004/12/08 APPR:MLONG 2010/06/05 REV D7	QUALITY SYMBOLS	GENERAL TOLERANCES (UNLESS SPECIFIED)	DIMENSION STYLE	SCALE	DESIGN UNITS	THIRD ANGLE PROJECTION	
	$F_A=0$		MM ONLY	NTS	METRIC		
	$F_G=0$		mm INCH	DRAWN BY	DATE	TITLE	
	$F_P=0$		4 PLACES ± --- ± ---	KCHO	2004/11/05	2.54MM PITCH DUAL ROW HEADER SINGLE WAFER, T/H	
			3 PLACES ± --- ± ---	CHECKED BY	DATE		MOLEX INCORPORATED
		2 PLACES ± 0.20 ± ---	PTLIM	2004/12/08	MATERIAL NO. SD-87914-013 SHEET NO. 46 OF 46		
		1 PLACE ± --- ± ---	APPROVED BY	DATE			
		ANGULAR ± 3 °	SCLOW	2004/12/10	SEE TABLE	THIS DRAWING CONTAINS INFORMATION THAT IS PROPRIETARY TO MOLEX INCORPORATED AND SHOULD NOT BE USED WITHOUT WRITTEN PERMISSION	