

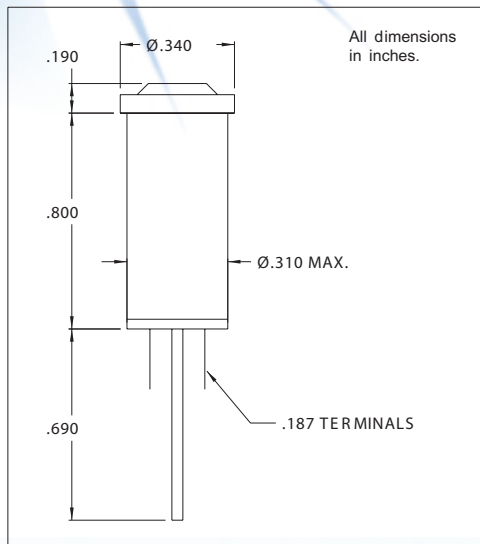
WORLDWIDE



2195QA Series Non-Relampable Incandescent Indicator Lights

2195QA Series Non-Relampable Incandescent Indicator Lights

DESCRIPTION AND FEATURES



Mounting: Ø.310 MIN., supplied with push-on speednut SN1287.

Terminals: Quick-connect, tinned brass

Lens: Polycarbonate

Bezel: White nylon. For black finish add "X" after the series letter(s).

Housing: White Nylon

Lens Color	Incandescent	
	Model No. 12V	Model No. 28V
Red	2195QA1-12V	2195QA1-28V
Amber	2195QA3-12V	2195QA3-28V
White	2195QA4-12V	2195QA4-28V
Green	2195QA5-12V	2195QA5-28V
Lamp	#2162	#2187

Underwriters Laboratories (UL) File No. E20325
Canadian Standards Association (CSA) File No. LR13346

Chicago Miniature Lamp reserves the right to make specification revisions that enhance the design and/or performance of the product



America:
CML Innovative Technologies, Inc.
147 Central Avenue
Hackensack, NJ 07601 -USA
Tel: 1-201-489-8989
Fax: 1-201-489-6911
e-mail: americas@cml-it.com

Europe:
CML Technologies GmbH & Co. KG
Robert-Bunsen-Str. 1
67098 Bad Dürkheim - GERMANY
Tel: +49 (0)6322 9567-0
Fax: +49 (0)6322 9567-88
e-mail: europe@cml-it.com

Asia:
CML Innovative Technologies, Inc.
61 Aida Street
Singapore 459975
Tel: (65)9630-5003
e-mail: asia@cml-it.com

CML-IT reserves the right to make specification revisions that enhance the design and/or performance of the product