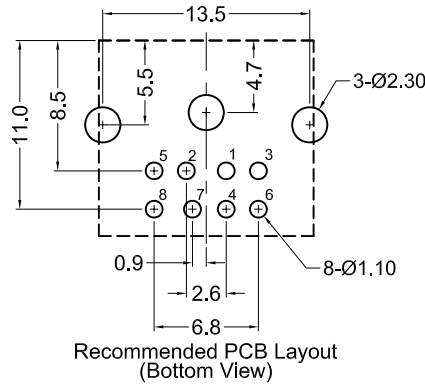
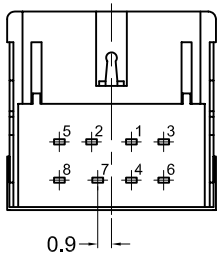
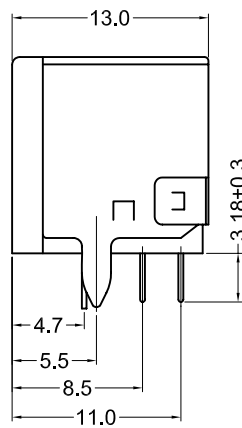


KMDGX-8S-AS  
(8 position)



Recommended PCB Layout  
(Bottom View)

**Material and Finish**

Body: PBT Thermoplastic,  
UL94V-0 Rated, Black  
Contacts: Copper Alloy  
Gold Flash Plated on contact Area,  
Tin on Termination,  
all over Nickel Underplate  
Shield: SPCC, Nickel Plated

**Electrical Characteristics**

Contact Resistance:  
Before Test:  
Plug to Terminals: 30 Milliohms Max.  
After Test:  
Plug to Terminals: 60 Milliohms Max.  
Insulation Resistance:  
500 Megohms Min. at 500 VDC  
Dielectric Withstanding Voltage:  
500V AC RMS For 1 Minute  
Current Rating:  
1 Amp at 12V DC Max.

**Mechanical Characteristics**

Durability Test: 500 Cycles Min.  
Insertion Force: 4.5kg max.  
Extraction Force: 0.4kg - 3.5kg  
Operating Temperature: -25°C to +85°C

Top View	Bottom View	Top View	Bottom View	Top View	Bottom View	Top View	Bottom View	Top View	Bottom View
KMDGX-3S-AS (3 position)	KMDGX-4S-AS (4 position)	KMDGX-5S-AS (5 position)	KMDGX-6S-AS (6 position)	KMDGX-7S-AS (7 position)					

Recommended PCB Layouts (Bottom View)

**RoHS COMPLIANT**  
EU Directive 2002/95/EC

**Tolerances**  
X.X ± 0.25  
X.XX ± 0.15  
Unless Stated  
Otherwise



REV.	DATE	DESCRIPTION	REV. BY	CHK. BY	DRAWN BY	DATE
A0	3/22/05	New Drawing	H. MA	C. Furumasu	H. MA	3/22/05
A1	8/4/05	New Drawing	H. MA	N/A		
B1	11/29/05	ECO #05-065	R. Aguirre	H. MA		
B2	12/7/05	ECO #05-068	H. MA	C. Furumasu		
C1	08/27/08	ECO #08-065	S. Vien	H. MA		
C2	02/11/10	Release Drawing	S. Vien	H. MA		

**KMDGX-xS-AS**

Circular Mini-DIN, Gold Flash Contacts, RoHS Compliant

4-Side Shield, Boardlock Center Ground Tab

