

**PLEASE CHECK WWW.MOLEX.COM FOR LATEST PART INFORMATION**

**Part Number:** **0039281083**  
**Status:** **Active**  
**Overview:** [minifit\\_jr](#)  
**Description:** 4.20mm (.165") Pitch Mini-Fit Jr.™ Header, Dual Row, Vertical, without Snap-in Plastic Peg PCB Lock, 8 Circuits, PA Polyamide Nylon 6/6 94V-2, Tin (Sn) Plating, without Drain Holes

**Documents:**

[3D Model](#)  
[Drawing \(PDF\)](#)

[RoHS Certificate of Compliance \(PDF\)](#)

**Agency Certification**

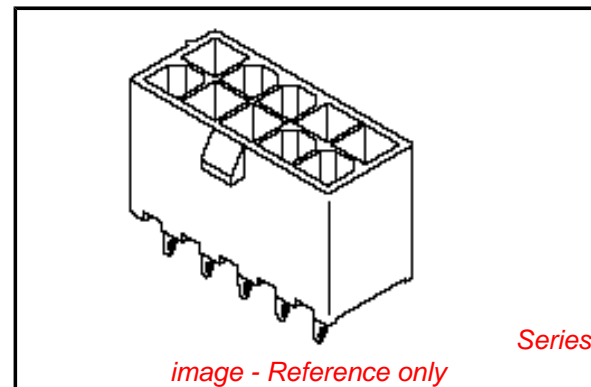
|     |           |
|-----|-----------|
| CSA | LR19980   |
| TUV | R72081037 |
| UL  | E29179    |

**General**

|                |  |
|----------------|--|
| Product Family | PCB Headers  |
| Series         | <a href="#">5566</a>   |
| Application    | Wire-to-Board  |
| Comments       | Current = 13A max. per circuit when header is mated to a receptacle loaded with <a href="#">45750</a> Mini-Fit Plus HCS™ Crimp Terminal Crimped to to 16 AWG wire. . See Molex product specification PS-45750-001 for additional current de-rating information.. High Temperature, Square Pin, Solder Type |
| MolexKits      | Yes  |
| Overview       | <a href="#">minifit_jr</a>   |
| Product Name   | Mini-Fit Jr.™  |

**Physical**

|                                |          |
|--------------------------------|----------|
| Breakaway                      | No       |
| Circuits (Loaded)              | 8        |
| Circuits (maximum)             | 8        |
| Color - Resin                  | Natural  |
| Durability (mating cycles max) | 30       |
| First Mate / Last Break        | No       |
| Flammability                   | 94V-2    |
| Glow-Wire Compliant            | No       |
| Guide to Mating Part           | No       |
| Keying to Mating Part          | None     |
| Lock to Mating Part            | Yes      |
| Material - Metal               | Brass    |
| Material - Plating Mating      | Tin      |
| Material - Plating Termination | Tin      |
| Material - Resin               | Nylon    |
| Number of Rows                 | 2        |
| Orientation                    | Vertical |
| PC Tail Length (in)            | 0.138 In |
| PC Tail Length (mm)            | 3.50 mm  |
| PCB Locator                    | Yes      |
| PCB Retention                  | None     |
| PCB Thickness Recommended (in) | 0.062 In |
| PCB Thickness Recommended (mm) | 1.60 mm  |
| Packaging Type                 | Bag      |
| Pitch - Mating Interface (in)  | 0.165 In |



**EU RoHS**

**ELV and RoHS Compliant**  
**REACH SVHC Contains SVHC: No**  
**Halogen-Free Status**  
**Halogen-Free**

**China RoHS**



**Need more information on product environmental compliance?**

Email [productcompliance@molex.com](mailto:productcompliance@molex.com)  
 For a multiple part number RoHS Certificate of Compliance, [click here](#)

Please visit the [Contact Us](#) section for any non-product compliance questions.

**Search Parts in this Series**

[5566Series](#)

**Mates With**

[5557](#) Mini-Fit Jr.™ Receptacle Housing

|                                |                 |
|--------------------------------|-----------------|
| Pitch - Mating Interface (mm)  | 4.20 mm         |
| Pitch - Term. Interface (in)   | 0.165 In        |
| Pitch - Term. Interface (mm)   | 4.20 mm         |
| Plating min: Mating (µin)      | 35              |
| Plating min: Mating (µm)       | 0.90            |
| Plating min: Termination (µin) | 100             |
| Plating min: Termination (µm)  | 2.50            |
| Polarized to Mating Part       | Yes             |
| Polarized to PCB               | Yes             |
| Shrouded                       | Fully           |
| Stackable                      | No              |
| Surface Mount Compatible (SMC) | No              |
| Temperature Range - Operating  | -40°C to +105°C |
| Termination Interface: Style   | Through Hole    |

### **Electrical**

|                               |      |
|-------------------------------|------|
| Current - Maximum per Contact | 13A  |
| Voltage - Maximum             | 600V |

### **Material Info**

|                 |          |
|-----------------|----------|
| Old Part Number | 5566-08A |
|-----------------|----------|

### **Reference - Drawing Numbers**

|                         |                             |
|-------------------------|-----------------------------|
| Packaging Specification | PK-5566, SPK-5566-002       |
| Sales Drawing           | SD-5566-002, SD-5566-NA**-* |

This document was generated on 06/08/2010

**PLEASE CHECK [WWW.MOLEX.COM](http://WWW.MOLEX.COM) FOR LATEST PART INFORMATION**

| CIRCUIT SIZE | DIM. "A"       | DIM. "B"       |
|--------------|----------------|----------------|
| 2            | .21<br>(5.4)   | —              |
| 4            | .38<br>(9.6)   | .17<br>(4.2)   |
| 6            | .54<br>(13.8)  | .33<br>(8.4)   |
| 8            | .71<br>(18.0)  | .50<br>(12.6)  |
| 10           | .87<br>(22.2)  | .66<br>(16.8)  |
| 12           | 1.04<br>(26.4) | .83<br>(21.0)  |
| 14           | 1.20<br>(30.6) | .99<br>(25.2)  |
| 16           | 1.37<br>(34.8) | 1.16<br>(29.4) |
| 18           | 1.54<br>(39.0) | 1.32<br>(33.6) |
| 20           | 1.70<br>(43.2) | 1.49<br>(37.8) |
| 22           | 1.87<br>(47.4) | 1.65<br>(42.0) |
| 24           | 2.03<br>(51.6) | 1.82<br>(46.2) |

**LEGEND**

BASE NUMBER 5566 - N \* \* \* \* - \* \* \*

CIRCUIT SIZE \_\_\_\_\_

ASS'Y TYPE \_\_\_\_\_

A : WITHOUT DRAIN HOLES  
B : WITH DRAIN HOLES

TERMINAL MATERIAL \_\_\_\_\_  
SEE NOTE 1

TERMINAL PLATING \_\_\_\_\_  
SEE NOTE 2

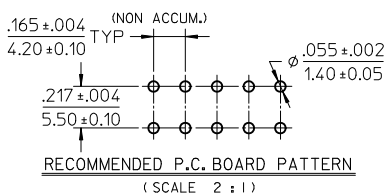
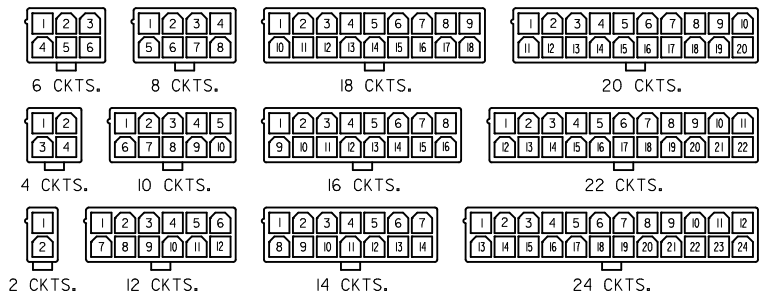
HOUSING MATERIAL \_\_\_\_\_  
SEE NOTE 1

COLOR OR PACKAGING \_\_\_\_\_

BL : BLACK RE : RED GR : GRAY  
BU : BLUE YE : YELLOW GRE : GREEN  
TA : TRAY PACKAGING SEE NOTE 4

**NOTES:**


- MATERIALS:**  
HOUSING:  
"BLANK"=NYLON 6/6, UL94V-2, COLOR: NATURAL  
"210"=NYLON 6/6, UL94V-0, COLOR: NATURAL  
"400"=NYLON 6/6, UL94V-0, COLOR: BLACK  
TERMINALS:  
"BLANK" = BRASS  
"PB" = PHOSPHOR BRONZE
- TERMINAL PLATING:**  
"BLANK" = BRIGHT TIN 000035/(0.00090) MIN.  
OVER COPPER .000020/(0.00050) MIN. (BRASS)  
TIN .000035/(0.00090) MIN. REFLOW TREATMENT  
OR BRIGHT TIN .000035/(0.00090) MIN. (PHOSPHOR BRONZE)  
"S"=.000100/(0.00254) MIN. BRIGHT TIN OVER  
.000050/(0.00127) MIN NICKEL  
"GS2"=.000015/(0.00038) MIN. SELECT GOLD AND  
.000100/(0.00254) MIN. SELECT MATTE TIN  
OVER .000050/(0.00127) MIN. NICKEL OVERALL  
"GS"=.000030/(0.00076) MIN. SELECT GOLD AND  
.000100/(0.00254) MIN. SELECT MATTE TIN  
OVER .000050/(0.00127) MIN. NICKEL OVERALL
- PRODUCT SPECIFICATION:** PS-5556-001
- PACKAGING:** "BLANK"= BULK PACKED, "TA"=TRAY PACK PER PK-5566-001
- PART MATES WITH MINI-FIT JR. RECEPTACLE NO. 5557.
- PART IS NOT DESIGNED FOR CURRENT SHARING.
- PARTS ARE NOT DESIGNED TO BE MATED OR UN-MATED WHILE CIRCUITS ARE LIVE.
- ANTI-SHINGLING RIB MAY OR MAY NOT APPEAR ON HOUSINGS.
- PART CONFORMS TO CLASS "B" REQUIREMENTS OF COSMETIC SPECIFICATION PS-45499-002.



|  |                                      |                                       |                       |                            |                   |  |                        |  |  |
|--|--------------------------------------|---------------------------------------|-----------------------|----------------------------|-------------------|--|------------------------|--|--|
| CORRECTED PN<br>EC NO: UCP2010-2614<br>DRAWN: JAGUILAR 2010/04/09<br>CHKD: J.BELL '94/04/20<br>APPR: FSMITH 2010/04/14 | QUALITY SYMBOLS<br>▽=0<br>▽=0<br>▽=0 | GENERAL TOLERANCES (UNLESS SPECIFIED) |                       | DIMENSION STYLE<br>IN/MM   |                   | SCALE<br>4:1   | DESIGN UNITS<br>METRIC | THIRD ANGLE PROJECTION   |  |
|  |                                      | mm                                    | INCH                  | DRAWN BY<br>H.HIRAMOTO     | DATE<br>'89/04/03 | TITLE<br>NEW MINI FIT CONNECTOR<br>HEADER HOUSING ASS'Y<br>-LEAD FREE- |                        |  |  |
| L3   | DESCRIPTION                          | 4 PLACES ± --- ± ---                  | 3 PLACES ± --- ± .005 | CHECKED BY<br>M.FUKUSHIMA  | DATE<br>'94/04/20 | MOLEX INCORPORATED<br>DOCUMENT NO.<br>SD-5566-002                      |                        |  |  |
|  |                                      | 2 PLACES ± .13 ± .010                 | 1 PLACE ± .25 ± ---   | APPROVED BY<br>M.FUKUSHIMA | DATE<br>'94/04/20 |  |                        |  |  |
| DRAFT WHERE APPLICABLE<br>MUST REMAIN<br>WITHIN DIMENSIONS   |                                      | ANGULAR ± 3 °                         |                       | SEE TABLE                  |                   | SHEET NO.<br>1 OF 6  |                        | THIS DRAWING CONTAINS INFORMATION THAT IS PROPRIETARY TO MOLEX<br>INCORPORATED AND SHOULD NOT BE USED WITHOUT WRITTEN PERMISSION |  |

|               | 10             | 9              | 8               | 7               | 6              | 5              | 4             | 3             | 2            | 1            |    |
|---------------|----------------|----------------|-----------------|-----------------|----------------|----------------|---------------|---------------|--------------|--------------|----|
| F             | 39-29-5247     | 5566-24APB-210 | 39-30-9245      | 5566-24AGS2-210 | 39-29-6248     | 5566-24AGS-210 | 39-30-6242    | 5566-24AS-210 | 39-28-8240   | 5566-24A-210 | 24 |
|               | ▲ -5227        | ▲ -22APB-210   | ▲ -9225         | ▲ -22AGS2-210   | ▲ -6228        | ▲ -22AGS-210   | ▲ -6222       | ▲ -22AS-210   | ▲ -8220      | ▲ -22A-210   | 22 |
|               | -5207          | -20APB-210     | -9205           | -20AGS2-210     | -6208          | -20AGS-210     | -6202         | -20AS-210     | -8200        | -20A-210     | 20 |
|               | -5187          | -18APB-210     | -9185           | -18AGS2-210     | -6188          | -18AGS-210     | -6182         | -18AS-210     | -8180        | -18A-210     | 18 |
|               | -5167          | -16APB-210     | -9165           | -16AGS2-210     | -6168          | -16AGS-210     | -6162         | -16AS-210     | -8160        | -16A-210     | 16 |
|               | -5147          | -14APB-210     | -9145           | -14AGS2-210     | -6148          | -14AGS-210     | -6142         | -14AS-210     | -8140        | -14A-210     | 14 |
|               | -5127          | -12APB-210     | -9125           | -12AGS2-210     | -6128          | -12AGS-210     | -6122         | -12AS-210     | -8120        | -12A-210     | 12 |
|               | -5107          | -10APB-210     | -9105           | -10AGS2-210     | -6108          | -10AGS-210     | -6102         | -10AS-210     | -8100        | -10A-210     | 10 |
|               | -5087          | -08APB-210     | -9085           | -08AGS2-210     | -6088          | -08AGS-210     | -6082         | -08AS-210     | -8080        | -08A-210     | 8  |
|               | -5067          | -06APB-210     | -9065           | -06AGS2-210     | -6068          | -06AGS-210     | -6062         | -06AS-210     | -8060        | -06A-210     | 6  |
| ▼ -5047       | ▼ -04APB-210   | ▼ -9045        | ▼ -04AGS2-210   | ▼ -6048         | ▼ -04AGS-210   | ▼ -6042        | ▼ -04AS-210   | ▼ -8040       | ▼ -04A-210   | 4            |    |
| 39-29-5027    | 5566-02APB-210 | 39-30-9025     | 5566-02AGS2-210 | 39-29-6028      | 5566-02AGS-210 | 39-30-6022     | 5566-02AS-210 | 39-28-8020    | 5566-02A-210 | 2            |    |
| EDP NO.       | ENG. NO.       | EDP NO.        | ENG. NO.        | EDP NO.         | ENG. NO.       | EDP NO.        | ENG. NO.      | EDP NO.       | ENG. NO.     | CKT. SIZE    |    |
| 5566-NAPB-210 |                | 5566-NAGS2-210 |                 | 5566-NAGS-210   |                | 5566-NAS-210   |               | 5566-NA-210   |              |              |    |
| 39-29-5246    | 5566-24APB     | 39-30-9244     | 5566-24AGS2     | 39-29-0243      | 5566-24AGS     | 39-30-6241     | 5566-24AS     | 39-28-1243    | 5566-24A     | 24           |    |
| ▲ -5226       | ▲ -22APB       | ▲ -9224        | ▲ -22AGS2       | ▲ -0223         | ▲ -22AGS       | ▲ -6221        | ▲ -22AS       | ▲ -1223       | ▲ -22A       | 22           |    |
| -5206         | -20APB         | -9204          | -20AGS2         | -0203           | -20AGS         | -6201          | -20AS         | -1203         | -20A         | 20           |    |
| -5186         | -18APB         | -9184          | -18AGS2         | -0183           | -18AGS         | -6181          | -18AS         | -1183         | -18A         | 18           |    |
| -5166         | -16APB         | -9164          | -16AGS2         | -0163           | -16AGS         | -6161          | -16AS         | -1163         | -16A         | 16           |    |
| -5146         | -14APB         | -9144          | -14AGS2         | -0143           | -14AGS         | -6141          | -14AS         | -1143         | -14A         | 14           |    |
| -5126         | -12APB         | -9124          | -12AGS2         | -0123           | -12AGS         | -6121          | -12AS         | -1123         | -12A         | 12           |    |
| -5106         | -10APB         | -9104          | -10AGS2         | -0103           | -10AGS         | -6101          | -10AS         | -1103         | -10A         | 10           |    |
| -5086         | -08APB         | -9084          | -08AGS2         | -0083           | -08AGS         | -6081          | -08AS         | -1083         | -08A         | 8            |    |
| -5066         | -06APB         | -9064          | -06AGS2         | -0063           | -06AGS         | -6061          | -06AS         | -1063         | -06A         | 6            |    |
| ▼ -5046       | ▼ -04APB       | ▼ -9044        | ▼ -04AGS2       | ▼ -0043         | ▼ -04AGS       | ▼ -6041        | ▼ -04AS       | ▼ -1043       | ▼ -04A       | 4            |    |
| 39-29-5026    | 5566-02APB     | 39-30-9024     | 5566-02AGS2     | 39-29-0023      | 5566-02AGS     | 39-30-6021     | 5566-02AS     | 39-28-1023    | 5566-02A     | 2            |    |
| EDP NO.       | ENG. NO.       | EDP NO.        | ENG. NO.        | EDP NO.         | ENG. NO.       | EDP NO.        | ENG. NO.      | EDP NO.       | ENG. NO.     | CKT. SIZE    |    |
| 5566-NAPB     |                | 5566-NAGS2     |                 | 5566-NAGS       |                | 5566-NAS       |               | 5566-NA       |              |              |    |

PARTS WITH OUT DRAIN HOLES

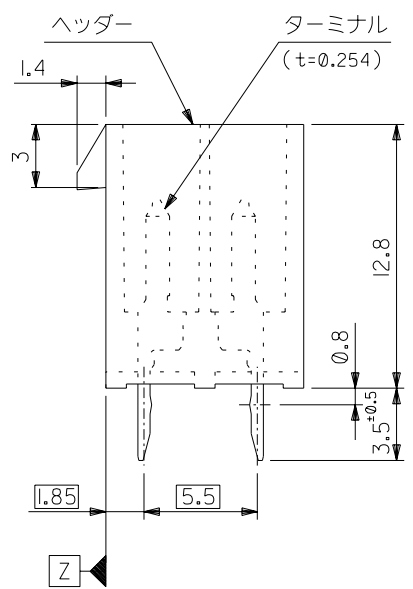
|  |                                       |   |                             |                             |   |                        |                        |  |
|--|---------------------------------------|---|-----------------------------|-----------------------------|---|------------------------|------------------------|--|
| REVISED<br>EC NO: UCP2010-1083<br>DRWN: J.AGUILAR 2010/02/05<br>CHKD: J.BELL 2010/02/08<br>APPR: F.S.MITH 2010/02/10 | GENERAL TOLERANCES (UNLESS SPECIFIED) |   | DIMENSION STYLE<br>IN/MM    |                             | SCALE<br>---  | DESIGN UNITS<br>METRIC | THIRD ANGLE PROJECTION |  |
|  | 10 UNDER                              | ± ---   | DRAWN BY<br>H. HIRAMOTO     | DATE<br>'89/04/03           | TITLE<br><b>NEW MINI FIT CONNECTOR<br/>         HEADER HOUSING ASS'Y<br/>         -LEAD FREE-</b>               |                        |                        |  |
|  | 10 OVER 30 UNDER                      | ± ---   | CHECKED BY<br>M. FUKUSHIMA  | DATE<br>'94/04/20           |   |                        |                        |  |
|  | 30 OVER                               | ± ---   | APPROVED BY<br>M. FUKUSHIMA | DATE<br>'94/04/20           |  <b>MOLEX INCORPORATED</b> |                        | SHEET NO.<br>2 OF 6    |  |
| ANGULAR ± --- °  |                                       | MATERIAL NO.<br>SEE TABLE   |                             | DOCUMENT NO.<br>SD-5566-002 |   |                        |                        |  |
| DRAFT WHERE APPLICABLE MUST REMAIN WITHIN DIMENSIONS   |                                       | THIS DRAWING CONTAINS INFORMATION THAT IS PROPRIETARY TO MOLEX INCORPORATED AND SHOULD NOT BE USED WITHOUT WRITTEN PERMISSION |                             |                             |   |                        |                        |  |



|      |      |    |
|------|------|----|
| 51.6 | 46.2 | 24 |
| 47.4 | 42   | 22 |
| 43.2 | 37.8 | 20 |
| 39   | 33.6 | 18 |
| 34.8 | 29.4 | 16 |
| 30.6 | 25.2 | 14 |
| 26.4 | 21   | 12 |
| 22.2 | 16.8 | 10 |
| 18   | 12.6 | 8  |
| 13.8 | 8.4  | 6  |
| 9.6  | 4.2  | 4  |
| 5.4  | —    | 2  |
| 寸法 B | 寸法 A | 極数 |

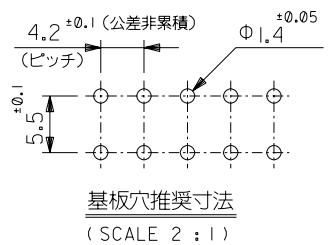


極数別レイアウト図  
(SCALE 1:1)



注 記

- 嵌合相手 : 5557シリーズ
- 使用符号の説明  
 ベースナンバー 5566 - N A \* \* - \*  
 極数 \_\_\_\_\_  
 アッセンブリ \_\_\_\_\_  
 ターミナル材料 \_\_\_\_\_  
 "BLANK" : 黄銅  
 PB : リン青銅  
 ターミナルのメッキ \_\_\_\_\_  
 "BLANK" : 錫メッキ 0.9μm MIN.  
 GS : ニッケル 1.27μm MIN. 全面下地  
 コンタクト部 金 0.76μm MIN.  
 半田付け部 錫 2.54μm MIN.  
 ヘッダー材料 \_\_\_\_\_  
 "BLANK" : ナイロン 66, UL 94V-2  
 210 : ナイロン 66, UL 94V-0  
 400 : ナイロン 66, UL 94V-0, 黒



5566-NA\*\*\*  
MODEL NO.

|                         |            |                         |                |                                  |  |
|-------------------------|------------|-------------------------|----------------|----------------------------------|--|
|                         |            | 材料 MATERIAL             |                | MOLEX-JAPAN CO.,LTD. 日本モレックス株式会社 |  |
|                         |            | 注記 2 参照                 |                | EDP NO. SHEET 2 OF 2 参照          |  |
|                         |            | 仕上げ FINISH 注記 2 参照      |                | ENG. NO. SHEET 1 OF 2 REV F      |  |
| 角度 ANGLE                | ±3°        | F 変更 (J2004-4431)       | M.N. '04/5/26  | 適用電線範囲 WIRE RANGE —              |  |
| 30以上 OVER               | ±0.4       | E 変更 (J00638)           | H.K.T. '90/6/8 | 被覆外径 INS. RANGE —                |  |
| 10以上 OVER 30未満 UNDER    | ±0.3 ±0.25 | D 変更&再作図 (J00510)       | H.H. '90/5/7   | DRAWN BY '89/5/7 H.HIRAMOTO      |  |
| 10未満 UNDER              | ±0.2       | 記号 変更内容 REVISION RECORD | DR. '91/10/29  | CHK'D BY '91/10/29 M.FUKUSHIMA   |  |
| 一般公差 GENERAL TOLERANCES |            | REVISION RECORD         | DATE           | APP'D BY '91/10/29 M.ENOMOTO     |  |
|                         |            |                         | SCALE 4 - 1    |                                  | TITLE 名称 NEW MINI FIT CONNECTOR HEADER ASS'Y -LEAD FREE- |

DIMENSIONS IN METRIC DO NOT SCALE DRAWING

ENC. NO. SD-5566-NA\*\*\*-\*

EDP NO. 表 参照

|                |                 |                |                 |              |               |    |
|----------------|-----------------|----------------|-----------------|--------------|---------------|----|
| 39-29-5247     | 5566-24APB-2 10 | 39-29-6248     | 5566-24AGS-2 10 | 39-28-8240   | 5566-24A-2 10 | 24 |
| ▲ -5227        | ▲ -22APB-2 10   | ▲ -6228        | ▲ -22AGS-2 10   | ▲ -8220      | ▲ -22A-2 10   | 22 |
| -5207          | -20APB-2 10     | -6208          | -20AGS-2 10     | -8200        | -20A-2 10     | 20 |
| -5187          | -18APB-2 10     | -6188          | -18AGS-2 10     | -8180        | -18A-2 10     | 18 |
| -5167          | -16APB-2 10     | -6168          | -16AGS-2 10     | -8160        | -16A-2 10     | 16 |
| -5147          | -14APB-2 10     | -6148          | -14AGS-2 10     | -8140        | -14A-2 10     | 14 |
| -5127          | -12APB-2 10     | -6128          | -12AGS-2 10     | -8120        | -12A-2 10     | 12 |
| -5107          | -10APB-2 10     | -6108          | -10AGS-2 10     | -8100        | -10A-2 10     | 10 |
| -5087          | -08APB-2 10     | -6088          | -08AGS-2 10     | -8080        | -08A-2 10     | 8  |
| -5067          | -06APB-2 10     | -6068          | -06AGS-2 10     | -8060        | -06A-2 10     | 6  |
| ▼ -5047        | ▼ -04APB-2 10   | ▼ -6048        | ▼ -04AGS-2 10   | ▼ -8040      | ▼ -04A-2 10   | 4  |
| 39-29-5027     | 5566-02APB-2 10 | 39-29-6028     | 5566-02AGS-2 10 | 39-28-8020   | 5566-02A-2 10 | 2  |
| EDP NO.        | ENG. NO         | EDP NO.        | ENG. NO         | EDP NO.      | ENG. NO       | 極数 |
| 5566-NAPB-2 10 |                 | 5566-NAGS-2 10 |                 | 5566-NA-2 10 |               |    |
| 39-29-5246     | 5566-24APB      | 39-29-0243     | 5566-24AGS      | 39-28-1243   | 5566-24A      | 24 |
| ▲ -5226        | ▲ -22APB        | ▲ -0223        | ▲ -22AGS        | ▲ -1223      | ▲ -22A        | 22 |
| -5206          | -20APB          | -0203          | -20AGS          | -1203        | -20A          | 20 |
| -5186          | -18APB          | -0183          | -18AGS          | -1183        | -18A          | 18 |
| -5166          | -16APB          | -0163          | -16AGS          | -1163        | -16A          | 16 |
| -5146          | -14APB          | -0143          | -14AGS          | -1143        | -14A          | 14 |
| -5126          | -12APB          | -0123          | -12AGS          | -1123        | -12A          | 12 |
| -5106          | -10APB          | -0103          | -10AGS          | -1103        | -10A          | 10 |
| -5086          | -08APB          | -0083          | -08AGS          | -1083        | -08A          | 8  |
| -5066          | -06APB          | -0063          | -06AGS          | -1063        | -06A          | 6  |
| ▼ -5046        | ▼ -04APB        | ▼ -0043        | ▼ -04AGS        | ▼ -1043      | ▼ -04A        | 4  |
| 39-29-5026     | 5566-02APB      | 39-29-0023     | 5566-02AGS      | 39-28-1023   | 5566-02A      | 2  |
| EDP NO.        | ENG. NO         | EDP NO.        | ENG. NO         | EDP NO.      | ENG. NO       | 極数 |
| 5566-NAPB      |                 | 5566-NAGS      |                 | 5566-NA      |               |    |

|             |              |    |
|-------------|--------------|----|
| 39-35-0248  | 5566-24A-400 | 24 |
| ▲ -0228     | ▲ -22A-400   | 22 |
| -0208       | -20A-400     | 20 |
| -0188       | -18A-400     | 18 |
| -0168       | -16A-400     | 16 |
| -0148       | -14A-400     | 14 |
| -0128       | -12A-400     | 12 |
| -0108       | -10A-400     | 10 |
| -0088       | -08A-400     | 8  |
| -0068       | -06A-400     | 6  |
| ▼ -0048     | ▼ -04A-400   | 4  |
| 39-35-0028  | 5566-02A-400 | 2  |
| EDP NO.     | ENG. NO      | 極数 |
| 5566-NA-400 |              |    |

|                         |       |                 |                      |  |          |
|-------------------------|-------|-----------------|----------------------|--|----------|
| 5566-NA***-*            |       | 材料 MATERIAL     |                      | MOLEX-JAPAN CO.,LTD.<br>日本モレックス株式会社                      |          |
| MODEL NO.               |       | 仕上げ FINISH      |                      | EDP. NO. 表 参照  |          |
| 角度 ANGLE                | ±3°   | F               | SEE SHEET 1 OF 2     | M.N  | '04/5/26 |
| 30 以上 OVER              | ±0.3  | E               | SEE SHEET 1 OF 2     | H.H  | '90/6/8  |
| 10 以上 30 未満 OVER UNDER  | ±0.25 | D               | SEE SHEET 1 OF 2     | H.H  | '90/5/7  |
| 10 未満 UNDER             | ±0.2  | 記号 LTR          | 変更内容 REVISION RECORD | DR. CHK.   | 日付 DATE  |
| 一般公差 GENERAL TOLERANCES |       | REVISION RECORD |                      | DRAWN BY '90/5/7 H.HIRAMOTO                              |          |
|                         |       |                 |                      | CHK'D BY '91/10/29 M.FUKUSHIMA                           |          |
|                         |       |                 |                      | APP'D BY '91/10/29 M.ENOMOTO                             |          |
|                         |       |                 |                      | 尺 度 SCALE  |          |
|                         |       |                 |                      | TITLE 名称 NEW MINI FIT CONNECTOR HEADER ASS'Y -LEAD FREE- |          |