

**PLEASE CHECK WWW.MOLEX.COM FOR LATEST PART INFORMATION**

**Part Number:** [0879144416](#)  
**Status:** **Active**  
**Overview:** [cgrid\\_sl\\_products](#)  
**Description:** 2.54mm (.100") Pitch C-Grid® Header, Through Hole, Dual Row, Vertical, 44 Circuits, 2.50µm (98.4µ") Tin (Sn) Overall Plating, Tray Packaging, Lead-free

**Documents:**

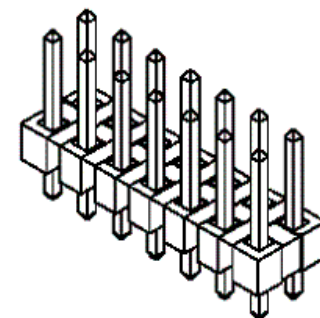
[3D Model](#) [Product Specification PS-87920-019 \(PDF\)](#)  
[Drawing \(PDF\)](#) [RoHS Certificate of Compliance \(PDF\)](#)

**General**

Product Family	PCB Headers
Series	87914
Application	Board-to-Board, Wire-to-Board
Overview	<a href="#">cgrid_sl_products</a>
Product Name	C-Grid®

**Physical**

Breakaway	Yes
Circuits (Loaded)	44
Circuits (maximum)	44
Color - Resin	Black
First Mate / Last Break	No
Glow-Wire Compliant	No
Guide to Mating Part	No
Keying to Mating Part	None
Lock to Mating Part	None
Mated Height (in)	0.230 In
Mated Height (mm)	5.84 mm
Material - Metal	Copper Alloy
Material - Plating Mating	Tin
Material - Plating Termination	Nickel
Material - Resin	High Temperature Thermoplastic
Number of Rows	2
Orientation	Vertical
PC Tail Length (in)	0.110 In
PC Tail Length (mm)	2.79 mm
PCB Locator	No
PCB Retention	None
PCB Thickness Recommended (in)	0.062 In
PCB Thickness Recommended (mm)	1.60 mm
Packaging Type	Tray
Pitch - Mating Interface (in)	0.100 In
Pitch - Mating Interface (mm)	2.54 mm
Pitch - Term. Interface (in)	0.100 In
Pitch - Term. Interface (mm)	2.54 mm
Plating min: Mating (µin)	98
Plating min: Mating (µm)	2.50
Plating min: Termination (µin)	49
Plating min: Termination (µm)	1.25
Polarized to Mating Part	No
Polarized to PCB	No
Shrouded	No
Stackable	No
Surface Mount Compatible (SMC)	Yes
Temperature Range - Operating	-55°C to +105°C



*Series  
image - Reference only*

**EU RoHS**

**ELV and RoHS  
Compliant**  
**REACH SVHC**  
 Not Reviewed  
**Halogen-Free  
Status**  
**Not Reviewed**

**China RoHS**



**Need more information on product  
environmental compliance?**

Email [productcompliance@molex.com](mailto:productcompliance@molex.com)  
 For a multiple part number RoHS Certificate of Compliance, [click here](#)

Please visit the [Contact Us](#) section for any non-product compliance questions.

**Search Parts in this Series**

87914Series

**Mates With**

7859 Shunts. C-Grid® PCB Receptacles like 71850. SL™ IDT Housing like 70450

Termination Interface: Style Through Hole

### **Electrical**

Current - Maximum per Contact 3A  
Voltage - Maximum 250V

### **Solder Process Data**

Duration at Max. Process Temperature (seconds) 12  
Lead-free Process Capability Wave Capable (TH only)  
Max. Cycles at Max. Process Temperature 1  
Process Temperature max. C 260

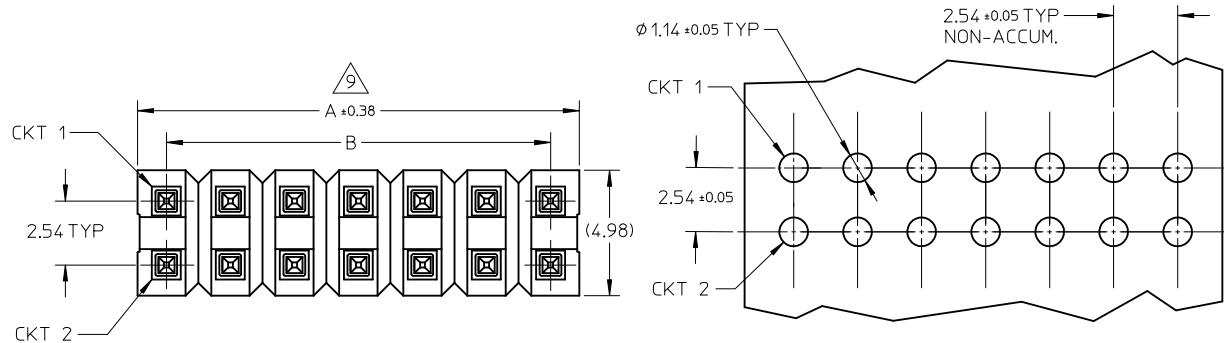
### **Material Info**

#### **Reference - Drawing Numbers**

Packaging Specification PK-89990-489  
Product Specification PS-87920-019  
Sales Drawing SD-87914-013

This document was generated on 05/26/2010

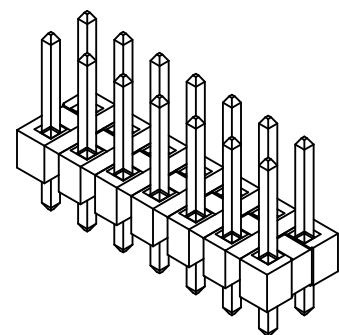
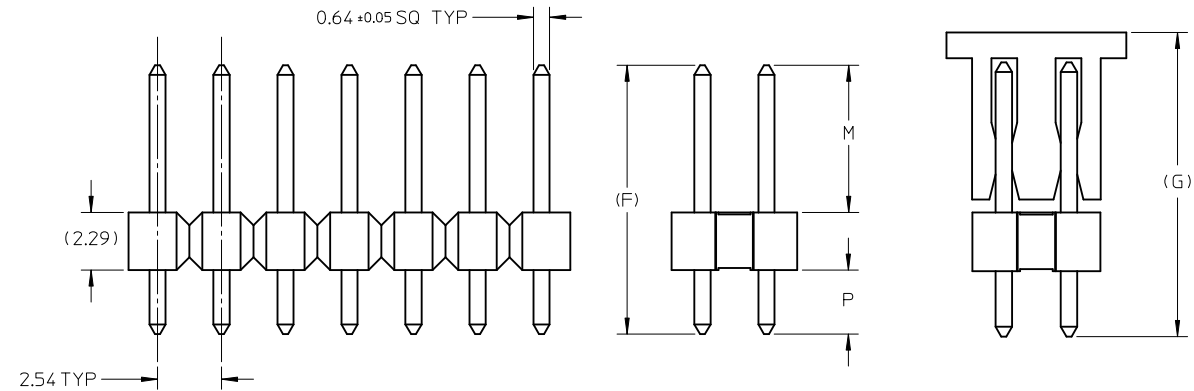
**PLEASE CHECK [WWW.MOLEX.COM](http://WWW.MOLEX.COM) FOR LATEST PART INFORMATION**



RECOMMENDED P.C.B HOLE LAYOUT

NOTES:

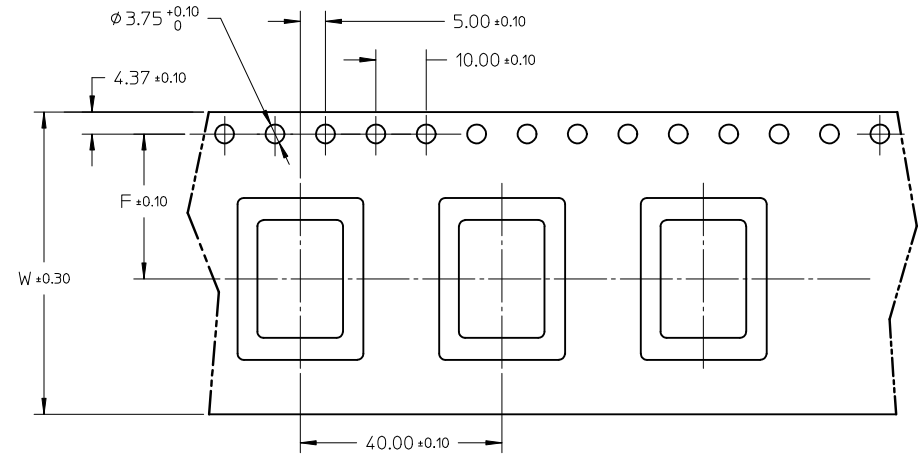
1. MATERIAL:
  - HSG: LCP, GLASS-FILLED, UL94V-0, COLOR: BLACK
  - PIN: 0.64MM SQ PIN, COPPER ALLOY
2. PLATING TYPE:
  - (1) : GOLD FLASH OVER  
1.25 MICRO METER MIN. NICKEL OVERALL.
  - (2) : 0.025 μm MIN. GOLD PLATE ON CONTACT AND 1.88 μm MIN. TIN ON SOLDERTAIL OVER 1.25 μm MIN. NICKEL OVERALL.
  - (3) : 0.25 μm MIN. GOLD PLATE ON CONTACT AND 1.88 μm MIN. TIN ON SOLDERTAIL OVER 1.25 μm MIN. NICKEL OVERALL.
  - (4) : 0.38 μm MIN. GOLD PLATE ON CONTACT AND 1.88 μm MIN. TIN ON SOLDERTAIL OVER 1.25 μm MIN. NICKEL OVERALL.
  - (5) : 0.75 μm MIN. GOLD PLATE ON CONTACT AND 1.88 μm MIN. TIN ON SOLDERTAIL OVER 1.25 μm MIN. NICKEL OVERALL
  - (6) : 2.50 μm MIN. TIN IN SELECTED AREA OVER 1.25 μm MIN. NICKEL OVERALL.
  - (7) : 0.38 μm MIN. GOLD PLATE ON CONTACT AND 2.50 μm MIN. TIN ON SOLDERTAIL OVER 1.25 μm MIN. NICKEL OVERALL.
  - (8) : 0.38 μm MIN. GOLD PLATE ON CONTACT AND 0.05 μm MIN. GOLD FLASH ON SOLDERTAIL OVER 1.25 μm MIN. NICKEL OVERALL.
3. PIN PUSHOUT FORCE: 1KG MIN IN EITHER DIRECTION
4. THE ABOVE 14 CKT IS FOR ILLUSTRATION PURPOSE ONLY.
5. FOR PACKAGING OPTION PLEASE REFER TO THE TABLE.
6. RECOMMENDED PCB THICKNESS 1.60MM.
7. PRODUCT SPECIFICATION: PS-87920-019
8. WAFER TO BE FLAT WITHIN 0.003mm/mm
9. IRREGULAR CIRCUIT CUTOFF WITHIN BREAKAWAY SECTION IS PERMISSIBLE. CUTTING OR CHIPPING OF THE MAIN BODY IS NOT ACCEPTABLE.
10. PARTS ARE NOT STACKABLE ON 2.54 CENTER
11. CAP TO BE PLACED AS CENTRAL OF PART AS POSSIBLE WITH THE TOP SURFACE FLAT FOR PICK AND PLACE.
12. PACKAGING SPECIFICATION:
  - TRAY: PK-89990-489
  - BULK: PK-89990-491



PG8. +879140108 EC NO: S2010-0695 DRWN:ATSEE 2010/02/11 CHKD:PTLIM 2004/12/08 APPR:MLONG 2010/06/05 REV D7	QUALITY SYMBOLS $\nabla_A = 0$ $\nabla_C = 0$ $\nabla_P = 0$	GENERAL TOLERANCES (UNLESS SPECIFIED)		DIMENSION STYLE MM ONLY		SCALE NTS	DESIGN UNITS METRIC	THIRD ANGLE PROJECTION		
		4 PLACES ± --- ± ---	mm INCH	DRAWN BY KCHO	DATE 2004/11/05	TITLE 2.54MM PITCH DUAL ROW HEADER SINGLE WAFER, T/H				
		3 PLACES ± --- ± ---	± 0.20 ± ---	CHECKED BY PTLIM	DATE 2004/12/08	MOLEX INCORPORATED				
		2 PLACES ± --- ± ---	± --- ± ---	APPROVED BY SCLOW	DATE 2004/12/10	MATERIAL NO. SEE TABLE	DOCUMENT NO. SD-87914-013	SHEET NO. 1 OF 46		
1 PLACE ± --- ± ---		ANGULAR ± 3 °		THIS DRAWING CONTAINS INFORMATION THAT IS PROPRIETARY TO MOLEX INCORPORATED AND SHOULD NOT BE USED WITHOUT WRITTEN PERMISSION						
DRAFT WHERE APPLICABLE MUST REMAIN WITHIN DIMENSIONS										

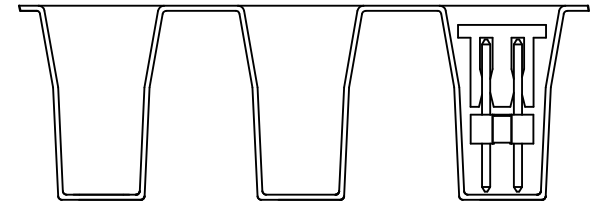
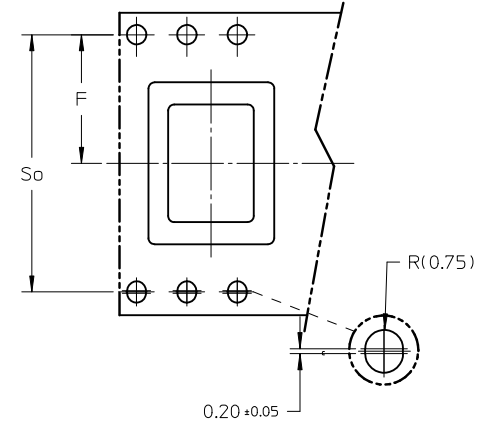
P/N	CKT SIZE	F	So	W	QTY/ REEL
87914-0627	06	11.50	-	24.00	250
87914-0827	08	11.50	-	24.00	250

FOR TAPE WIDTH WITH SINGLE ROW SPROCKET HOLES.



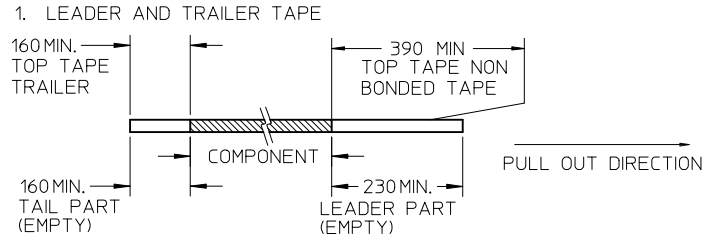
CUSTOMER PULL OUT DIRECTION

FOR TAPE WIDTH WITH 2 ROWS OF SPROCKET HOLES.

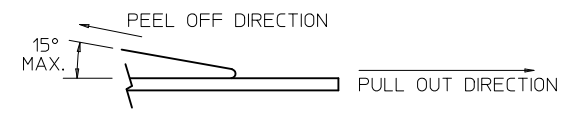


VIEW OF PART ORIENTATION IN TAPE & REEL

NOTES:



2. PEELING OFF FORCE OF THE TOP TAPE: 20 - 80gf. (PEELING DIRECTION AS SHOWN IN FOLLOWING FIGURE)



3. TAPE AND REEL SPECIFICATION IS AS PER EIA-481.  
4. THE TAPE IS TREATED FOR ANTI-STATIC.

REV	DESCRIPTION	QUALITY SYMBOLS	GENERAL TOLERANCES (UNLESS SPECIFIED)		DIMENSION STYLE	SCALE	DESIGN UNITS	THIRD ANGLE PROJECTION	
			mm	INCH	MM ONLY	NTS	METRIC	⊙ □	
D7	PG8. +879140108 EC NO: S2010-0695 DRW:ATSEE 2010/02/11 CHKD:PTLIM 2004/12/08 APPR:MLONG 2010/06/05	$F_A=0$ $F_C=0$ $F_P=0$	4 PLACES ± --- ± ---	3 PLACES ± --- ± ---	2 PLACES ± 0.20 ± ---	1 PLACE ± --- ± ---	ANGULAR ± 3 °	DRAFT WHERE APPLICABLE MUST REMAIN WITHIN DIMENSIONS	DRAWN BY: KCHO CHECKED BY: PTLIM APPROVED BY: SCLOW DATE: 2004/11/05 DATE: 2004/12/08 DATE: 2004/12/10 MATERIAL NO.: SEE TABLE SIZE: A3 TITLE: 2.54MM PITCH DUAL ROW HEADER SINGLE WAFER, T/H MOLEX INCORPORATED DOCUMENT NO.: SD-87914-013 SHEET NO.: 2 OF 46 THIS DRAWING CONTAINS INFORMATION THAT IS PROPRIETARY TO MOLEX INCORPORATED AND SHOULD NOT BE USED WITHOUT WRITTEN PERMISSION

10		9		8		7		6		5		4		3		2		1	
PART NO FOR TRAY PACKAGING	PART NO. FOR TUBE WITHOUT CAP PACKAGING	PART NO. FOR TUBE WITH CAP PACKAGING	PART NO. FOR TAPE & REEL WITHOUT CAP PACKAGING	PART NO. FOR TAPE & REEL WITH CAP PACKAGING	CKT SIZE	VOID POSITION	PLATING TYPE	DIMENSION											
								A	B	F	M	P							
F	87914-0211	-----	-----	-----	-----	2	----	1	2.54	----	10.92	5.84	2.79						
	87914-0221	-----	-----	-----	-----	2	----	1	2.54	----	12.25	7.00	2.96						
	87914-0231	-----	-----	-----	-----	2	----	1	2.54	----	13.38	6.09	5.00						
	87914-0212	-----	-----	-----	-----	2	----	2	2.54	----	10.92	5.84	2.79						
	87914-0222	-----	-----	-----	-----	2	----	2	2.54	----	12.25	7.00	2.96						
	87914-0232	-----	-----	-----	-----	2	----	2	2.54	----	13.38	6.09	5.00						
E	87914-0213	-----	-----	-----	-----	2	----	3	2.54	----	10.92	5.84	2.79						
	87914-0223	-----	-----	-----	-----	2	----	3	2.54	----	12.25	7.00	2.96						
	87914-0233	-----	-----	-----	-----	2	----	3	2.54	----	13.38	6.09	5.00						
	87914-0214	-----	-----	-----	-----	2	----	4	2.54	----	10.92	5.84	2.79						
	87914-0224	-----	-----	-----	-----	2	----	4	2.54	----	12.25	7.00	2.96						
	87914-0234	-----	-----	-----	-----	2	----	4	2.54	----	13.38	6.09	5.00						
D	87914-0215	-----	-----	-----	-----	2	----	5	2.54	----	10.92	5.84	2.79						
	87914-0225	-----	-----	-----	-----	2	----	5	2.54	----	12.25	7.00	2.96						
	87914-0235	-----	-----	-----	-----	2	----	5	2.54	----	13.38	6.09	5.00						
	87914-0216	-----	-----	-----	-----	2	----	6	2.54	----	10.92	5.84	2.79						
	87914-0226	-----	-----	-----	-----	2	----	6	2.54	----	12.25	7.00	2.96						
	87914-0236	-----	-----	-----	-----	2	----	6	2.54	----	13.38	6.09	5.00						
C																			
B																			

<b>PG8. +879140108</b> EC NO: S2010-0695 DRWN:ATSEE 2010/02/11 CHKD:PTLIM 2004/12/08 APPR:MLONG 2010/06/05 <b>D7</b>	QUALITY SYMBOLS $F_A=0$ $F_C=0$ $F_P=0$	GENERAL TOLERANCES (UNLESS SPECIFIED)		DIMENSION STYLE <b>MM ONLY</b>	SCALE <b>NTS</b>	DESIGN UNITS <b>METRIC</b>	THIRD ANGLE PROJECTION		
		4 PLACES $\pm$ --- $\pm$ --- 3 PLACES $\pm$ --- $\pm$ --- 2 PLACES $\pm$ 0.20 $\pm$ --- 1 PLACE $\pm$ --- $\pm$ ---	mm      INCH	DRAWN BY KCHO	DATE 2004/11/05	TITLE <b>2.54MM PITCH DUAL ROW HEADER SINGLE WAFER, T/H</b>			
		ANGULAR $\pm$ 3 °		CHECKED BY PTLIM	DATE 2004/12/08	<b>MOLEX INCORPORATED</b>			
		DRAFT WHERE APPLICABLE MUST REMAIN WITHIN DIMENSIONS		APPROVED BY SCLOW	DATE 2004/12/10	MATERIAL NO. <b>SEE TABLE</b>	DOCUMENT NO. <b>SD-87914-013</b>	SHEET NO. <b>3 OF 46</b>	

	10	9	8	7	6	5	4	3	2	1			
	PART NO. FOR TRAY PACKAGING	PART NO. FOR TUBE WITHOUT CAP PACKAGING	PART NO. FOR TUBE WITH CAP PACKAGING	PART NO. FOR TAPE & REEL WITHOUT CAP PACKAGING	PART NO. FOR TAPE & REEL WITH CAP PACKAGING	CKT SIZE	VOID POSITION	PLATING TYPE	DIMENSION				
								A	B	F	M	P	
F	87914-0411	-----	-----	-----	-----	4	----	1	5.08	2.54	10.92	5.84	2.79
	87914-0421	-----	-----	-----	-----	4	----	1	5.08	2.54	12.25	7.00	2.96
	87914-0431	-----	-----	-----	-----	4	----	1	5.08	2.54	13.38	6.09	5.00
	87914-0412	-----	-----	-----	-----	4	----	2	5.08	2.54	10.92	5.84	2.79
	87914-0422	-----	-----	-----	-----	4	----	2	5.08	2.54	12.25	7.00	2.96
	87914-0432	-----	-----	-----	-----	4	----	2	5.08	2.54	13.38	6.09	5.00
E	87914-0413	-----	-----	-----	-----	4	----	3	5.08	2.54	10.92	5.84	2.79
	87914-0423	-----	-----	-----	-----	4	----	3	5.08	2.54	12.25	7.00	2.96
	87914-0433	-----	-----	-----	-----	4	----	3	5.08	2.54	13.38	6.09	5.00
	87914-0414	-----	-----	-----	-----	4	----	4	5.08	2.54	10.92	5.84	2.79
	87914-0424	-----	-----	-----	-----	4	----	4	5.08	2.54	12.25	7.00	2.96
	87914-0434	-----	-----	-----	-----	4	----	4	5.08	2.54	13.38	6.09	5.00
D	87914-0415	-----	-----	-----	-----	4	----	5	5.08	2.54	10.92	5.84	2.79
	87914-0425	-----	-----	-----	-----	4	----	5	5.08	2.54	12.25	7.00	2.96
	87914-0435	-----	-----	-----	-----	4	----	5	5.08	2.54	13.38	6.09	5.00
	87914-0416	-----	-----	-----	-----	4	----	6	5.08	2.54	10.92	5.84	2.79
	87914-0426	-----	-----	-----	-----	4	----	6	5.08	2.54	12.25	7.00	2.96
	87914-0436	-----	-----	-----	-----	4	----	6	5.08	2.54	13.38	6.09	5.00
C													
B													

<b>PG8. +879140108</b> EC NO: S2010-0695 DRWN:ATSEE 2010/02/11 CHKD:PTLIM 2004/12/08 APPR:MLONG 2010/06/05 <b>D7</b>	QUALITY SYMBOLS $\nabla_A=0$ $\nabla_C=0$ $\nabla_P=0$	GENERAL TOLERANCES (UNLESS SPECIFIED) <table border="1"> <tr><th colspan="2">mm</th><th>INCH</th></tr> <tr><td>4 PLACES</td><td>± ---</td><td>± ---</td></tr> <tr><td>3 PLACES</td><td>± ---</td><td>± ---</td></tr> <tr><td>2 PLACES</td><td>± 0.20</td><td>± ---</td></tr> <tr><td>1 PLACE</td><td>± ---</td><td>± ---</td></tr> </table>	mm		INCH	4 PLACES	± ---	± ---	3 PLACES	± ---	± ---	2 PLACES	± 0.20	± ---	1 PLACE	± ---	± ---	DIMENSION STYLE <b>MM ONLY</b> DRAWN BY: KCHO DATE: 2004/11/05 CHECKED BY: PTLIM DATE: 2004/12/08 APPROVED BY: SCLOW DATE: 2004/12/10	SCALE: NTS DESIGN UNITS: METRIC THIRD ANGLE PROJECTION	TITLE: <b>2.54MM PITCH          DUAL ROW HEADER          SINGLE WAFER, T/H</b>
	mm		INCH																	
	4 PLACES	± ---	± ---																	
	3 PLACES	± ---	± ---																	
2 PLACES	± 0.20	± ---																		
1 PLACE	± ---	± ---																		
	DRAFT WHERE APPLICABLE MUST REMAIN WITHIN DIMENSIONS	SEE TABLE	MATERIAL NO. DOCUMENT NO.	MOLEX INCORPORATED <b>SD-87914-013</b>	SHEET NO. <b>4 OF 46</b>															
			THIS DRAWING CONTAINS INFORMATION THAT IS PROPRIETARY TO MOLEX INCORPORATED AND SHOULD NOT BE USED WITHOUT WRITTEN PERMISSION																	

PART NO FOR TRAY PACKAGING	PART NO. FOR TUBE WITHOUT CAP PACKAGING	PART NO. FOR TUBE WITH CAP PACKAGING	PART NO. FOR TAPE & REEL WITHOUT CAP PACKAGING	PART NO. FOR TAPE & REEL WITH CAP PACKAGING	CKT SIZE	VOID POSITION	PLATING TYPE	DIMENSION					
								A	B	F	M	P	G
87914-0611	-----	-----	-----	-----	6	----	1	7.62	5.08	10.92	5.84	2.79	----
87914-0621	-----	-----	-----	-----	6	----	1	7.62	5.08	12.25	7.00	2.96	----
87914-0631	-----	-----	-----	-----	6	----	1	7.62	5.08	13.38	6.09	5.00	----
87914-0612	-----	-----	-----	-----	6	----	2	7.62	5.08	10.92	5.84	2.79	----
87914-0622	-----	-----	-----	-----	6	----	2	7.62	5.08	12.25	7.00	2.96	----
87914-0632	-----	-----	-----	-----	6	----	2	7.62	5.08	13.38	6.09	5.00	----
87914-0613	-----	-----	-----	-----	6	----	3	7.62	5.08	10.92	5.84	2.79	----
87914-0623	-----	-----	-----	-----	6	----	3	7.62	5.08	12.25	7.00	2.96	----
87914-0633	-----	-----	-----	-----	6	----	3	7.62	5.08	13.38	6.09	5.00	----
87914-0614	-----	-----	-----	-----	6	----	4	7.62	5.08	10.92	5.84	2.79	----
87914-0624	-----	-----	-----	-----	6	----	4	7.62	5.08	12.25	7.00	2.96	----
87914-0634	-----	-----	-----	-----	6	----	4	7.62	5.08	13.38	6.09	5.00	----
87914-0615	-----	-----	-----	-----	6	----	5	7.62	5.08	10.92	5.84	2.79	----
87914-0625	-----	-----	-----	-----	6	----	5	7.62	5.08	12.25	7.00	2.96	----
87914-0635	-----	-----	-----	-----	6	----	5	7.62	5.08	13.38	6.09	5.00	----
87914-0616	-----	-----	-----	-----	6	----	6	7.62	5.08	10.92	5.84	2.79	----
87914-0626	-----	-----	-----	-----	6	----	6	7.62	5.08	12.25	7.00	2.96	----
87914-0636	-----	-----	-----	-----	6	----	6	7.62	5.08	13.38	6.09	5.00	----
-----	-----	-----	-----	87914-0627	6	----	6	7.62	5.08	13.55	8.08	3.18	14.70

<p>PG8. +879140108          EC NO: S2010-0695          DRWN:ATSEE 2010/02/11          CHKD:PTLIM 2004/12/08          APPR:MLONG 2010/06/05</p>										QUALITY SYMBOLS $F_A=0$ $F_G=0$ $F_P=0$	GENERAL TOLERANCES (UNLESS SPECIFIED) mm INCH 4 PLACES $\pm$ --- $\pm$ --- 3 PLACES $\pm$ --- $\pm$ --- 2 PLACES $\pm$ 0.20 $\pm$ --- 1 PLACE $\pm$ --- $\pm$ --- ANGULAR $\pm$ 3 °	DIMENSION STYLE <b>MM ONLY</b> DRAWN BY DATE KCHO 2004/11/05 CHECKED BY DATE PTLIM 2004/12/08 APPROVED BY DATE SCLOW 2004/12/10	SCALE NTS DESIGN UNITS METRIC THIRD ANGLE PROJECTION	TITLE <b>2.54MM PITCH          DUAL ROW HEADER          SINGLE WAFER, T/H</b>				MATERIAL NO. DOCUMENT NO. <b>SEE TABLE SD-87914-013</b>		SHEET NO. <b>5 OF 46</b>	
--	--	--	--	--	--	--	--	--	--	--	---	--	--	--	--	--	--	--	--	-----------------------------	--

DRAFT WHERE APPLICABLE MUST REMAIN WITHIN DIMENSIONS THIS DRAWING CONTAINS INFORMATION THAT IS PROPRIETARY TO MOLEX INCORPORATED AND SHOULD NOT BE USED WITHOUT WRITTEN PERMISSION									
---	--	--	--	--	--	--	--	--	--

PART NO FOR TRAY PACKAGING	PART NO. FOR TUBE WITHOUT CAP PACKAGING	PART NO. FOR TUBE WITH CAP PACKAGING	PART NO. FOR TAPE & REEL WITHOUT CAP PACKAGING	PART NO. FOR TAPE & REEL WITH CAP PACKAGING	CKT SIZE	VOID POSITION	PLATING TYPE	DIMENSION				
								A	B	F	M	P
								87914-0009	-----	-----	-----	-----
87914-0642	-----	-----	-----	-----	6	-----	2	7.62	5.08	18.84	13.25	3.30
87914-0643	-----	-----	-----	-----	6	-----	3	7.62	5.08	18.84	13.25	3.30
87914-0644	-----	-----	-----	-----	6	-----	4	7.62	5.08	18.84	13.25	3.30
87914-0645	-----	-----	-----	-----	6	-----	5	7.62	5.08	18.84	13.25	3.30
87914-0646	-----	-----	-----	-----	6	-----	6	7.62	5.08	18.84	13.25	3.30

<b>PG8. +879140108</b> EC NO: S2010-0695 DRWN:ATSEE 2010/02/11 CHKD:PTLIM 2004/12/08 APPR:MLONG 2010/06/05	QUALITY SYMBOLS	GENERAL TOLERANCES (UNLESS SPECIFIED)	DIMENSION STYLE <b>MM ONLY</b>	SCALE NTS	DESIGN UNITS METRIC	THIRD ANGLE PROJECTION																																				
	$F_A = 0$ $F_G = 0$ $F_P = 0$	<table border="1"> <tr><th colspan="2">mm</th><th>INCH</th></tr> <tr><td>4 PLACES</td><td>± ---</td><td>± ---</td></tr> <tr><td>3 PLACES</td><td>± ---</td><td>± ---</td></tr> <tr><td>2 PLACES</td><td>± 0.20</td><td>± ---</td></tr> <tr><td>1 PLACE</td><td>± ---</td><td>± ---</td></tr> </table>	mm		INCH	4 PLACES	± ---	± ---	3 PLACES	± ---	± ---	2 PLACES	± 0.20	± ---	1 PLACE	± ---	± ---	<table border="1"> <tr><th>DRAWN BY</th><th>DATE</th><th>TITLE</th></tr> <tr><td>KCHO</td><td>2004/11/05</td><td rowspan="3">2.54MM PITCH DUAL ROW HEADER SINGLE WAFER, T/H</td></tr> <tr><th>CHECKED BY</th><th>DATE</th></tr> <tr><td>PTLIM</td><td>2004/12/08</td></tr> <tr><th>APPROVED BY</th><th>DATE</th><td rowspan="2">MOLEX INCORPORATED</td></tr> <tr><td>SCLOW</td><td>2004/12/10</td></tr> <tr><th>MATERIAL NO.</th><td>SEE TABLE</td><td>DOCUMENT NO. SD-87914-013</td></tr> <tr><td>DRAFT WHERE APPLICABLE MUST REMAIN WITHIN DIMENSIONS</td><td>SIZE A3</td><td>SHEET NO. 6 OF 46</td></tr> <tr><td colspan="3">THIS DRAWING CONTAINS INFORMATION THAT IS PROPRIETARY TO MOLEX INCORPORATED AND SHOULD NOT BE USED WITHOUT WRITTEN PERMISSION</td></tr> </table>	DRAWN BY	DATE	TITLE	KCHO	2004/11/05	2.54MM PITCH DUAL ROW HEADER SINGLE WAFER, T/H	CHECKED BY	DATE	PTLIM	2004/12/08	APPROVED BY	DATE	MOLEX INCORPORATED	SCLOW	2004/12/10	MATERIAL NO.	SEE TABLE	DOCUMENT NO. SD-87914-013	DRAFT WHERE APPLICABLE MUST REMAIN WITHIN DIMENSIONS	SIZE A3	SHEET NO. 6 OF 46	THIS DRAWING CONTAINS INFORMATION THAT IS PROPRIETARY TO MOLEX INCORPORATED AND SHOULD NOT BE USED WITHOUT WRITTEN PERMISSION		
	mm		INCH																																							
	4 PLACES	± ---	± ---																																							
3 PLACES	± ---	± ---																																								
2 PLACES	± 0.20	± ---																																								
1 PLACE	± ---	± ---																																								
DRAWN BY	DATE	TITLE																																								
KCHO	2004/11/05	2.54MM PITCH DUAL ROW HEADER SINGLE WAFER, T/H																																								
CHECKED BY	DATE																																									
PTLIM	2004/12/08																																									
APPROVED BY	DATE	MOLEX INCORPORATED																																								
SCLOW	2004/12/10																																									
MATERIAL NO.	SEE TABLE	DOCUMENT NO. SD-87914-013																																								
DRAFT WHERE APPLICABLE MUST REMAIN WITHIN DIMENSIONS	SIZE A3	SHEET NO. 6 OF 46																																								
THIS DRAWING CONTAINS INFORMATION THAT IS PROPRIETARY TO MOLEX INCORPORATED AND SHOULD NOT BE USED WITHOUT WRITTEN PERMISSION																																										



	10	9	8	7	6	5	4	3	2	1				
	PART NO. FOR TRAY PACKAGING	PART NO. FOR TUBE WITHOUT CAP PACKAGING	PART NO. FOR TUBE WITH CAP PACKAGING	PART NO. FOR TAPE & REEL WITHOUT CAP PACKAGING	PART NO. FOR TAPE & REEL WITH CAP PACKAGING	CKT SIZE	VOID POSITION	PLATING TYPE	DIMENSION					
									A	B	F	M	P	G
F	87914-0811	-----	-----	-----	-----	8	-----	1	10.16	7.62	10.92	5.84	2.79	----
	87914-0821	-----	-----	-----	-----	8	-----	1	10.16	7.62	12.25	7.00	2.96	----
	87914-0831	-----	-----	-----	-----	8	-----	1	10.16	7.62	13.38	6.09	5.00	----
	87914-0812	-----	-----	-----	-----	8	-----	2	10.16	7.62	10.92	5.84	2.79	----
	87914-0822	-----	-----	-----	-----	8	-----	2	10.16	7.62	12.25	7.00	2.96	----
	87914-0832	-----	-----	-----	-----	8	-----	2	10.16	7.62	13.38	6.09	5.00	----
E	87914-0813	-----	-----	-----	-----	8	-----	3	10.16	7.62	10.92	5.84	2.79	----
	87914-0823	-----	-----	-----	-----	8	-----	3	10.16	7.62	12.25	7.00	2.96	----
	87914-0833	-----	-----	-----	-----	8	-----	4	10.16	7.62	13.38	6.09	5.00	----
	87914-0814	-----	-----	-----	-----	8	-----	4	10.16	7.62	10.92	5.84	2.79	----
	87914-0824	-----	-----	-----	-----	8	-----	4	10.16	7.62	12.25	7.00	2.96	----
	87914-0834	-----	-----	-----	-----	8	-----	4	10.16	7.62	13.38	6.09	5.00	----
D	87914-0815	-----	-----	-----	-----	8	-----	5	10.16	7.62	10.92	5.84	2.79	----
	87914-0825	-----	-----	-----	-----	8	-----	5	10.16	7.62	12.25	7.00	2.96	----
	87914-0835	-----	-----	-----	-----	8	-----	5	10.16	7.62	13.38	6.09	5.00	----
	87914-0816	-----	-----	-----	-----	8	-----	6	10.16	7.62	10.92	5.84	2.79	----
	87914-0826	-----	-----	-----	-----	8	-----	6	10.16	7.62	12.25	7.00	2.96	----
	87914-0836	-----	-----	-----	-----	8	-----	6	10.16	7.62	13.38	6.09	5.00	----
C	87914-0807	-----	-----	-----	-----	8	2,3,4,5,6,8	6	10.16	7.62	21.75	16.51	2.95	----
	-----	-----	-----	-----	87914-0827	8	-----	6	10.16	7.62	13.55	8.08	3.18	14.70

B

<b>PG8. +879140108</b> EC NO: S2010-0695 DRW:ATSEE 2010/02/11 CHKD:PTLIM 2004/12/08 APPR:MLONG 2010/06/05	QUALITY SYMBOLS $F_A=0$ $F_G=0$ $F_P=0$	GENERAL TOLERANCES (UNLESS SPECIFIED) <table border="1" style="width: 100%; border-collapse: collapse;"> <tr> <th></th> <th>mm</th> <th>INCH</th> </tr> <tr> <td>4 PLACES</td> <td>± ---</td> <td>± ---</td> </tr> <tr> <td>3 PLACES</td> <td>± ---</td> <td>± ---</td> </tr> <tr> <td>2 PLACES</td> <td>± 0.20</td> <td>± ---</td> </tr> <tr> <td>1 PLACE</td> <td>± ---</td> <td>± ---</td> </tr> </table>		mm	INCH	4 PLACES	± ---	± ---	3 PLACES	± ---	± ---	2 PLACES	± 0.20	± ---	1 PLACE	± ---	± ---	DIMENSION STYLE <b>MM ONLY</b>	SCALE <b>NTS</b>	DESIGN UNITS <b>METRIC</b>	THIRD ANGLE PROJECTION
		mm	INCH																		
	4 PLACES	± ---	± ---																		
	3 PLACES	± ---	± ---																		
2 PLACES	± 0.20	± ---																			
1 PLACE	± ---	± ---																			
<b>D7</b>	DESCRIPTION REV	DRAFT WHERE APPLICABLE MUST REMAIN WITHIN DIMENSIONS	DRAWN BY KCHO	DATE 2004/11/05	TITLE <b>2.54MM PITCH          DUAL ROW HEADER          SINGLE WAFER, T/H</b>																
		ANGULAR ± 3 °	CHECKED BY PTLIM	DATE 2004/12/08	<b>molex</b> MOLEX INCORPORATED																
			APPROVED BY SCLOW	DATE 2004/12/10	MATERIAL NO. <b>SEE TABLE</b>	DOCUMENT NO. <b>SD-87914-013</b>															

PART NO FOR TRAY PACKAGING	PART NO. FOR TUBE WITHOUT CAP PACKAGING	PART NO. FOR TUBE WITH CAP PACKAGING	PART NO. FOR TAPE & REEL WITHOUT CAP PACKAGING	PART NO. FOR TAPE & REEL WITH CAP PACKAGING	CKT SIZE	VOID POSITION	PLATING TYPE	DIMENSION				
								A	B	F	M	P
F 87914-0841	-----	-----	-----	-----	8	----	1	10.16	7.62	13.51	8.75	2.47
87914-0842	-----	-----	-----	-----	8	----	2	10.16	7.62	13.51	8.75	2.47
87914-0843	-----	-----	-----	-----	8	----	3	10.16	7.62	13.51	8.75	2.47
87914-0844	-----	-----	-----	-----	8	----	4	10.16	7.62	13.51	8.75	2.47
87914-0845	-----	-----	-----	-----	8	----	5	10.16	7.62	13.51	8.75	2.47
87914-0005	-----	-----	-----	-----	8	----	6	10.16	7.62	13.51	8.75	2.47
E 87914-0108	-----	-----	-----	-----	8	----	6	10.16	7.62	16.50	11.11	3.10

--	--	--	--	--	--	--	--	--	--	--	--	--	--	--	--	--	--	--	--

<b>PG8. +879140108</b> EC NO: S2010-0695 DRWN:ATSEE 2010/02/11 CHKD:PTLIM 2004/12/08 APPR:MLONG 2010/06/05 <b>D7</b>	QUALITY SYMBOLS $F_A=0$ $F_G=0$ $F_P=0$	GENERAL TOLERANCES (UNLESS SPECIFIED) <table border="1"> <tr><th colspan="2">mm</th><th>INCH</th></tr> <tr><td>4 PLACES</td><td>± ---</td><td>± ---</td></tr> <tr><td>3 PLACES</td><td>± ---</td><td>± ---</td></tr> <tr><td>2 PLACES</td><td>± 0.20</td><td>± ---</td></tr> <tr><td>1 PLACE</td><td>± ---</td><td>± ---</td></tr> </table>	mm		INCH	4 PLACES	± ---	± ---	3 PLACES	± ---	± ---	2 PLACES	± 0.20	± ---	1 PLACE	± ---	± ---	DIMENSION STYLE <b>MM ONLY</b>	SCALE <b>NTS</b>	DESIGN UNITS <b>METRIC</b>	<b>THIRD ANGLE PROJECTION</b>
	mm		INCH																		
	4 PLACES	± ---	± ---																		
	3 PLACES	± ---	± ---																		
	2 PLACES	± 0.20	± ---																		
1 PLACE	± ---	± ---																			
DRAWN BY: KCHO DATE: 2004/11/05 CHECKED BY: PTLIM DATE: 2004/12/08 APPROVED BY: SCLOW DATE: 2004/12/10		<b>2.54MM PITCH DUAL ROW HEADER SINGLE WAFER, T/H</b>																			
MATERIAL NO.		<b>MOLEX INCORPORATED</b>																			
DRAFT WHERE APPLICABLE MUST REMAIN WITHIN DIMENSIONS		<b>SEE TABLE</b>		DOCUMENT NO. <b>SD-87914-013</b>	SHEET NO. <b>8 OF 46</b>																
SIZE <b>A3</b>		THIS DRAWING CONTAINS INFORMATION THAT IS PROPRIETARY TO MOLEX INCORPORATED AND SHOULD NOT BE USED WITHOUT WRITTEN PERMISSION																			

10		9		8		7		6		5		4		3		2		1	
PART NO FOR TRAY PACKAGING	PART NO. FOR TUBE WITHOUT CAP PACKAGING	PART NO. FOR TUBE WITH CAP PACKAGING	PART NO. FOR TAPE & REEL WITHOUT CAP PACKAGING	PART NO. FOR TAPE & REEL WITH CAP PACKAGING	PART NO. FOR BULK PACKAGING	CKT SIZE	VOID POSITION	PLATING TYPE	DIMENSION										
									A	B	F	M	P	G					
F	87914-1011	-----	-----	-----	-----	10	----	1	12.70	10.16	10.92	5.84	2.79	----					
	87914-1021	-----	-----	-----	-----	10	----	1	12.70	10.16	12.25	7.00	2.96	----					
	87914-1031	-----	-----	-----	-----	10	----	1	12.70	10.16	13.38	6.09	5.00	----					
	87914-1012	-----	-----	-----	-----	10	----	2	12.70	10.16	10.92	5.84	2.79	----					
	87914-1022	-----	-----	-----	-----	10	----	2	12.70	10.16	12.25	7.00	2.96	----					
	87914-1032	-----	-----	-----	-----	10	----	2	12.70	10.16	13.38	6.09	5.00	----					
E	87914-1013	-----	-----	-----	-----	10	----	3	12.70	10.16	10.92	5.84	2.79	----					
	87914-1023	-----	-----	-----	-----	10	----	3	12.70	10.16	12.25	7.00	2.96	----					
	87914-1033	-----	-----	-----	-----	10	----	3	12.70	10.16	13.38	6.09	5.00	----					
	87914-1014	-----	-----	-----	-----	10	----	4	12.70	10.16	10.92	5.84	2.79	----					
	87914-1024	-----	-----	-----	-----	10	----	4	12.70	10.16	12.25	7.00	2.96	----					
	87914-1034	-----	-----	-----	-----	10	----	4	12.70	10.16	13.38	6.09	5.00	----					
D	87914-1015	-----	-----	-----	-----	10	----	5	12.70	10.16	10.92	5.84	2.79	----					
	87914-1025	-----	-----	-----	-----	10	----	5	12.70	10.16	12.25	7.00	2.96	----					
	87914-1035	-----	-----	-----	-----	10	----	5	12.70	10.16	13.38	6.09	5.00	----					
	87914-1016	-----	-----	-----	-----	10	----	6	12.70	10.16	10.92	5.84	2.79	----					
	87914-1026	-----	-----	-----	-----	10	----	6	12.70	10.16	12.25	7.00	2.96	----					
	87914-1036	-----	-----	-----	-----	10	----	6	12.70	10.16	13.38	6.09	5.00	----					
C	87914-0001	-----	-----	-----	-----	10	----	7	12.70	10.16	12.07	5.97	3.81	----					
	-----	-----	-----	-----	87914-1037	10	9	4	12.70	10.16	10.92	5.84	2.79	----					
B																			

<b>PG8, +879140108</b> EC NO: S2010-0695 DRWN:ATSEE 2010/02/11 CHKD:PTLIM 2004/12/08 APPR:MLONG 2010/06/05	QUALITY SYMBOLS	GENERAL TOLERANCES (UNLESS SPECIFIED)	DIMENSION STYLE	SCALE	DESIGN UNITS	THIRD ANGLE PROJECTION															
	$F_A=0$ $F_G=0$ $F_P=0$	<table border="1"> <tr><th colspan="2">mm</th><th>INCH</th></tr> <tr><td>4 PLACES</td><td>± ---</td><td>± ---</td></tr> <tr><td>3 PLACES</td><td>± ---</td><td>± ---</td></tr> <tr><td>2 PLACES</td><td>± 0.20</td><td>± ---</td></tr> <tr><td>1 PLACE</td><td>± ---</td><td>± ---</td></tr> </table>	mm		INCH	4 PLACES	± ---	± ---	3 PLACES	± ---	± ---	2 PLACES	± 0.20	± ---	1 PLACE	± ---	± ---	MM ONLY	NTS	METRIC	
	mm		INCH																		
	4 PLACES	± ---	± ---																		
3 PLACES	± ---	± ---																			
2 PLACES	± 0.20	± ---																			
1 PLACE	± ---	± ---																			
DESCRIPTION	ANGULAR ± 3 °	DRAWN BY DATE	TITLE	<b>2.54MM PITCH          DUAL ROW HEADER          SINGLE WAFER, T/H</b>  <b>MOLEX INCORPORATED</b>																	
REV	DRAFT WHERE APPLICABLE MUST REMAIN WITHIN DIMENSIONS	KCHO 2004/11/05	PTLIM 2004/12/08																		
		APPROVED BY DATE	SCLOW 2004/12/10	MATERIAL NO.	DOCUMENT NO.	SHEET NO.															
			SEE TABLE		SD-87914-013	9 OF 46															
			SIZE A3	THIS DRAWING CONTAINS INFORMATION THAT IS PROPRIETARY TO MOLEX INCORPORATED AND SHOULD NOT BE USED WITHOUT WRITTEN PERMISSION																	

	10	9	8	7	6	5	4	3	2	1			
	PART NO FOR TRAY PACKAGING	PART NO. FOR TUBE WITHOUT CAP PACKAGING	PART NO. FOR TUBE WITH CAP PACKAGING	PART NO. FOR TAPE & REEL WITHOUT CAP PACKAGING	PART NO. FOR TAPE & REEL WITH CAP PACKAGING	CKT SIZE	VOID POSITION	PLATING TYPE	DIMENSION				
								A	B	F	M	P	
F	87914-1211	-----	-----	-----	-----	12	----	1	15.24	12.70	10.92	5.84	2.79
	87914-1221	-----	-----	-----	-----	12	----	1	15.24	12.70	12.25	7.00	2.96
	87914-1231	-----	-----	-----	-----	12	----	1	15.24	12.70	13.38	6.09	5.00
	87914-1212	-----	-----	-----	-----	12	----	2	15.24	12.70	10.92	5.84	2.79
	87914-1222	-----	-----	-----	-----	12	----	2	15.24	12.70	12.25	7.00	2.96
	87914-1232	-----	-----	-----	-----	12	----	2	15.24	12.70	13.38	6.09	5.00
E	87914-1213	-----	-----	-----	-----	12	----	3	15.24	12.70	10.92	5.84	2.79
	87914-1223	-----	-----	-----	-----	12	----	3	15.24	12.70	12.25	7.00	2.96
	87914-1233	-----	-----	-----	-----	12	----	3	15.24	12.70	13.38	6.09	5.00
	87914-1214	-----	-----	-----	-----	12	----	4	15.24	12.70	10.92	5.84	2.79
	87914-1224	-----	-----	-----	-----	12	----	4	15.24	12.70	12.25	7.00	2.96
	87914-1234	-----	-----	-----	-----	12	----	4	15.24	12.70	13.38	6.09	5.00
D	87914-1215	-----	-----	-----	-----	12	----	5	15.24	12.70	10.92	5.84	2.79
	87914-1225	-----	-----	-----	-----	12	----	5	15.24	12.70	12.25	7.00	2.96
	87914-1235	-----	-----	-----	-----	12	----	5	15.24	12.70	13.38	6.09	5.00
	87914-1216	-----	-----	-----	-----	12	----	6	15.24	12.70	10.92	5.84	2.79
	87914-1226	-----	-----	-----	-----	12	----	6	15.24	12.70	12.25	7.00	2.96
	87914-1236	-----	-----	-----	-----	12	----	6	15.24	12.70	13.38	6.09	5.00

C

B

<b>PG8. +879140108</b> EC NO: S2010-0695 DRWN:ATSEE 2010/02/11 CHKD:PTLIM 2004/12/08 APPR:MLONG 2010/06/05	QUALITY SYMBOLS $\nabla_A = 0$ $\nabla_C = 0$ $\nabla_P = 0$	GENERAL TOLERANCES (UNLESS SPECIFIED) <table border="1"> <tr> <th></th> <th>mm</th> <th>INCH</th> </tr> <tr> <td>4 PLACES</td> <td><math>\pm</math> ---</td> <td><math>\pm</math> ---</td> </tr> <tr> <td>3 PLACES</td> <td><math>\pm</math> ---</td> <td><math>\pm</math> ---</td> </tr> <tr> <td>2 PLACES</td> <td><math>\pm 0.20</math></td> <td><math>\pm</math> ---</td> </tr> <tr> <td>1 PLACE</td> <td><math>\pm</math> ---</td> <td><math>\pm</math> ---</td> </tr> </table>		mm	INCH	4 PLACES	$\pm$ ---	$\pm$ ---	3 PLACES	$\pm$ ---	$\pm$ ---	2 PLACES	$\pm 0.20$	$\pm$ ---	1 PLACE	$\pm$ ---	$\pm$ ---	DIMENSION STYLE <b>MM ONLY</b>	SCALE <b>NTS</b>	DESIGN UNITS <b>METRIC</b>	THIRD ANGLE PROJECTION
		mm	INCH																		
	4 PLACES	$\pm$ ---	$\pm$ ---																		
	3 PLACES	$\pm$ ---	$\pm$ ---																		
2 PLACES	$\pm 0.20$	$\pm$ ---																			
1 PLACE	$\pm$ ---	$\pm$ ---																			
DESCRIPTION <b>D7</b>	DRAFT WHERE APPLICABLE MUST REMAIN WITHIN DIMENSIONS	DRAWN BY KCHO	DATE 2004/11/05	TITLE <b>2.54MM PITCH DUAL ROW HEADER SINGLE WAFER, T/H</b>																	
		CHECKED BY PTLIM	DATE 2004/12/08	<b>MOLEX INCORPORATED</b>																	
		APPROVED BY SCLOW	DATE 2004/12/10	MATERIAL NO. <b>SEE TABLE</b>	DOCUMENT NO. <b>SD-87914-013</b>	SHEET NO. <b>10 OF 46</b>															

	10	9	8	7	6	5	4	3	2	1			
	PART NO FOR TRAY PACKAGING	PART NO. FOR TUBE WITHOUT CAP PACKAGING	PART NO. FOR TUBE WITH CAP PACKAGING	PART NO. FOR TAPE & REEL WITHOUT CAP PACKAGING	PART NO. FOR TAPE & REEL WITH CAP PACKAGING	CKT SIZE	VOID POSITION	PLATING TYPE	DIMENSION				
									A	B	F	M	P
F	87914-1251	-----	-----	-----	-----	12	-----	1	15.24	12.70	18.40	13.08	3.03
	87914-1252	-----	-----	-----	-----	12	-----	2	15.24	12.70	18.40	13.08	3.03
	87914-1253	-----	-----	-----	-----	12	-----	3	15.24	12.70	18.40	13.08	3.03
	87914-1254	-----	-----	-----	-----	12	-----	4	15.24	12.70	18.40	13.08	3.03
	87914-1255	-----	-----	-----	-----	12	-----	5	15.24	12.70	18.40	13.08	3.03
	87914-1256	-----	-----	-----	-----	12	-----	6	15.24	12.70	18.40	13.08	3.03
E	87914-1241	-----	-----	-----	-----	12	-----	1	15.24	12.70	12.50	6.95	3.26
	87914-1242	-----	-----	-----	-----	12	-----	2	15.24	12.70	12.50	6.95	3.26
	87914-1243	-----	-----	-----	-----	12	-----	3	15.24	12.70	12.50	6.95	3.26
	87914-1244	-----	-----	-----	-----	12	-----	4	15.24	12.70	12.50	6.95	3.26
	87914-1245	-----	-----	-----	-----	12	-----	5	15.24	12.70	12.50	6.95	3.26
D													
C													
B													

<b>PG8. +879140108</b> EC NO: S2010-0695 DRWN:ATSEE 2010/02/11 CHKD:PTLIM 2004/12/08 APPR:MLONG 2010/06/05 D7	QUALITY SYMBOLS $F_A=0$ $F_G=0$ $F_P=0$	GENERAL TOLERANCES (UNLESS SPECIFIED)		DIMENSION STYLE <b>MM ONLY</b>		SCALE NTS	DESIGN UNITS METRIC	THIRD ANGLE PROJECTION		
						DRAWN BY KCHO	DATE 2004/11/05	TITLE <b>2.54MM PITCH          DUAL ROW HEADER          SINGLE WAFER, T/H</b>		
						CHECKED BY PTLIM	DATE 2004/12/08	APPROVED BY MOLEX INCORPORATED		
						APPROVED BY SCLOW	DATE 2004/12/10	MATERIAL NO. <b>SEE TABLE</b>	DOCUMENT NO. <b>SD-87914-013</b>	SHEET NO. <b>11 OF 46</b>
DRAFT WHERE APPLICABLE MUST REMAIN WITHIN DIMENSIONS				THIS DRAWING CONTAINS INFORMATION THAT IS PROPRIETARY TO MOLEX INCORPORATED AND SHOULD NOT BE USED WITHOUT WRITTEN PERMISSION						

PART NO FOR TRAY PACKAGING	PART NO. FOR TUBE WITHOUT CAP PACKAGING	PART NO. FOR TUBE WITH CAP PACKAGING	PART NO. FOR TAPE & REEL WITHOUT CAP PACKAGING	PART NO. FOR TAPE & REEL WITH CAP PACKAGING	CKT SIZE	VOID POSITION	PLATING TYPE	DIMENSION				
								A	B	F	M	P
								F	87914-1411	-----	-----	-----
	87914-1421	-----	-----	-----	14	-----	1	17.78	15.24	12.25	7.00	2.96
	87914-1431	-----	-----	-----	14	-----	1	17.78	15.24	13.38	6.09	5.00
	87914-1412	-----	-----	-----	14	-----	2	17.78	15.24	10.92	5.84	2.79
	87914-1422	-----	-----	-----	14	-----	2	17.78	15.24	12.25	7.00	2.96
	87914-1432	-----	-----	-----	14	-----	2	17.78	15.24	13.38	6.09	5.00
E	87914-1413	-----	-----	-----	14	-----	3	17.78	15.24	10.92	5.84	2.79
	87914-1423	-----	-----	-----	14	-----	3	17.78	15.24	12.25	7.00	2.96
	87914-1433	-----	-----	-----	14	-----	3	17.78	15.24	13.38	6.09	5.00
	87914-1414	-----	-----	-----	14	-----	4	17.78	15.24	10.92	5.84	2.79
	87914-1424	-----	-----	-----	14	-----	4	17.78	15.24	12.25	7.00	2.96
	87914-1434	-----	-----	-----	14	-----	4	17.78	15.24	13.38	6.09	5.00
D	87914-1415	-----	-----	-----	14	-----	5	17.78	15.24	10.92	5.84	2.79
	87914-1425	-----	-----	-----	14	-----	5	17.78	15.24	12.25	7.00	2.96
	87914-1435	-----	-----	-----	14	-----	5	17.78	15.24	13.38	6.09	5.00
	87914-1416	-----	-----	-----	14	-----	6	17.78	15.24	10.92	5.84	2.79
	87914-1426	-----	-----	-----	14	-----	6	17.78	15.24	12.25	7.00	2.96
	87914-1436	-----	-----	-----	14	-----	6	17.78	15.24	13.38	6.09	5.00
C	87914-0007	-----	-----	-----	14	-----	6	17.78	15.24	13.42	8.08	3.05

B

<b>PG8. +879140108</b> EC NO: S2010-0695 DRWN:ATSEE 2010/02/11 CHKD:PTLIM 2004/12/08 APPR:MLONG 2010/06/05	D7	REV	QUALITY SYMBOLS $\nabla_A = 0$ $\nabla_C = 0$ $\nabla_P = 0$	GENERAL TOLERANCES (UNLESS SPECIFIED) <table border="1" style="width: 100%; border-collapse: collapse;"> <tr> <th></th> <th>mm</th> <th>INCH</th> </tr> <tr> <td>4 PLACES</td> <td>± ---</td> <td>± ---</td> </tr> <tr> <td>3 PLACES</td> <td>± ---</td> <td>± ---</td> </tr> <tr> <td>2 PLACES</td> <td>± 0.20</td> <td>± ---</td> </tr> <tr> <td>1 PLACE</td> <td>± ---</td> <td>± ---</td> </tr> </table>		mm	INCH	4 PLACES	± ---	± ---	3 PLACES	± ---	± ---	2 PLACES	± 0.20	± ---	1 PLACE	± ---	± ---	DIMENSION STYLE <b>MM ONLY</b>	SCALE <b>NTS</b>	DESIGN UNITS <b>METRIC</b>	THIRD ANGLE PROJECTION 
				mm	INCH																		
			4 PLACES	± ---	± ---																		
			3 PLACES	± ---	± ---																		
2 PLACES	± 0.20	± ---																					
1 PLACE	± ---	± ---																					
DRAFT WHERE APPLICABLE MUST REMAIN WITHIN DIMENSIONS				DRAWN BY KCHO	DATE 2004/11/05	<b>2.54MM PITCH DUAL ROW HEADER SINGLE WAFER, T/H</b>  <b>MOLEX INCORPORATED</b>																	
				CHECKED BY PTLIM	DATE 2004/12/08																		
				APPROVED BY SCLOW	DATE 2004/12/10																		
				MATERIAL NO. <b>SEE TABLE</b>	DOCUMENT NO. <b>SD-87914-013</b>	SHEET NO. <b>12 OF 46</b>																	
				SIZE <b>A3</b>	THIS DRAWING CONTAINS INFORMATION THAT IS PROPRIETARY TO MOLEX INCORPORATED AND SHOULD NOT BE USED WITHOUT WRITTEN PERMISSION																		

10 | 9 | 8 | 7 | 6 | 5 | 4 | 3 | 2 | 1

	PART NO FOR TRAY PACKAGING	PART NO. FOR TUBE WITHOUT CAP PACKAGING	PART NO. FOR TUBE WITH CAP PACKAGING	PART NO. FOR TAPE & REEL WITHOUT CAP PACKAGING	PART NO. FOR TAPE & REEL WITH CAP PACKAGING	CKT SIZE	VOID POSITION	PLATING TYPE	DIMENSION				
									A	B	F	M	P
F	87914-1441	-----	-----	-----	-----	14	----	1	17.78	15.24	13.42	8.08	3.05
	87914-1442	-----	-----	-----	-----	14	----	2	17.78	15.24	13.42	8.08	3.05
	87914-1443	-----	-----	-----	-----	14	----	3	17.78	15.24	13.42	8.08	3.05
	87914-1444	-----	-----	-----	-----	14	----	4	17.78	15.24	13.42	8.08	3.05
	87914-1445	-----	-----	-----	-----	14	----	5	17.78	15.24	13.42	8.08	3.05
E													
D													
C													

PG8. +879140108 EC NO: S2010-0695 DRWNATSEE 2010/02/11 CHKD:PTLIM 2004/12/08 APPR:MLONG 2010/06/05 D7	QUALITY SYMBOLS	GENERAL TOLERANCES (UNLESS SPECIFIED)	DIMENSION STYLE MM ONLY	SCALE NTS	DESIGN UNITS METRIC	THIRD ANGLE PROJECTION
	$\nabla_A=0$ $\nabla_G=0$ $\nabla_P=0$	4 PLACES ± --- ± --- 3 PLACES ± --- ± --- 2 PLACES ± 0.20 ± --- 1 PLACE ± --- ± --- ANGULAR ± 3 °	DRAWN BY KCHO	DATE 2004/11/05	TITLE 2.54MM PITCH DUAL ROW HEADER SINGLE WAFER, T/H	
			CHECKED BY PTLIM	DATE 2004/12/08	APPROVED BY SCLOW	
DESCRIPTION	DRAFT WHERE APPLICABLE MUST REMAIN WITHIN DIMENSIONS	SEE TABLE	MATERIAL NO.	SHEET NO. 13 OF 46	THIS DRAWING CONTAINS INFORMATION THAT IS PROPRIETARY TO MOLEX INCORPORATED AND SHOULD NOT BE USED WITHOUT WRITTEN PERMISSION	

PART NO FOR TRAY PACKAGING	PART NO. FOR TUBE WITHOUT CAP PACKAGING	PART NO. FOR TUBE WITH CAP PACKAGING	PART NO. FOR TAPE & REEL WITHOUT CAP PACKAGING	PART NO. FOR TAPE & REEL WITH CAP PACKAGING	CKT SIZE	VOID POSITION	PLATING TYPE	DIMENSION				
								A	B	F	M	P
								F	87914-1611	-----	-----	-----
	87914-1621	-----	-----	-----	16	-----	1	20.32	17.78	12.25	7.00	2.96
	87914-1631	-----	-----	-----	16	-----	1	20.32	17.78	13.38	6.09	5.00
	87914-1612	-----	-----	-----	16	-----	2	20.32	17.78	10.92	5.84	2.79
	87914-1622	-----	-----	-----	16	-----	2	20.32	17.78	12.25	7.00	2.96
	87914-1632	-----	-----	-----	16	-----	2	20.32	17.78	13.38	6.09	5.00
E	87914-1613	-----	-----	-----	16	-----	3	20.32	17.78	10.92	5.84	2.79
	87914-1623	-----	-----	-----	16	-----	3	20.32	17.78	12.25	7.00	2.96
	87914-1633	-----	-----	-----	16	-----	3	20.32	17.78	13.38	6.09	5.00
	87914-1614	-----	-----	-----	16	-----	4	20.32	17.78	10.92	5.84	2.79
	87914-1624	-----	-----	-----	16	-----	4	20.32	17.78	12.25	7.00	2.96
	87914-1634	-----	-----	-----	16	-----	4	20.32	17.78	13.38	6.09	5.00
D	87914-1615	-----	-----	-----	16	-----	5	20.32	17.78	10.92	5.84	2.79
	87914-1625	-----	-----	-----	16	-----	5	20.32	17.78	12.25	7.00	2.96
	87914-1635	-----	-----	-----	16	-----	5	20.32	17.78	13.38	6.09	5.00
	87914-1616	-----	-----	-----	16	-----	6	20.32	17.78	10.92	5.84	2.79
	87914-1626	-----	-----	-----	16	-----	6	20.32	17.78	12.25	7.00	2.96
	87914-1636	-----	-----	-----	16	-----	6	20.32	17.78	13.38	6.09	5.00
C	87914-1600	-----	-----	-----	16	-----	6	20.32	17.78	9.49	4.50	2.70
B												

<b>PG8, +879140108</b> EC NO: S2010-0695 DRWN:ATSEE 2010/02/11 CHKD:PTLIM 2004/12/08 APPR:MLONG 2010/06/05 <b>D7</b>	QUALITY SYMBOLS $F_A=0$ $F_G=0$ $F_P=0$	GENERAL TOLERANCES (UNLESS SPECIFIED)		DIMENSION STYLE <b>MM ONLY</b>		SCALE NTS	DESIGN UNITS METRIC	THIRD ANGLE PROJECTION		
				DRAWN BY KCHO	DATE 2004/11/05	TITLE <b>2.54MM PITCH DUAL ROW HEADER SINGLE WAFER, T/H</b>				
				CHECKED BY PTLIM	DATE 2004/12/08	APPROVED BY SCLOW				
				MATERIAL NO. <b>SEE TABLE</b>		DATE 2004/12/10	DOCUMENT NO. <b>SD-87914-013</b>		SHEET NO. 14 OF 46	
DRAFT WHERE APPLICABLE MUST REMAIN WITHIN DIMENSIONS										
THIS DRAWING CONTAINS INFORMATION THAT IS PROPRIETARY TO MOLEX INCORPORATED AND SHOULD NOT BE USED WITHOUT WRITTEN PERMISSION										



F	10		9		8		7		6		5		4		3		2		1	
	PART NO FOR TRAY PACKAGING	PART NO. FOR TUBE WITHOUT CAP PACKAGING	PART NO. FOR TUBE WITH CAP PACKAGING	PART NO. FOR TAPE & REEL WITHOUT CAP PACKAGING	PART NO. FOR TAPE & REEL WITH CAP PACKAGING	CKT SIZE	VOID POSITION	PLATING TYPE	DIMENSION											
									A	B	F	M	P							
	87914-1811	-----	-----	-----	-----	18	----	1	22.86	20.32	10.92	5.84	2.79							
	87914-1821	-----	-----	-----	-----	18	----	1	22.86	20.32	12.25	7.00	2.96							
	87914-1831	-----	-----	-----	-----	18	----	1	22.86	20.32	13.38	6.09	5.00							
	87914-1812	-----	-----	-----	-----	18	----	2	22.86	20.32	10.92	5.84	2.79							
	87914-1822	-----	-----	-----	-----	18	----	2	22.86	20.32	12.25	7.00	2.96							
	87914-1832	-----	-----	-----	-----	18	----	2	22.86	20.32	13.38	6.09	5.00							
E	87914-1813	-----	-----	-----	-----	18	----	3	22.86	20.32	10.92	5.84	2.79							
	87914-1823	-----	-----	-----	-----	18	----	3	22.86	20.32	12.25	7.00	2.96							
	87914-1833	-----	-----	-----	-----	18	----	3	22.86	20.32	13.38	6.09	5.00							
	87914-1814	-----	-----	-----	-----	18	----	4	22.86	20.32	10.92	5.84	2.79							
	87914-1824	-----	-----	-----	-----	18	----	4	22.86	20.32	12.25	7.00	2.96							
	87914-1834	-----	-----	-----	-----	18	----	4	22.86	20.32	13.38	6.09	5.00							
D	87914-1815	-----	-----	-----	-----	18	----	5	22.86	20.32	10.92	5.84	2.79							
	87914-1825	-----	-----	-----	-----	18	----	5	22.86	20.32	12.25	7.00	2.96							
	87914-1835	-----	-----	-----	-----	18	----	5	22.86	20.32	13.38	6.09	5.00							
	87914-1816	-----	-----	-----	-----	18	----	6	22.86	20.32	10.92	5.84	2.79							
	87914-1826	-----	-----	-----	-----	18	----	6	22.86	20.32	12.25	7.00	2.96							
	87914-1836	-----	-----	-----	-----	18	----	6	22.86	20.32	13.38	6.09	5.00							
C																				
B																				

<b>PG8. +879140108</b> EC NO: S2010-0695 DRWN:ATSEE 2010/02/11 CHKD:PTLIM 2004/12/08 APPR:MLONG 2010/06/05 <b>D7</b>	QUALITY SYMBOLS	GENERAL TOLERANCES (UNLESS SPECIFIED)	DIMENSION STYLE	SCALE	DESIGN UNITS	THIRD ANGLE PROJECTION															
	$F_A=0$ $F_G=0$ $F_P=0$	<table border="1"> <tr><th colspan="2">mm</th><th>INCH</th></tr> <tr><td>4 PLACES</td><td>± ---</td><td>± ---</td></tr> <tr><td>3 PLACES</td><td>± ---</td><td>± ---</td></tr> <tr><td>2 PLACES</td><td>± 0.20</td><td>± ---</td></tr> <tr><td>1 PLACE</td><td>± ---</td><td>± ---</td></tr> </table>	mm		INCH	4 PLACES	± ---	± ---	3 PLACES	± ---	± ---	2 PLACES	± 0.20	± ---	1 PLACE	± ---	± ---	<b>MM ONLY</b> DRAWN BY: KCHO DATE: 2004/11/05 CHECKED BY: PTLIM DATE: 2004/12/08 APPROVED BY: SCLOW DATE: 2004/12/10	NTS	METRIC	
	mm		INCH																		
	4 PLACES	± ---	± ---																		
	3 PLACES	± ---	± ---																		
2 PLACES	± 0.20	± ---																			
1 PLACE	± ---	± ---																			
	ANGULAR ± 3 °		TITLE			2.54MM PITCH DUAL ROW HEADER SINGLE WAFER, T/H															
	DRAFT WHERE APPLICABLE MUST REMAIN WITHIN DIMENSIONS		MATERIAL NO.			MOLEX INCORPORATED															
			SEE TABLE			DOCUMENT NO. SD-87914-013															
			SIZE <b>A3</b>	THIS DRAWING CONTAINS INFORMATION THAT IS PROPRIETARY TO MOLEX INCORPORATED AND SHOULD NOT BE USED WITHOUT WRITTEN PERMISSION		SHEET NO. 15 OF 46															

PART NO FOR TRAY PACKAGING	PART NO. FOR TUBE WITHOUT CAP PACKAGING	PART NO. FOR TUBE WITH CAP PACKAGING	PART NO. FOR TAPE & REEL WITHOUT CAP PACKAGING	PART NO. FOR TAPE & REEL WITH CAP PACKAGING	CKT SIZE	VOID POSITION	PLATING TYPE	DIMENSION				
								A	B	F	M	P
								F	87914-2011	-----	-----	-----
	87914-2021	-----	-----	-----	20	----	1	25.40	22.86	12.25	7.00	2.96
	87914-2031	-----	-----	-----	20	----	1	25.40	22.86	13.38	6.09	5.00
	87914-2012	-----	-----	-----	20	----	2	25.40	22.86	10.92	5.84	2.79
	87914-2022	-----	-----	-----	20	----	2	25.40	22.86	12.25	7.00	2.96
	87914-2032	-----	-----	-----	20	----	2	25.40	22.86	13.38	6.09	5.00
E	87914-2013	-----	-----	-----	20	----	3	25.40	22.86	10.92	5.84	2.79
	87914-2023	-----	-----	-----	20	----	3	25.40	22.86	12.25	7.00	2.96
	87914-2033	-----	-----	-----	20	----	3	25.40	22.86	13.38	6.09	5.00
	87914-2014	-----	-----	-----	20	----	4	25.40	22.86	10.92	5.84	2.79
	87914-2024	-----	-----	-----	20	----	4	25.40	22.86	12.25	7.00	2.96
	87914-2034	-----	-----	-----	20	----	4	25.40	22.86	13.38	6.09	5.00
D	87914-2015	-----	-----	-----	20	----	5	25.40	22.86	10.92	5.84	2.79
	87914-2025	-----	-----	-----	20	----	5	25.40	22.86	12.25	7.00	2.96
	87914-2035	-----	-----	-----	20	----	5	25.40	22.86	13.38	6.09	5.00
	87914-2016	-----	-----	-----	20	----	6	25.40	22.86	10.92	5.84	2.79
	87914-2026	-----	-----	-----	20	----	6	25.40	22.86	12.25	7.00	2.96
	87914-2036	-----	-----	-----	20	----	6	25.40	22.86	13.38	6.09	5.00
C												
B												

<b>PG8. +879140108</b> EC NO: S2010-0695 DRWN:ATSEE 2010/02/11 CHKD:PTLIM 2004/12/08 APPR:MLONG 2010/06/05 <b>D7</b>	QUALITY SYMBOLS	GENERAL TOLERANCES (UNLESS SPECIFIED)	DIMENSION STYLE	SCALE	DESIGN UNITS	THIRD ANGLE PROJECTION															
	$F_A=0$ $F_G=0$ $F_P=0$	<table border="1"> <tr><th colspan="2">mm</th><th>INCH</th></tr> <tr><td>4 PLACES</td><td>± ---</td><td>± ---</td></tr> <tr><td>3 PLACES</td><td>± ---</td><td>± ---</td></tr> <tr><td>2 PLACES</td><td>± 0.20</td><td>± ---</td></tr> <tr><td>1 PLACE</td><td>± ---</td><td>± ---</td></tr> </table>	mm		INCH	4 PLACES	± ---	± ---	3 PLACES	± ---	± ---	2 PLACES	± 0.20	± ---	1 PLACE	± ---	± ---	<b>MM ONLY</b> DRAWN BY: KCHO CHECKED BY: PTLIM APPROVED BY: SCLOW	DATE: 2004/11/05 DATE: 2004/12/08 DATE: 2004/12/10	NTS METRIC	
	mm		INCH																		
	4 PLACES	± ---	± ---																		
	3 PLACES	± ---	± ---																		
2 PLACES	± 0.20	± ---																			
1 PLACE	± ---	± ---																			
	ANGULAR ± 3 °	DRAWN BY: KCHO CHECKED BY: PTLIM APPROVED BY: SCLOW MATERIAL NO.	DATE: 2004/11/05 DATE: 2004/12/08 DATE: 2004/12/10 DOCUMENT NO.	<b>2.54MM PITCH DUAL ROW HEADER SINGLE WAFER, T/H</b> <b>MOLEX INCORPORATED</b>		SHEET NO.															
	DRAFT WHERE APPLICABLE MUST REMAIN WITHIN DIMENSIONS	<b>SEE TABLE</b>	<b>SD-87914-013</b>		16 OF 46																
			SIZE: <b>A3</b> THIS DRAWING CONTAINS INFORMATION THAT IS PROPRIETARY TO MOLEX INCORPORATED AND SHOULD NOT BE USED WITHOUT WRITTEN PERMISSION																		

	10	9	8	7	6	5	4	3	2	1			
	PART NO FOR TRAY PACKAGING	PART NO. FOR TUBE WITHOUT CAP PACKAGING	PART NO. FOR TUBE WITH CAP PACKAGING	PART NO. FOR TAPE & REEL WITHOUT CAP PACKAGING	PART NO. FOR TAPE & REEL WITH CAP PACKAGING	CKT SIZE	VOID POSITION	PLATING TYPE	DIMENSION				
									A	B	F	M	P
F	87914-2211	-----	-----	-----	-----	22	----	1	27.94	25.40	10.92	5.84	2.79
	87914-2221	-----	-----	-----	-----	22	----	1	27.94	25.40	12.25	7.00	2.96
	87914-2231	-----	-----	-----	-----	22	----	1	27.94	25.40	13.38	6.09	5.00
	87914-2212	-----	-----	-----	-----	22	----	2	27.94	25.40	10.92	5.84	2.79
	87914-2222	-----	-----	-----	-----	22	----	2	27.94	25.40	12.25	7.00	2.96
	87914-2232	-----	-----	-----	-----	22	----	2	27.94	25.40	13.38	6.09	5.00
E	87914-2213	-----	-----	-----	-----	22	----	3	27.94	25.40	10.92	5.84	2.79
	87914-2223	-----	-----	-----	-----	22	----	3	27.94	25.40	12.25	7.00	2.96
	87914-2233	-----	-----	-----	-----	22	----	3	27.94	25.40	13.38	6.09	5.00
	87914-2214	-----	-----	-----	-----	22	----	4	27.94	25.40	10.92	5.84	2.79
	87914-2224	-----	-----	-----	-----	22	----	4	27.94	25.40	12.25	7.00	2.96
	87914-2234	-----	-----	-----	-----	22	----	4	27.94	25.40	13.38	6.09	5.00
D	87914-2215	-----	-----	-----	-----	22	----	5	27.94	25.40	10.92	5.84	2.79
	87914-2225	-----	-----	-----	-----	22	----	5	27.94	25.40	12.25	7.00	2.96
	87914-2235	-----	-----	-----	-----	22	----	5	27.94	25.40	13.38	6.09	5.00
	87914-2216	-----	-----	-----	-----	22	----	6	27.94	25.40	10.92	5.84	2.79
	87914-2226	-----	-----	-----	-----	22	----	6	27.94	25.40	12.25	7.00	2.96
	87914-2236	-----	-----	-----	-----	22	----	6	27.94	25.40	13.38	6.09	5.00
C													
B													

<b>PG8. +879140108</b> EC NO: S2010-0695 DRW:ATSEE 2010/02/11 CHKD:PTLIM 2004/12/08 APPR:MLONG 2010/06/05	QUALITY SYMBOLS	GENERAL TOLERANCES (UNLESS SPECIFIED)	DIMENSION STYLE	SCALE	DESIGN UNITS	THIRD ANGLE PROJECTION
	$F_A=0$ $F_G=0$ $F_P=0$	mm      INCH 4 PLACES ± --- ± --- 3 PLACES ± --- ± --- 2 PLACES ± 0.20 ± --- 1 PLACE ± --- ± ---	MM ONLY	NTS	METRIC	
	DESCRIPTION	ANGULAR ± 3°	DRAWN BY: KCHO      DATE: 2004/11/05 CHECKED BY: PTLIM      DATE: 2004/12/08 APPROVED BY: SCLOW      DATE: 2004/12/10	TITLE: 2.54MM PITCH DUAL ROW HEADER SINGLE WAFER, T/H		
	REV	DRAFT WHERE APPLICABLE MUST REMAIN WITHIN DIMENSIONS	SEE TABLE	MOLEX INCORPORATED MATERIAL NO.      DOCUMENT NO.		
	D7			SIZE: THIS DRAWING CONTAINS INFORMATION THAT IS PROPRIETARY TO MOLEX INCORPORATED AND SHOULD NOT BE USED WITHOUT WRITTEN PERMISSION		SHEET NO. 17 OF 46

	10		9		8		7		6		5		4		3		2		1	
	PART NO. FOR TRAY PACKAGING	PART NO. FOR TUBE WITHOUT CAP PACKAGING	PART NO. FOR TUBE WITH CAP PACKAGING	PART NO. FOR TAPE & REEL WITHOUT CAP PACKAGING	PART NO. FOR TAPE & REEL WITH CAP PACKAGING	CKT SIZE	VOID POSITION	PLATING TYPE	DIMENSION											
									A	B	F	M	P							
F	87914-2411	-----	-----	-----	-----	24	-----	1	30.48	27.94	10.92	5.84	2.79							
	87914-2421	-----	-----	-----	-----	24	-----	1	30.48	27.94	12.25	7.00	2.96							
	87914-2431	-----	-----	-----	-----	24	-----	1	30.48	27.94	13.38	6.09	5.00							
	87914-2412	-----	-----	-----	-----	24	-----	2	30.48	27.94	10.92	5.84	2.79							
	87914-2422	-----	-----	-----	-----	24	-----	2	30.48	27.94	12.25	7.00	2.96							
	87914-2432	-----	-----	-----	-----	24	-----	2	30.48	27.94	13.38	6.09	5.00							
E	87914-2413	-----	-----	-----	-----	24	-----	3	30.48	27.94	10.92	5.84	2.79							
	87914-2423	-----	-----	-----	-----	24	-----	3	30.48	27.94	12.25	7.00	2.96							
	87914-2433	-----	-----	-----	-----	24	-----	3	30.48	27.94	13.38	6.09	5.00							
	87914-2414	-----	-----	-----	-----	24	-----	4	30.48	27.94	10.92	5.84	2.79							
	87914-2424	-----	-----	-----	-----	24	-----	4	30.48	27.94	12.25	7.00	2.96							
	87914-2434	-----	-----	-----	-----	24	-----	4	30.48	27.94	13.38	6.09	5.00							
D	87914-2415	-----	-----	-----	-----	24	-----	5	30.48	27.94	10.92	5.84	2.79							
	87914-2425	-----	-----	-----	-----	24	-----	5	30.48	27.94	12.25	7.00	2.96							
	87914-2435	-----	-----	-----	-----	24	-----	5	30.48	27.94	13.38	6.09	5.00							
	87914-2416	-----	-----	-----	-----	24	-----	6	30.48	27.94	10.92	5.84	2.79							
	87914-2426	-----	-----	-----	-----	24	-----	6	30.48	27.94	12.25	7.00	2.96							
	87914-2436	-----	-----	-----	-----	24	-----	6	30.48	27.94	13.38	6.09	5.00							
C																				
B																				

PG8. +879140108 EC NO: S2010-0695 DRWN:ATSEE 2010/02/11 CHKD:PTLIM 2004/12/08 APPR:MLONG 2010/06/05	QUALITY SYMBOLS $\sqrt{F_A}=0$ $\sqrt{F_C}=0$ $\sqrt{F_P}=0$	GENERAL TOLERANCES (UNLESS SPECIFIED) mm INCH 4 PLACES $\pm$ --- $\pm$ --- 3 PLACES $\pm$ --- $\pm$ --- 2 PLACES $\pm$ 0.20 $\pm$ --- 1 PLACE $\pm$ --- $\pm$ --- ANGULAR $\pm$ 3 °	DIMENSION STYLE MM ONLY	SCALE NTS	DESIGN UNITS METRIC	THIRD ANGLE PROJECTION
			DRAWN BY KCHO DATE 2004/11/05	TITLE 2.54MM PITCH DUAL ROW HEADER SINGLE WAFER, T/H		
			CHECKED BY PTLIM DATE 2004/12/08	APPROVED BY SCLOW DATE 2004/12/10		
DRAFT WHERE APPLICABLE MUST REMAIN WITHIN DIMENSIONS	SIZE A3	MATERIAL NO. SEE TABLE	DOCUMENT NO. SD-87914-013	SHEET NO. 18 OF 46	THIS DRAWING CONTAINS INFORMATION THAT IS PROPRIETARY TO MOLEX INCORPORATED AND SHOULD NOT BE USED WITHOUT WRITTEN PERMISSION	

PART NO FOR TRAY PACKAGING	PART NO. FOR TUBE WITHOUT CAP PACKAGING	PART NO. FOR TUBE WITH CAP PACKAGING	PART NO. FOR TAPE & REEL WITHOUT CAP PACKAGING	PART NO. FOR TAPE & REEL WITH CAP PACKAGING	CKT SIZE	VOID POSITION	PLATING TYPE	DIMENSION				
								A	B	F	M	P
								F	87914-2611	-----	-----	-----
	87914-2621	-----	-----	-----	26	----	1	33.02	30.48	12.25	7.00	2.96
	87914-2631	-----	-----	-----	26	----	1	33.02	30.48	13.38	6.09	5.00
	87914-2612	-----	-----	-----	26	----	2	33.02	30.48	10.92	5.84	2.79
	87914-2622	-----	-----	-----	26	----	2	33.02	30.48	12.25	7.00	2.96
	87914-2632	-----	-----	-----	26	----	2	33.02	30.48	13.38	6.09	5.00
E	87914-2613	-----	-----	-----	26	----	3	33.02	30.48	10.92	5.84	2.79
	87914-2623	-----	-----	-----	26	----	3	33.02	30.48	12.25	7.00	2.96
	87914-2633	-----	-----	-----	26	----	3	33.02	30.48	13.38	6.09	5.00
	87914-2614	-----	-----	-----	26	----	4	33.02	30.48	10.92	5.84	2.79
	87914-2624	-----	-----	-----	26	----	4	33.02	30.48	12.25	7.00	2.96
	87914-2634	-----	-----	-----	26	----	4	33.02	30.48	13.38	6.09	5.00
D	87914-2615	-----	-----	-----	26	----	5	33.02	30.48	10.92	5.84	2.79
	87914-2625	-----	-----	-----	26	----	5	33.02	30.48	12.25	7.00	2.96
	87914-2635	-----	-----	-----	26	----	5	33.02	30.48	13.38	6.09	5.00
	87914-2616	-----	-----	-----	26	----	6	33.02	30.48	10.92	5.84	2.79
	87914-2626	-----	-----	-----	26	----	6	33.02	30.48	12.25	7.00	2.96
	87914-2636	-----	-----	-----	26	----	6	33.02	30.48	13.38	6.09	5.00
C												
B												

<b>PG8. +879140108</b> EC NO: S2010-0695 DRWN:ATSEE 2010/02/11 CHKD:PTLIM 2004/12/08 APPR:MLONG 2010/06/05 D7	QUALITY SYMBOLS $F_A=0$ $F_C=0$ $F_P=0$	GENERAL TOLERANCES (UNLESS SPECIFIED)		DIMENSION STYLE <b>MM ONLY</b>		SCALE NTS	DESIGN UNITS METRIC	THIRD ANGLE PROJECTION		
			mm      INCH	DRAWN BY KCHO	DATE 2004/11/05	TITLE <b>2.54MM PITCH          DUAL ROW HEADER          SINGLE WAFER, T/H</b>				
			4 PLACES ± --- ± --- 3 PLACES ± --- ± --- 2 PLACES ± 0.20 ± --- 1 PLACE ± --- ± ---	CHECKED BY PTLIM	DATE 2004/12/08	MOLEX INCORPORATED				
			ANGULAR ± 3 °	APPROVED BY SCLOW	DATE 2004/12/10	MATERIAL NO. <b>SEE TABLE</b>	DOCUMENT NO. <b>SD-87914-013</b>	SHEET NO. 19 OF 46		
DRAFT WHERE APPLICABLE MUST REMAIN WITHIN DIMENSIONS		THIS DRAWING CONTAINS INFORMATION THAT IS PROPRIETARY TO MOLEX INCORPORATED AND SHOULD NOT BE USED WITHOUT WRITTEN PERMISSION								

PART NO FOR TRAY PACKAGING	PART NO. FOR TUBE WITHOUT CAP PACKAGING	PART NO. FOR TUBE WITH CAP PACKAGING	PART NO. FOR TAPE & REEL WITHOUT CAP PACKAGING	PART NO. FOR TAPE & REEL WITH CAP PACKAGING	CKT SIZE	VOID POSITION	PLATING TYPE	DIMENSION				
								A	B	F	M	P
								F	87914-2811	-----	-----	-----
	87914-2821	-----	-----	-----	28	-----	1	35.56	33.02	12.25	7.00	2.96
	87914-2831	-----	-----	-----	28	-----	1	35.56	33.02	13.38	6.09	5.00
	87914-2812	-----	-----	-----	28	-----	2	35.56	33.02	10.92	5.84	2.79
	87914-2822	-----	-----	-----	28	-----	2	35.56	33.02	12.25	7.00	2.96
	87914-2832	-----	-----	-----	28	-----	2	35.56	33.02	13.38	6.09	5.00
E	87914-2813	-----	-----	-----	28	-----	3	35.56	33.02	10.92	5.84	2.79
	87914-2823	-----	-----	-----	28	-----	3	35.56	33.02	12.25	7.00	2.96
	87914-2833	-----	-----	-----	28	-----	3	35.56	33.02	13.38	6.09	5.00
	87914-2814	-----	-----	-----	28	-----	4	35.56	33.02	10.92	5.84	2.79
	87914-2824	-----	-----	-----	28	-----	4	35.56	33.02	12.25	7.00	2.96
	87914-2834	-----	-----	-----	28	-----	4	35.56	33.02	13.38	6.09	5.00
D	87914-2815	-----	-----	-----	28	-----	5	35.56	33.02	10.92	5.84	2.79
	87914-2825	-----	-----	-----	28	-----	5	35.56	33.02	12.25	7.00	2.96
	87914-2835	-----	-----	-----	28	-----	5	35.56	33.02	13.38	6.09	5.00
	87914-2816	-----	-----	-----	28	-----	6	35.56	33.02	10.92	5.84	2.79
	87914-2826	-----	-----	-----	28	-----	6	35.56	33.02	12.25	7.00	2.96
	87914-2836	-----	-----	-----	28	-----	6	35.56	33.02	13.38	6.09	5.00
C												
B												

<b>PG8. +879140108</b> EC NO: S2010-0695 DRWN:ATSEE 2010/02/11 CHKD:PTLIM 2004/12/08 APPR:MLONG 2010/06/05 D7	QUALITY SYMBOLS $F_A=0$ $F_G=0$ $F_P=0$	GENERAL TOLERANCES (UNLESS SPECIFIED) <table border="1"> <tr> <th></th> <th>mm</th> <th>INCH</th> </tr> <tr> <td>4 PLACES</td> <td>± ---</td> <td>± ---</td> </tr> <tr> <td>3 PLACES</td> <td>± ---</td> <td>± ---</td> </tr> <tr> <td>2 PLACES</td> <td>± 0.20</td> <td>± ---</td> </tr> <tr> <td>1 PLACE</td> <td>± ---</td> <td>± ---</td> </tr> </table>		mm	INCH	4 PLACES	± ---	± ---	3 PLACES	± ---	± ---	2 PLACES	± 0.20	± ---	1 PLACE	± ---	± ---	DIMENSION STYLE <b>MM ONLY</b>	SCALE <b>NTS</b>	DESIGN UNITS <b>METRIC</b>	THIRD ANGLE PROJECTION
		mm	INCH																		
	4 PLACES	± ---	± ---																		
	3 PLACES	± ---	± ---																		
2 PLACES	± 0.20	± ---																			
1 PLACE	± ---	± ---																			
DRAWN BY KCHO	DATE 2004/11/05	TITLE <b>2.54MM PITCH DUAL ROW HEADER SINGLE WAFER, T/H</b>																			
CHECKED BY PTLIM	DATE 2004/12/08	<b>MOLEX INCORPORATED</b>																			
APPROVED BY SCLOW	DATE 2004/12/10	MATERIAL NO. <b>SEE TABLE</b>																			
DRAFT WHERE APPLICABLE MUST REMAIN WITHIN DIMENSIONS	SIZE <b>A3</b>	THIS DRAWING CONTAINS INFORMATION THAT IS PROPRIETARY TO MOLEX INCORPORATED AND SHOULD NOT BE USED WITHOUT WRITTEN PERMISSION																			
		DOCUMENT NO. <b>SD-87914-013</b>	SHEET NO. <b>20 OF 46</b>																		

PART NO FOR TRAY PACKAGING	PART NO. FOR TUBE WITHOUT CAP PACKAGING	PART NO. FOR TUBE WITH CAP PACKAGING	PART NO. FOR TAPE & REEL WITHOUT CAP PACKAGING	PART NO. FOR TAPE & REEL WITH CAP PACKAGING	CKT SIZE	VOID POSITION	PLATING TYPE	DIMENSION				
								A	B	F	M	P
								F	87914-3011	-----	-----	-----
	87914-3021	-----	-----	-----	30	----	1	38.10	35.56	12.25	7.00	2.96
	87914-3031	-----	-----	-----	30	----	1	38.10	35.56	13.38	6.09	5.00
	87914-3012	-----	-----	-----	30	----	2	38.10	35.56	10.92	5.84	2.79
	87914-3022	-----	-----	-----	30	----	2	38.10	35.56	12.25	7.00	2.96
	87914-3032	-----	-----	-----	30	----	2	38.10	35.56	13.38	6.09	5.00
E	87914-3013	-----	-----	-----	30	----	3	38.10	35.56	10.92	5.84	2.79
	87914-3023	-----	-----	-----	30	----	3	38.10	35.56	12.25	7.00	2.96
	87914-3033	-----	-----	-----	30	----	3	38.10	35.56	13.38	6.09	5.00
	87914-3014	-----	-----	-----	30	----	4	38.10	35.56	10.92	5.84	2.79
	87914-3024	-----	-----	-----	30	----	4	38.10	35.56	12.25	7.00	2.96
	87914-3034	-----	-----	-----	30	----	4	38.10	35.56	13.38	6.09	5.00
D	87914-3015	-----	-----	-----	30	----	5	38.10	35.56	10.92	5.84	2.79
	87914-3025	-----	-----	-----	30	----	5	38.10	35.56	12.25	7.00	2.96
	87914-3035	-----	-----	-----	30	----	5	38.10	35.56	13.38	6.09	5.00
	87914-3016	-----	-----	-----	30	----	6	38.10	35.56	10.92	5.84	2.79
	87914-3026	-----	-----	-----	30	----	6	38.10	35.56	12.25	7.00	2.96
	87914-3036	-----	-----	-----	30	----	6	38.10	35.56	13.38	6.09	5.00
C												
B												

<b>PG8. +879140108</b> EC NO: S2010-0695 DRWN:ATSEE 2010/02/11 CHKD:PTLIM 2004/12/08 APPR:MLONG 2010/06/05 REV D7	QUALITY SYMBOLS	GENERAL TOLERANCES (UNLESS SPECIFIED)	DIMENSION STYLE	SCALE	DESIGN UNITS	THIRD ANGLE PROJECTION	
	$F_A=0$ $F_G=0$ $F_P=0$	mm INCH 4 PLACES ± --- ± --- 3 PLACES ± --- ± --- 2 PLACES ± 0.20 ± --- 1 PLACE ± --- ± --- ANGULAR ± 3 °	MM ONLY	NTS	METRIC		
		DRAFT WHERE APPLICABLE MUST REMAIN WITHIN DIMENSIONS	DRAWN BY DATE KCHO 2004/11/05 CHECKED BY DATE PTLIM 2004/12/08 APPROVED BY DATE SCLOW 2004/12/10	TITLE	2.54MM PITCH DUAL ROW HEADER SINGLE WAFER, T/H MOLEX INCORPORATED		
			SEE TABLE	MATERIAL NO.	DOCUMENT NO.	SHEET NO.	

F	10	9	8	7	6	5	4	3	2	1			
	PART NO FOR TRAY PACKAGING	PART NO. FOR TUBE WITHOUT CAP PACKAGING	PART NO. FOR TUBE WITH CAP PACKAGING	PART NO. FOR TAPE & REEL WITHOUT CAP PACKAGING	PART NO. FOR TAPE & REEL WITH CAP PACKAGING	CKT SIZE	VOID POSITION	PLATING TYPE	DIMENSION				
									A	B	F	M	P
	87914-3211	-----	-----	-----	-----	32	----	1	40.64	38.10	10.92	5.84	2.79
	87914-3221	-----	-----	-----	-----	32	----	1	40.64	38.10	12.25	7.00	2.96
	87914-3231	-----	-----	-----	-----	32	----	1	40.64	38.10	13.38	6.09	5.00
	87914-3212	-----	-----	-----	-----	32	----	2	40.64	38.10	10.92	5.84	2.79
	87914-3222	-----	-----	-----	-----	32	----	2	40.64	38.10	12.25	7.00	2.96
	87914-3232	-----	-----	-----	-----	32	----	2	40.64	38.10	13.38	6.09	5.00
E	87914-3213	-----	-----	-----	-----	32	----	3	40.64	38.10	10.92	5.84	2.79
	87914-3223	-----	-----	-----	-----	32	----	3	40.64	38.10	12.25	7.00	2.96
	87914-3233	-----	-----	-----	-----	32	----	3	40.64	38.10	13.38	6.09	5.00
	87914-3214	-----	-----	-----	-----	32	----	4	40.64	38.10	10.92	5.84	2.79
	87914-3224	-----	-----	-----	-----	32	----	4	40.64	38.10	12.25	7.00	2.96
	87914-3234	-----	-----	-----	-----	32	----	4	40.64	38.10	13.38	6.09	5.00
D	87914-3215	-----	-----	-----	-----	32	----	5	40.64	38.10	10.92	5.84	2.79
	87914-3225	-----	-----	-----	-----	32	----	5	40.64	38.10	12.25	7.00	2.96
	87914-3235	-----	-----	-----	-----	32	----	5	40.64	38.10	13.38	6.09	5.00
	87914-3216	-----	-----	-----	-----	32	----	6	40.64	38.10	10.92	5.84	2.79
	87914-3226	-----	-----	-----	-----	32	----	6	40.64	38.10	12.25	7.00	2.96
	87914-3236	-----	-----	-----	-----	32	----	6	40.64	38.10	13.38	6.09	5.00
C													
B													

<b>PG8. +879140108</b> EC NO: S2010-0695 DRWN:ATSEE 2010/02/11 CHKD:PTLIM 2004/12/08 APPR:MLONG 2010/06/05 D7	QUALITY SYMBOLS $F_A=0$ $F_C=0$ $F_P=0$	GENERAL TOLERANCES (UNLESS SPECIFIED) mm      INCH		DIMENSION STYLE <b>MM ONLY</b>		SCALE <b>NTS</b>	DESIGN UNITS <b>METRIC</b>	THIRD ANGLE PROJECTION				
		4 PLACES    ± ---    ± --- 3 PLACES    ± ---    ± --- 2 PLACES    ± 0.20    ± --- 1 PLACE      ± ---    ± ---	DRAWN BY KCHO	DATE 2004/11/05	TITLE <b>2.54MM PITCH DUAL ROW HEADER SINGLE WAFER, T/H</b>							
		ANGULAR ± 3 °		CHECKED BY PTLIM	DATE 2004/12/08	<b>MOLEX INCORPORATED</b>						
		DRAFT WHERE APPLICABLE MUST REMAIN WITHIN DIMENSIONS		APPROVED BY SCLOW	DATE 2004/12/10	MATERIAL NO. <b>SEE TABLE</b>			DOCUMENT NO. <b>SD-87914-013</b>			SHEET NO. <b>22 OF 46</b>
				SIZE <b>A3</b>	THIS DRAWING CONTAINS INFORMATION THAT IS PROPRIETARY TO MOLEX INCORPORATED AND SHOULD NOT BE USED WITHOUT WRITTEN PERMISSION							



PART NO FOR TRAY PACKAGING	PART NO. FOR TUBE WITHOUT CAP PACKAGING	PART NO. FOR TUBE WITH CAP PACKAGING	PART NO. FOR TAPE & REEL WITHOUT CAP PACKAGING	PART NO. FOR TAPE & REEL WITH CAP PACKAGING	CKT SIZE	VOID POSITION	PLATING TYPE	DIMENSION				
								A	B	F	M	D
F	87914-3411	-----	-----	-----	34	----	1	43.18	40.64	10.92	5.84	2.79
	87914-3421	-----	-----	-----	34	----	1	43.18	40.64	12.25	7.00	2.96
	87914-3431	-----	-----	-----	34	----	1	43.18	40.64	13.38	6.09	5.00
	87914-3412	-----	-----	-----	34	----	2	43.18	40.64	10.92	5.84	2.79
	87914-3422	-----	-----	-----	34	----	2	43.18	40.64	12.25	7.00	2.96
	87914-3432	-----	-----	-----	34	----	2	43.18	40.64	13.38	6.09	5.00
E	87914-3413	-----	-----	-----	34	----	3	43.18	40.64	10.92	5.84	2.79
	87914-3423	-----	-----	-----	34	----	3	43.18	40.64	12.25	7.00	2.96
	87914-3433	-----	-----	-----	34	----	3	43.18	40.64	13.38	6.09	5.00
	87914-3414	-----	-----	-----	34	----	4	43.18	40.64	10.92	5.84	2.79
	87914-3424	-----	-----	-----	34	----	4	43.18	40.64	12.25	7.00	2.96
	87914-3434	-----	-----	-----	34	----	4	43.18	40.64	13.38	6.09	5.00
D	87914-3415	-----	-----	-----	34	----	5	43.18	40.64	10.92	5.84	2.79
	87914-3425	-----	-----	-----	34	----	5	43.18	40.64	12.25	7.00	2.96
	87914-3435	-----	-----	-----	34	----	5	43.18	40.64	13.38	6.09	5.00
	87914-3416	-----	-----	-----	34	----	6	43.18	40.64	10.92	5.84	2.79
	87914-3426	-----	-----	-----	34	----	6	43.18	40.64	12.25	7.00	2.96
	87914-3436	-----	-----	-----	34	----	6	43.18	40.64	13.38	6.09	5.00
C												
B												

<b>PG8. +879140108</b> EC NO: S2010-0695 DRWN:ATSEE 2010/02/11 CHKD:PTLIM 2004/12/08 APPR:MLONG 2010/06/05 <b>D7</b>	QUALITY SYMBOLS	GENERAL TOLERANCES (UNLESS SPECIFIED)	DIMENSION STYLE	SCALE	DESIGN UNITS	THIRD ANGLE PROJECTION	
	$F_A = 0$ $F_G = 0$ $F_P = 0$	mm INCH	MM ONLY	NTS	METRIC		
		4 PLACES ± --- ± ---	DRAWN BY DATE	TITLE			
		3 PLACES ± --- ± ---	KCHO 2004/11/05	2.54MM PITCH DUAL ROW HEADER SINGLE WAFER, T/H			
		2 PLACES ± 0.20 ± ---	CHECKED BY DATE	MOLEX INCORPORATED			
	1 PLACE ± --- ± ---	PTLIM 2004/12/08	SD-87914-013				
	ANGULAR ± 3 °	APPROVED BY DATE	SHEET NO.				
		SCLOW 2004/12/10	23 OF 46				
		MATERIAL NO.	SEE TABLE				
		DOCUMENT NO.	THIS DRAWING CONTAINS INFORMATION THAT IS PROPRIETARY TO MOLEX INCORPORATED AND SHOULD NOT BE USED WITHOUT WRITTEN PERMISSION				

PART NO FOR TRAY PACKAGING	PART NO. FOR TUBE WITHOUT CAP PACKAGING	PART NO. FOR TUBE WITH CAP PACKAGING	PART NO. FOR TAPE & REEL WITHOUT CAP PACKAGING	PART NO. FOR TAPE & REEL WITH CAP PACKAGING	CKT SIZE	VOID POSITION	PLATING TYPE	DIMENSION				
								A	B	F	M	P
								F	87914-3611	-----	-----	-----
	87914-3621	-----	-----	-----	36	----	1	45.72	43.18	12.25	7.00	2.96
	87914-3631	-----	-----	-----	36	----	1	45.72	43.18	13.38	6.09	5.00
	87914-3612	-----	-----	-----	36	----	2	45.72	43.18	10.92	5.84	2.79
	87914-3622	-----	-----	-----	36	----	2	45.72	43.18	12.25	7.00	2.96
	87914-3632	-----	-----	-----	36	----	2	45.72	43.18	13.38	6.09	5.00
E	87914-3613	-----	-----	-----	36	----	3	45.72	43.18	10.92	5.84	2.79
	87914-3623	-----	-----	-----	36	----	3	45.72	43.18	12.25	7.00	2.96
	87914-3633	-----	-----	-----	36	----	3	45.72	43.18	13.38	6.09	5.00
	87914-3614	-----	-----	-----	36	----	4	45.72	43.18	10.92	5.84	2.79
	87914-3624	-----	-----	-----	36	----	4	45.72	43.18	12.25	7.00	2.96
	87914-3634	-----	-----	-----	36	----	4	45.72	43.18	13.38	6.09	5.00
D	87914-3615	-----	-----	-----	36	----	5	45.72	43.18	10.92	5.84	2.79
	87914-3625	-----	-----	-----	36	----	5	45.72	43.18	12.25	7.00	2.96
	87914-3635	-----	-----	-----	36	----	5	45.72	43.18	13.38	6.09	5.00
	87914-3616	-----	-----	-----	36	----	6	45.72	43.18	10.92	5.84	2.79
	87914-3626	-----	-----	-----	36	----	6	45.72	43.18	12.25	7.00	2.96
	87914-3636	-----	-----	-----	36	----	6	45.72	43.18	13.38	6.09	5.00
C	87914-3637	-----	-----	-----	36	----	6	45.72	43.18	12.10	7.21	2.60
B												

<b>PG8. +879140108</b> EC NO: S2010-0695 DRWN:ATSEE 2010/02/11 CHKD:PTLIM 2004/12/08 APPR:MLONG 2010/06/05 <b>D7</b>	QUALITY SYMBOLS $F_A=0$ $F_G=0$ $F_P=0$	GENERAL TOLERANCES (UNLESS SPECIFIED)		DIMENSION STYLE <b>MM ONLY</b>		SCALE <b>NTS</b>	DESIGN UNITS <b>METRIC</b>	THIRD ANGLE PROJECTION			
		4 PLACES ± --- ± --- 3 PLACES ± --- ± --- 2 PLACES ± 0.20 ± --- 1 PLACE ± --- ± ---	mm      INCH	DRAWN BY KCHO	DATE 2004/11/05	TITLE <b>2.54MM PITCH          DUAL ROW HEADER          SINGLE WAFER, T/H</b>					
		ANGULAR ± 3 °		CHECKED BY PTLIM	DATE 2004/12/08	APPROVED BY SCLOW					
		DRAFT WHERE APPLICABLE MUST REMAIN WITHIN DIMENSIONS		MATERIAL NO. <b>SEE TABLE</b>		DATE 2004/12/10		<b>MOLEX INCORPORATED</b>		DOCUMENT NO. <b>SD-87914-013</b>	
				SIZE <b>A3</b>		THIS DRAWING CONTAINS INFORMATION THAT IS PROPRIETARY TO MOLEX INCORPORATED AND SHOULD NOT BE USED WITHOUT WRITTEN PERMISSION					

F	10	9	8	7	6	5	4	3	2	1			
	PART NO FOR TRAY PACKAGING	PART NO. FOR TUBE WITHOUT CAP PACKAGING	PART NO. FOR TUBE WITH CAP PACKAGING	PART NO. FOR TAPE & REEL WITHOUT CAP PACKAGING	PART NO. FOR TAPE & REEL WITH CAP PACKAGING	CKT SIZE	VOID POSITION	PLATING TYPE	DIMENSION				
									A	B	F	M	P
	87914-3811	-----	-----	-----	-----	38	----	1	48.26	45.72	10.92	5.84	2.79
	87914-3821	-----	-----	-----	-----	38	----	1	48.26	45.72	12.25	7.00	2.96
	87914-3831	-----	-----	-----	-----	38	----	1	48.26	45.72	13.38	6.09	5.00
	87914-3812	-----	-----	-----	-----	38	----	2	48.26	45.72	10.92	5.84	2.79
	87914-3822	-----	-----	-----	-----	38	----	2	48.26	45.72	12.25	7.00	2.96
	87914-3832	-----	-----	-----	-----	38	----	2	48.26	45.72	13.38	6.09	5.00
E	87914-3813	-----	-----	-----	-----	38	----	3	48.26	45.72	10.92	5.84	2.79
	87914-3823	-----	-----	-----	-----	38	----	3	48.26	45.72	12.25	7.00	2.96
	87914-3833	-----	-----	-----	-----	38	----	3	48.26	45.72	13.38	6.09	5.00
	87914-3814	-----	-----	-----	-----	38	----	4	48.26	45.72	10.92	5.84	2.79
	87914-3824	-----	-----	-----	-----	38	----	4	48.26	45.72	12.25	7.00	2.96
	87914-3834	-----	-----	-----	-----	38	----	4	48.26	45.72	13.38	6.09	5.00
D	87914-3815	-----	-----	-----	-----	38	----	5	48.26	45.72	10.92	5.84	2.79
	87914-3825	-----	-----	-----	-----	38	----	5	48.26	45.72	12.25	7.00	2.96
	87914-3835	-----	-----	-----	-----	38	----	5	48.26	45.72	13.38	6.09	5.00
	87914-3816	-----	-----	-----	-----	38	----	6	48.26	45.72	10.92	5.84	2.79
	87914-3826	-----	-----	-----	-----	38	----	6	48.26	45.72	12.25	7.00	2.96
	87914-3836	-----	-----	-----	-----	38	----	6	48.26	45.72	13.38	6.09	5.00
C													
B													

<b>PG8. +879140108</b> EC NO: S2010-0695 DRWN:ATSEE 2010/02/11 CHKD:PTLIM 2004/12/08 APPR:MLONG 2010/06/05 D7	QUALITY SYMBOLS $F_A=0$ $F_G=0$ $F_P=0$	GENERAL TOLERANCES (UNLESS SPECIFIED)		DIMENSION STYLE <b>MM ONLY</b>		SCALE NTS	DESIGN UNITS METRIC	THIRD ANGLE PROJECTION		
				DRAWN BY KCHO	DATE 2004/11/05	TITLE <b>2.54MM PITCH          DUAL ROW HEADER          SINGLE WAFER, T/H</b>				
				CHECKED BY PTLIM	DATE 2004/12/08	APPROVED BY SCLOW				
				MATERIAL NO. <b>SEE TABLE</b>		DATE 2004/12/10	DOCUMENT NO. <b>SD-87914-013</b>			SHEET NO. 25 OF 46
		DRAFT WHERE APPLICABLE MUST REMAIN WITHIN DIMENSIONS			THIS DRAWING CONTAINS INFORMATION THAT IS PROPRIETARY TO MOLEX INCORPORATED AND SHOULD NOT BE USED WITHOUT WRITTEN PERMISSION					

F	10	9	8	7	6	5	4	3	2	1			
	PART NO FOR TRAY PACKAGING	PART NO. FOR TUBE WITHOUT CAP PACKAGING	PART NO. FOR TUBE WITH CAP PACKAGING	PART NO. FOR TAPE & REEL WITHOUT CAP PACKAGING	PART NO. FOR TAPE & REEL WITH CAP PACKAGING	CKT SIZE	VOID POSITION	PLATING TYPE	DIMENSION				
									A	B	F	M	P
	87914-4011	-----	-----	-----	-----	40	----	1	50.80	48.26	10.92	5.84	2.79
	87914-4021	-----	-----	-----	-----	40	----	1	50.80	48.26	12.25	7.00	2.96
	87914-4031	-----	-----	-----	-----	40	----	1	50.80	48.26	13.38	6.09	5.00
	87914-4012	-----	-----	-----	-----	40	----	2	50.80	48.26	10.92	5.84	2.79
	87914-4022	-----	-----	-----	-----	40	----	2	50.80	48.26	12.25	7.00	2.96
	87914-4032	-----	-----	-----	-----	40	----	2	50.80	48.26	13.38	6.09	5.00
E	87914-4013	-----	-----	-----	-----	40	----	3	50.80	48.26	10.92	5.84	2.79
	87914-4023	-----	-----	-----	-----	40	----	3	50.80	48.26	12.25	7.00	2.96
	87914-4033	-----	-----	-----	-----	40	----	3	50.80	48.26	13.38	6.09	5.00
	87914-4014	-----	-----	-----	-----	40	----	4	50.80	48.26	10.92	5.84	2.79
	87914-4024	-----	-----	-----	-----	40	----	4	50.80	48.26	12.25	7.00	2.96
	87914-4034	-----	-----	-----	-----	40	----	4	50.80	48.26	13.38	6.09	5.00
D	87914-4015	-----	-----	-----	-----	40	----	5	50.80	48.26	10.92	5.84	2.79
	87914-4025	-----	-----	-----	-----	40	----	5	50.80	48.26	12.25	7.00	2.96
	87914-4035	-----	-----	-----	-----	40	----	5	50.80	48.26	13.38	6.09	5.00
	87914-4016	-----	-----	-----	-----	40	----	6	50.80	48.26	10.92	5.84	2.79
	87914-4026	-----	-----	-----	-----	40	----	6	50.80	48.26	12.25	7.00	2.96
	87914-4036	-----	-----	-----	-----	40	----	6	50.80	48.26	13.38	6.09	5.00
C													
B													

<b>PG8. +879140108</b> EC NO: S2010-0695 DRWN:ATSEE 2010/02/11 CHKD:PTLIM 2004/12/08 APPR:MLONG 2010/06/05 D7	QUALITY SYMBOLS $F_A=0$ $F_G=0$ $F_P=0$	GENERAL TOLERANCES (UNLESS SPECIFIED)		DIMENSION STYLE <b>MM ONLY</b>		SCALE <b>NTS</b>	DESIGN UNITS <b>METRIC</b>	THIRD ANGLE PROJECTION		
				DRAWN BY KCHO	DATE 2004/11/05	TITLE <b>2.54MM PITCH          DUAL ROW HEADER          SINGLE WAFER, T/H</b>				
				CHECKED BY PTLIM	DATE 2004/12/08	APPROVED BY SCLOW				
				MATERIAL NO. <b>SEE TABLE</b>		DATE 2004/12/10	DOCUMENT NO. <b>SD-87914-013</b>		SHEET NO. 26 OF 46	
		DRAFT WHERE APPLICABLE MUST REMAIN WITHIN DIMENSIONS			THIS DRAWING CONTAINS INFORMATION THAT IS PROPRIETARY TO MOLEX INCORPORATED AND SHOULD NOT BE USED WITHOUT WRITTEN PERMISSION					

PART NO FOR TRAY PACKAGING	PART NO. FOR TUBE WITHOUT CAP PACKAGING	PART NO. FOR TUBE WITH CAP PACKAGING	PART NO. FOR TAPE & REEL WITHOUT CAP PACKAGING	PART NO. FOR TAPE & REEL WITH CAP PACKAGING	CKT SIZE	VOID POSITION	PLATING TYPE	DIMENSION				
								A	B	F	M	P
								F	87914-4211	-----	-----	-----
	87914-4221	-----	-----	-----	42	----	1	53.34	50.80	12.25	7.00	2.96
	87914-4212	-----	-----	-----	42	----	2	53.34	50.80	10.92	5.84	2.79
	87914-4222	-----	-----	-----	42	----	2	53.34	50.80	12.25	7.00	2.96
	87914-4213	-----	-----	-----	42	----	3	53.34	50.80	10.92	5.84	2.79
	87914-4223	-----	-----	-----	42	----	3	53.34	50.80	12.25	7.00	2.96
E	87914-4214	-----	-----	-----	42	----	4	53.34	50.80	10.92	5.84	2.79
	87914-4224	-----	-----	-----	42	----	4	53.34	50.80	12.25	7.00	2.96
	87914-4215	-----	-----	-----	42	----	5	53.34	50.80	10.92	5.84	2.79
	87914-4225	-----	-----	-----	42	----	5	53.34	50.80	12.25	7.00	2.96
	87914-4216	-----	-----	-----	42	----	6	53.34	50.80	10.92	5.84	2.79
	87914-4226	-----	-----	-----	42	----	6	53.34	50.80	12.25	7.00	2.96
D												
C												
B												

PG8. +879140108 EC NO: S2010-0695 DRWN:ATSEE 2010/02/11 CHKD:PTLIM 2004/12/08 APPR:MLONG 2010/06/05	QUALITY SYMBOLS	GENERAL TOLERANCES (UNLESS SPECIFIED)	DIMENSION STYLE MM ONLY	SCALE NTS	DESIGN UNITS METRIC	THIRD ANGLE PROJECTION																															
	$F_A=0$ $F_C=0$ $F_P=0$	<table border="1"> <tr><th colspan="2">mm</th><th>INCH</th></tr> <tr><td>4 PLACES</td><td>± ---</td><td>± ---</td></tr> <tr><td>3 PLACES</td><td>± ---</td><td>± ---</td></tr> <tr><td>2 PLACES</td><td>± 0.20</td><td>± ---</td></tr> <tr><td>1 PLACE</td><td>± ---</td><td>± ---</td></tr> </table>	mm		INCH	4 PLACES	± ---	± ---	3 PLACES	± ---	± ---	2 PLACES	± 0.20	± ---	1 PLACE	± ---	± ---	<table border="1"> <tr><td>DRAWN BY</td><td>DATE</td><td>TITLE</td></tr> <tr><td>KCHO</td><td>2004/11/05</td><td rowspan="3">2.54MM PITCH DUAL ROW HEADER SINGLE WAFER, T/H</td></tr> <tr><td>CHECKED BY</td><td>DATE</td></tr> <tr><td>PTLIM</td><td>2004/12/08</td></tr> <tr><td>APPROVED BY</td><td>DATE</td><td></td></tr> <tr><td>SCLOW</td><td>2004/12/10</td><td></td></tr> </table>	DRAWN BY	DATE	TITLE	KCHO	2004/11/05	2.54MM PITCH DUAL ROW HEADER SINGLE WAFER, T/H	CHECKED BY	DATE	PTLIM	2004/12/08	APPROVED BY	DATE		SCLOW	2004/12/10		MOLEX INCORPORATED		
	mm		INCH																																		
	4 PLACES	± ---	± ---																																		
3 PLACES	± ---	± ---																																			
2 PLACES	± 0.20	± ---																																			
1 PLACE	± ---	± ---																																			
DRAWN BY	DATE	TITLE																																			
KCHO	2004/11/05	2.54MM PITCH DUAL ROW HEADER SINGLE WAFER, T/H																																			
CHECKED BY	DATE																																				
PTLIM	2004/12/08																																				
APPROVED BY	DATE																																				
SCLOW	2004/12/10																																				
D7	DRAFT WHERE APPLICABLE MUST REMAIN WITHIN DIMENSIONS	SEE TABLE	MATERIAL NO.	DOCUMENT NO.	SHEET NO.																																
			THIS DRAWING CONTAINS INFORMATION THAT IS PROPRIETARY TO MOLEX INCORPORATED AND SHOULD NOT BE USED WITHOUT WRITTEN PERMISSION																																		

	10	9	8	7	6	5	4	3	2	1			
	PART NO FOR TRAY PACKAGING	PART NO. FOR TUBE WITHOUT CAP PACKAGING	PART NO. FOR TUBE WITH CAP PACKAGING	PART NO. FOR TAPE & REEL WITHOUT CAP PACKAGING	PART NO. FOR TAPE & REEL WITH CAP PACKAGING	CKT SIZE	VOID POSITION	PLATING TYPE	DIMENSION				
	A	B	F	M	P								
F	87914-4411	-----	-----	-----	-----	44	----	1	55.88	53.34	10.92	5.84	2.79
	87914-4421	-----	-----	-----	-----	44	----	1	55.88	53.34	12.25	7.00	2.96
	87914-4412	-----	-----	-----	-----	44	----	2	55.88	53.34	10.92	5.84	2.79
	87914-4422	-----	-----	-----	-----	44	----	2	55.88	53.34	12.25	7.00	2.96
	87914-4413	-----	-----	-----	-----	44	----	3	55.88	53.34	10.92	5.84	2.79
	87914-4423	-----	-----	-----	-----	44	----	3	55.88	53.34	12.25	7.00	2.96
E	87914-4414	-----	-----	-----	-----	44	----	4	55.88	53.34	10.92	5.84	2.79
	87914-4424	-----	-----	-----	-----	44	----	4	55.88	53.34	12.25	7.00	2.96
	87914-4415	-----	-----	-----	-----	44	----	5	55.88	53.34	10.92	5.84	2.79
	87914-4425	-----	-----	-----	-----	44	----	5	55.88	53.34	12.25	7.00	2.96
	87914-4416	-----	-----	-----	-----	44	----	6	55.88	53.34	10.92	5.84	2.79
	87914-4426	-----	-----	-----	-----	44	----	6	55.88	53.34	12.25	7.00	2.96
D													
C													
B													

<b>PG8. +879140108</b> EC NO: S2010-0695 DRWN:ATSEE 2010/02/11 CHKD:PTLIM 2004/12/08 APPR:MLONG 2010/06/05 D7	QUALITY SYMBOLS $F_A=0$ $F_G=0$ $F_P=0$	GENERAL TOLERANCES (UNLESS SPECIFIED) <table border="1"> <tr> <th></th> <th>mm</th> <th>INCH</th> </tr> <tr> <td>4 PLACES</td> <td>± ---</td> <td>± ---</td> </tr> <tr> <td>3 PLACES</td> <td>± ---</td> <td>± ---</td> </tr> <tr> <td>2 PLACES</td> <td>± 0.20</td> <td>± ---</td> </tr> <tr> <td>1 PLACE</td> <td>± ---</td> <td>± ---</td> </tr> </table>		mm	INCH	4 PLACES	± ---	± ---	3 PLACES	± ---	± ---	2 PLACES	± 0.20	± ---	1 PLACE	± ---	± ---	DIMENSION STYLE <b>MM ONLY</b> DRAWN BY: KCHO CHECKED BY: PTLIM APPROVED BY: SCLOW MATERIAL NO.: SEE TABLE	SCALE: NTS DESIGN UNITS: METRIC DIMENSION STYLE: MM ONLY DATE: 2004/11/05 DATE: 2004/12/08 DATE: 2004/12/10	THIRD ANGLE PROJECTION <b>2.54MM PITCH          DUAL ROW HEADER          SINGLE WAFER, T/H</b> <b>MOLEX INCORPORATED</b> DOCUMENT NO.: SD-87914-013	SHEET NO.: 28 OF 46
		mm	INCH																		
	4 PLACES	± ---	± ---																		
	3 PLACES	± ---	± ---																		
2 PLACES	± 0.20	± ---																			
1 PLACE	± ---	± ---																			
DRAFT WHERE APPLICABLE MUST REMAIN WITHIN DIMENSIONS		THIS DRAWING CONTAINS INFORMATION THAT IS PROPRIETARY TO MOLEX INCORPORATED AND SHOULD NOT BE USED WITHOUT WRITTEN PERMISSION																			
SIZE: A3		SEE TABLE																			
REV:		DESCRIPTION:																			



	10	9	8	7	6	5	4	3	2	1				
	PART NO FOR TRAY PACKAGING	PART NO. FOR TUBE WITHOUT CAP PACKAGING	PART NO. FOR TUBE WITH CAP PACKAGING	PART NO. FOR TAPE & REEL WITHOUT CAP PACKAGING	PART NO. FOR TAPE & REEL WITH CAP PACKAGING	CKT SIZE	VOID POSITION	PLATING TYPE	DIMENSION					
								A	B	F	M	P		
F	87914-4811	-----	-----	-----	-----	48	----	1	60.96	58.42	10.92	5.84	2.79	F
	87914-4821	-----	-----	-----	-----	48	----	1	60.96	58.42	12.25	7.00	2.96	
	87914-4812	-----	-----	-----	-----	48	----	2	60.96	58.42	10.92	5.84	2.79	
	87914-4822	-----	-----	-----	-----	48	----	2	60.96	58.42	12.25	7.00	2.96	
	87914-4813	-----	-----	-----	-----	48	----	3	60.96	58.42	10.92	5.84	2.79	
	87914-4823	-----	-----	-----	-----	48	----	3	60.96	58.42	12.25	7.00	2.96	
E	87914-4814	-----	-----	-----	-----	48	----	4	60.96	58.42	10.92	5.84	2.79	E
	87914-4824	-----	-----	-----	-----	48	----	4	60.96	58.42	12.25	7.00	2.96	
	87914-4815	-----	-----	-----	-----	48	----	5	60.96	58.42	10.92	5.84	2.79	
	87914-4825	-----	-----	-----	-----	48	----	5	60.96	58.42	12.25	7.00	2.96	
	87914-4816	-----	-----	-----	-----	48	----	6	60.96	58.42	10.92	5.84	2.79	
	87914-4826	-----	-----	-----	-----	48	----	6	60.96	58.42	12.25	7.00	2.96	
D														D
C														C
B														B

<b>PG8. +879140108</b> EC NO: S2010-0695 DRWN:ATSEE 2010/02/11 CHKD:PTLIM 2004/12/08 APPR:MLONG 2010/06/05 <b>D7</b>	<b>QUALITY SYMBOLS</b> $F_A=0$ $F_G=0$ $F_P=0$	<b>GENERAL TOLERANCES (UNLESS SPECIFIED)</b> <table border="1"> <tr> <th></th> <th>mm</th> <th>INCH</th> </tr> <tr> <td>4 PLACES</td> <td>± ---</td> <td>± ---</td> </tr> <tr> <td>3 PLACES</td> <td>± ---</td> <td>± ---</td> </tr> <tr> <td>2 PLACES</td> <td>± 0.20</td> <td>± ---</td> </tr> <tr> <td>1 PLACE</td> <td>± ---</td> <td>± ---</td> </tr> </table>		mm	INCH	4 PLACES	± ---	± ---	3 PLACES	± ---	± ---	2 PLACES	± 0.20	± ---	1 PLACE	± ---	± ---	<b>DIMENSION STYLE</b> <b>MM ONLY</b> DRAWN BY: KCHO DATE: 2004/11/05 CHECKED BY: PTLIM DATE: 2004/12/08 APPROVED BY: SCLOW DATE: 2004/12/10	<b>SCALE</b> NTS <b>DESIGN UNITS</b> METRIC <b>THIRD ANGLE PROJECTION</b>	<b>TITLE</b> 2.54MM PITCH DUAL ROW HEADER SINGLE WAFER, T/H <b>MOLEX INCORPORATED</b> MATERIAL NO. SEE TABLE DOCUMENT NO. SD-87914-013
		mm	INCH																	
	4 PLACES	± ---	± ---																	
	3 PLACES	± ---	± ---																	
2 PLACES	± 0.20	± ---																		
1 PLACE	± ---	± ---																		
<b>DRAFT WHERE APPLICABLE MUST REMAIN WITHIN DIMENSIONS</b>		<b>SIZE</b> A3	THIS DRAWING CONTAINS INFORMATION THAT IS PROPRIETARY TO MOLEX INCORPORATED AND SHOULD NOT BE USED WITHOUT WRITTEN PERMISSION																	
				<b>SHEET NO.</b> 30 OF 46																



	10	9	8	7	6	5	4	3	2	1			
	PART NO FOR TRAY PACKAGING	PART NO. FOR TUBE WITHOUT CAP PACKAGING	PART NO. FOR TUBE WITH CAP PACKAGING	PART NO. FOR TAPE & REEL WITHOUT CAP PACKAGING	PART NO. FOR TAPE & REEL WITH CAP PACKAGING	CKT SIZE	VOID POSITION	PLATING TYPE	DIMENSION				
									A	B	F	M	P
F	87914-5011	-----	-----	-----	-----	50	----	1	63.50	60.96	10.92	5.84	2.79
	87914-5021	-----	-----	-----	-----	50	----	1	63.50	60.96	12.25	7.00	2.96
	87914-5012	-----	-----	-----	-----	50	----	2	63.50	60.96	10.92	5.84	2.79
	87914-5022	-----	-----	-----	-----	50	----	2	63.50	60.96	12.25	7.00	2.96
	87914-5013	-----	-----	-----	-----	50	----	3	63.50	60.96	10.92	5.84	2.79
	87914-5023	-----	-----	-----	-----	50	----	3	63.50	60.96	12.25	7.00	2.96
E	87914-5014	-----	-----	-----	-----	50	----	4	63.50	60.96	10.92	5.84	2.79
	87914-5024	-----	-----	-----	-----	50	----	4	63.50	60.96	12.25	7.00	2.96
	87914-5015	-----	-----	-----	-----	50	----	5	63.50	60.96	10.92	5.84	2.79
	87914-5025	-----	-----	-----	-----	50	----	5	63.50	60.96	12.25	7.00	2.96
	87914-5016	-----	-----	-----	-----	50	----	6	63.50	60.96	10.92	5.84	2.79
	87914-5026	-----	-----	-----	-----	50	----	6	63.50	60.96	12.25	7.00	2.96
D	87914-0002	-----	-----	-----	-----	50	----	8	63.50	60.96	18.54	11.58	4.47
C													
B													

<b>PG8. +879140108</b> EC NO: S2010-0695 DRW:NATSEE 2010/02/11 CHKD:PTLIM 2004/12/08 APPR:MLONG 2010/06/05 <b>D7</b>	<b>QUALITY SYMBOLS</b> $F_A=0$ $F_C=0$ $F_B=0$	<b>GENERAL TOLERANCES (UNLESS SPECIFIED)</b> <table border="1"> <tr> <th></th> <th>mm</th> <th>INCH</th> </tr> <tr> <td>4 PLACES</td> <td>± ---</td> <td>± ---</td> </tr> <tr> <td>3 PLACES</td> <td>± ---</td> <td>± ---</td> </tr> <tr> <td>2 PLACES</td> <td>± 0.20</td> <td>± ---</td> </tr> <tr> <td>1 PLACE</td> <td>± ---</td> <td>± ---</td> </tr> </table>		mm	INCH	4 PLACES	± ---	± ---	3 PLACES	± ---	± ---	2 PLACES	± 0.20	± ---	1 PLACE	± ---	± ---	<b>DIMENSION STYLE</b> <b>MM ONLY</b> DRAWN BY: KCHO CHECKED BY: PTLIM APPROVED BY: SCLOW DATE: 2004/11/05 DATE: 2004/12/08 DATE: 2004/12/10	<b>SCALE</b> NTS <b>DESIGN UNITS</b> METRIC <b>THIRD ANGLE PROJECTION</b>	<b>TITLE</b> <b>2.54MM PITCH DUAL ROW HEADER SINGLE WAFER, T/H</b> <b>MOLEX INCORPORATED</b> MATERIAL NO. SEE TABLE DOCUMENT NO. SD-87914-013
		mm	INCH																	
	4 PLACES	± ---	± ---																	
	3 PLACES	± ---	± ---																	
	2 PLACES	± 0.20	± ---																	
1 PLACE	± ---	± ---																		
		ANGULAR ± 3 °	THIS DRAWING CONTAINS INFORMATION THAT IS PROPRIETARY TO MOLEX INCORPORATED AND SHOULD NOT BE USED WITHOUT WRITTEN PERMISSION																	
		<b>DRAFT WHERE APPLICABLE MUST REMAIN WITHIN DIMENSIONS</b>	<b>SEE TABLE</b>																	
			<b>SIZE A3</b>																	
					SHEET NO. 31 OF 46															

PART NO FOR BULK PACKAGING	PART NO. FOR TUBE WITHOUT CAP PACKAGING	PART NO. FOR TUBE WITH CAP PACKAGING	PART NO. FOR TAPE & REEL WITHOUT CAP PACKAGING	PART NO. FOR TAPE & REEL WITH CAP PACKAGING	CKT SIZE	VOID POSITION	PLATING TYPE	DIMENSION				
								A	B	F	M	P
								F	87914-5211	-----	-----	-----
	87914-5221	-----	-----	-----	52	-----	1	66.04	63.50	12.25	7.00	2.96
	87914-5212	-----	-----	-----	52	-----	2	66.04	63.50	10.92	5.84	2.79
	87914-5222	-----	-----	-----	52	-----	2	66.04	63.50	12.25	7.00	2.96
	87914-5213	-----	-----	-----	52	-----	3	66.04	63.50	10.92	5.84	2.79
	87914-5223	-----	-----	-----	52	-----	3	66.04	63.50	12.25	7.00	2.96
E	87914-5214	-----	-----	-----	52	-----	4	66.04	63.50	10.92	5.84	2.79
	87914-5224	-----	-----	-----	52	-----	4	66.04	63.50	12.25	7.00	2.96
	87914-5215	-----	-----	-----	52	-----	5	66.04	63.50	10.92	5.84	2.79
	87914-5225	-----	-----	-----	52	-----	5	66.04	63.50	12.25	7.00	2.96
	87914-5216	-----	-----	-----	52	-----	6	66.04	63.50	10.92	5.84	2.79
	87914-5226	-----	-----	-----	52	-----	6	66.04	63.50	12.25	7.00	2.96
D												
C												
B												

<b>PG8. +879140108</b> EC NO: S2010-0695 DRWN:ATSEE 2010/02/11 CHKD:PTLIM 2004/12/08 APPR:MLONG 2010/06/05	QUALITY SYMBOLS $F_A=0$ $F_C=0$ $F_P=0$	GENERAL TOLERANCES (UNLESS SPECIFIED)		DIMENSION STYLE <b>MM ONLY</b>	SCALE NTS	DESIGN UNITS METRIC	THIRD ANGLE PROJECTION
		4 PLACES ± --- ± --- 3 PLACES ± --- ± --- 2 PLACES ± 0.20 ± --- 1 PLACE ± --- ± --- ANGULAR ± 3 °	mm      INCH ± ---    ± --- ± ---    ± --- ± 0.20   ± --- ± ---    ± ---	DRAWN BY KCHO	DATE 2004/11/05	TITLE 2.54MM PITCH DUAL ROW HEADER SINGLE WAFER, T/H	<b>MOLEX INCORPORATED</b>
D7	DESCRIPTION REV	DRAFT WHERE APPLICABLE MUST REMAIN WITHIN DIMENSIONS		APPROVED BY SCLOW	DATE 2004/12/10	MATERIAL NO. SEE TABLE	DOCUMENT NO. SD-87914-013
		SIZE A3	THIS DRAWING CONTAINS INFORMATION THAT IS PROPRIETARY TO MOLEX INCORPORATED AND SHOULD NOT BE USED WITHOUT WRITTEN PERMISSION				



PART NO FOR BULK PACKAGING	PART NO. FOR TUBE WITHOUT CAP PACKAGING	PART NO. FOR TUBE WITH CAP PACKAGING	PART NO. FOR TAPE & REEL WITHOUT CAP PACKAGING	PART NO. FOR TAPE & REEL WITH CAP PACKAGING	CKT SIZE	VOID POSITION	PLATING TYPE	DIMENSION				
								A	B	F	M	P
F	87914-5611	-----	-----	-----	56	-----	1	71.12	68.58	10.92	5.84	2.79
	87914-5621	-----	-----	-----	56	-----	1	71.12	68.58	12.25	7.00	2.96
	87914-5612	-----	-----	-----	56	-----	2	71.12	68.58	10.92	5.84	2.79
	87914-5622	-----	-----	-----	56	-----	2	71.12	68.58	12.25	7.00	2.96
	87914-5613	-----	-----	-----	56	-----	3	71.12	68.58	10.92	5.84	2.79
	87914-5623	-----	-----	-----	56	-----	3	71.12	68.58	12.25	7.00	2.96
E	87914-5614	-----	-----	-----	56	-----	4	71.12	68.58	10.92	5.84	2.79
	87914-5624	-----	-----	-----	56	-----	4	71.12	68.58	12.25	7.00	2.96
	87914-5615	-----	-----	-----	56	-----	5	71.12	68.58	10.92	5.84	2.79
	87914-5625	-----	-----	-----	56	-----	5	71.12	68.58	12.25	7.00	2.96
	87914-5616	-----	-----	-----	56	-----	6	71.12	68.58	10.92	5.84	2.79
	87914-5626	-----	-----	-----	56	-----	6	71.12	68.58	12.25	7.00	2.96
D												
C												
B												

PG8. +879140108	EC NO: S2010-0695	2010/02/11
	DRWN:ATSEE	2004/12/08
	CHKD:PTLIM	2010/06/05
APP:MLONG		2010/06/05
REV	DESCRIPTION	
D7		

QUALITY SYMBOLS	GENERAL TOLERANCES (UNLESS SPECIFIED)
$\nabla_A = 0$	mm INCH
$\nabla_B = 0$	4 PLACES ± --- ± ---
$\nabla_C = 0$	3 PLACES ± --- ± ---
$\nabla_D = 0$	2 PLACES ± 0.20 ± ---
	1 PLACE ± --- ± ---
	ANGULAR ± 3°
	DRAFT WHERE APPLICABLE MUST REMAIN WITHIN DIMENSIONS

DIMENSION STYLE MM ONLY	
DRAWN BY KCHO	DATE 2004/11/05
CHECKED BY PTLIM	DATE 2004/12/08
APPROVED BY SCLOW	DATE 2004/12/10
MATERIAL NO. SEE TABLE	
SIZE A3	

SCALE NTS	DESIGN UNITS METRIC	THIRD ANGLE PROJECTION
TITLE 2.54MM PITCH DUAL ROW HEADER SINGLE WAFER, T/H		
MOLEX INCORPORATED		
MATERIAL NO.	DOCUMENT NO.	SHEET NO.
	SD-87914-013	34 OF 46
THIS DRAWING CONTAINS INFORMATION THAT IS PROPRIETARY TO MOLEX INCORPORATED AND SHOULD NOT BE USED WITHOUT WRITTEN PERMISSION		

	10	9	8	7	6	5	4	3	2	1			
	PART NO FOR BULK PACKAGING	PART NO. FOR TUBE WITHOUT CAP PACKAGING	PART NO. FOR TUBE WITH CAP PACKAGING	PART NO. FOR TAPE & REEL WITHOUT CAP PACKAGING	PART NO. FOR TAPE & REEL WITH CAP PACKAGING	CKT SIZE	VOID POSITION	PLATING TYPE	DIMENSION				
	A	B	F	M	P								
F	87914-5811	-----	-----	-----	-----	58	----	1	73.66	71.12	10.92	5.84	2.79
	87914-5821	-----	-----	-----	-----	58	----	1	73.66	71.12	12.25	7.00	2.96
	87914-5812	-----	-----	-----	-----	58	----	2	73.66	71.12	10.92	5.84	2.79
	87914-5822	-----	-----	-----	-----	58	----	2	73.66	71.12	12.25	7.00	2.96
	87914-5813	-----	-----	-----	-----	58	----	3	73.66	71.12	10.92	5.84	2.79
	87914-5823	-----	-----	-----	-----	58	----	3	73.66	71.12	12.25	7.00	2.96
E	87914-5814	-----	-----	-----	-----	58	----	4	73.66	71.12	10.92	5.84	2.79
	87914-5824	-----	-----	-----	-----	58	----	4	73.66	71.12	12.25	7.00	2.96
	87914-5815	-----	-----	-----	-----	58	----	5	73.66	71.12	10.92	5.84	2.79
	87914-5825	-----	-----	-----	-----	58	----	5	73.66	71.12	12.25	7.00	2.96
	87914-5816	-----	-----	-----	-----	58	----	6	73.66	71.12	10.92	5.84	2.79
	87914-5826	-----	-----	-----	-----	58	----	6	73.66	71.12	12.25	7.00	2.96
D													
C													
B													

PG8, +879140108 EC NO: S2010-0695 DRAWN:ATSEE 2010/02/11 CHKD:PTLIM 2004/12/08 APPR:MLONG 2010/06/05	QUALITY SYMBOLS	GENERAL TOLERANCES (UNLESS SPECIFIED) 4 PLACES $\pm$ --- $\pm$ --- 3 PLACES $\pm$ --- $\pm$ --- 2 PLACES $\pm$ 0.20 $\pm$ --- 1 PLACE $\pm$ --- $\pm$ --- ANGULAR $\pm$ 3 °	DIMENSION STYLE MM ONLY	SCALE NTS	DESIGN UNITS METRIC	THIRD ANGLE PROJECTION		
	DESCRIPTION		DRAWN BY KCHO	DATE 2004/11/05	TITLE 2.54MM PITCH DUAL ROW HEADER SINGLE WAFER, T/H			
REV D7	DRAFT WHERE APPLICABLE MUST REMAIN WITHIN DIMENSIONS		CHECKED BY PTLIM	DATE 2004/12/08	APPROVED BY SCLOW			DATE 2004/12/10
			MATERIAL NO.	SEE TABLE	DOCUMENT NO.	MOLEX INCORPORATED	SD-87914-013	SHEET NO. 35 OF 46
			SIZE A3	THIS DRAWING CONTAINS INFORMATION THAT IS PROPRIETARY TO MOLEX INCORPORATED AND SHOULD NOT BE USED WITHOUT WRITTEN PERMISSION				

F	PART NO FOR BULK PACKAGING	PART NO. FOR TUBE WITHOUT CAP PACKAGING	PART NO. FOR TUBE WITH CAP PACKAGING	PART NO. FOR TAPE & REEL WITHOUT CAP PACKAGING	PART NO. FOR TAPE & REEL WITH CAP PACKAGING	CKT SIZE	VOID POSITION	PLATING TYPE	DIMENSION				
									A	B	F	M	P
									87914-6011	-----	-----	-----	-----
87914-6021	-----	-----	-----	-----	60	----	1	76.20	73.66	12.25	7.00	2.96	
87914-6012	-----	-----	-----	-----	60	----	2	76.20	73.66	10.92	5.84	2.79	
87914-6022	-----	-----	-----	-----	60	----	2	76.20	73.66	12.25	7.00	2.96	
87914-6013	-----	-----	-----	-----	60	----	3	76.20	73.66	10.92	5.84	2.79	
87914-6023	-----	-----	-----	-----	60	----	3	76.20	73.66	12.25	7.00	2.96	
87914-6014	-----	-----	-----	-----	60	----	4	76.20	73.66	10.92	5.84	2.79	
87914-6024	-----	-----	-----	-----	60	----	4	76.20	73.66	12.25	7.00	2.96	
87914-6015	-----	-----	-----	-----	60	----	5	76.20	73.66	10.92	5.84	2.79	
87914-6025	-----	-----	-----	-----	60	----	5	76.20	73.66	12.25	7.00	2.96	
87914-6016	-----	-----	-----	-----	60	----	6	76.20	73.66	10.92	5.84	2.79	
87914-6026	-----	-----	-----	-----	60	----	6	76.20	73.66	12.25	7.00	2.96	
D													
C													
B													



PG8, +879140108
EC NO: S2010-0695
DRWNATSEE 2010/02/11
CHKD:PTLIM 2004/12/08
APPR:MLONG 2010/06/05
REV
D7

QUALITY SYMBOLS
$F_A=0$
$F_C=0$
$F_B=0$
GENERAL TOLERANCES (UNLESS SPECIFIED)
4 PLACES ± --- ± ---
3 PLACES ± --- ± ---
2 PLACES ± 0.20 ± ---
1 PLACE ± --- ± ---
ANGULAR ± 3 °
DRAFT WHERE APPLICABLE MUST REMAIN WITHIN DIMENSIONS

DIMENSION STYLE	SCALE	DESIGN UNITS	THIRD ANGLE PROJECTION
MM ONLY	NTS	METRIC	
DRAWN BY	DATE	TITLE	
KCHO	2004/11/05		
CHECKED BY	DATE		
PTLIM	2004/12/08		
APPROVED BY	DATE		
SCLOW	2004/12/10		
MATERIAL NO.	DOCUMENT NO.		
SEE TABLE			
SIZE A3			

2.54MM PITCH DUAL ROW HEADER SINGLE WAFER, T/H
MOLEX INCORPORATED
SD-87914-013
36 OF 46
THIS DRAWING CONTAINS INFORMATION THAT IS PROPRIETARY TO MOLEX INCORPORATED AND SHOULD NOT BE USED WITHOUT WRITTEN PERMISSION

	10					9					8					7					6					5					4					3					2					1				
	PART NO FOR BULK PACKAGING	PART NO. FOR TUBE WITHOUT CAP PACKAGING	PART NO. FOR TUBE WITH CAP PACKAGING	PART NO. FOR TAPE & REEL WITHOUT CAP PACKAGING	PART NO. FOR TAPE & REEL WITH CAP PACKAGING	CKT SIZE	VOID POSITION	PLATING TYPE	DIMENSION					A	B	F	M	P																																
									A	B	F	M	P																																					
F	87914-6211	-----	-----	-----	-----	62	----	1	78.74	76.20	10.92	5.84	2.79																																					
	87914-6221	-----	-----	-----	-----	62	----	1	78.74	76.20	12.25	7.00	2.96																																					
	87914-6212	-----	-----	-----	-----	62	----	2	78.74	76.20	10.92	5.84	2.79																																					
	87914-6222	-----	-----	-----	-----	62	----	2	78.74	76.20	12.25	7.00	2.96																																					
	87914-6213	-----	-----	-----	-----	62	----	3	78.74	76.20	10.92	5.84	2.79																																					
	87914-6223	-----	-----	-----	-----	62	----	3	78.74	76.20	12.25	7.00	2.96																																					
E	87914-6214	-----	-----	-----	-----	62	----	4	78.74	76.20	10.92	5.84	2.79																																					
	87914-6224	-----	-----	-----	-----	62	----	4	78.74	76.20	12.25	7.00	2.96																																					
	87914-6215	-----	-----	-----	-----	62	----	5	78.74	76.20	10.92	5.84	2.79																																					
	87914-6225	-----	-----	-----	-----	62	----	5	78.74	76.20	12.25	7.00	2.96																																					
	87914-6216	-----	-----	-----	-----	62	----	6	78.74	76.20	10.92	5.84	2.79																																					
	87914-6226	-----	-----	-----	-----	62	----	6	78.74	76.20	12.25	7.00	2.96																																					
D																																																		
C																																																		
B																																																		

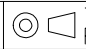

<b>PG8. +879140108</b> EC NO: S2010-0695 DRWN:ATSEE 2010/02/11 CHKD:PTLIM 2004/12/08 APPR:MLONG 2010/06/05		QUALITY SYMBOLS $F_{A'}=0$ $F_{G'}=0$ $F_{P'}=0$		GENERAL TOLERANCES (UNLESS SPECIFIED) <table border="1"> <tr><td></td><td>mm</td><td>INCH</td></tr> <tr><td>4 PLACES</td><td>± ---</td><td>± ---</td></tr> <tr><td>3 PLACES</td><td>± ---</td><td>± ---</td></tr> <tr><td>2 PLACES</td><td>± 0.20</td><td>± ---</td></tr> <tr><td>1 PLACE</td><td>± ---</td><td>± ---</td></tr> </table>			mm	INCH	4 PLACES	± ---	± ---	3 PLACES	± ---	± ---	2 PLACES	± 0.20	± ---	1 PLACE	± ---	± ---	DIMENSION STYLE <b>MM ONLY</b>		SCALE <b>NTS</b>		DESIGN UNITS <b>METRIC</b>		 <b>THIRD ANGLE PROJECTION</b>	
	mm	INCH																										
4 PLACES	± ---	± ---																										
3 PLACES	± ---	± ---																										
2 PLACES	± 0.20	± ---																										
1 PLACE	± ---	± ---																										
<b>D7</b> DRAWN BY: KCHO CHECKED BY: PTLIM APPROVED BY: SCLOW			DATE: 2004/11/05 DATE: 2004/12/08 DATE: 2004/12/10			<b>TITLE</b> 2.54MM PITCH DUAL ROW HEADER SINGLE WAFER, T/H																						
MATERIAL NO.				<b>SEE TABLE</b>				 <b>MOLEX INCORPORATED</b>																				
DRAFT WHERE APPLICABLE MUST REMAIN WITHIN DIMENSIONS								DOCUMENT NO. <b>SD-87914-013</b>		SHEET NO. <b>37 OF 46</b>																		
SIZE <b>A3</b> THIS DRAWING CONTAINS INFORMATION THAT IS PROPRIETARY TO MOLEX INCORPORATED AND SHOULD NOT BE USED WITHOUT WRITTEN PERMISSION																												

F	DIMENSION												
	PART NO FOR BULK PACKAGING	PART NO. FOR TUBE WITHOUT CAP PACKAGING	PART NO. FOR TUBE WITH CAP PACKAGING	PART NO. FOR TAPE & REEL WITHOUT CAP PACKAGING	PART NO. FOR TAPE & REEL WITH CAP PACKAGING	CKT SIZE	VOID POSITION	PLATING TYPE	A	B	F	M	P
	87914-6411	-----	-----	-----	-----	64	----	1	81.28	78.74	10.92	5.84	2.79
	87914-6421	-----	-----	-----	-----	64	----	1	81.28	78.74	12.25	7.00	2.96
	87914-6412	-----	-----	-----	-----	64	----	2	81.28	78.74	10.92	5.84	2.79
	87914-6422	-----	-----	-----	-----	64	----	2	81.28	78.74	12.25	7.00	2.96
	87914-6413	-----	-----	-----	-----	64	----	3	81.28	78.74	10.92	5.84	2.79
	87914-6423	-----	-----	-----	-----	64	----	3	81.28	78.74	12.25	7.00	2.96
	87914-6414	-----	-----	-----	-----	64	----	4	81.28	78.74	10.92	5.84	2.79
	87914-6424	-----	-----	-----	-----	64	----	4	81.28	78.74	12.25	7.00	2.96
	87914-6415	-----	-----	-----	-----	64	----	5	81.28	78.74	10.92	5.84	2.79
	87914-6425	-----	-----	-----	-----	64	----	5	81.28	78.74	12.25	7.00	2.96
	87914-6416	-----	-----	-----	-----	64	----	6	81.28	78.74	10.92	5.84	2.79
	87914-6426	-----	-----	-----	-----	64	----	6	81.28	78.74	12.25	7.00	2.96

<b>PG8, +879140108</b> EC NO: S2010-0695 DRW:NATSEE 2010/02/11 CHY:KDP:TLIM 2004/12/08 APPR:MLONG 2010/06/05 D7	QUALITY SYMBOLS $F_A=0$ $F_G=0$ $F_P=0$	GENERAL TOLERANCES (UNLESS SPECIFIED) <table border="1"> <tr><td></td><td>mm</td><td>INCH</td></tr> <tr><td>4 PLACES</td><td>± ---</td><td>± ---</td></tr> <tr><td>3 PLACES</td><td>± ---</td><td>± ---</td></tr> <tr><td>2 PLACES</td><td>± 0.20</td><td>± ---</td></tr> <tr><td>1 PLACE</td><td>± ---</td><td>± ---</td></tr> </table>		mm	INCH	4 PLACES	± ---	± ---	3 PLACES	± ---	± ---	2 PLACES	± 0.20	± ---	1 PLACE	± ---	± ---	DIMENSION STYLE <b>MM ONLY</b>	SCALE NTS	DESIGN UNITS METRIC	THIRD ANGLE PROJECTION
		mm	INCH																		
	4 PLACES	± ---	± ---																		
	3 PLACES	± ---	± ---																		
2 PLACES	± 0.20	± ---																			
1 PLACE	± ---	± ---																			
DRAWN BY: KCHO CHECKED BY: PTLIM APPROVED BY: SCLOW	DATE: 2004/11/05 DATE: 2004/12/08 DATE: 2004/12/10	TITLE <b>2.54MM PITCH          DUAL ROW HEADER          SINGLE WAFER, T/H</b>		DOCUMENT NO. <b>SD-87914-013</b>	SHEET NO. <b>38 OF 46</b>																
DRAFT WHERE APPLICABLE MUST REMAIN WITHIN DIMENSIONS	SIZE <b>A3</b>	THIS DRAWING CONTAINS INFORMATION THAT IS PROPRIETARY TO MOLEX INCORPORATED AND SHOULD NOT BE USED WITHOUT WRITTEN PERMISSION																			



PART NO FOR BULK PACKAGING	PART NO. FOR TUBE WITHOUT CAP PACKAGING	PART NO. FOR TUBE WITH CAP PACKAGING	PART NO. FOR TAPE & REEL WITHOUT CAP PACKAGING	PART NO. FOR TAPE & REEL WITH CAP PACKAGING	CKT SIZE	VOID POSITION	PLATING TYPE	DIMENSION				
								A	B	F	M	P
87914-6611	-----	-----	-----	-----	66	----	1	83.82	81.28	10.92	5.84	2.79
87914-6621	-----	-----	-----	-----	66	----	1	83.82	81.28	12.25	7.00	2.96
87914-6612	-----	-----	-----	-----	66	----	2	83.82	81.28	10.92	5.84	2.79
87914-6622	-----	-----	-----	-----	66	----	2	83.82	81.28	12.25	7.00	2.96
87914-6613	-----	-----	-----	-----	66	----	3	83.82	81.28	10.92	5.84	2.79
87914-6623	-----	-----	-----	-----	66	----	3	83.82	81.28	12.25	7.00	2.96
87914-6614	-----	-----	-----	-----	66	----	4	83.82	81.28	10.92	5.84	2.79
87914-6624	-----	-----	-----	-----	66	----	4	83.82	81.28	12.25	7.00	2.96
87914-6615	-----	-----	-----	-----	66	----	5	83.82	81.28	10.92	5.84	2.79
87914-6625	-----	-----	-----	-----	66	----	5	83.82	81.28	12.25	7.00	2.96
87914-6616	-----	-----	-----	-----	66	----	6	83.82	81.28	10.92	5.84	2.79
87914-6626	-----	-----	-----	-----	66	----	6	83.82	81.28	12.25	7.00	2.96

<b>PG8. +879140108</b> EC NO: S2010-0695 DRWN:ATSEE 2010/02/11 CHKD:PTLIM 2004/12/08 APPR:MLONG 2010/06/05 <b>D7</b>	QUALITY SYMBOLS $F_A=0$ $F_G=0$ $F_P=0$	GENERAL TOLERANCES (UNLESS SPECIFIED) <table border="1"> <tr><th colspan="2">mm</th><th>INCH</th></tr> <tr><td>4 PLACES</td><td>± ---</td><td>± ---</td></tr> <tr><td>3 PLACES</td><td>± ---</td><td>± ---</td></tr> <tr><td>2 PLACES</td><td>± 0.20</td><td>± ---</td></tr> <tr><td>1 PLACE</td><td>± ---</td><td>± ---</td></tr> </table>	mm		INCH	4 PLACES	± ---	± ---	3 PLACES	± ---	± ---	2 PLACES	± 0.20	± ---	1 PLACE	± ---	± ---	DIMENSION STYLE <b>MM ONLY</b> DRAWN BY: KCHO DATE: 2004/11/05 CHECKED BY: PTLIM DATE: 2004/12/08 APPROVED BY: SCLOW DATE: 2004/12/10	SCALE: NTS DESIGN UNITS: METRIC  THIRD ANGLE PROJECTION	TITLE: <b>2.54MM PITCH          DUAL ROW HEADER          SINGLE WAFER, T/H</b>  <b>MOLEX INCORPORATED</b> MATERIAL NO.: SEE TABLE DOCUMENT NO.: SD-87914-013 SHEET NO.: 39 OF 46
	mm		INCH																	
	4 PLACES	± ---	± ---																	
	3 PLACES	± ---	± ---																	
	2 PLACES	± 0.20	± ---																	
1 PLACE	± ---	± ---																		
	DRAFT WHERE APPLICABLE MUST REMAIN WITHIN DIMENSIONS		SIZE: <b>A3</b> THIS DRAWING CONTAINS INFORMATION THAT IS PROPRIETARY TO MOLEX INCORPORATED AND SHOULD NOT BE USED WITHOUT WRITTEN PERMISSION																	

PART NO. FOR BULK PACKAGING	PART NO. FOR TUBE WITHOUT CAP PACKAGING	PART NO. FOR TUBE WITH CAP PACKAGING	PART NO. FOR TAPE & REEL WITHOUT CAP PACKAGING	PART NO. FOR TAPE & REEL WITH CAP PACKAGING	CKT SIZE	VOID POSITION	PLATING TYPE	DIMENSION				
								A	B	F	M	P
								F	87914-6811	-----	-----	-----
	87914-6821	-----	-----	-----	68	----	1	86.36	83.82	12.25	7.00	2.96
	87914-6812	-----	-----	-----	68	----	2	86.36	83.82	10.92	5.84	2.79
	87914-6822	-----	-----	-----	68	----	2	86.36	83.82	12.25	7.00	2.96
	87914-6813	-----	-----	-----	68	----	3	86.36	83.82	10.92	5.84	2.79
	87914-6823	-----	-----	-----	68	----	3	86.36	83.82	12.25	7.00	2.96
E	87914-6814	-----	-----	-----	68	----	4	86.36	83.82	10.92	5.84	2.79
	87914-6824	-----	-----	-----	68	----	4	86.36	83.82	12.25	7.00	2.96
	87914-6815	-----	-----	-----	68	----	5	86.36	83.82	10.92	5.84	2.79
	87914-6825	-----	-----	-----	68	----	5	86.36	83.82	12.25	7.00	2.96
	87914-6816	-----	-----	-----	68	----	6	86.36	83.82	10.92	5.84	2.79
	87914-6826	-----	-----	-----	68	----	6	86.36	83.82	12.25	7.00	2.96
D												
C												
B												

PG8. +879140108 EC NO: S2010-0695 DRW:NATSEE 2010/02/11 CHKD:PTLIM 2004/12/08 APPR:MLONG 2010/06/05 REV D7	QUALITY SYMBOLS ▽ <sub>A</sub> =0 ▽ <sub>C</sub> =0 ▽ <sub>P</sub> =0	GENERAL TOLERANCES (UNLESS SPECIFIED)	DIMENSION STYLE <b>MM ONLY</b>		SCALE NTS	DESIGN UNITS METRIC	THIRD ANGLE PROJECTION
			mm	INCH	DRAWN BY KCHO		DATE 2004/11/05
		4 PLACES ± --- ± ---			CHECKED BY PTLIM	DATE 2004/12/08	MOLEX INCORPORATED
		3 PLACES ± --- ± ---			APPROVED BY SCLOW	DATE 2004/12/10	
		2 PLACES ± 0.20 ± ---			MATERIAL NO.	DOCUMENT NO.	
		1 PLACE ± --- ± ---			<b>SEE TABLE</b>	SD-87914-013	SHEET NO. 40 OF 46
		ANGULAR ± 3°	DRAWN WHERE APPLICABLE MUST REMAIN WITHIN DIMENSIONS		SIZE A3	THIS DRAWING CONTAINS INFORMATION THAT IS PROPRIETARY TO MOLEX INCORPORATED AND SHOULD NOT BE USED WITHOUT WRITTEN PERMISSION	



PART NO FOR BULK PACKAGING	PART NO. FOR TUBE WITHOUT CAP PACKAGING	PART NO. FOR TUBE WITH CAP PACKAGING	PART NO. FOR TAPE & REEL WITHOUT CAP PACKAGING	PART NO. FOR TAPE & REEL WITH CAP PACKAGING	CKT SIZE	VOID POSITION	PLATING TYPE	DIMENSION				
								A	B	F	M	P
								87914-7211	-----	-----	-----	-----
87914-7221	-----	-----	-----	-----	72	----	1	91.44	88.90	12.25	7.00	2.96
87914-7212	-----	-----	-----	-----	72	----	2	91.44	88.90	10.92	5.84	2.79
87914-7222	-----	-----	-----	-----	72	----	2	91.44	88.90	12.25	7.00	2.96
87914-7213	-----	-----	-----	-----	72	----	3	91.44	88.90	10.92	5.84	2.79
87914-7223	-----	-----	-----	-----	72	----	3	91.44	88.90	12.25	7.00	2.96
87914-7214	-----	-----	-----	-----	72	----	4	91.44	88.90	10.92	5.84	2.79
87914-7224	-----	-----	-----	-----	72	----	4	91.44	88.90	12.25	7.00	2.96
87914-7215	-----	-----	-----	-----	72	----	5	91.44	88.90	10.92	5.84	2.79
87914-7225	-----	-----	-----	-----	72	----	5	91.44	88.90	12.25	7.00	2.96
87914-7216	-----	-----	-----	-----	72	----	6	91.44	88.90	10.92	5.84	2.79
87914-7226	-----	-----	-----	-----	72	----	6	91.44	88.90	12.25	7.00	2.96

<b>PG8. +879140108</b> EC NO: S2010-0695 DRWNATSEE 2010/02/11 CHKD:PTLIM 2004/12/08 APPR:MLONG 2010/06/05	QUALITY SYMBOLS $F_A=0$ $F_G=0$ $F_P=0$	GENERAL TOLERANCES (UNLESS SPECIFIED)		DIMENSION STYLE <b>MM ONLY</b>		SCALE NTS	DESIGN UNITS METRIC	THIRD ANGLE PROJECTION			
				mm	INCH	DRAWN BY KCHO	DATE 2004/11/05	<b>2.54MM PITCH DUAL ROW HEADER SINGLE WAFER, T/H</b>			
		4 PLACES		$\pm$ ---	$\pm$ ---	CHECKED BY PTLIM	DATE 2004/12/08				
		3 PLACES		$\pm$ ---	$\pm$ ---	APPROVED BY SCLOW	DATE 2004/12/10			<b>MOLEX INCORPORATED</b>	
2 PLACES		$\pm$ 0.20	$\pm$ ---	MATERIAL NO.		DOCUMENT NO.		SHEET NO.			
1 PLACE		$\pm$ ---	$\pm$ ---	SEE TABLE		SD-87914-013		42 OF 46			
ANGULAR $\pm$ 3 °		DRAFT WHERE APPLICABLE MUST REMAIN WITHIN DIMENSIONS		SIZE A3		THIS DRAWING CONTAINS INFORMATION THAT IS PROPRIETARY TO MOLEX INCORPORATED AND SHOULD NOT BE USED WITHOUT WRITTEN PERMISSION					

PART NO FOR BULK PACKAGING	PART NO. FOR TUBE WITHOUT CAP PACKAGING	PART NO. FOR TUBE WITH CAP PACKAGING	PART NO. FOR TAPE & REEL WITHOUT CAP PACKAGING	PART NO. FOR TAPE & REEL WITH CAP PACKAGING	CKT SIZE	VOID POSITION	PLATING TYPE	DIMENSION				
								A	B	F	M	P
F 87914-7411	-----	-----	-----	-----	74	----	1	93.98	91.44	10.92	5.84	2.79
87914-7421	-----	-----	-----	-----	74	----	1	93.98	91.44	12.25	7.00	2.96
87914-7412	-----	-----	-----	-----	74	----	2	93.98	91.44	10.92	5.84	2.79
87914-7422	-----	-----	-----	-----	74	----	2	93.98	91.44	12.25	7.00	2.96
87914-7413	-----	-----	-----	-----	74	----	3	93.98	91.44	10.92	5.84	2.79
87914-7423	-----	-----	-----	-----	74	----	3	93.98	91.44	12.25	7.00	2.96
E 87914-7414	-----	-----	-----	-----	74	----	4	93.98	91.44	10.92	5.84	2.79
87914-7424	-----	-----	-----	-----	74	----	4	93.98	91.44	12.25	7.00	2.96
87914-7415	-----	-----	-----	-----	74	----	5	93.98	91.44	10.92	5.84	2.79
87914-7425	-----	-----	-----	-----	74	----	5	93.98	91.44	12.25	7.00	2.96
87914-7416	-----	-----	-----	-----	74	----	6	93.98	91.44	10.92	5.84	2.79
87914-7426	-----	-----	-----	-----	74	----	6	93.98	91.44	12.25	7.00	2.96
D												
C												
B												

<b>PG8. +879140108</b> EC NO: S2010-0695 DRWN:ATSEE 2010/02/11 CHKD:PTLIM 2004/12/08 APPR:MLONG 2010/06/05	QUALITY SYMBOLS	GENERAL TOLERANCES (UNLESS SPECIFIED)	DIMENSION STYLE	SCALE	DESIGN UNITS	THIRD ANGLE PROJECTION																				
	$F_A=0$ $F_G=0$ $F_P=0$	<table border="1"> <tr><th colspan="2">mm</th><th>INCH</th></tr> <tr><td>4 PLACES</td><td>± ---</td><td>± ---</td></tr> <tr><td>3 PLACES</td><td>± ---</td><td>± ---</td></tr> <tr><td>2 PLACES</td><td>± 0.20</td><td>± ---</td></tr> <tr><td>1 PLACE</td><td>± ---</td><td>± ---</td></tr> </table>	mm		INCH	4 PLACES	± ---	± ---	3 PLACES	± ---	± ---	2 PLACES	± 0.20	± ---	1 PLACE	± ---	± ---	MM ONLY	NTS	METRIC						
	mm		INCH																							
	4 PLACES	± ---	± ---																							
3 PLACES	± ---	± ---																								
2 PLACES	± 0.20	± ---																								
1 PLACE	± ---	± ---																								
DESCRIPTION	<table border="1"> <tr><td>DRAWN BY</td><td>DATE</td><td>TITLE</td></tr> <tr><td>KCHO</td><td>2004/11/05</td><td rowspan="3">2.54MM PITCH DUAL ROW HEADER SINGLE WAFER, T/H</td></tr> <tr><td>CHECKED BY</td><td>DATE</td></tr> <tr><td>PTLIM</td><td>2004/12/08</td></tr> <tr><td>APPROVED BY</td><td>DATE</td><td rowspan="2">MOLEX INCORPORATED</td></tr> <tr><td>SCLOW</td><td>2004/12/10</td></tr> <tr><td>MATERIAL NO.</td><td>DOCUMENT NO.</td><td></td></tr> <tr><td>SEE TABLE</td><td>SD-87914-013</td><td></td></tr> </table>	DRAWN BY	DATE	TITLE	KCHO	2004/11/05	2.54MM PITCH DUAL ROW HEADER SINGLE WAFER, T/H	CHECKED BY	DATE	PTLIM	2004/12/08	APPROVED BY	DATE	MOLEX INCORPORATED	SCLOW	2004/12/10	MATERIAL NO.	DOCUMENT NO.		SEE TABLE	SD-87914-013					
DRAWN BY	DATE	TITLE																								
KCHO	2004/11/05	2.54MM PITCH DUAL ROW HEADER SINGLE WAFER, T/H																								
CHECKED BY	DATE																									
PTLIM	2004/12/08																									
APPROVED BY	DATE	MOLEX INCORPORATED																								
SCLOW	2004/12/10																									
MATERIAL NO.	DOCUMENT NO.																									
SEE TABLE	SD-87914-013																									
D7	DRAFT WHERE APPLICABLE MUST REMAIN WITHIN DIMENSIONS	THIS DRAWING CONTAINS INFORMATION THAT IS PROPRIETARY TO MOLEX INCORPORATED AND SHOULD NOT BE USED WITHOUT WRITTEN PERMISSION	SIZE																							

PART NO FOR BULK PACKAGING	PART NO. FOR TUBE WITHOUT CAP PACKAGING	PART NO. FOR TUBE WITH CAP PACKAGING	PART NO. FOR TAPE & REEL WITHOUT CAP PACKAGING	PART NO. FOR TAPE & REEL WITH CAP PACKAGING	CKT SIZE	VOID POSITION	PLATING TYPE	DIMENSION				
								A	B	C	D	E
87914-7611	-----	-----	-----	-----	76	-----	1	96.52	93.98	10.92	5.84	2.79
87914-7621	-----	-----	-----	-----	76	-----	1	96.52	93.98	12.25	7.00	2.96
87914-7612	-----	-----	-----	-----	76	-----	2	96.52	93.98	10.92	5.84	2.79
87914-7622	-----	-----	-----	-----	76	-----	2	96.52	93.98	12.25	7.00	2.96
87914-7613	-----	-----	-----	-----	76	-----	3	96.52	93.98	10.92	5.84	2.79
87914-7623	-----	-----	-----	-----	76	-----	3	96.52	93.98	12.25	7.00	2.96
87914-7614	-----	-----	-----	-----	76	-----	4	96.52	93.98	10.92	5.84	2.79
87914-7624	-----	-----	-----	-----	76	-----	4	96.52	93.98	12.25	7.00	2.96
87914-7615	-----	-----	-----	-----	76	-----	5	96.52	93.98	10.92	5.84	2.79
87914-7625	-----	-----	-----	-----	76	-----	5	96.52	93.98	12.25	7.00	2.96
87914-7616	-----	-----	-----	-----	76	-----	6	96.52	93.98	10.92	5.84	2.79
87914-7626	-----	-----	-----	-----	76	-----	6	96.52	93.98	12.25	7.00	2.96

<b>PG8, +879140108</b> EC NO: S2010-0695 DRWN:ATSEE 2010/02/11 CHY:KPTLM 2004/12/08 APPR:MLONG 2010/06/05	<b>QUALITY SYMBOLS</b> $F_A = 0$ $F_G = 0$ $F_P = 0$	<b>GENERAL TOLERANCES (UNLESS SPECIFIED)</b>		<b>DIMENSION STYLE</b> <b>MM ONLY</b>		<b>SCALE</b> NTS	<b>DESIGN UNITS</b> METRIC	<b>THIRD ANGLE PROJECTION</b>	
		mm          INCH		DRAWN BY          DATE	TITLE				
		4 PLACES ± --- ± --- 3 PLACES ± --- ± --- 2 PLACES ± 0.20 ± --- 1 PLACE ± --- ± --- ANGULAR ± 3 °		KCHO          2004/11/05 CHECKED BY          DATE PTL IM          2004/12/08 APPROVED BY          DATE SCLOW          2004/12/10	<b>2.54MM PITCH DUAL ROW HEADER SINGLE WAFER, T/H</b>  <b>MOLEX INCORPORATED</b>				
<b>DRAFT WHERE APPLICABLE MUST REMAIN WITHIN DIMENSIONS</b>			<b>SEE TABLE</b>		MATERIAL NO.	DOCUMENT NO.	<b>SD-87914-013</b>		SHEET NO.
			<b>SIZE</b> <b>A3</b>		THIS DRAWING CONTAINS INFORMATION THAT IS PROPRIETARY TO MOLEX INCORPORATED AND SHOULD NOT BE USED WITHOUT WRITTEN PERMISSION				

F	PART NO FOR BULK PACKAGING	PART NO. FOR TUBE WITHOUT CAP PACKAGING	PART NO. FOR TUBE WITH CAP PACKAGING	PART NO. FOR TAPE & REEL WITHOUT CAP PACKAGING	PART NO. FOR TAPE & REEL WITH CAP PACKAGING	CKT SIZE	VOID POSITION	PLATING TYPE	DIMENSION				
									A	B	F	M	P
									87914-7811	-----	-----	-----	-----
87914-7821	-----	-----	-----	-----	78	----	1	99.06	96.52	12.25	7.00	2.96	
87914-7812	-----	-----	-----	-----	78	----	2	99.06	96.52	10.92	5.84	2.79	
87914-7822	-----	-----	-----	-----	78	----	2	99.06	96.52	12.25	7.00	2.96	
87914-7813	-----	-----	-----	-----	78	----	3	99.06	96.52	10.92	5.84	2.79	
87914-7823	-----	-----	-----	-----	78	----	3	99.06	96.52	12.25	7.00	2.96	
87914-7814	-----	-----	-----	-----	78	----	4	99.06	96.52	10.92	5.84	2.79	
87914-7824	-----	-----	-----	-----	78	----	4	99.06	96.52	12.25	7.00	2.96	
87914-7815	-----	-----	-----	-----	78	----	5	99.06	96.52	10.92	5.84	2.79	
87914-7825	-----	-----	-----	-----	78	----	5	99.06	96.52	12.25	7.00	2.96	
87914-7816	-----	-----	-----	-----	78	----	6	99.06	96.52	10.92	5.84	2.79	
87914-7826	-----	-----	-----	-----	78	----	6	99.06	96.52	12.25	7.00	2.96	
D													
C													
B													

<b>PG8. +879140108</b> EC NO: S2010-0695 DRWN:ATSEE 2010/02/11 CHKD:PTLIM 2004/12/08 APPR:MLONG 2010/06/05 <b>D7</b>	QUALITY SYMBOLS	GENERAL TOLERANCES (UNLESS SPECIFIED)	DIMENSION STYLE	SCALE	DESIGN UNITS	THIRD ANGLE PROJECTION
	$F_{\Delta}=0$	mm INCH	MM ONLY	NTS	METRIC	
	$F_{\square}=0$	4 PLACES ± --- ± ---	DRAWN BY DATE	TITLE		
	$F_{\circ}=0$	3 PLACES ± --- ± ---	KCHO 2004/11/05	2.54MM PITCH DUAL ROW HEADER SINGLE WAFER, T/H		
	2 PLACES ± 0.20 ± ---	CHECKED BY DATE	MOLEX INCORPORATED			
	1 PLACE ± --- ± ---	PTLIM 2004/12/08	DOCUMENT NO.			
	ANGULAR ± 3 °	APPROVED BY DATE	SHEET NO.			
		SCLOW 2004/12/10	SD-87914-013 45 OF 46			
		MATERIAL NO.	THIS DRAWING CONTAINS INFORMATION THAT IS PROPRIETARY TO MOLEX INCORPORATED AND SHOULD NOT BE USED WITHOUT WRITTEN PERMISSION			
		SEE TABLE				

