

**PLEASE CHECK WWW.MOLEX.COM FOR LATEST PART INFORMATION**

**Part Number:** [0039302032](#)  
**Status:** **Active**  
**Overview:** [minifit\\_jr](#)  
**Description:** 4.20mm (.165") Pitch Mini-Fit Jr.™ Header, Single Row, Vertical, with Snap-in Plastic Peg PCB Lock, 3 Circuits, PA Polyamide Nylon 6/6, UL 94V-0, 0.76µm (30µ") Gold (Au) Selective Plating, without Drain Holes

**Documents:**

[3D Model](#) [Product Specification PS-5556-001 \(PDF\)](#)  
[Drawing \(PDF\)](#) [RoHS Certificate of Compliance \(PDF\)](#)

**Agency Certification**

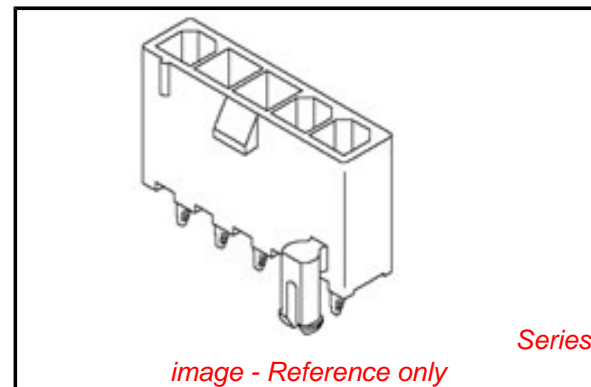
|     |           |
|-----|-----------|
| CSA | LR19980   |
| TUV | R72081037 |
| UL  | E29179    |

**General**

|                |  |
|----------------|--|
| Product Family | PCB Headers  |
| Series         | <a href="#">5566</a>   |
| Application    | Wire-to-Board  |
| Comments       | Current = 13A max. per circuit when header is mated to a receptacle loaded with <a href="#">45750</a> Mini-Fit Plus HCS™ Crimp Terminal Crimped to to 16 AWG wire. . See Molex product specification PS-45750-001 for additional current de-rating information.. High Temperature, Square Pin, Solder Type |
| Overview       | <a href="#">minifit_jr</a>   |
| Product Name   | Mini-Fit Jr.™  |

**Physical**

|                                |          |
|--------------------------------|----------|
| Breakaway                      | No       |
| Circuits (Loaded)              | 3        |
| Circuits (maximum)             | 3        |
| Color - Resin                  | Natural  |
| Durability (mating cycles max) | 30       |
| First Mate / Last Break        | No       |
| Flammability                   | 94V-0    |
| Glow-Wire Compliant            | No       |
| Guide to Mating Part           | No       |
| Keying to Mating Part          | None     |
| Lock to Mating Part            | Yes      |
| Material - Metal               | Brass    |
| Material - Plating Mating      | Gold     |
| Material - Plating Termination | Tin      |
| Material - Resin               | Nylon    |
| Number of Rows                 | 1        |
| Orientation                    | Vertical |
| PC Tail Length (in)            | 0.138 In |
| PC Tail Length (mm)            | 3.50 mm  |
| PCB Locator                    | Yes      |
| PCB Retention                  | Yes      |
| PCB Thickness Recommended (in) | 0.062 In |
| PCB Thickness Recommended (mm) | 1.60 mm  |
| Packaging Type                 | Tray     |
| Pitch - Mating Interface (in)  | 0.165 In |
| Pitch - Mating Interface (mm)  | 4.20 mm  |



**EU RoHS**

**ELV and RoHS Compliant**  
**REACH SVHC**  
 Not Reviewed  
**Halogen-Free Status**

**China RoHS**



**Need more information on product environmental compliance?**

Email [productcompliance@molex.com](mailto:productcompliance@molex.com)  
 For a multiple part number RoHS Certificate of Compliance, [click here](#)

Please visit the [Contact Us](#) section for any non-product compliance questions.

**Search Parts in this Series**

[5566Series](#)

**Mates With**

[5557](#) Mini-Fit Jr.™ Receptacle Housing

|                                |                 |
|--------------------------------|-----------------|
| Pitch - Term. Interface (in)   | 0.165 In        |
| Pitch - Term. Interface (mm)   | 4.20 mm         |
| Plating min: Mating (µin)      | 30.4            |
| Plating min: Mating (µm)       | 0.76            |
| Plating min: Termination (µin) | 101.6           |
| Plating min: Termination (µm)  | 2.54            |
| Polarized to Mating Part       | Yes             |
| Polarized to PCB               | Yes             |
| Shrouded                       | Fully           |
| Stackable                      | No              |
| Surface Mount Compatible (SMC) | No              |
| Temperature Range - Operating  | -40°C to +105°C |
| Termination Interface: Style   | Through Hole    |

### **Electrical**

|                               |      |
|-------------------------------|------|
| Current - Maximum per Contact | 13A  |
| Voltage - Maximum             | 600V |

### **Solder Process Data**

|  |                        |
|--|------------------------|
| Duration at Max. Process Temperature (seconds) | 5                      |
| Lead-free Process Capability                   | Wave Capable (TH only) |
| Max. Cycles at Max. Process Temperature        | 1                      |
| Process Temperature max. C                     | 240                    |

### **Material Info**

|                 |                |
|-----------------|----------------|
| Old Part Number | A556603A3GS210 |
|-----------------|----------------|

### **Reference - Drawing Numbers**

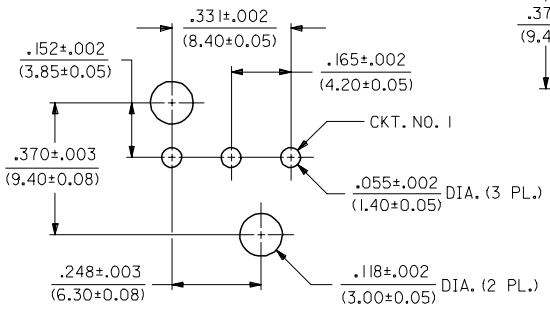
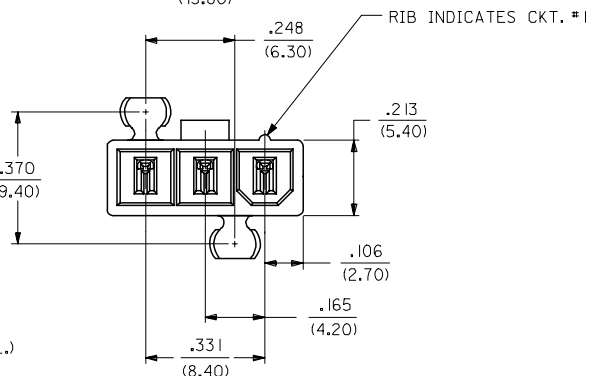
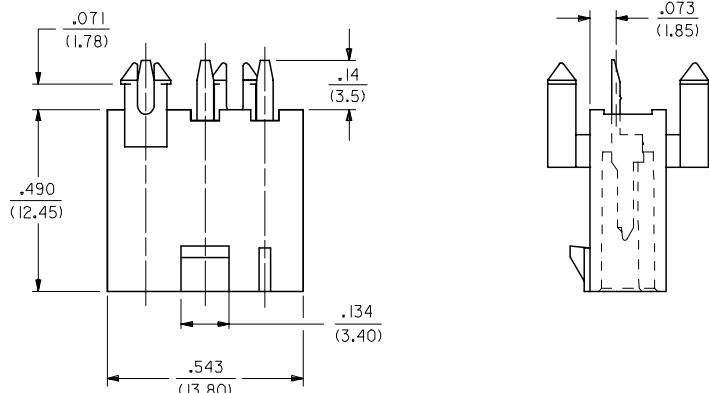
|                         |                |
|-------------------------|----------------|
| Packaging Specification | PK-5566-002    |
| Product Specification   | PS-5556-001    |
| Sales Drawing           | SDA-5566-03*3* |
| Test Summary            | TS-5556-002    |

This document was generated on 05/21/2010

**PLEASE CHECK [WWW.MOLEX.COM](http://WWW.MOLEX.COM) FOR LATEST PART INFORMATION**

- NOTES:
- MATERIALS:  
HOUSING:  
"BLANK"=NYLON 6/6, UL94 V-2, COLOR: NATURAL  
"210"=NYLON 6/6, UL94 V-0, COLOR: NATURAL  
TERMINALS:  
BRASS
  - TERMINAL PLATING:  
"BLANK"=.000035/(0.00090) MIN. BRIGHT TIN OVER  
.000020/(0.00050) MIN. COPPER  
\*GS2=.000015/(0.00038) MIN. SELECT GOLD AND  
.000100/(0.00254) MIN. SELECT MATTE TIN  
OVER .000050/(0.00127) MIN. NICKEL OVERALL  
\*GS=.000030/(0.00076) MIN. SELECT GOLD AND  
.000100/(0.00254) MIN. SELECT MATTE TIN  
OVER .000050/(0.00127) MIN. NICKEL OVERALL  
S=.000100/(0.00254) MIN. BRIGHT TIN OVER  
.000050/(0.00127) MIN. NICKEL  
\*THE PRIMARY SHIPPING CARTON WILL BE LABELED  
"ELV AND RoHS COMPLIANT"; CARTONS WITHOUT  
THIS LABEL MAY CONTAIN PRODUCT WITH  
TIN-LEAD PLATING.
  - PRODUCT SPECIFICATION: PS-5566-001
  - PACKAGING: TRAY PACKED PER PK-5566-002
  - PART MATES WITH MINI-FIT JR. RECEPTACLE NO. 5557.
  - ALL DIMENSIONS ARE REFERENCE UNLESS OTHERWISE SPECIFIED.
  - PART IS NOT DESIGNED FOR CURRENT SHARING.
  - PARTS ARE NOT TO BE MATED OR UN-MATED WHILE CIRCUITS ARE LIVE.
  - PART CONFORMS TO CLASS 'B' REQUIREMENTS OF COSMETIC SPECIFICATION PS-45499-002.

| PART NO.   | ENG. NO.       | ASS'Y. TYPE | HOUSING MAT'L. (SEE NOTE 1) | PLATING (SEE NOTE 2) |
|------------|----------------|-------------|-----------------------------|----------------------|
| 39-30-1039 | 5566-03A3      | A           | "BLANK"                     | "BLANK"              |
| 39-30-2033 | -03A3GS2       | A           |                             | GS2                  |
| 39-30-2031 | -03A3GS        | A           |                             | GS                   |
| 39-30-5037 | -03A3S         | A           |                             | S                    |
| 39-30-2035 | -03B3          | B           |                             | "BLANK"              |
| 39-30-2039 | -03B3GS2       | B           |                             | GS2                  |
| 39-30-2037 | -03B3GS        | B           |                             | GS                   |
| 39-30-5039 | -03B3S         | B           | "BLANK"                     | S                    |
| 39-30-2030 | -03A3-210      | A           | 210                         | "BLANK"              |
| 39-30-2034 | -03A3GS2-210   | A           |                             | GS2                  |
| 39-30-2032 | -03A3GS-210    | A           |                             | GS                   |
| 39-30-5038 | -03A3S-210     | A           |                             | S                    |
| 39-30-2036 | -03B3-210      | B           |                             | "BLANK"              |
| 39-30-3030 | -03B3GS2-210   | B           |                             | GS2                  |
| 39-30-2038 | -03B3GS-210    | B           |                             | GS                   |
| 39-30-6030 | 5566-03B3S-210 | B           | 210                         | S                    |



RECOMMENDED HOLE LAYOUT FOR  
.070/(1.78) MAX. THICK P. C. BOARD

LEGEND  
5566-03\*3\*-\*\*\*

- BASE NO.
- CIRCUIT SIZE
- ASS'Y. TYPE  
A = WITHOUT DRAIN HOLES  
B = WITH DRAIN HOLES
- MOUNTING  
3 = PEGS
- PLATING  
(SEE NOTE 2)
- HOUSING MATERIAL  
(SEE NOTE 1)

|   |   |  |  |  |
|---|---|--|--|--|
| TRAY PACKAGING<br>EC NO: UCP2008-0153<br>DRWNL: SUSHI DT 2007/09/26<br>CHKD: ADERR 2007/09/26<br>APPR: FSN TH 2007/09/26<br>REV DESCRIPTION | QUALITY SYMBOLS<br>▽=0<br>▽=0   | GENERAL TOLERANCES (UNLESS SPECIFIED)<br>mm INCH<br>4 PLACES ± --- ± ---<br>3 PLACES ± --- ± .010<br>2 PLACES ± 0.25 ± .015<br>1 PLACE ± 0.38 ± ---<br>ANGULAR ±1/2° | DIMENSION STYLE<br>IN/MM<br>DRAWN BY DATE<br>GEP 1990/06/07<br>CHECKED BY DATE<br>RJF 1990/06/07<br>APPROVED BY DATE<br>RAS 1990/06/07 | SCALE 4:1<br>DESIGN UNITS METRIC<br>THIRD ANGLE PROJECTION |
|   | MATERIAL NO.<br>SEE CHART<br>DRAFT WHERE APPLICABLE MUST REMAIN WITHIN DIMENSIONS | TITLE<br>MINI-FIT JR. VERT. HDR. ASSY. W/PEGS, WITH & W/O DRAIN HOLES (SINGLE ROW)<br>MOLEX MOLEX INCORPORATED<br>DOCUMENT NO. SDA-5566-03*3*<br>SHEET NO. 1 OF 1    |  |  |