

PLEASE CHECK WWW.MOLEX.COM FOR LATEST PART INFORMATION

Part Number: **0559351110**
Status: **Active**
Overview: microclasp
Description: 2.00mm (.079") Pitch MicroClasp™ Wire-to-Board Header, Single Row, Right Angle, 11 Circuits, with PCB Locator

Documents:

[3D Model](#) [Product Specification PS-51382-004 \(PDF\)](#)
[Drawing \(PDF\)](#) [RoHS Certificate of Compliance \(PDF\)](#)

General

Product Family	PCB Headers
Series	55935
Application	Wire-to-Board
Overview	microclasp
Product Name	MicroClasp™

Physical

Breakaway	No
Circuits (Loaded)	11
Circuits (maximum)	11
Color - Resin	Natural
Durability (mating cycles max)	30
First Mate / Last Break	No
Glow-Wire Compliant	No
Guide to Mating Part	No
Keying to Mating Part	None
Lock to Mating Part	Yes
Material - Plating Mating	Tin
Material - Plating Termination	Tin
Material - Resin	Polyester
Number of Rows	1
Orientation	Right Angle
PC Tail Length (in)	0.126 In
PC Tail Length (mm)	3.20 mm
PCB Locator	Yes
PCB Retention	Yes
PCB Thickness Recommended (in)	0.062 In
PCB Thickness Recommended (mm)	1.60 mm
Packaging Type	Tray
Pitch - Mating Interface (in)	0.079 In
Pitch - Mating Interface (mm)	2.00 mm
Shrouded	Fully
Stackable	No
Surface Mount Compatible (SMC)	No
Temperature Range - Operating	-25°C to +85°C
Termination Interface: Style	Through Hole

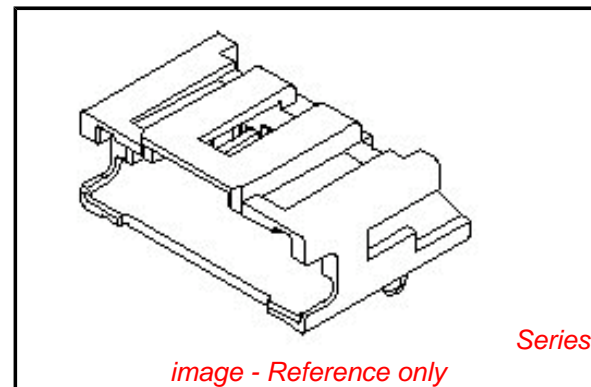
Electrical

Current - Maximum per Contact	3A
Voltage - Maximum	250V

Material Info

Reference - Drawing Numbers

Packaging Specification	SPK-55935-001
-------------------------	---------------



EU RoHS

ELV and RoHS Compliant
REACH SVHC Contains SVHC: No
Halogen-Free Status

China RoHS



Not Reviewed

Need more information on product environmental compliance?

Email productcompliance@molex.com
 For a multiple part number RoHS Certificate of Compliance, [click here](#)

Please visit the [Contact Us](#) section for any non-product compliance questions.

Search Parts in this Series

[55935Series](#)

Mates With

[51382 MicroClasp™ Wire-to-Board Receptacle Housing](#)

Product Specification

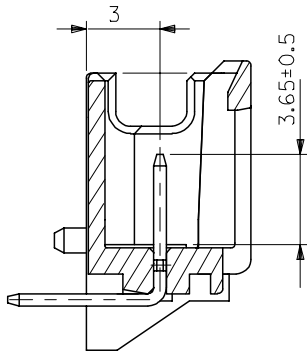
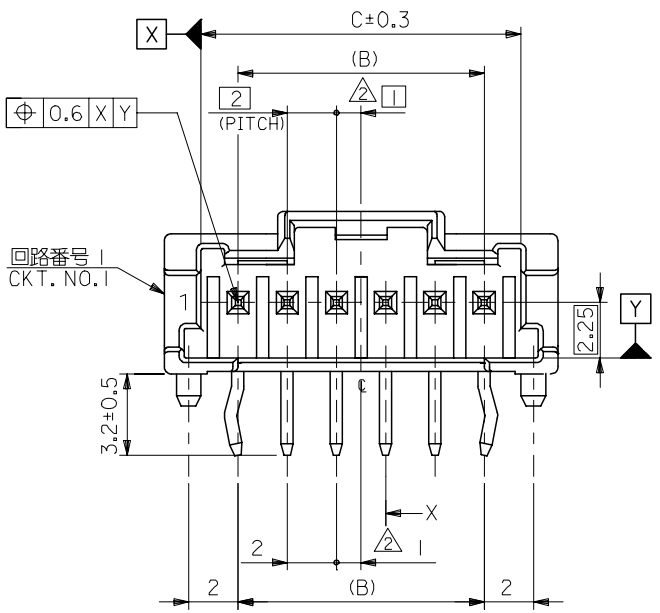
PS-51382-004, RPS-51382-006, RPS-51382-007,
RPS-51382-008, RPS-51382-009, RPS-51382-010,
RPS-51382-011, RPS-51382-012, RPS-51382-013,
RPS-51382-014, RPS-51382-015
SD-55935-005

Sales Drawing

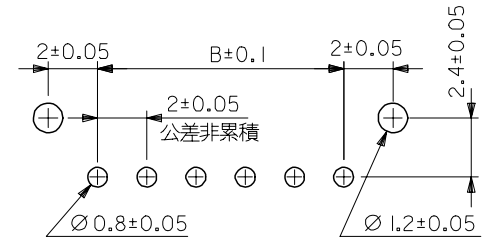
This document was generated on 05/25/2010

PLEASE CHECK WWW.MOLEX.COM FOR LATEST PART INFORMATION

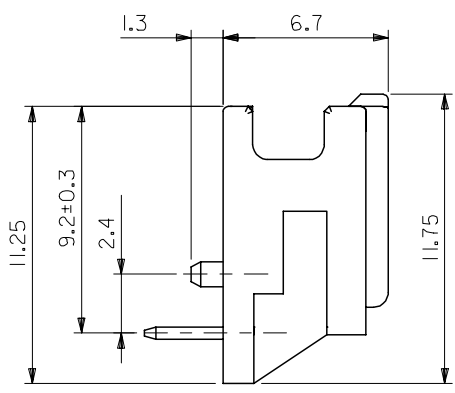
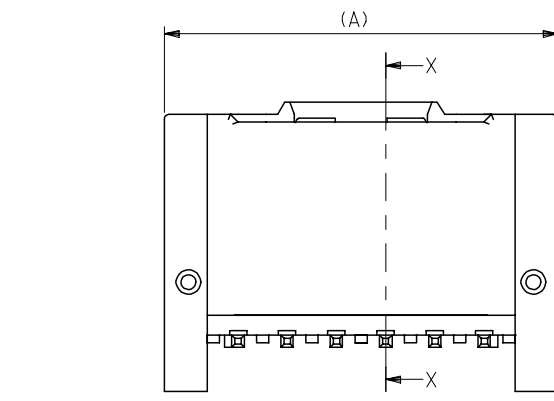
10 9 8 7 6 5 4 3 2 1



NOTE
 1. 嵌合相手: 51382-****
 △ 偶数極 (列) に適用。
 3. キングは両外側の位置に付加。
 △ 製品番号 MATERIAL NO.
 55935-****



推奨基板寸法
 (t = 1.6)



3~15極 側面図

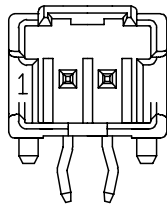
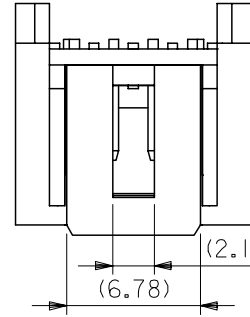
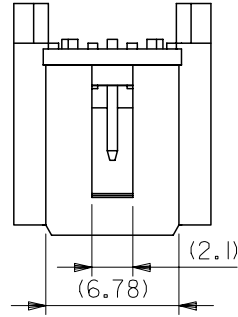
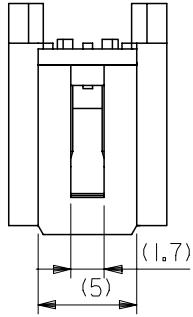
極数	CIRCUIT SIZE	色	COLOR
10		自然色 (白)	NATURAL (WHITE)
11		黒	BLACK
12		赤	RED
13		黄	YELLOW
14		青	BLUE
15		桃	PINK
16		緑	GREEN
17		茶	BROWN
18		橙	ORANGE
19		紫	VIOLET
41		灰	GRAY
43		蛍光黄	FLUORESCENCE YELLOW
44		水	PALE BLUE
46		黄緑	YELLOWISH GREEN

31	28	34	55935-15**	15
29	26	32	55935-14**	14
27	24	30	55935-13**	13
25	22	28	55935-12**	12
23	20	26	55935-11**	11
21	18	24	55935-10**	10
19	16	22	55935-09**	9
17	14	20	55935-08**	8
15	12	18	55935-07**	7
13	10	16	55935-06**	6
11	8	14	55935-05**	5
9	6	12	55935-04**	4
7	4	10	55935-03**	3
5	2	8	55935-02**	2
C	B	A	MATERIAL NO.	CKT.
MODEL NO.: 55935-****				

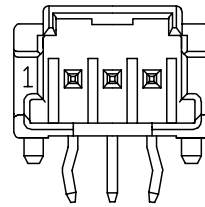
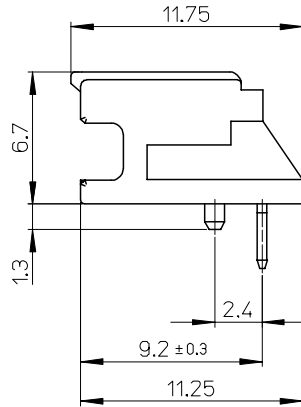
MATERIAL
 ピン: 黄銅、ニッケル下地鍍メッキ
 ハウジング: PBT

REVISED EC NO: J2007-1674 DRW: MABEI 2006/12/11 CHK: K: TOYODA 2006/12/12 APPR: NUKITA 2006/12/13	GENERAL TOLERANCES (UNLESS SPECIFIED)		DIMENSION STYLE MM ONLY		SCALE ---	DESIGN UNITS METRIC	THIRD ANGLE PROJECTION
	10 UNDER	± ---	DRAWN BY T. NIITSU	DATE '02/05/15	TITLE 2.0 W/B SINGLE CONN. PLUG HOUSING ASS'Y R/A -LEAD FREE-		
	10 OVER 30 UNDER	± ---	CHECKED BY K. ASAKAWA	DATE '03/06/12	MOLEX INCORPORATED		
	30 OVER	± ---	APPROVED BY T. YAMAGUCHI	DATE '03/06/12	SD-55935-005		
	ANGULAR ± --- °	DRAFT WHERE APPLICABLE MUST REMAIN WITHIN DIMENSIONS		MATERIAL NO. SEE CHART		DOCUMENT NO.	SHEET NO. 1 OF 2
		THIS DRAWING CONTAINS INFORMATION THAT IS PROPRIETARY TO MOLEX INCORPORATED AND SHOULD NOT BE USED WITHOUT WRITTEN PERMISSION					

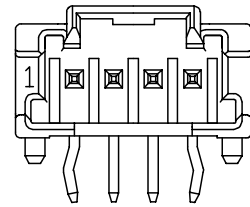
10 9 8 7 6 5 4 3 2 1



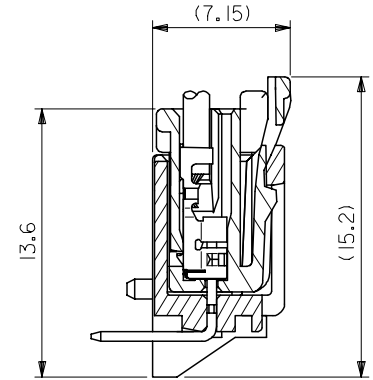
2 CIRCUIT



3 CIRCUIT



4 CIRCUIT



嵌合断面図

MODEL NO. : 55935-****

REVISED EC NO: J2007-1674 DRWN: NABEI 2006/12/11 CHKD: TOYODA 2006/12/12 APPR: NUKITA 2006/12/13	GENERAL TOLERANCES (UNLESS SPECIFIED)		DIMENSION STYLE MM ONLY		SCALE ---	DESIGN UNIT'S METRIC	THIRD ANGLE PROJECTION		
	10 UNDER	± ---	DRAWN BY T. NIITSU	DATE '02/05/15	TITLE 2.0 W/B SINGLE CONN. PLUG HOUSING ASS'Y R/A -LEAD FREE-				
	10 ⁰ OVER 30 UNDER	± ---	CHECKED BY K. ASAKAWA	DATE '03/06/12					
	30 ⁰ OVER	± ---	APPROVED BY T. YAMAGUCHI	DATE '03/06/12	MOLEX INCORPORATED				
	ANGULAR	± --- °	MATERIAL NO.	DOCUMENT NO.					SHEET NO. 2 OF 2
DRAFT WHERE APPLICABLE MUST REMAIN WITHIN DIMENSIONS		SIZE A3		SEE CHART				SD-55935-005	