

# Customer Information Sheet

DRAWING No.: S1731-XXR

SHEET 2 OF 2

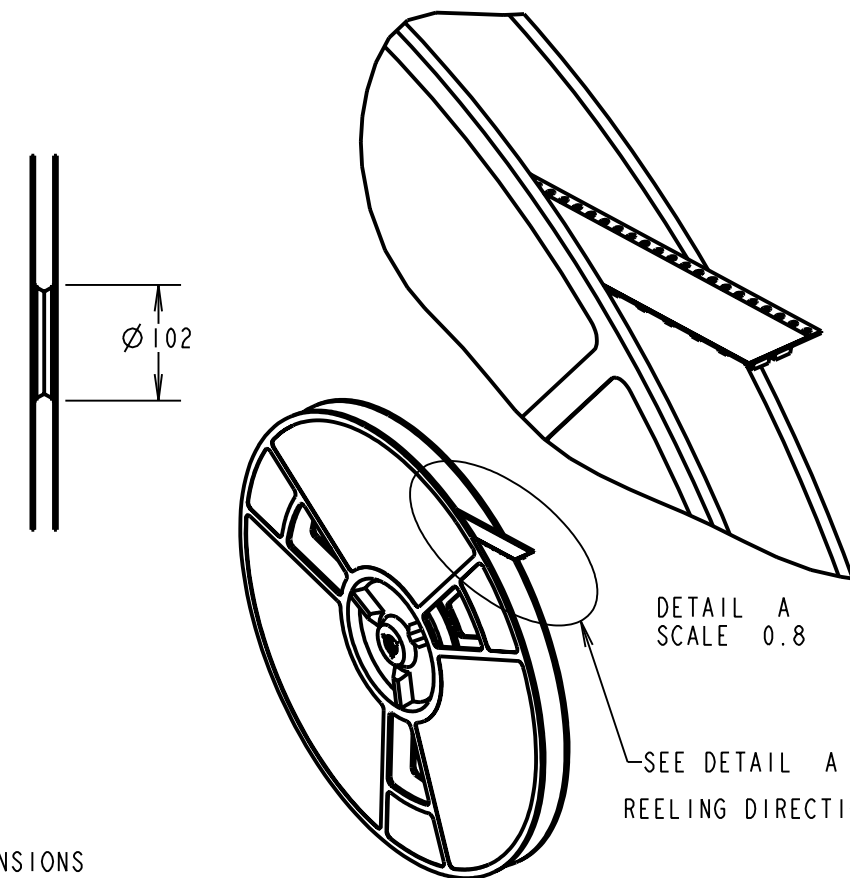
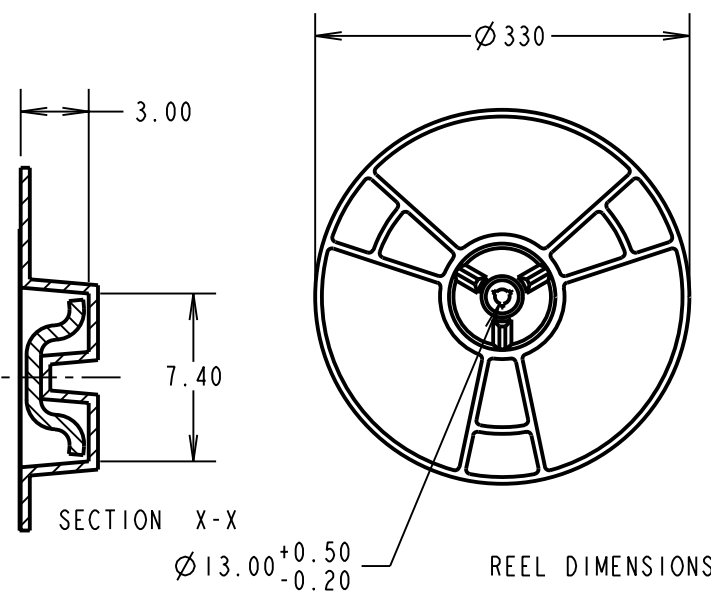
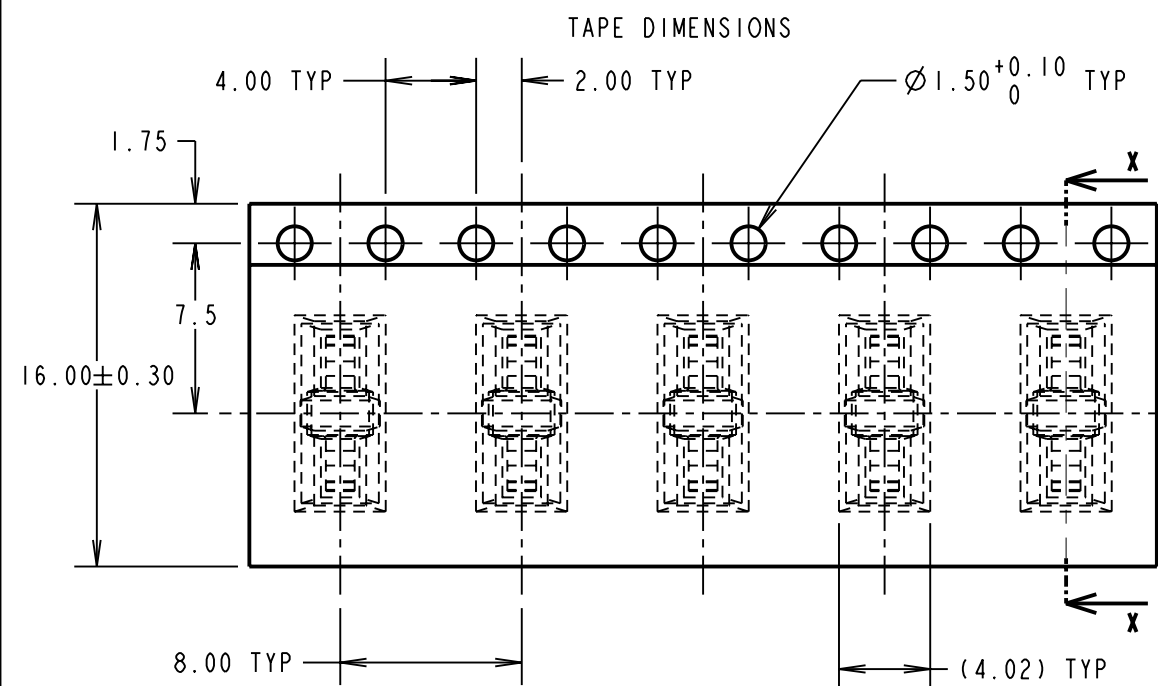
IF IN DOUBT - ASK

(C)

NOT TO SCALE

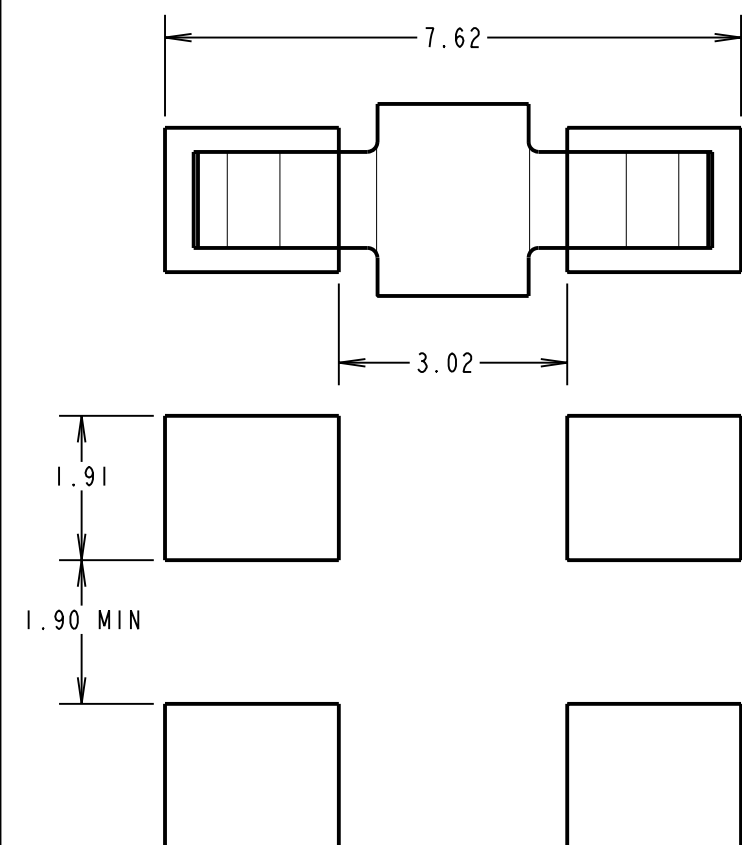
THIRD ANGLE PROJECTION

ALL DIMENSIONS IN mm

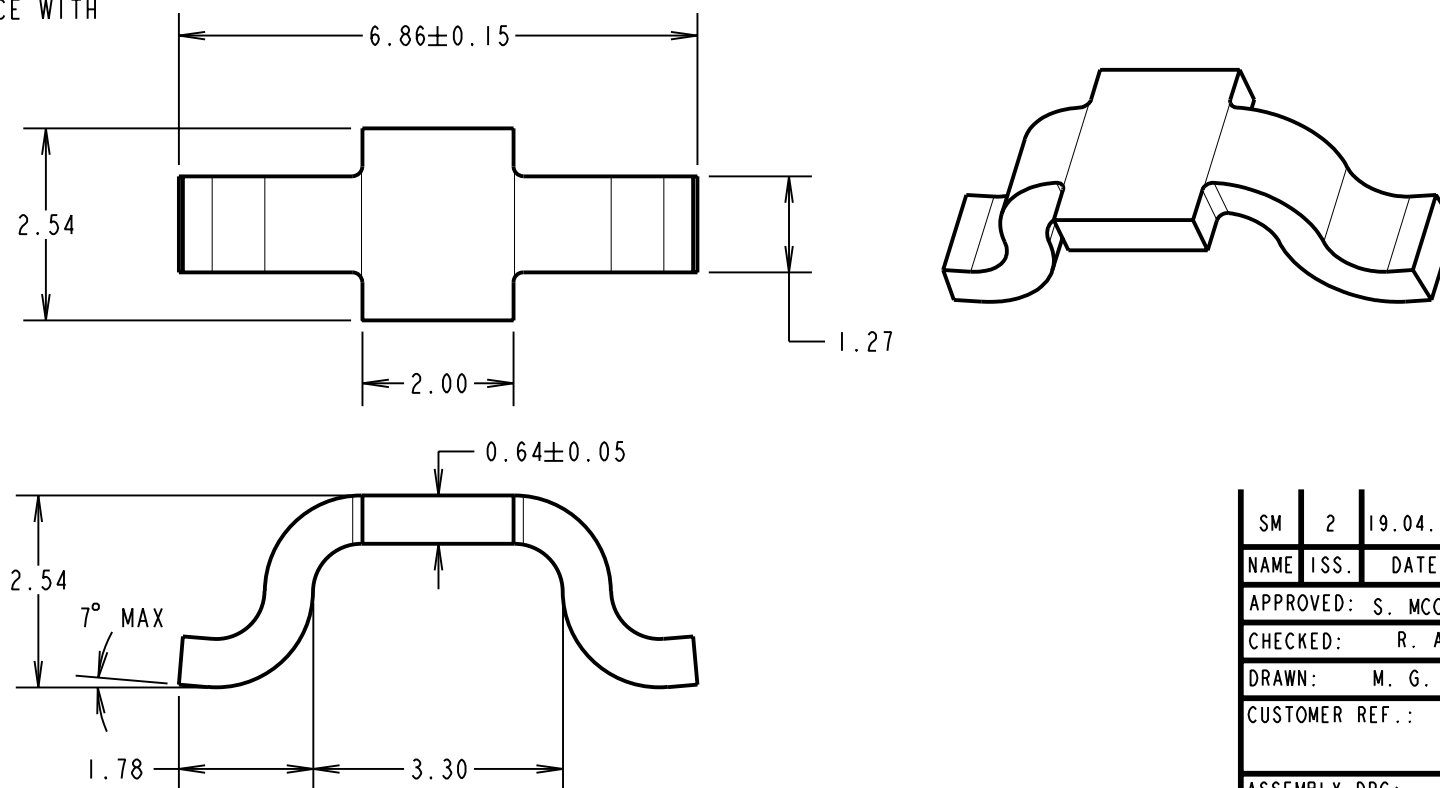


- NOTES:
1. QUANTITY PER REEL = 2,500.
  2. THIS PRODUCT IS TAPED AND REELED IN ACCORDANCE WITH EIA-481 (ELECTRONIC INDUSTRIES ASSOCIATION).

RECOMMENDED PAD LAYOUT



SINGLE COMPONENT DIMENSIONS



COMPONENT SPECIFICATION:  
 MATERIAL = CW004A ETP COPPER 65-100 VPM  
 FINISH:  
 06 = 3µ 90/10 TIN/LEAD  
 46 = 3µ 100% TIN  
 CURRENT RATING = 10A (30°C TEMP RISE)

SM	2	19.04.10	10743
NAME	ISS.	DATE	C/NOTE
APPROVED: S. MCCULLAGH			
CHECKED: R. ADDE			
DRAWN: M. G. PLESTED			
CUSTOMER REF.:			
ASSEMBLY DRG:			

<b>HARWIN</b>			THIS DRAWING AND ANY INFORMATION OR DESCRIPTIVE MATTER SET OUT HEREON ARE CONFIDENTIAL AND COPYRIGHT PROPERTY OF THE HARWIN GROUP AND MUST NOT BE DISCLOSED, LOANED, COPIED OR USED FOR MANUFACTURING, TENDERING OR FOR ANY OTHER PURPOSE WITHOUT THEIR WRITTEN PERMISSION.	TOLERANCES X. = ±1mm X.X = ±0.25mm X.XX = ±0.10mm X.XXX = ±0.01mm ANGLES = ±5° UNLESS STATED	MATERIAL: SEE ABOVE	TITLE: POWER SMT JUMPER LINK (TAPE AND REELED)
HARWIN USA TEL: 603 893 5376 FAX: 603 893 5396 mis@harwin.com	HARWIN Europe (UK) TEL: 023 9231 4545 FAX: 023 9231 4590 mis@harwin.co.uk	HARWIN Asia TEL: +65 6 779 4909 FAX: +65 6 779 3868 mis@harwin.com.sg		FINISH: S/AREA: mm <sup>2</sup>	DRAWING NUMBER: <b>S1731-XXR</b>	SHT 2 OF 2