

# ISD4004 Series

## Single-Chip Voice Record/Playback Devices

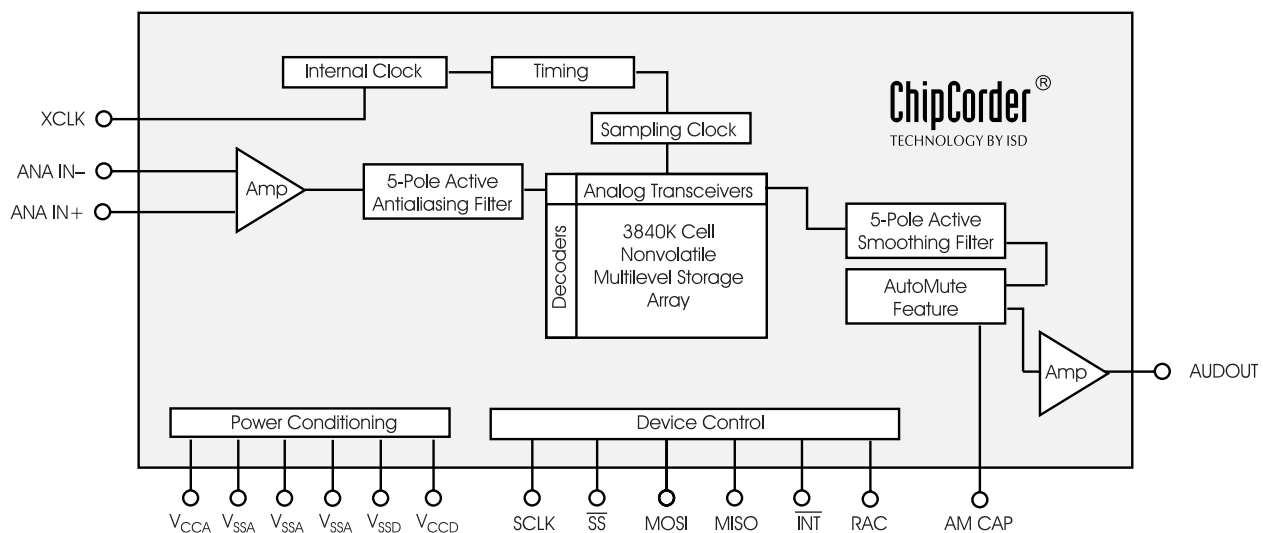
### 8-, 10-, 12-, and 16-Minute Durations

#### GENERAL DESCRIPTION

The ISD4004 ChipCorder® Products provide high-quality, 3-volt, single-chip record/playback solutions for 8- to 16-minute messaging applications which are ideal for cellular phones and other portable products. The CMOS-based devices include an on-chip oscillator, antialiasing filter, smoothing filter, AutoMute™ feature, audio amplifier, and high density, multilevel Flash storage array. The ISD4004 series is designed to be used in a microprocessor- or microcontroller-based system. Address and control are accomplished through a Serial Peripheral Interface (SPI) or Microwire Serial Interface to minimize pin count.

Recordings are stored in on-chip nonvolatile memory cells, providing zero-power message storage. This unique, single-chip solution is made possible through ISD's patented multilevel storage technology. Voice and audio signals are stored directly into memory in their natural form, providing high-quality, solid-state voice reproduction.

**Figure: ISD4004 Series Block Diagram**



**FEATURES**

- Single-chip voice record/playback solution
  - Single +3 volt supply
  - Low-power consumption
    - Operating current:  
I<sub>CC</sub> Play = 15 mA (typical)  
I<sub>CC</sub> Rec = 25 mA (typical)
    - Standby current: 1 μA (typical)
  - Single-chip durations of 8, 10, 12, and 16 minutes
  - High-quality, natural voice/audio reproduction
  - AutoMute feature provides background noise attenuation during periods of silence
  - No algorithm development required
  - Microcontroller SPI or Microwire™ Serial Interface
  - Fully addressable to handle multiple messages
  - Nonvolatile message storage
  - Power consumption controlled by SPI or Microwire control register
  - 100-year message retention (typical)
  - 100K record cycles (typical)
  - On-chip clock source
  - Available in die form, PDIP, SOIC, and TSOP
  - Extended temperature (–20°C to +70°C) and industrial temperature (–40°C to +85°C) versions available
- 

**Table: ISD4004 Series Summary**

| <b>Part Number</b> | <b>Duration (minutes)</b> | <b>Input Sample Rate (KHz)</b> | <b>Typical Filter Pass Band (KHz)</b> |
|--------------------|---------------------------|--------------------------------|---------------------------------------|
| ISD4004-08M        | 8.0                       | 8.0                            | 3.4                                   |
| ISD4004-10M        | 10.0                      | 6.4                            | 2.7                                   |
| ISD4004-12M        | 12.0                      | 5.3                            | 2.3                                   |
| ISD4004-16M        | 16.0                      | 4.0                            | 1.7                                   |

# Table of Contents

---

|   |    |
|---|----|
| DETAILED DESCRIPTION                          | 1  |
| Speech/Sound Quality                          | 1  |
| Duration                                      | 1  |
| Flash Storage                                 | 1  |
| Microcontroller Interface                     | 1  |
| Programming                                   | 1  |
| PIN DESCRIPTIONS                              | 1  |
| Voltage Inputs ( $V_{CCA}$ , $V_{CCD}$ )      | 1  |
| Ground Inputs ( $V_{SSA}$ , $V_{SSD}$ )       | 1  |
| Non-Inverting Analog Input (ANA IN+)          | 3  |
| Inverting Analog Input (ANA IN-)              | 3  |
| Audio Output (AUD OUT)                        | 3  |
| Slave Select ( $\overline{SS}$ )              | 3  |
| Master Out Slave In (MOSI)                    | 3  |
| Master In Slave Out (MISO)                    | 3  |
| Serial Clock (SCLK)                           | 3  |
| Interrupt ( $\overline{INT}$ )                | 3  |
| Row Address Clock (RAC)                       | 4  |
| External Clock Input (XCLK)                   | 4  |
| AutoMute™ Feature (AM CAP)                    | 4  |
| SERIAL PERIPHERAL INTERFACE (SPI) DESCRIPTION | 5  |
| Message Cueing                                | 5  |
| Power-Up Sequence                             | 6  |
| SPI Port                                      | 7  |
| SPI Control Register                          | 7  |
| TIMING DIAGRAMS                               | 14 |
| DEVICE PHYSICAL DIMENSIONS                    | 18 |
| ORDERING INFORMATION                          | 23 |

**FIGURES, CHARTS, AND TABLES IN THE ISD4004 SERIES DATA SHEET**

|            |   |    |
|------------|---|----|
| Figure 1:  | ISD4004 Series TSOP and PDIP/SOIC Pinouts                                   | 2  |
| Figure 2:  | ISD4004 Series ANA IN Modes   | 2  |
| Figure 3:  | SPI Port  | 7  |
| Figure 4:  | SPI Interface Simplified Block Diagram                                      | 8  |
| Figure 5:  | Timing Diagram  | 14 |
| Figure 6:  | 8-Bit Command Format  | 14 |
| Figure 7:  | 24-Bit Command Format   | 15 |
| Figure 8:  | Playback/Record and Stop Cycle  | 15 |
| Figure 9:  | Application Example Using SPI   | 16 |
| Figure 10: | Application Example Using Microwire   | 17 |
| Figure 11: | Application Example Using SPI Port on Microcontroller                       | 17 |
| Figure 12: | 28-Lead 8x13.4 mm Plastic Thin Small Outline Package (TSOP) Type I (E)      | 18 |
| Figure 13: | 28-Lead 0.600-Inch Plastic Dual Inline Package (PDIP) (P)                   | 19 |
| Figure 14: | 28-Lead 0.300-Inch Plastic Small Outline Integrated Circuit (SOIC) (S)      | 20 |
| Figure 15: | ISD4004 Series Bonding Physical Layout (Unpackaged Die)                     | 21 |
|            |   |    |
| Table 1:   | External Clock Input Clocking Table   | 4  |
| Table 2:   | Opcode Summary  | 6  |
| Table 3:   | SPI Control Register  | 7  |
| Table 4:   | Absolute Maximum Ratings (Packaged Parts)                                   | 8  |
| Table 5:   | Operating Conditions (Packaged Parts)                                       | 8  |
| Table 6:   | DC Parameters (Packaged Parts)  | 9  |
| Table 7:   | AC Parameters (Packaged Parts)  | 9  |
| Table 8:   | Absolute Maximum Ratings (Die)  | 11 |
| Table 9:   | Operating Conditions (Die)  | 11 |
| Table 10:  | DC Parameters (Die)   | 11 |
| Table 11:  | AC Parameters (Die)   | 12 |
| Table 12:  | SPI AC Parameters   | 13 |
| Table 13:  | Plastic Thin Small Outline Package (TSOP) Type I (E) Dimensions             | 18 |
| Table 14:  | Plastic Dual Inline Package (PDIP) (P) Dimensions                           | 19 |
| Table 15:  | Plastic Small Outline Integrated Circuit (SOIC) (S) Dimensions              | 20 |
| Table 16:  | ISD4004 Series Device Pin/Pad Designations, with Respect to Die Center (µm) | 22 |

## DETAILED DESCRIPTION

### SPEECH/SOUND QUALITY

The ISD4004 ChipCorder series includes devices offered at 4.0, 5.3, 6.4, and 8.0 KHz sampling frequencies, allowing the user a choice of speech quality options. Increasing the duration within a product series decreases the sampling frequency and bandwidth, which affects sound quality. Please refer to the ISD4004 Series Product Summary table on the second page to compare filter pass band and product durations.

The speech samples are stored directly into on-chip nonvolatile memory without the digitization and compression associated with other solutions. Direct analog storage provides a natural sounding reproduction of voice, music, tones, and sound effects not available with most solid-state solutions.

### DURATION

To meet end system requirements, the ISD4004 series products are single-chip solutions at 8, 10, 12, 16 minutes.

### FLASH STORAGE

One of the benefits of ISD's ChipCorder technology is the use of on-chip nonvolatile memory, which provides zero-power message storage. The message is retained for up to 100 years (typically) without power. In addition, the device can be re-recorded (typically) over 100,000 times.

### MICROCONTROLLER INTERFACE

A four-wire (SCLK, MOSI, MISO,  $\overline{SS}$ ) SPI interface is provided for ISD4004 control and addressing functions. The ISD4004 is configured to operate as a peripheral slave device, with a microcontroller-based SPI bus interface. Read/Write access to all the internal registers occurs through this SPI interface. An interrupt signal ( $\overline{INT}$ ) and internal read-only Status Register are provided for handshake purposes.

## PROGRAMMING

The ISD4004 series is also ideal for playback-only applications, where single or multiple message Playback is controlled through the SPI port. Once the desired message configuration is created, duplicates can easily be generated via an ISD programmer.

## PIN DESCRIPTIONS

### VOLTAGE INPUTS ( $V_{CCA}$ , $V_{CCD}$ )

To minimize noise, the analog and digital circuits in the ISD4004 devices use separate power busses. These +3 V busses are brought out to separate pins and should be tied together as close to the supply as possible. In addition, these supplies should be decoupled as close to the package as possible.

### GROUND INPUTS ( $V_{SSA}$ , $V_{SSD}$ )

The ISD4004 series utilizes separate analog and digital ground busses. The analog ground ( $V_{SSA}$ ) pins should be tied together as close to the package as possible and connected through a low-impedance path to power supply ground. The digital ground ( $V_{SSD}$ ) pin should be connected through a separate low-impedance path to power supply ground. These ground paths should be large enough to ensure that the impedance between the  $V_{SSA}$  pins and the  $V_{SSD}$  pin is less than 3  $\Omega$ . The backside of the die is connected to  $V_{SS}$  through the substrate resistance. In a chip-on-board design, the die attach area must be connected to  $V_{SS}$  or left floating.

Figure 1: ISD4004 Series TSOP and PDIP/SOIC Pinouts

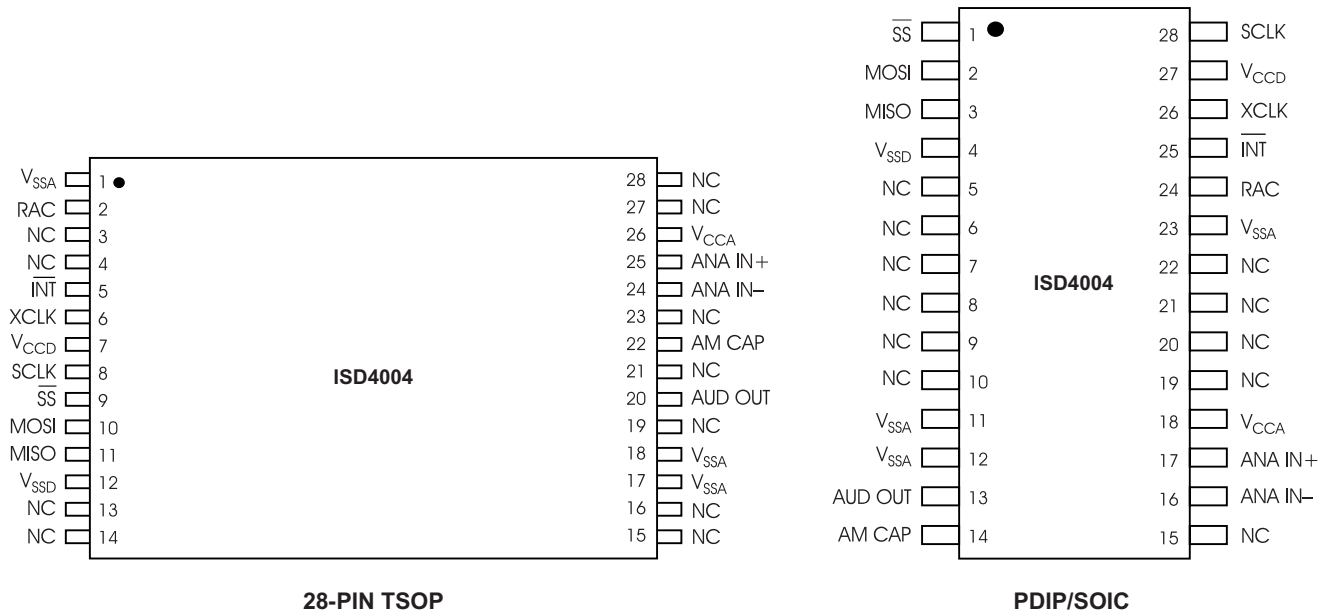
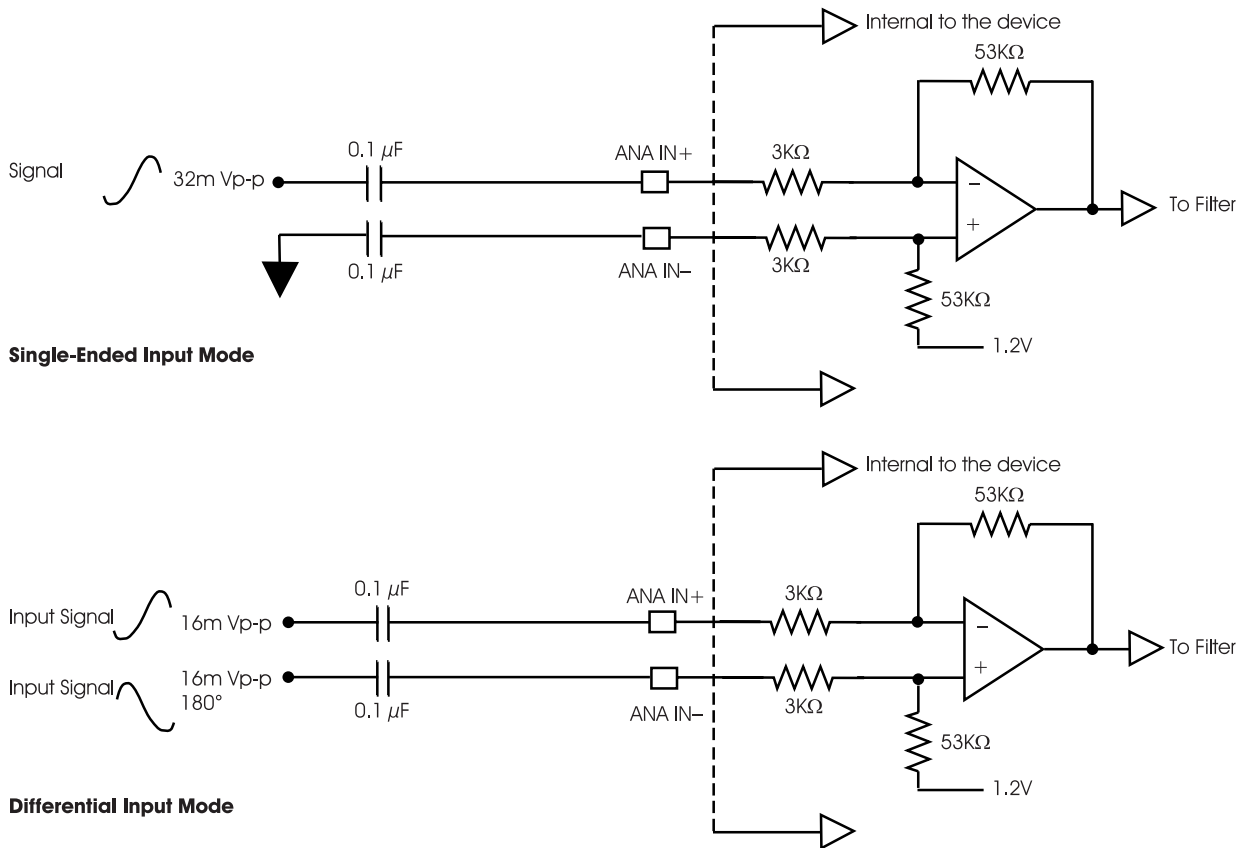


Figure 2: ISD4004 Series ANA IN Modes



### NON-INVERTING ANALOG INPUT (ANA IN+)

This pin is the non-inverting analog input that transfers the signal to the device for recording. The analog input amplifier can be driven single ended or differentially. In the single-ended input mode, a 32 mVp-p (peak-to-peak) maximum signal should be capacitively connected to this pin for optimal signal quality. This capacitor value, together with the 3 K $\Omega$  input impedance of ANA IN+, is selected to give cutoff at the low frequency end of the voice passband. In the differential-input mode, the maximum input signal at ANA IN+ should be 16 mVp-p for optimal signal quality. The circuit connections for the two modes are shown in Figure 2 on page 2.

### INVERTING ANALOG INPUT (ANA IN-)

This pin is the inverting analog input that transfers the signal to the device for recording in the differential-input mode. In this differential-input mode, a 16 mVp-p maximum input signal at ANA IN- should be capacitively coupled to this pin for optimal signal quality as shown in the ISD4004 Series ANA IN Modes, Figure 2. This capacitor value should be equal to the coupling capacitor used on the ANA IN+ pin. The input impedance at ANA IN- is nominally 56 K $\Omega$ . In the single-ended mode, ANA IN- should be capacitively coupled to V<sub>SSA</sub> through a capacitor equal to that used on the ANA IN+ input.

### AUDIO OUTPUT (AUD OUT)

This pin provides the audio output to the user. It is capable of driving a 5 K $\Omega$  impedance. It is recommended that this pin be AC coupled.

---

**NOTE** *The AUDOUT pin is always at 1.2 volts when the device is powered up. When in playback, the output buffer connected to this pin can drive a load as small as 5 K $\Omega$ . When in record, a resistor connects AUDOUT to the internal 1.2 volt analog ground supply. This resistor is approximately 850 K $\Omega$ , but will vary somewhat according to the sample rate of the device. This relatively high impedance allows this pin to be connected to an audio bus without loading it down.*

---

### SLAVE SELECT (SS)

This input, when LOW, will select the ISD4004 device.

### MASTER OUT SLAVE IN (MOSI)

This is the serial input to the ISD4004 device. The master microcontroller places data on the MOSI line one half-cycle before the rising clock edge to be clocked in by the ISD4004 device.

### MASTER IN SLAVE OUT (MISO)

This is the serial output of the ISD4004 device. This output goes into a high-impedance state if the device is not selected.

### SERIAL CLOCK (SCLK)

This is the clock input to the ISD4004. It is generated by the master device (microcontroller) and is used to synchronize data transfers in and out of the device through the MISO and MOSI lines. Data is latched into the ISD4004 on the rising edge of SCLK and shifted out of the device on the falling edge of SCLK.

### INTERRUPT (INT)

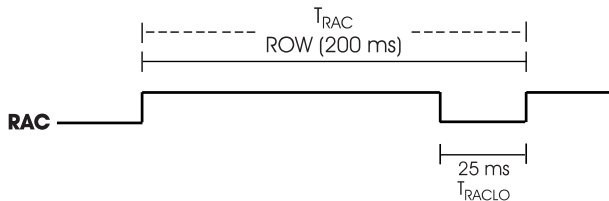
The ISD4004 interrupt pin goes LOW and stays LOW when an Overflow (OVF) or End of Message (EOM) marker is detected. This is an open drain output pin. Each operation that ends in an EOM or Overflow will generate an interrupt including the message cueing cycles. The interrupt will be cleared the next time an SPI cycle is initiated. The interrupt status can be read by an RINT instruction.

*Overflow Flag (OVF)*—The Overflow flag indicates that the end of the ISD4004's analog memory has been reached during a record or playback operation.

*End of Message (EOM)*—The End-of-Message flag is set only during playback operation when an EOM is found. There are eight EOM flag position options per row.

### ROW ADDRESS CLOCK (RAC)

This is an open drain output pin that provides a signal with a 200 ms period at the 8 KHz sampling frequency. (This represents a single row of memory and there are 2400 rows of memory in the ISD4004 series devices.) This signal stays HIGH for 175 ms and stays LOW for 25 ms when it reaches the end of a row.



The RAC pin stays HIGH for 109.38  $\mu$ sec and stays LOW for 15.63  $\mu$ sec in Message Cueing mode (see page 5 for a more detailed description of Message Cueing). Refer to the AC Parameters table for RAC timing information on other sample rate products.

When a record command is first initiated, the RAC pin remains HIGH for an extra  $T_{RACLO}$  period. This is due to the need to load sample and hold circuits internal to the device. This pin can be used for message management techniques.

### EXTERNAL CLOCK INPUT (XCLK)

The external clock input for the ISD4004 products has an internal pull-down device. These products are configured at the factory with an internal sampling clock frequency centered to  $\pm 1$  percent of specification. The frequency is then maintained to a variation over the entire commercial temperature and operating voltage ranges as defined by the minimum/maximum limits in the applicable AC Parameters table. The internal clock has a tolerance, over the extended temperature, industrial temperature and voltage ranges as defined by the minimum/maximum limits in the applicable AC Parameters table. A regulated power supply is recommended for industrial temperature range parts. If greater precision is required, the device can be clocked through the XCLK pin in Table 1.

**Table 1: External Clock Input Clocking Table**

| Part Number | Sample Rate | Required Clock |
|-------------|-------------|----------------|
| ISD4004-08M | 8.0 KHz     | 1024 KHz       |
| ISD4004-10M | 6.4 KHz     | 819.2 KHz      |
| ISD4004-12M | 5.3 KHz     | 682.7 KHz      |
| ISD4004-16M | 4.0 KHz     | 512 KHz        |

These recommended clock rates should not be varied because the antialiasing and smoothing filters are fixed. Thus, aliasing problems can occur if the sample rate differs from the one recommended. The duty cycle on the input clock is not critical, as the clock is immediately divided by two internally. ***If the XCLK is not used, this input should be connected to ground.***

### AUTOMUTE™ FEATURE (AM CAP)

This pin is used in controlling the AutoMute feature. The AutoMute feature attenuates the signal when it drops below an internally set threshold. This helps to eliminate noise (with 6 dB of attenuation) when there is no signal (i.e., during periods of silence). A 1  $\mu$ F capacitor to ground should be connected to the AM CAP pin. This capacitor becomes a part of an internal peak detector which senses the signal amplitude (peak). This peak level is compared to an internally set threshold to determine the AutoMute trip point. For large signals the AutoMute attenuation is set to 0 dB while 6 dB of attenuation occurs for silence. The 1  $\mu$ F capacitor also affects the rate at which the AutoMute feature changes with the signal amplitude (or the attack time). The Automute feature can be disabled by connecting the AM CAP pin to  $V_{CCA}$ .



## SERIAL PERIPHERAL INTERFACE (SPI) DESCRIPTION

The ISD4004 series operates from an SPI serial interface. The SPI interface operates with the following protocol.

The data transfer protocol assumes that the microcontroller's SPI shift registers are clocked on the falling edge of the SCLK. With the ISD4004, data is clocked in on the MOSI pin on the rising clock edge. Data is clocked out on the MISO pin on the falling clock edge.

1. All serial data transfers begin with the falling edge of  $\overline{SS}$  pin.
2.  $\overline{SS}$  is held LOW during all serial communications and held HIGH between instructions.
3. Data is clocked in on the rising clock edge and data is clocked out on the falling clock edge.
4. Play and Record operations are initiated by enabling the device by asserting the  $\overline{SS}$  pin LOW, shifting in an opcode and an address field to the ISD4004 device (refer to the Opcode Summary on the page 6).
5. The opcodes and address fields are as follows: <8 control bits> and <16 address bits>.
6. Each operation that ends in an EOM or Overflow will generate an interrupt, including the Message Cueing cycles. The Interrupt will be cleared the next time an SPI cycle is initiated.
7. As Interrupt data is shifted out of the ISD4004 MISO pin, control and address data is simultaneously being shifted into the MOSI pin. Care should be taken such that the data shifted in is compatible with current system operation. It is possible to read interrupt data and start a new operation within the same SPI cycle.
8. An operation begins with the RUN bit set and ends with the RUN bit reset.
9. All operations begin with the rising edge of  $\overline{SS}$ .

### MESSAGE CUEING

Message cueing allows the user to skip through messages, without knowing the actual physical location of the message. This operation is used during playback. In this mode, the messages are skipped 1600 times faster than in normal playback mode. It will stop when an EOM marker is reached. Then, the internal address counter will point to the next message.

Table 2: Opcode Summary

| Instruction       | Opcode <8 bits><br>Address <16 bits> | Operational Summary   |
|-------------------|--------------------------------------|---|
| POWERUP           | 00100XXX                             | Power-Up: Device will be ready for an operation after $T_{PUD}$ .   |
| SETPLAY           | 11100XXX <A15–A0>                    | Initiates Playback from address <A15–A0>.   |
| PLAY              | 11110XXX                             | Playback from the current address (until EOM or OVF).   |
| SETREC            | 10100XXX <A15–A0>                    | Initiates a Record operation from address <A15–A0>.   |
| REC               | 10110XXX                             | Records from current address until OVF is reached.  |
| SETMC             | 11101XXX <A15–A0>                    | Initiates Message Cueing (MC) from address <A15–A0>.  |
| MC <sup>1</sup>   | 11111XXX                             | Performs a Message Cue. Proceeds to the end of the current message (EOM) or enters OVF condition if no more messages are present. |
| STOP              | 0X110XXX                             | Stops current operation.  |
| STOPWRDN          | 0X01XXXX                             | Stops current Operation and enters stand-by (power-down) mode.  |
| RINT <sup>2</sup> | 0X110XXX                             | Read Interrupt status bits: Overflow and EOM.   |

1. Message Cueing can be selected only at the beginning of a play operation.

2. As the Interrupt data is shifted out of the ISD4004, control and address data is being shifted in. Care should be taken such that the data shifted in is compatible with current system operation. It is possible to read interrupt data and start a new operation at the same time. See Figure 5 through Figure 8 for Opcode format.

## POWER-UP SEQUENCE

The ISD4004 will be ready for an operation after  $T_{PUD}$  (25 ms approximately for 8 KHz sample rate). The user needs to wait  $T_{PUD}$  before issuing an operational command. For example, to play from address 00 the following programming cycle should be used.

### Playback Mode

1. Send POWERUP command.
2. Wait  $T_{PUD}$  (power-up delay).
3. Send SETPLAY command with address 00.
4. Send PLAY command.

The device will start playback at address 00 and it will generate an interrupt when an EOM is reached. It will then stop playback.

### Record Mode

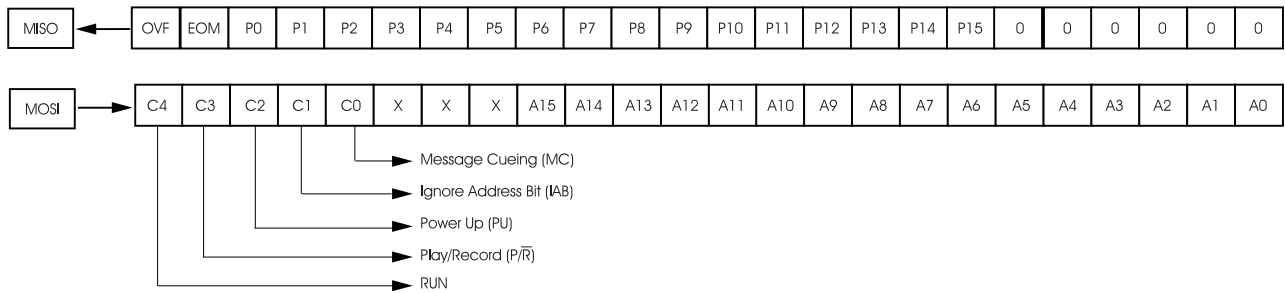
1. Send POWERUP command.
2. Wait  $T_{PUD}$  (power-up delay).
3. Send POWERUP command.
4. Send SETREC command with address 00.
5. Send REC command.

The device will start recording at address 00 and it will generate an interrupt when an overflow is reached (end of memory array). It will then stop recording.

### SPI PORT

The following diagram describes the SPI port and the control bits associated with it.

**Figure 3: SPI Port**



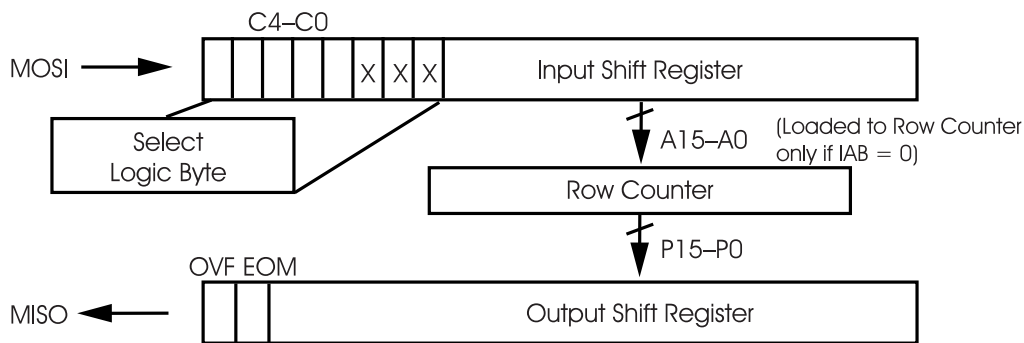
### SPI CONTROL REGISTER

The SPI control register provides control of individual device functions such as Play, Record, Message Cueing, Power-Up and Power-Down, Start and Stop operations, and Ignore Address pointers.

**Table 3: SPI Control Register**

| Control Register | Bit | Device Function                                 | Control Register | Bit | Device Function   |
|------------------|-----|---|------------------|-----|---|
| RUN              | = 1 | Enable or Disable an operation                  | PU               | = 1 | Master power control  |
|                  | = 0 | Start<br>Stop                                   |                  | = 0 | Power-Up<br>Power-Down  |
| P/R              | = 1 | Selects Play or Record operation                | IAB              | = 1 | Ignore address control bit  |
|                  | = 0 | Play<br>Record                                  |                  | = 0 | Ignore input address register (A15–A0)<br>Use the input address register contents for an operation (A15–A0) |
| MC               | = 1 | Enable or Disable Message Cueing                | P15–P0           |     | Output of the row pointer register  |
|                  | = 0 | Enable Message Cueing<br>Disable Message Cueing | A15–A0           |     | Input address register  |

**Figure 4: SPI Interface Simplified Block Diagram**



**Table 4: Absolute Maximum Ratings (Packaged Parts)<sup>(1)</sup>**

| Condition  | Value  |
|--|--|
| Junction temperature   | 150°C  |
| Storage temperature range  | -65°C to +150°C  |
| Voltage applied to any pin   | (V <sub>SS</sub> - 0.3 V) to (V <sub>CC</sub> + 0.3 V) |
| Voltage applied to MOSI, SCLK, $\overline{\text{INT}}$ , RAC and $\overline{\text{SS}}$ pins (input current limited to ± 20mA) | (V <sub>SS</sub> - 1.0 V) to 5.5V                      |
| Lead temperature (soldering - 10 seconds)  | 300°C  |
| V <sub>CC</sub> - V <sub>SS</sub>  | -0.3 V to +7.0 V                                       |

1. Stresses above those listed may cause permanent damage to the device. Exposure to the absolute maximum ratings may affect device reliability. Functional operation is not implied at these conditions.

**Table 5: Operating Conditions (Packaged Parts)**

| Condition   | Value            |
|---|------------------|
| Commercial operating temperature range <sup>(1)</sup> | 0°C to +70°C     |
| Extended operating temperature <sup>(1)</sup>         | -20°C to +70°C   |
| Industrial operating temperature <sup>(1)</sup>       | -40°C to +85°C   |
| Supply voltage (V <sub>CC</sub> ) <sup>(2)</sup>      | +2.7 V to +3.3 V |
| Ground voltage (V <sub>SS</sub> ) <sup>(3)</sup>      | 0 V              |

1. Case temperature.  
 2. V<sub>CC</sub> = V<sub>CCA</sub> = V<sub>CCD</sub>.  
 3. V<sub>SS</sub> = V<sub>SSA</sub> = V<sub>SSD</sub>.

Table 6: DC Parameters (Packaged Parts)

| Symbol               | Parameters  | Min <sup>(2)</sup>    | Typ <sup>(1)</sup> | Max <sup>(2)</sup>    | Units    | Conditions   |
|----------------------|---|-----------------------|--------------------|-----------------------|----------|--|
| V <sub>IL</sub>      | Input Low Voltage   |                       |                    | V <sub>CC</sub> x 0.2 | V        |  |
| V <sub>IH</sub>      | Input High Voltage  | V <sub>CC</sub> x 0.8 |                    |                       | V        |  |
| V <sub>OL</sub>      | Output Low Voltage  |                       |                    | 0.4                   | V        | I <sub>OL</sub> = 10 μA  |
| V <sub>OL1</sub>     | RAC, INT Output Low Voltage                                   |                       |                    | 0.4                   | V        | I <sub>OL</sub> = 1 mA   |
| V <sub>OH</sub>      | Output High Voltage   | V <sub>CC</sub> - 0.4 |                    |                       | V        | I <sub>OH</sub> = -10 μA   |
| I <sub>CC</sub>      | V <sub>CC</sub> Current (Operating)<br>— Playback<br>— Record |                       | 15<br>25           | 30<br>40              | mA<br>mA | R <sub>EXT</sub> = ∞ <sup>(3)</sup><br>R <sub>EXT</sub> = ∞ <sup>(3)</sup> |
| I <sub>SB</sub>      | V <sub>CC</sub> Current (Standby)                             |                       | 1                  | 10                    | μA       | <sup>(3)</sup> <sup>(4)</sup>  |
| I <sub>IL</sub>      | Input Leakage Current   |                       |                    | ±1                    | μA       |  |
| I <sub>HZ</sub>      | MISO Tristate Current   |                       | 1                  | 10                    | μA       |  |
| R <sub>EXT</sub>     | Output Load Impedance   | 5                     |                    |                       | KΩ       |  |
| R <sub>ANA IN+</sub> | ANA IN+ Input Resistance                                      | 2.2                   | 3.0                | 3.8                   | KΩ       |  |
| R <sub>ANA IN-</sub> | ANA IN- Input Resistance                                      | 40                    | 56                 | 71                    | KΩ       |  |
| A <sub>ARP</sub>     | ANA IN+ or ANA IN- to AUD OUT Gain                            |                       | 25                 |                       | dB       | <sup>(5)</sup>   |

1. Typical values: T<sub>A</sub> = 25°C and 3.0 V.

2. All min/max limits are guaranteed by ISD via electrical testing or characterization. Not all specifications are 100 percent tested.

3. V<sub>CCA</sub> and V<sub>CCD</sub> connected together.

4. SS = V<sub>CCA</sub> = V<sub>CCD</sub>, XCLK = MOSI = V<sub>SSA</sub> = V<sub>SSD</sub> and all other pins floating.

5. Measured with AutoMute feature disabled.

Table 7: AC Parameters (Packaged Parts)

| Symbol           | Characteristic     | Min <sup>(2)</sup> | Typ <sup>(1)</sup> | Max <sup>(2)</sup> | Units | Conditions  |
|------------------|--------------------|--------------------|--------------------|--------------------|-------|---|
| F <sub>S</sub>   | Sampling Frequency | ISD4004-08M        | 8.0                |                    | KHz   | <sup>(5)</sup>                                    |
|                  |                    | ISD4004-10M        | 6.4                |                    | KHz   | <sup>(5)</sup>                                    |
|                  |                    | ISD4004-12M        | 5.3                |                    | KHz   | <sup>(5)</sup>                                    |
|                  |                    | ISD4004-16M        | 4.0                |                    | KHz   | <sup>(5)</sup>                                    |
| F <sub>CF</sub>  | Filter Pass Band   | ISD4004-08M        | 3.4                |                    | KHz   | 3-dB Roll-Off Point <sup>(3)</sup> <sup>(7)</sup> |
|                  |                    | ISD4004-10M        | 2.7                |                    | KHz   | 3-dB Roll-Off Point <sup>(3)</sup> <sup>(7)</sup> |
|                  |                    | ISD4004-12M        | 2.3                |                    | KHz   | 3-dB Roll-Off Point <sup>(3)</sup> <sup>(7)</sup> |
|                  |                    | ISD4004-16M        | 1.7                |                    | KHz   | 3-dB Roll-Off Point <sup>(3)</sup> <sup>(7)</sup> |
| T <sub>REC</sub> | Record Duration    | ISD4004-08M        | 8                  |                    | min   | <sup>(6)</sup>                                    |
|                  |                    | ISD4004-10M        | 10                 |                    | min   | <sup>(6)</sup>                                    |
|                  |                    | ISD4004-12M        | 12                 |                    | min   | <sup>(6)</sup>                                    |
|                  |                    | ISD4004-16M        | 16                 |                    | min   | <sup>(6)</sup>                                    |

Table 7: AC Parameters (Packaged Parts)

| Symbol                                     | Characteristic                                  | Min <sup>(2)</sup> | Typ <sup>(1)</sup> | Max <sup>(2)</sup> | Units | Conditions                          |
|--|---|--------------------|--------------------|--------------------|-------|-------------------------------------|
| T <sub>PLAY</sub>                          | Playback Duration                               | ISD4004-08M        | 8                  |                    | min   | (6)                                 |
|  |   | ISD4004-10M        | 10                 |                    | min   | (6)                                 |
|  |   | ISD4004-12M        | 12                 |                    | min   | (6)                                 |
|  |   | ISD4004-16M        | 16                 |                    | min   | (6)                                 |
| T <sub>PUD</sub>                           | Power-Up Delay                                  | ISD4004-08M        | 25                 |                    | msec  |                                     |
|  |   | ISD4004-10M        | 31.25              |                    | msec  |                                     |
|  |   | ISD4004-12M        | 37.5               |                    | msec  |                                     |
|  |   | ISD4004-16M        | 50                 |                    | msec  |                                     |
| T <sub>STOP</sub> or<br>T <sub>PAUSE</sub> | Stop or Pause in<br>Record or Play              | ISD4004-08M        | 50                 |                    | msec  |                                     |
|  |   | ISD4004-10M        | 62.5               |                    | msec  |                                     |
|  |   | ISD4004-12M        | 75                 |                    | msec  |                                     |
|  |   | ISD4004-16M        | 100                |                    | msec  |                                     |
| T <sub>RAC</sub>                           | RAC Clock Period                                | ISD4004-08M        | 200                |                    | msec  | (10)                                |
|  |   | ISD4004-10M        | 250                |                    | msec  | (10)                                |
|  |   | ISD4004-12M        | 300                |                    | msec  | (10)                                |
|  |   | ISD4004-16M        | 400                |                    | msec  | (10)                                |
| T <sub>RACLO</sub>                         | RAC Clock Low<br>Time                           | ISD4004-08M        | 25                 |                    | msec  |                                     |
|  |   | ISD4004-10M        | 31.25              |                    | msec  |                                     |
|  |   | ISD4004-12M        | 37.5               |                    | msec  |                                     |
|  |   | ISD4004-16M        | 50                 |                    | msec  |                                     |
| T <sub>RACM</sub>                          | RAC Clock Period<br>in Message<br>Cueing Mode   | ISD4004-08M        | 125                |                    | μsec  |                                     |
|  |   | ISD4004-10M        | 156.3              |                    | μsec  |                                     |
|  |   | ISD4004-12M        | 187.5              |                    | μsec  |                                     |
|  |   | ISD4004-16M        | 250                |                    | μsec  |                                     |
| T <sub>RACML</sub>                         | RAC Clock Low<br>Time in Message<br>Cueing Mode | ISD4004-08M        | 15.63              |                    | μsec  |                                     |
|  |   | ISD4004-10M        | 19.53              |                    | μsec  |                                     |
|  |   | ISD4004-12M        | 23.44              |                    | μsec  |                                     |
|  |   | ISD4004-16M        | 31.25              |                    | μsec  |                                     |
| THD  | Total Harmonic Distortion                       |                    | 1                  | 2                  | %     | @ 1 KHz                             |
| V <sub>IN</sub>                            | ANA IN Input Voltage                            |                    |                    | 32                 | mV    | Peak-to-Peak <sup>(4)</sup> (8) (9) |

1. Typical values:  $T_A = 25^\circ\text{C}$  and 3.0 V.
2. All min/max limits are guaranteed by ISD via electrical testing or characterization. Not all specifications are 100 percent tested.
3. Low-frequency cut off depends upon the value of external capacitors (see Pin Descriptions).
4. Single-ended input mode. In the differential input mode,  $V_{IN}$  maximum for ANA IN+ and ANA IN- is 16mVp-p.
5. Sampling Frequency can vary as much as  $\pm 2.25$  percent over the commercial temperature, and voltage ranges, and  $-6/+4$  percent over the extended temperature, industrial temperature and voltage ranges. For greater stability, an external clock can be utilized (see Pin Descriptions).
6. Playback and Record Duration can vary as much as  $\pm 2.25$  percent over the commercial temperature and voltage ranges, and  $-6/+4$  percent over the extended temperature, industrial temperature and voltage ranges. For greater stability, an external clock can be utilized (see Pin Descriptions).
7. Filter specification applies to the antialiasing filter and the smoothing filter. Therefore, from input to output, expect a 6dB drop by nature of passing through both filters.
8. The typical output voltage will be approximately 570mVp-p with  $V_{IN}$  at 32mVp-p.
9. For optimal signal quality, this maximum limit is recommended.
10. When a record command is sent,  $T_{RAC} = T_{RAC} + T_{RACLO}$  on the first row addressed.

**Table 8: Absolute Maximum Ratings (Die)<sup>(1)</sup>**

| Condition  | Value  |
|--|--|
| Junction temperature   | 150°C  |
| Storage temperature range  | -65°C to +150°C  |
| Voltage applied to any pad   | (V <sub>SS</sub> - 0.3 V) to (V <sub>CC</sub> + 0.3 V) |
| Voltage applied to MOSI, SCLK, $\overline{\text{INT}}$ , RAC and SS pins (input current limited to $\pm 20\text{mA}$ ) | (V <sub>SS</sub> - 1.0 V) to 5.5 V                     |
| V <sub>CC</sub> - V <sub>SS</sub>  | -0.3 V to +7.0 V                                       |

1. Stresses above those listed may cause permanent damage to the device. Exposure to the absolute maximum ratings may affect device reliability. Functional operation is not implied at these conditions.

**Table 9: Operating Conditions (Die)**

| Condition  | Value            |
|--|------------------|
| Commercial operating temperature range           | 0°C to +50°C     |
| Supply voltage (V <sub>CC</sub> ) <sup>(1)</sup> | +2.7 V to +3.3 V |
| Ground voltage (V <sub>SS</sub> ) <sup>(2)</sup> | 0 V              |

1. V<sub>CC</sub> = V<sub>CCA</sub> = V<sub>CCD</sub>  
 2. V<sub>SS</sub> = V<sub>SSA</sub> = V<sub>SSD</sub>.

**Table 10: DC Parameters (Die)**

| Symbol               | Parameters  | Min <sup>(2)</sup>    | Typ <sup>(1)</sup> | Max <sup>(2)</sup>    | Units         | Conditions   |
|----------------------|---|-----------------------|--------------------|-----------------------|---------------|--|
| V <sub>IL</sub>      | Input Low Voltage   |                       |                    | V <sub>CC</sub> x 0.2 | V             |  |
| V <sub>IH</sub>      | Input High Voltage  | V <sub>CC</sub> x 0.8 |                    |                       | V             |  |
| V <sub>OL</sub>      | Output Low Voltage  |                       |                    | 0.4                   | V             | I <sub>OL</sub> = 10 $\mu\text{A}$   |
| V <sub>OL1</sub>     | RAC, $\overline{\text{INT}}$ Output Low Voltage               |                       |                    | 0.4                   | V             | I <sub>OL</sub> = 1 mA   |
| V <sub>OH</sub>      | Output High Voltage   | V <sub>CC</sub> - 0.4 |                    |                       | V             | I <sub>OH</sub> = -10 $\mu\text{A}$  |
| I <sub>CC</sub>      | V <sub>CC</sub> Current (Operating)<br>— Playback<br>— Record |                       | 15<br>25           | 30<br>40              | mA<br>mA      | R <sub>EXT</sub> = $\infty$ <sup>(3)</sup><br>R <sub>EXT</sub> = $\infty$ <sup>(3)</sup> |
| I <sub>SB</sub>      | V <sub>CC</sub> Current (Standby)                             |                       | 1                  | 10                    | $\mu\text{A}$ | <sup>(3)</sup> <sup>(4)</sup>  |
| I <sub>IL</sub>      | Input Leakage Current   |                       |                    | $\pm 1$               | $\mu\text{A}$ |  |
| I <sub>HZ</sub>      | MISO Tristate Current   |                       | 1                  | 10                    | $\mu\text{A}$ |  |
| R <sub>EXT</sub>     | Output Load Impedance   | 5                     |                    |                       | K $\Omega$    |  |
| R <sub>ANA IN+</sub> | ANA IN+ Input Resistance                                      | 2.2                   | 3.0                | 3.8                   | K $\Omega$    |  |
| R <sub>ANA IN-</sub> | ANA IN- Input Resistance                                      | 40                    | 56                 | 71                    | K $\Omega$    |  |
| A <sub>ARP</sub>     | ANA IN+ or ANA IN- to AUDOUT Gain                             |                       | 25                 |                       | dB            | <sup>(5)</sup>   |

1. Typical values: T<sub>A</sub> = 25°C and 3.0 V.  
 2. All min/max limits are guaranteed by ISD via electrical testing or characterization. Not all specifications are 100 percent tested.  
 3. V<sub>CCA</sub> and V<sub>CCD</sub> connected together.  
 4. SS = V<sub>CCA</sub> = V<sub>CCD</sub>, XCLK = MOSI = V<sub>SSA</sub> = V<sub>SSD</sub> and all other pins floating.  
 5. Measured with AutoMute feature disabled.

Table 11: AC Parameters (Die)

| Symbol                                     | Characteristic                            | Min <sup>(2)</sup> | Typ <sup>(1)</sup> | Max <sup>(2)</sup> | Units | Conditions                                       |
|--|---|--------------------|--------------------|--------------------|-------|--|
| F <sub>S</sub>                             | Sampling Frequency                        | ISD4004-08M        | 8.0                |                    | KHz   | (5)  |
|  |   | ISD4004-10M        | 6.4                |                    | KHz   | (5)  |
|  |   | ISD4004-12M        | 5.3                |                    | KHz   | (5)  |
|  |   | ISD4004-16M        | 4.0                |                    | KHz   | (5)  |
| F <sub>CF</sub>                            | Filter Pass Band                          | ISD4004-08M        | 3.4                |                    | KHz   | 3dB Roll-Off Point <sup>(3)</sup> <sup>(6)</sup> |
|  |   | ISD4004-10M        | 2.7                |                    | KHz   | 3dB Roll-Off Point <sup>(3)</sup> <sup>(6)</sup> |
|  |   | ISD4004-12M        | 2.3                |                    | KHz   | 3dB Roll-Off Point <sup>(3)</sup> <sup>(6)</sup> |
|  |   | ISD4004-16M        | 1.7                |                    | KHz   | 3dB Roll-Off Point <sup>(3)</sup> <sup>(6)</sup> |
| T <sub>REC</sub>                           | Record Duration                           | ISD4004-08M        | 8                  |                    | min   | (5)  |
|  |   | ISD4004-10M        | 10                 |                    | min   | (5)  |
|  |   | ISD4004-12M        | 12                 |                    | min   | (5)  |
|  |   | ISD4004-16M        | 16                 |                    | min   | (5)  |
| T <sub>PLAY</sub>                          | Playback Duration                         | ISD4004-08M        | 8                  |                    | min   | (5)  |
|  |   | ISD4004-10M        | 10                 |                    | min   | (5)  |
|  |   | ISD4004-12M        | 12                 |                    | min   | (5)  |
|  |   | ISD4004-16M        | 16                 |                    | min   | (5)  |
| T <sub>PUD</sub>                           | Power-Up Delay                            | ISD4004-08M        | 25                 |                    | msec  |  |
|  |   | ISD4004-10M        | 31.25              |                    | msec  |  |
|  |   | ISD4004-12M        | 37.5               |                    | msec  |  |
|  |   | ISD4004-16M        | 50                 |                    | msec  |  |
| T <sub>STOP</sub> Or<br>T <sub>PAUSE</sub> | Stop or Pause in Record or Play           | ISD4004-08M        | 50                 |                    | msec  |  |
|  |   | ISD4004-10M        | 62.5               |                    | msec  |  |
|  |   | ISD4004-12M        | 75                 |                    | msec  |  |
|  |   | ISD4004-16M        | 100                |                    | msec  |  |
| T <sub>RAC</sub>                           | RAC Clock Period                          | ISD4004-08M        | 200                |                    | msec  | (9)  |
|  |   | ISD4004-10M        | 250                |                    | msec  | (9)  |
|  |   | ISD4004-12M        | 300                |                    | msec  | (9)  |
|  |   | ISD4004-16M        | 400                |                    | msec  | (9)  |
| T <sub>RACLO</sub>                         | RAC Clock Low Time                        | ISD4004-08M        | 25                 |                    | msec  |  |
|  |   | ISD4004-10M        | 31.25              |                    | msec  |  |
|  |   | ISD4004-12M        | 37.5               |                    | msec  |  |
|  |   | ISD4004-16M        | 50                 |                    | msec  |  |
| T <sub>RACM</sub>                          | RAC Clock Period in Message Cueing Mode   | ISD4004-08M        | 125                |                    | μsec  |  |
|  |   | ISD4004-10M        | 156.3              |                    | μsec  |  |
|  |   | ISD4004-12M        | 187.5              |                    | μsec  |  |
|  |   | ISD4004-16M        | 250                |                    | μsec  |  |
| T <sub>RACML</sub>                         | RAC Clock Low Time in Message Cueing Mode | ISD4004-08M        | 15.63              |                    | μsec  |  |
|  |   | ISD4004-10M        | 19.53              |                    | μsec  |  |
|  |   | ISD4004-12M        | 23.44              |                    | μsec  |  |
|  |   | ISD4004-16M        | 31.25              |                    | μsec  |  |



Table 11: AC Parameters (Die)

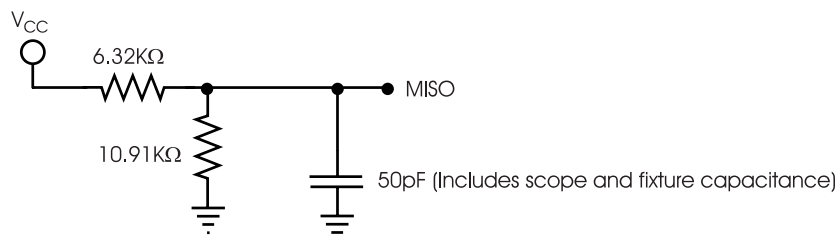
| Symbol          | Characteristic            | Min <sup>(2)</sup> | Typ <sup>(1)</sup> | Max <sup>(2)</sup> | Units | Conditions                          |
|-----------------|---------------------------|--------------------|--------------------|--------------------|-------|-------------------------------------|
| THD             | Total Harmonic Distortion |                    | 1                  | 2                  | %     | @ 1 KHz                             |
| V <sub>IN</sub> | ANA IN Input Voltage      |                    |                    | 32                 | mV    | Peak-to-Peak <sup>(4) (7) (8)</sup> |

1. Typical values:  $T_A = 25^\circ\text{C}$  and 3.0 V.
2. All min/max limits are guaranteed by ISD via electrical testing or characterization. Not all specifications are 100 percent tested.
3. Low-frequency cut off depends upon the value of external capacitors (see Pin Descriptions).
4. Single-ended input mode. In the differential input mode, V<sub>IN</sub> maximum for ANA IN+ and ANA IN- is 16 mV peak-to-peak.
5. Sampling Frequency and Duration can vary as much as  $\pm 2.25$  percent over the commercial temperature and voltage ranges. For greater stability, an external clock can be utilized (see Pin Descriptions).
6. Filter specification applies to the antialiasing filter and to the smoothing filter.
7. The typical output voltage will be approximately 570 mV peak-to-peak with V<sub>IN</sub> at 32 mV peak-to-peak.
8. For optimal signal quality, this maximum limit is recommended.
9. When a record command is sent,  $T_{RAC} = T_{RAC} + T_{RACLO}$  on the first row addressed.

Table 12: SPI AC Parameters<sup>1</sup>

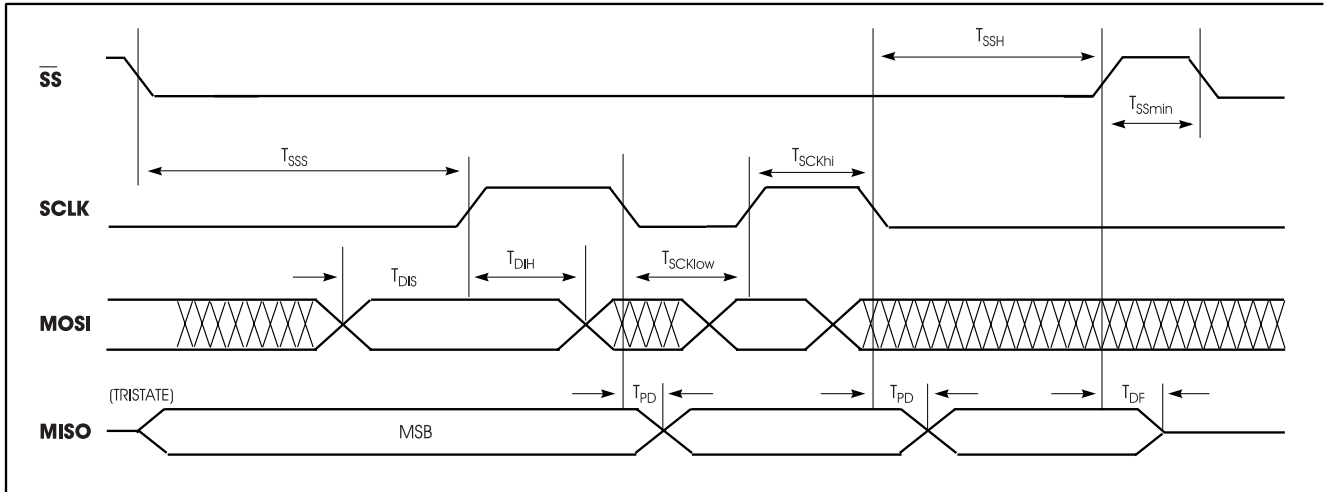
| Symbol                         | Characteristics                   | Min | Max   | Units           | Conditions |
|--------------------------------|-----------------------------------|-----|-------|-----------------|------------|
| T <sub>SSS</sub>               | $\overline{\text{SS}}$ Setup Time | 500 |       | nsec            |            |
| T <sub>SSH</sub>               | $\overline{\text{SS}}$ Hold Time  | 500 |       | nsec            |            |
| T <sub>DIS</sub>               | Data in Setup Time                | 200 |       | nsec            |            |
| T <sub>DIH</sub>               | Data in Hold Time                 | 200 |       | nsec            |            |
| T <sub>PD</sub>                | Output Delay                      |     | 500   | nsec            |            |
| T <sub>DF</sub> <sup>(2)</sup> | Output Delay to hiZ               |     | 500   | nsec            |            |
| T <sub>SSmin</sub>             | $\overline{\text{SS}}$ HIGH       | 1   |       | $\mu\text{sec}$ |            |
| T <sub>SCKhi</sub>             | SCLK High Time                    | 400 |       | nsec            |            |
| T <sub>SCKlow</sub>            | SCLK Low Time                     | 400 |       | nsec            |            |
| F <sub>0</sub>                 | CLK Frequency                     |     | 1,000 | KHz             |            |

1. Typical values:  $T_A = 25^\circ\text{C}$  and 3.0 V. Timing measured at 50 percent of the V<sub>CC</sub> level.
2. Tristate test condition.



**TIMING DIAGRAMS**

**Figure 5: Timing Diagram**



**Figure 6: 8-Bit Command Format**

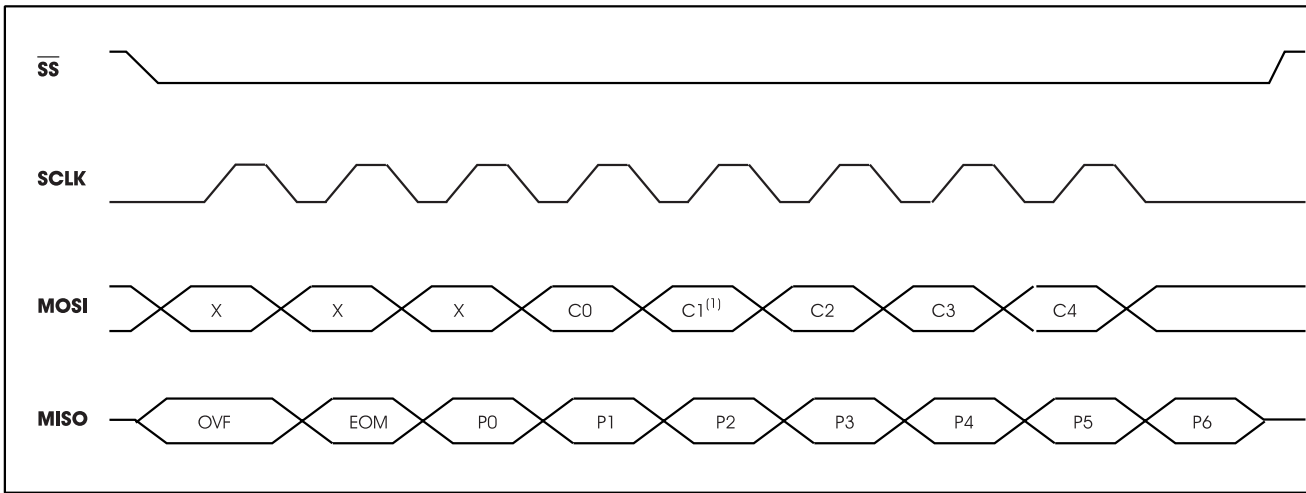


Figure 7: 24-Bit Command Format

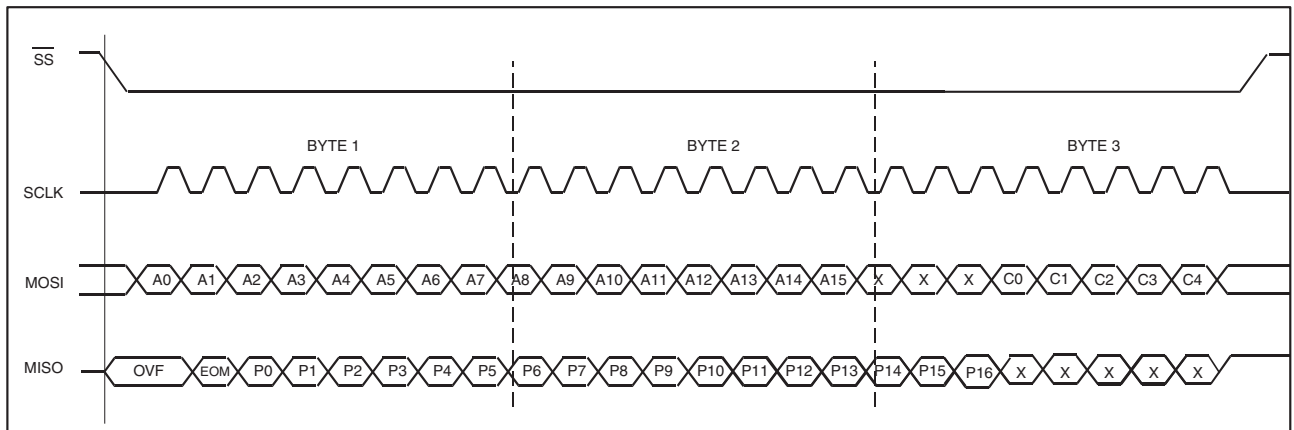


Figure 8: Playback/Record and Stop Cycle

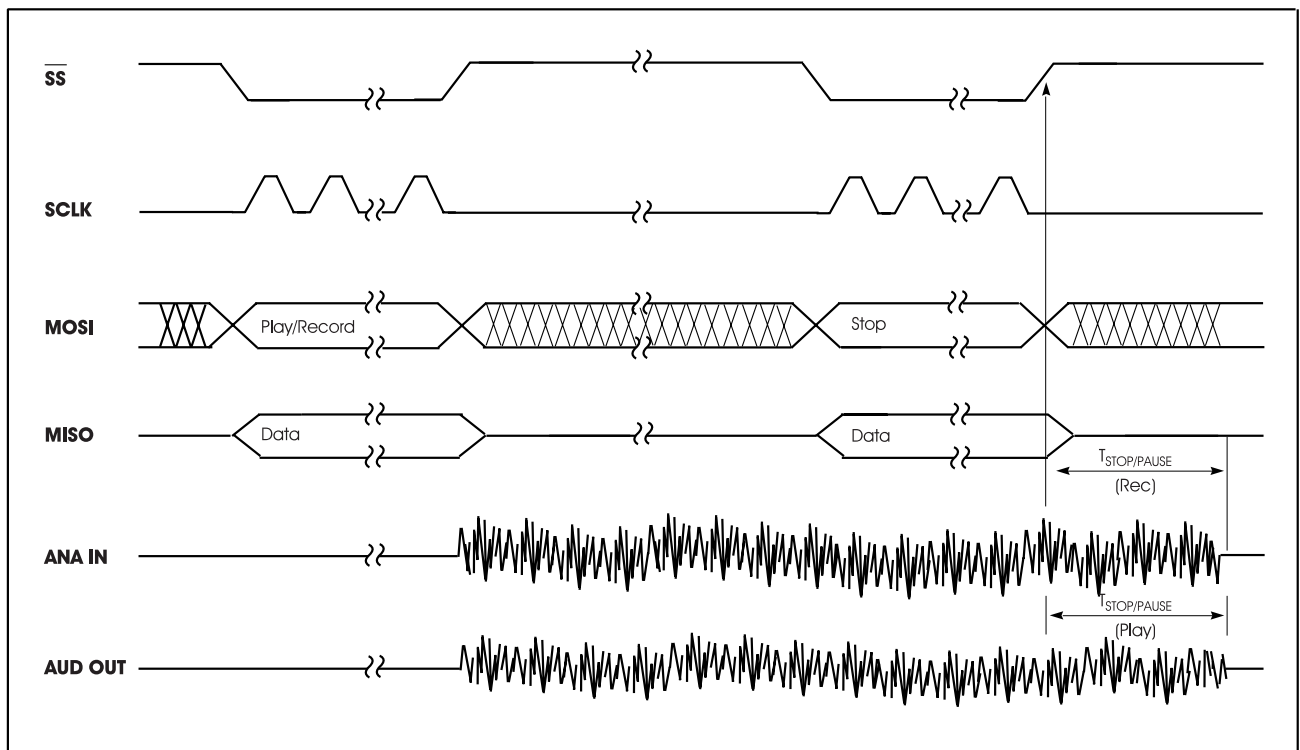
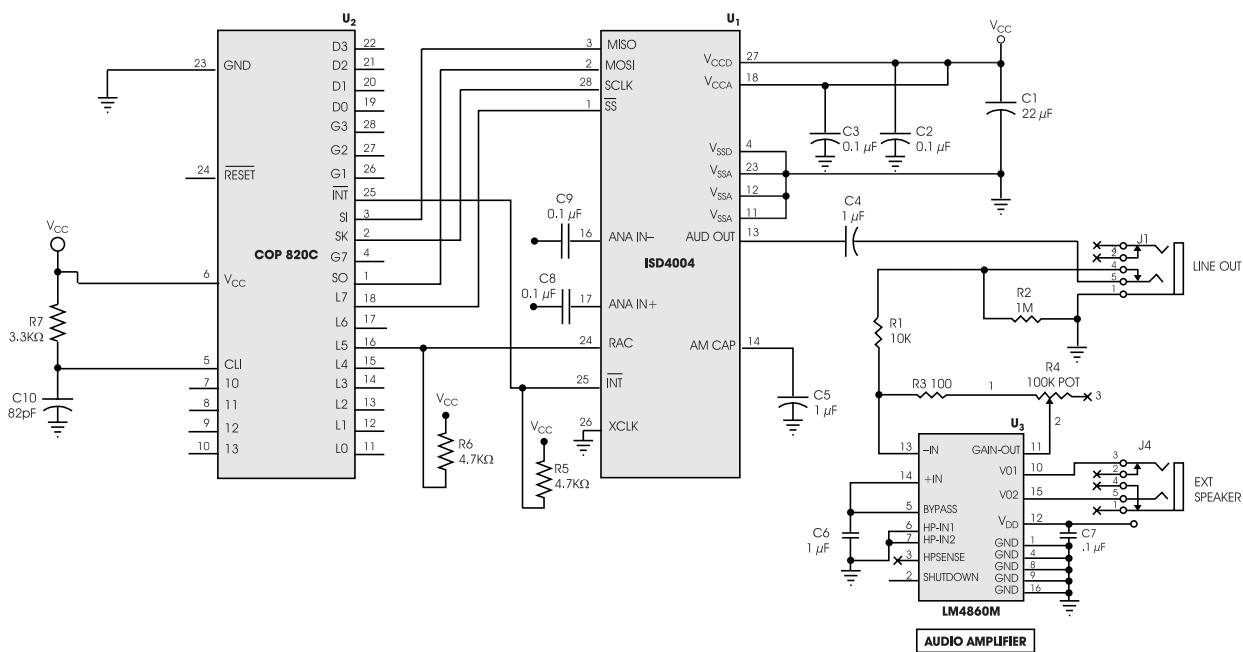


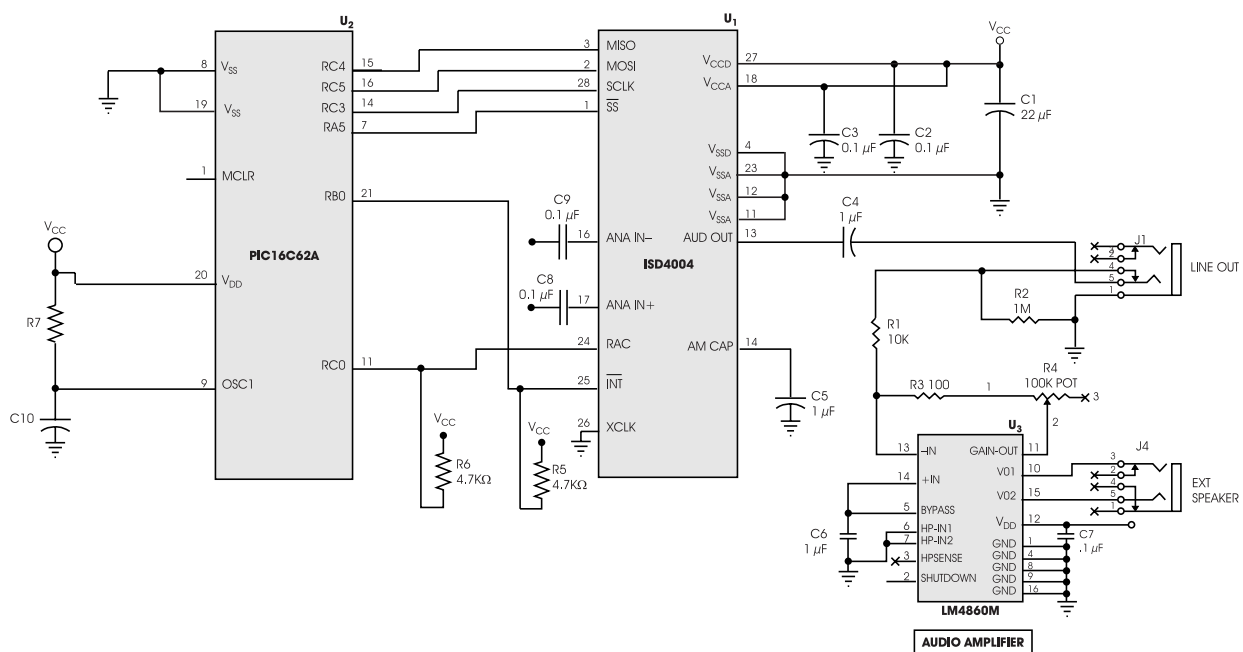


Figure 10: Application Example Using Microwire<sup>(1)</sup>



1. This application example is for illustration purposes only. ISD makes no representation or warranty that such application will be suitable for production.
2. Please make sure the bypass capacitor, C<sub>2</sub> is as close as possible to the package.

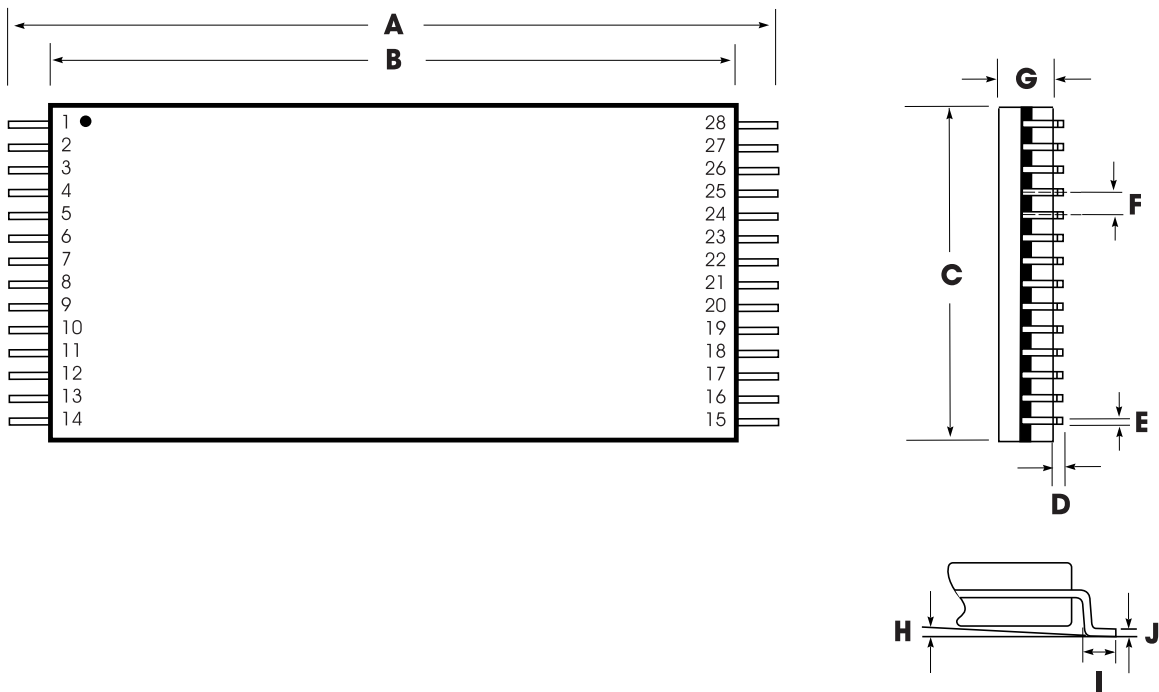
Figure 11: Application Example Using SPI Port on Microcontroller<sup>(1)</sup>



1. This application example is for illustration purposes only. ISD makes no representation or warranty that such application will be suitable for production.
2. Please make sure the bypass capacitor, C<sub>2</sub> is as close as possible to the package.

**DEVICE PHYSICAL DIMENSIONS**

**Figure 12: 28-Lead 8x13.4 mm Plastic Thin Small Outline Package (TSOP) Type I (E)**



**Table 13: Plastic Thin Small Outline Package (TSOP) Type I (E) Dimensions**

|   | INCHES |        |       | MILLIMETERS |       |       |
|---|--------|--------|-------|-------------|-------|-------|
|   | Min    | Nom    | Max   | Min         | Nom   | Max   |
| A | 0.520  | 0.528  | 0.535 | 13.20       | 13.40 | 13.60 |
| B | 0.461  | 0.465  | 0.469 | 11.70       | 11.80 | 11.90 |
| C | 0.311  | 0.315  | 0.319 | 7.90        | 8.00  | 8.10  |
| D | 0.002  |        | 0.006 | 0.05        |       | 0.15  |
| E | 0.007  | 0.009  | 0.011 | 0.17        | 0.22  | 0.27  |
| F |        | 0.0217 |       |             | 0.55  |       |
| G | 0.037  | 0.039  | 0.041 | 0.95        | 1.00  | 1.05  |
| H | 0°     | 3°     | 6°    | 0°          | 3°    | 6°    |
| I | 0.020  | 0.022  | 0.028 | 0.50        | 0.55  | 0.70  |
| J | 0.004  |        | 0.008 | 0.10        |       | 0.21  |

**NOTE:** Lead coplanarity to be within 0.004 inches.

Figure 13: 28-Lead 0.600-Inch Plastic Dual Inline Package (PDIP) (P)

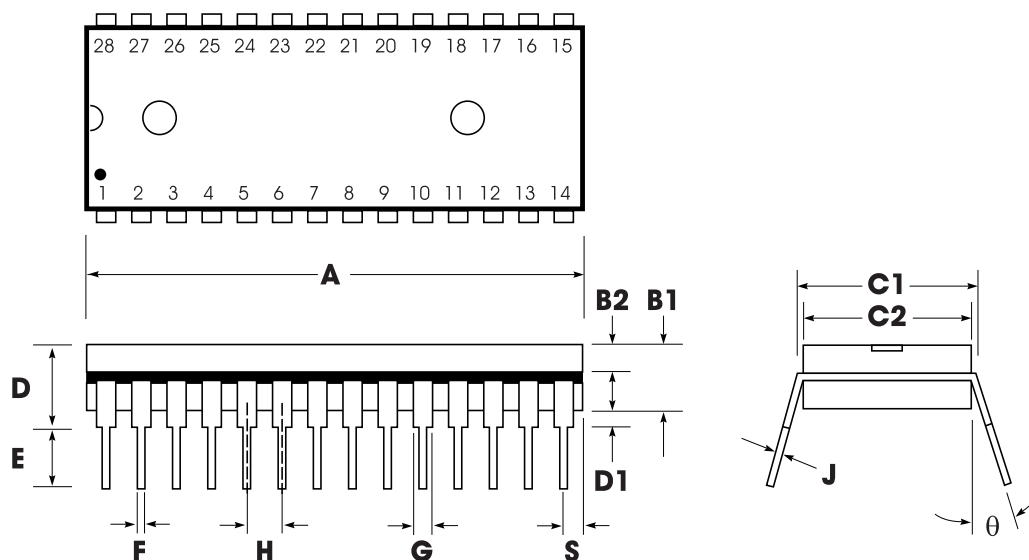


Table 14: Plastic Dual Inline Package (PDIP) (P) Dimensions

|    | INCHES |       |       | MILLIMETERS |       |       |
|----|--------|-------|-------|-------------|-------|-------|
|    | Min    | Nom   | Max   | Min         | Nom   | Max   |
| A  | 1.445  | 1.450 | 1.455 | 36.70       | 36.83 | 36.96 |
| B1 |        | 0.150 |       |             | 3.81  |       |
| B2 | 0.065  | 0.070 | 0.075 | 1.65        | 1.78  | 1.91  |
| C1 | 0.600  |       | 0.625 | 15.24       |       | 15.88 |
| C2 | 0.530  | 0.540 | 0.550 | 13.46       | 13.72 | 13.97 |
| D  |        |       | 0.19  |             |       | 4.83  |
| D1 | 0.015  |       |       | 0.38        |       |       |
| E  | 0.125  |       | 0.135 | 3.18        |       | 3.43  |
| F  | 0.015  | 0.018 | 0.022 | 0.38        | 0.46  | 0.56  |
| G  | 0.055  | 0.060 | 0.065 | 1.40        | 1.52  | 1.65  |
| H  |        | 0.100 |       |             | 2.54  |       |
| J  | 0.008  | 0.010 | 0.012 | 0.20        | 0.25  | 0.30  |
| S  | 0.070  | 0.075 | 0.080 | 1.78        | 1.91  | 2.03  |
| q  | 0°     |       | 15°   | 0°          |       | 15°   |

Figure 14: 28-Lead 0.300-Inch Plastic Small Outline Integrated Circuit (SOIC) (S)

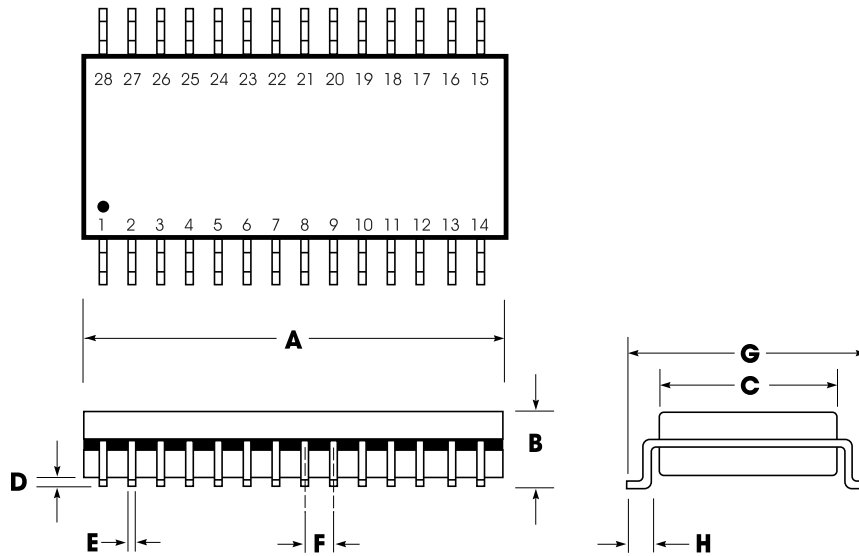


Table 15: Plastic Small Outline Integrated Circuit (SOIC) (S) Dimensions

|   | INCHES |       |        | MILLIMETERS |       |       |
|---|--------|-------|--------|-------------|-------|-------|
|   | Min    | Nom   | Max    | Min         | Nom   | Max   |
| A | 0.701  | 0.706 | 0.711  | 17.81       | 17.93 | 18.06 |
| B | 0.097  | 0.101 | 0.104  | 2.46        | 2.56  | 2.64  |
| C | 0.292  | 0.296 | 0.299  | 7.42        | 7.52  | 7.59  |
| D | 0.005  | 0.009 | 0.0115 | 0.127       | 0.22  | 0.29  |
| E | 0.014  | 0.016 | 0.019  | 0.35        | 0.41  | 0.48  |
| F |        | 0.050 |        |             | 1.27  |       |
| G | 0.400  | 0.406 | 0.410  | 10.16       | 10.31 | 10.41 |
| H | 0.024  | 0.032 | 0.040  | 0.61        | 0.81  | 1.02  |

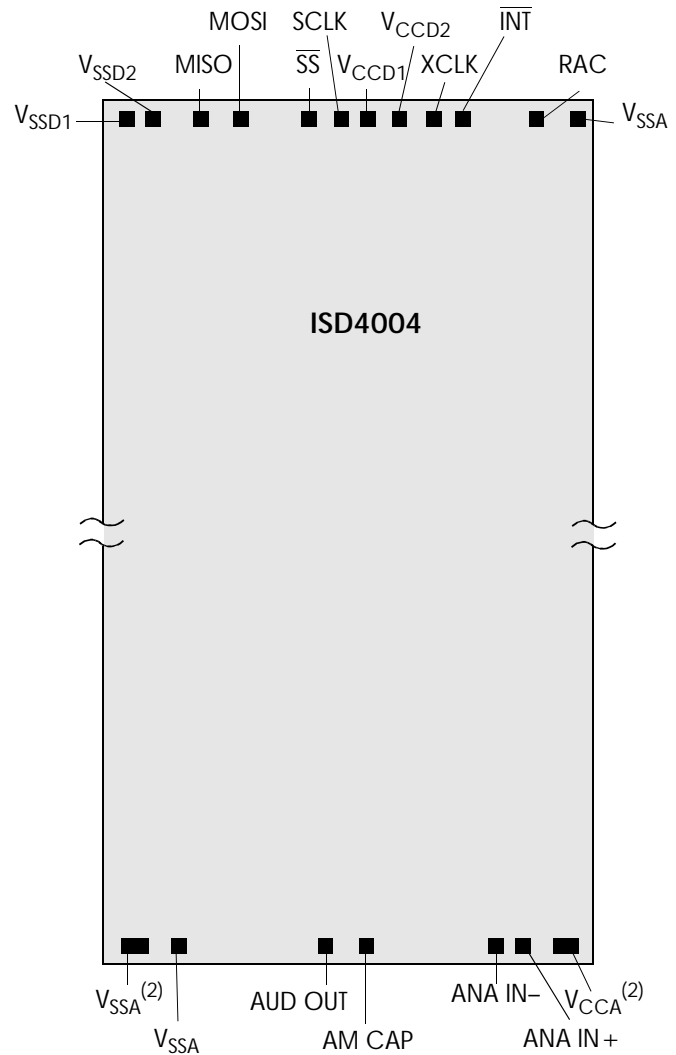
NOTE: Lead coplanarity to be within 0.004 inches.



**Figure 15: ISD4004 Series Bonding Physical Layout<sup>1</sup> (Unpackaged Die)**

### ISD4004 Series

- I. Die Dimensions  
X: 4230 microns  
Y: 9780 microns
- II. Die Thickness<sup>(3)</sup>  
11.5 ±0.5 mils
- III. Pad Opening (min)  
90 x 90 microns  
3.5 x 3.5 mils



1. The backside of die is internally connected to V<sub>SS</sub>. It **MUST NOT** be connected to any other potential or damage may occur.
2. Double bond recommended.
3. This figure reflects the current die thickness. Please contact ISD as this thickness may change in the future.

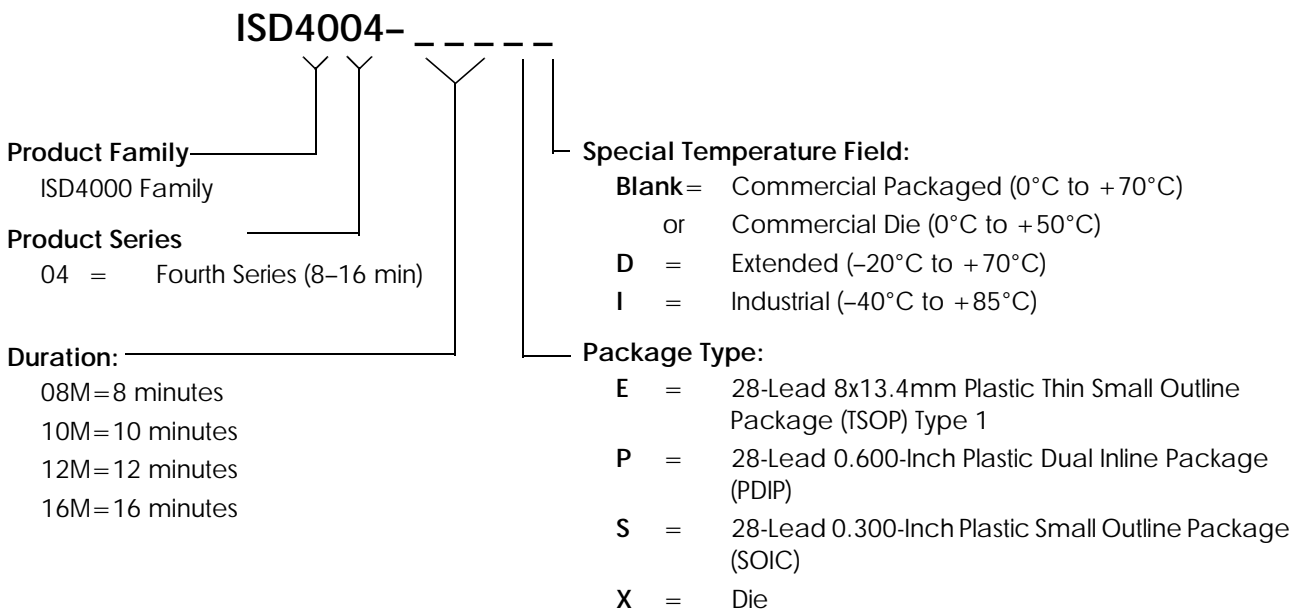
**Table 16: ISD4004 Series Device Pin/Pad Designations,  
with Respect to Die Center ( $\mu\text{m}$ )**

| Pin                             | Pin Name                             | X Axis  | Y Axis  |
|---------------------------------|--------------------------------------|---------|---------|
| V <sub>SSA</sub>                | V <sub>SS</sub> Analog Power Supply  | -1898.1 | -4622.4 |
| V <sub>SSA</sub>                | V <sub>SS</sub> Analog Power Supply  | -1599.9 | -4622.4 |
| AUD OUT                         | Audio Output                         | 281.9   | -4622.4 |
| AM CAP                          | AutoMute                             | 577.3   | -4622.4 |
| ANA IN -                        | Inverting Analog Input               | 1449.4  | -4622.4 |
| ANA IN +                        | Noninverting Analog Input            | 1603.5  | -4622.4 |
| V <sub>CCA</sub> <sup>(1)</sup> | V <sub>CC</sub> Analog Power Supply  | 1898.7  | -4622.4 |
| V <sub>SSA</sub>                | V <sub>SS</sub> Analog Power Supply  | 1885.2  | -4622.4 |
| RAC                             | Row Address Clock                    | 1483.8  | 4623.7  |
| INT                             | Interrupt                            | 794.8   | 4623.7  |
| XCLK                            | External Clock Input                 | 564.8   | 4623.7  |
| V <sub>CCD2</sub>               | V <sub>CC</sub> Digital Power Supply | 387.9   | 4623.7  |
| V <sub>CCD1</sub>               | V <sub>CC</sub> Digital Power Supply | 169.5   | 4623.7  |
| SCLK                            | Slave Clock                          | -14.7   | 4623.7  |
| SS                              | Slave Select                         | -198.1  | 4623.7  |
| MOSI                            | Master Out Slave In                  | -1063.7 | 4623.7  |
| MISO                            | Master In Slave Out                  | -1325.6 | 4623.7  |
| V <sub>SSD1</sub>               | V <sub>SS</sub> Digital Power Supply | -1655.3 | 4623.7  |
| V <sub>SSD2</sub>               | V <sub>SS</sub> Digital Power Supply | -1836.9 | 4623.7  |

1. Double bond recommended.

## ORDERING INFORMATION

### Product Number Descriptor Key



When ordering ISD4004 series devices, please refer to the following valid part numbers.

| Part Number   | Part Number   | Part Number   | Part Number   |
|---------------|---------------|---------------|---------------|
| ISD4004-08ME  | ISD4004-10ME  | ISD4004-12ME  | ISD4004-16ME  |
| ISD4004-08MED | ISD4004-10MED | ISD4004-12MED | ISD4004-16MED |
| ISD4004-08MEI | ISD4004-10MEI | ISD4004-12MEI | ISD4004-16MEI |
| ISD4004-08MP  | ISD4004-10MP  | ISD4004-12MP  | ISD4004-16MP  |
| ISD4004-08MS  | ISD4004-10MS  | ISD4004-12MS  | ISD4004-16MS  |
| ISD4004-08MSI | ISD4004-10MSI | ISD4004-12MSI | ISD4004-16MSI |
| ISD4004-08MX  | ISD4004-10MX  | ISD4004-12MX  | ISD4004-16MX  |

For the latest product information, access ISD's worldwide website at <http://www.isd.com>.

## IMPORTANT NOTICES

The warranty for each product of ISD (Information Storage Devices, Inc.), is contained in a written warranty which governs sale and use of such product. Such warranty is contained in the printed terms and conditions under which such product is sold, or in a separate written warranty supplied with the product. Please refer to such written warranty with respect to its applicability to certain applications of such product.

These products may be subject to restrictions on use. Please contact ISD, for a list of the current additional restrictions on these products. By purchasing these products, the purchaser of these products agrees to comply with such use restrictions. Please contact ISD for clarification of any restrictions described herein.

ISD, reserves the right, without further notice, to change the ISD ChipCorder product specifications and/or information in this document and to improve reliability, functions and design.

ISD assumes no responsibility or liability for any use of the ISD ChipCorder products. ISD conveys no license or title, either expressed or implied, under any patent, copyright, or mask work right to the ISD ChipCorder products, and ISD makes no warranties or representations that the ISD ChipCorder products are free from patent, copyright, or mask work right infringement, unless otherwise specified.

Application examples and alternative uses of any integrated circuit contained in this publication are for illustration purposes only and ISD makes no representation or warranty that such applications shall be suitable for the use specified.

The 100-year retention and 100K record cycle projections are based upon accelerated reliability tests, as published in the ISD Reliability Report, and are neither warranted nor guaranteed by ISD.

Information contained in this ISD ChipCorder data sheet supersedes all data for the ISD ChipCorder products published by ISD prior to September, 1998.

This data sheet and any future addendum to this data sheet is (are) the complete and controlling ISD ChipCorder product specifications. In the event any inconsistencies exist between the information in this and other product documentation, or in the event that other product documentation contains information in addition to the information in this, the information contained herein supersedes and governs such other information in its entirety.

Copyright© 1998, ISD (Information Storage Devices, Inc.) All rights reserved. ISD is a registered trademark of ISD. ChipCorder is a trademark of ISD. All other trademarks are properties of their respective owners.



*A Winbond Company*

2727 North First Street  
San Jose, California 95134  
Tel: 408/943-6666  
Fax: 408/544-1787

Part No. 2200998D4004

---