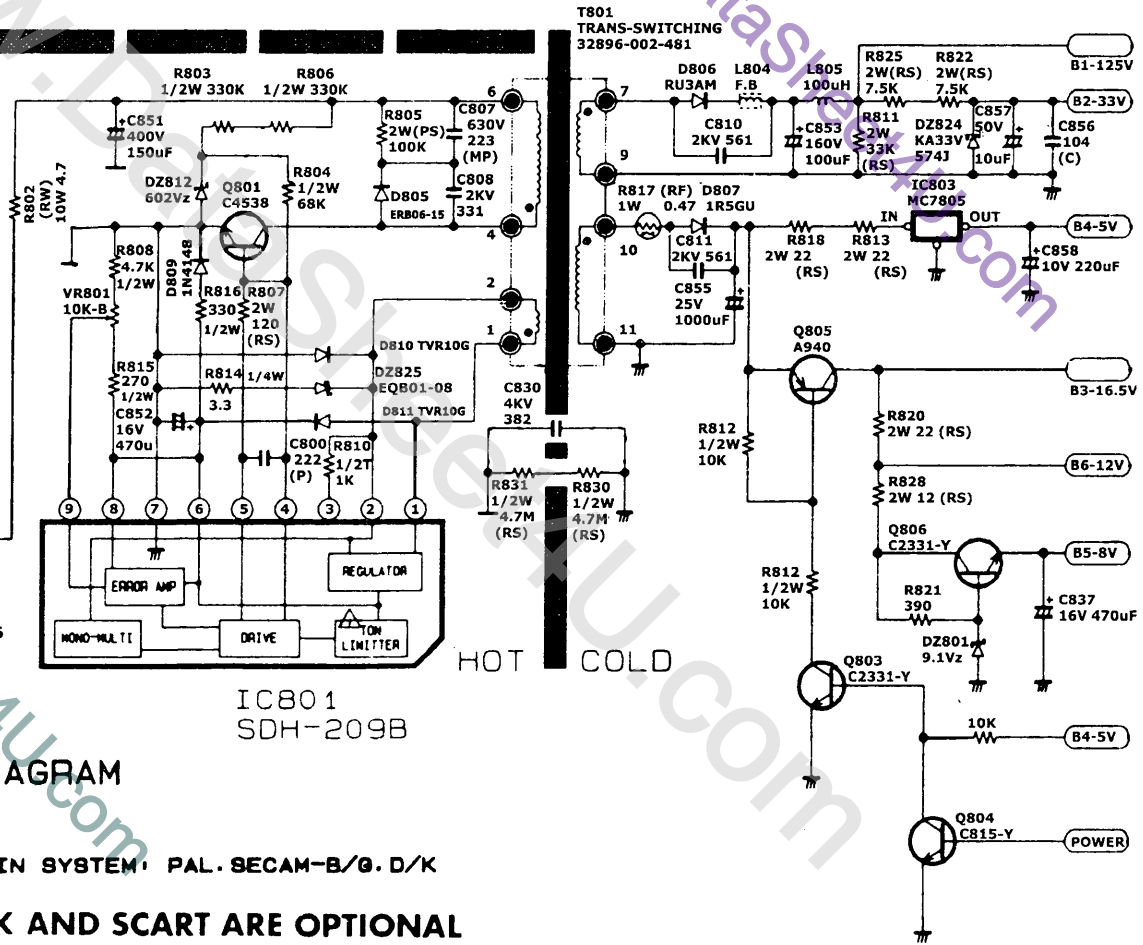


micro
ELECTRONIC

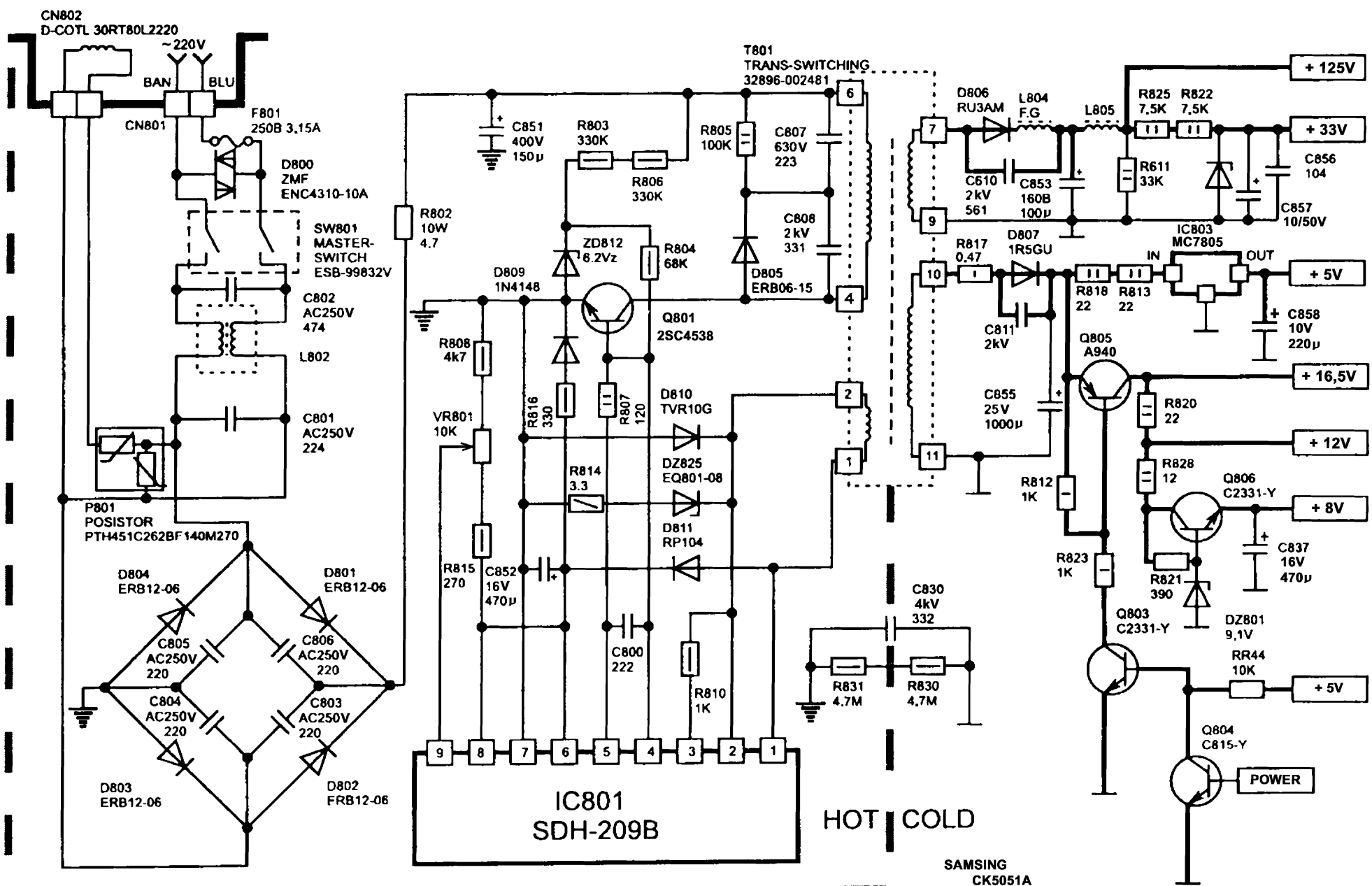
Dragoljub Janković
microe@ptt.yu
031/ 512 402 - 514 582



SCHEMATIC DIAGRAM
CHASSIS : P68SA1

BOARD NAME : MAIN SYSTEM, PAL, SECAM-B/G, D/K

NOTE: SECAM, D/K AND SCART ARE OPTIONAL



SAMSUNG
CK5051A

