

KNIGHTLIGHT

KLS2 16 LED CHASER LIGHT

Page 1 of 9

General Description

The KLS2 Chaser Light is available in Red, Green, Amber, Blue and White using 5mm T1 ¾ LED's. A length of wire is attached to the light for ease of installation. The lights can be used as it stands or other modules can be daisy chained to make a longer light effect.

Features

- ▶ Fading trail effect
- ▶ Refresh rates in excess of 8000Hz
- ▶ Can be configured for external inputs

Applications

- ▶ Automotive Security Light for the dash.
- ▶ Decorative Light for a PC

Operating Ratings

Voltage Input	6-12V
Temperature	-10C to +70c
Supply current	< 100mA

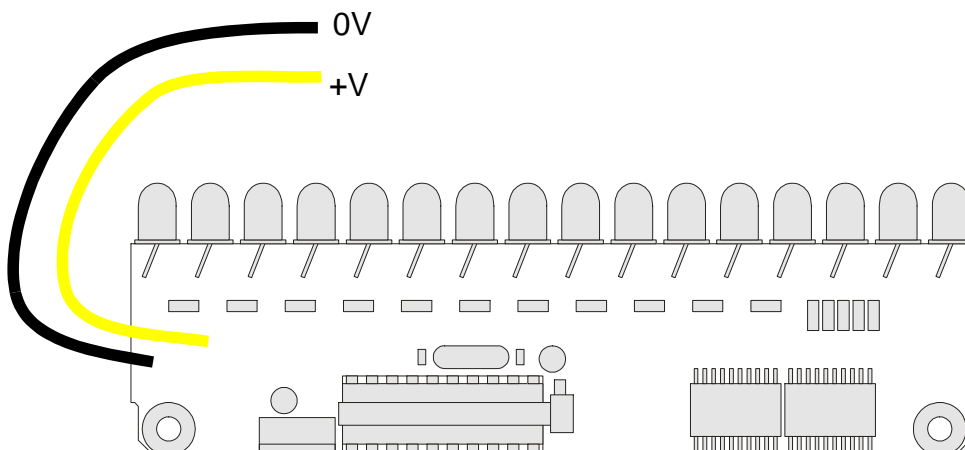
Configuration Options

KLS2c-xx-yy

c	Colour
r	= Red
g	= Green
b	= Blue
a	= Amber
w	= White
xx	Noise Suppression Option
IMU	= Supression Fitted
PC	= No Supression Fitted
yy	How the LED's are mounted
< none >	= Monted on edge
t	= Monted on Top
b	= Monted on Bottom
w	= 16 inch wires.

Wiring Diagram

The KLS2 Chaser Light comes with 80cm or more of both Yellow and black wire, soldered to the light at one end and the other end is bare tinned wire.



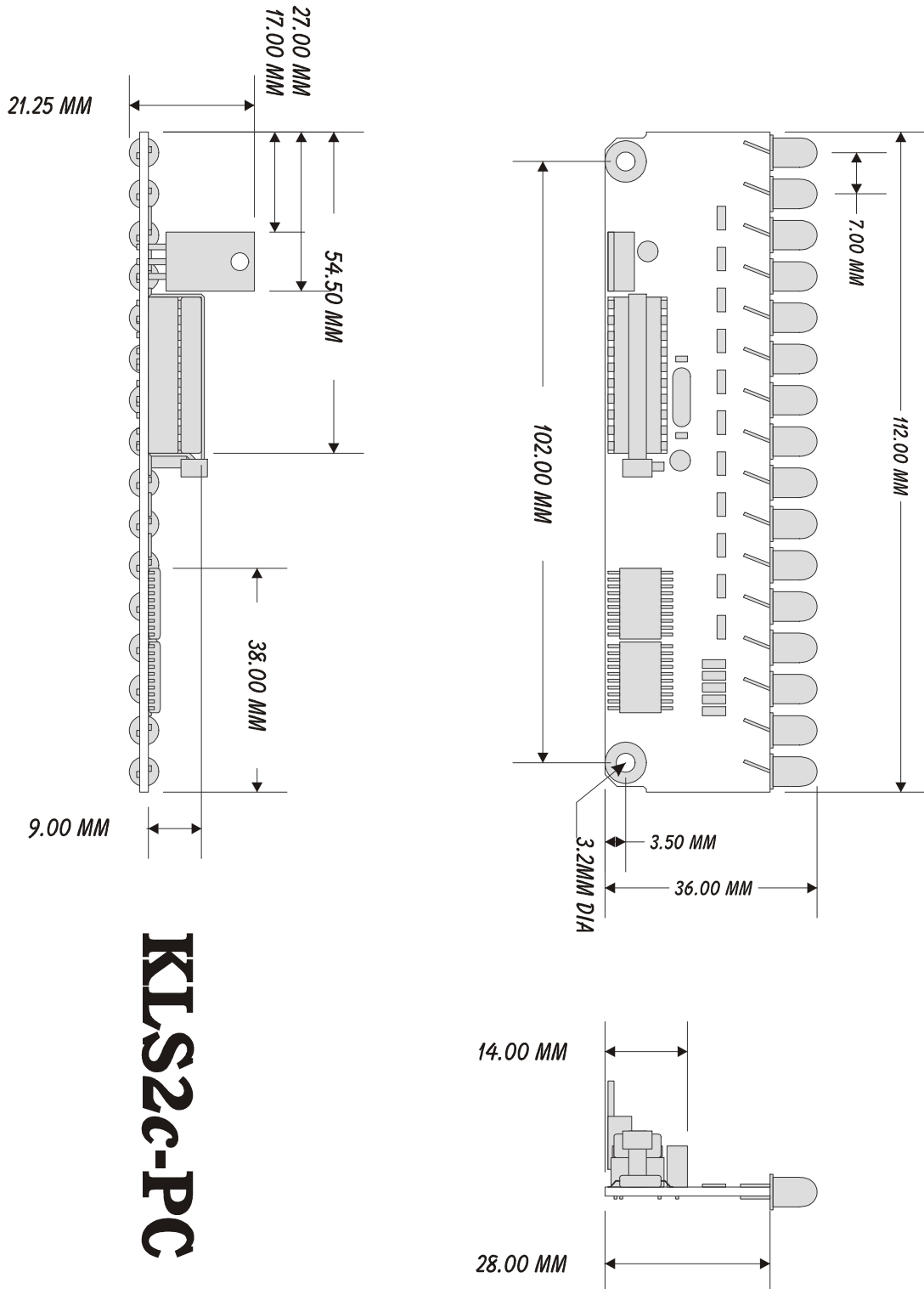
KNIGHTLIGHT

KLS2-PC 16 LED CHASER LIGHT

Mechanical Diagram

This model of the scanner light is ideal for a home computer or anywhere where there is a 12V or 9V DC power available.

LED's mounted on the edge of the board.



KLS2c-PC

KNIGHTLIGHT

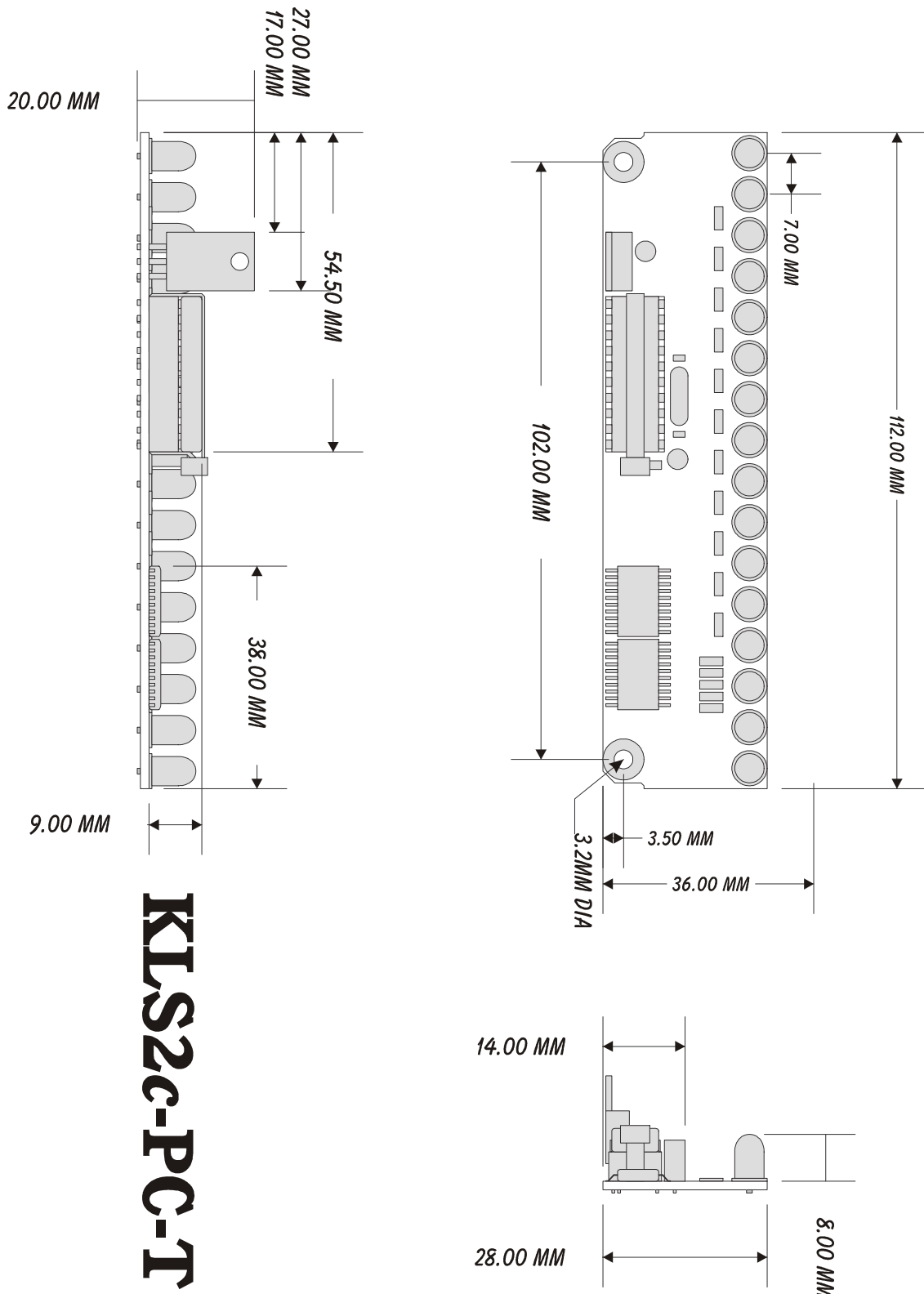
KLS2-PC-T 16 LED CHASER LIGHT

KLS2 16 LED Chaser Light

Mechanical Diagram

This model of the scanner light is ideal for a home computer or anywhere where there is a 12V or 9V DC power available.

LED's mounted on the same side as the other components.



KLS2c-PC-T

KNIGHTLIGHT

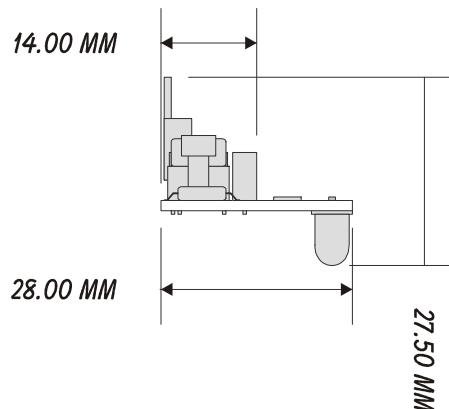
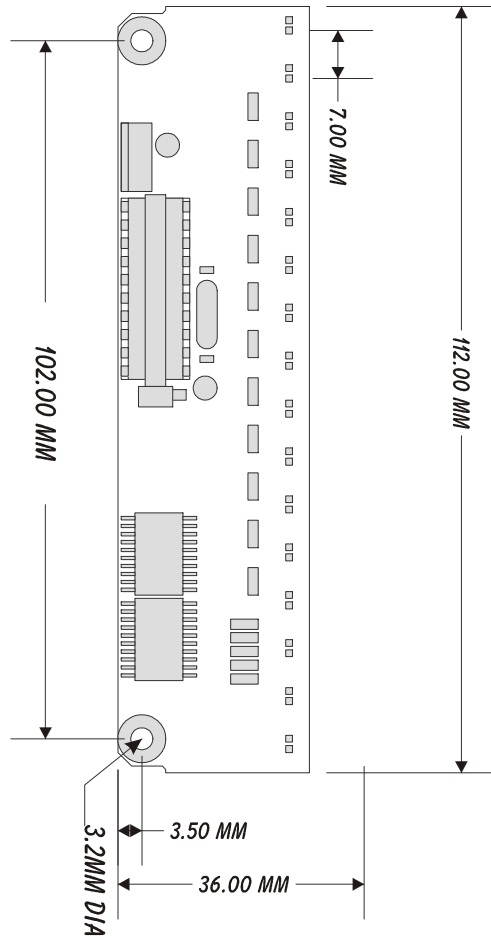
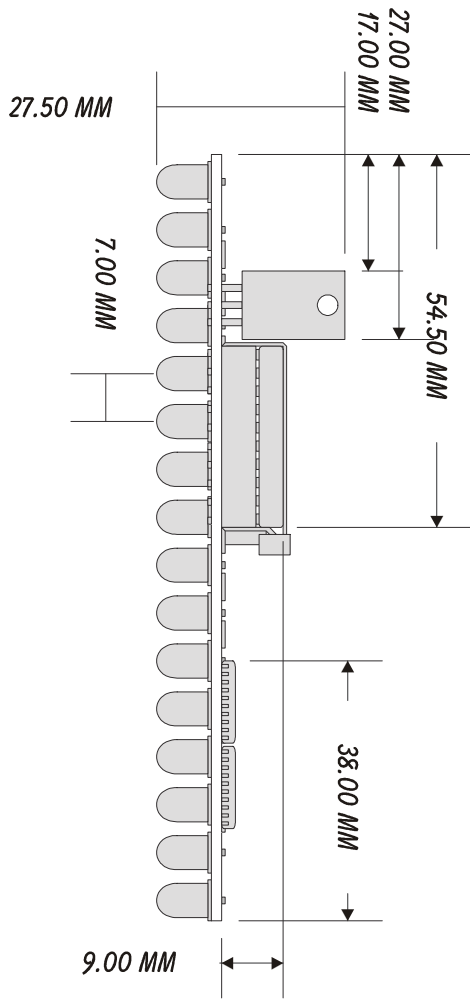
KLS2-PC-B 16 LED CHASER LIGHT

KLS2 16 LED Chaser Light

Mechanical Diagram

This model of the scanner light is ideal for a home computer or anywhere where there is a 12V or 9V DC power available.

LED's mounted on the back of the circuit.



KLS2c-PC-B

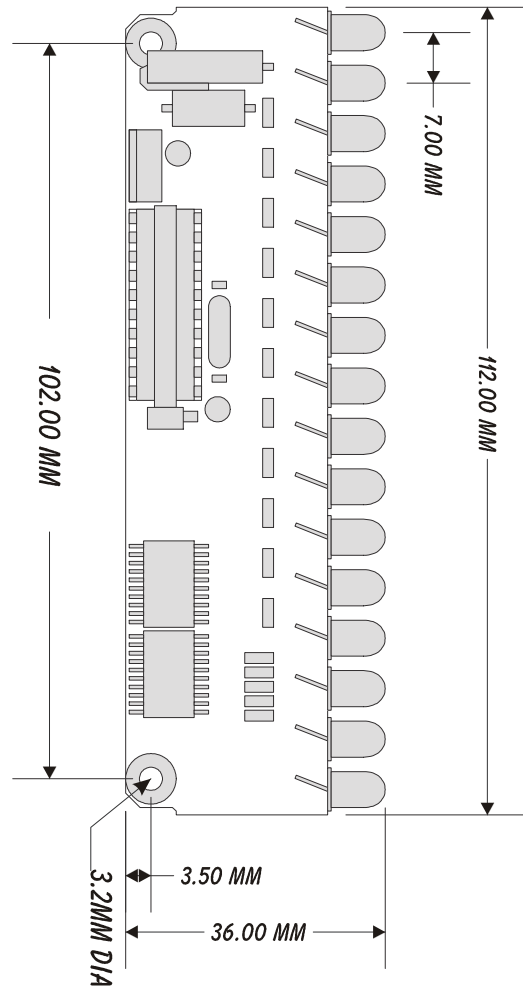
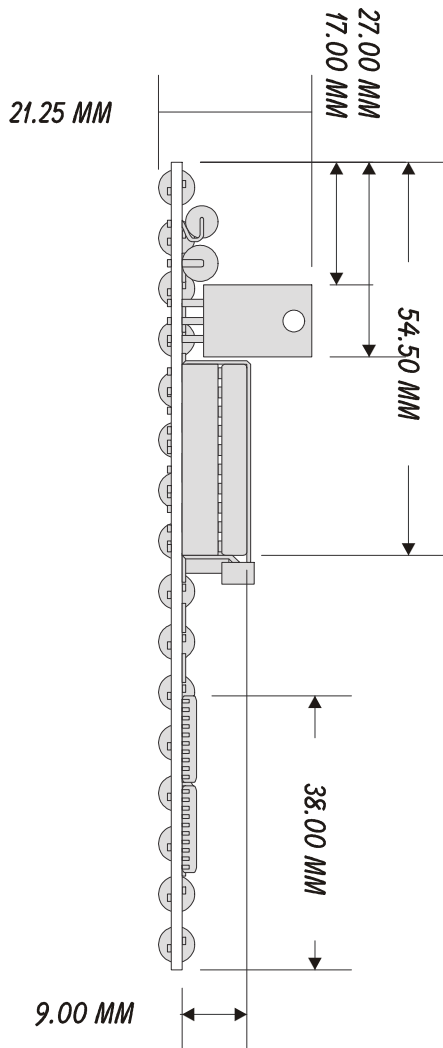
KNIGHTLIGHT

KLS2-IMU 16 LED CHASER LIGHT

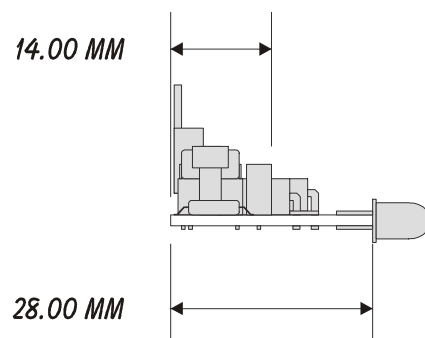
KLS2 16 LED Chaser Light

Mechanical Diagram

Contains the voltage suppression circuitry, idea for the automotive environment.
LED's mounted on the edge of the board.



KLS2c-IMU



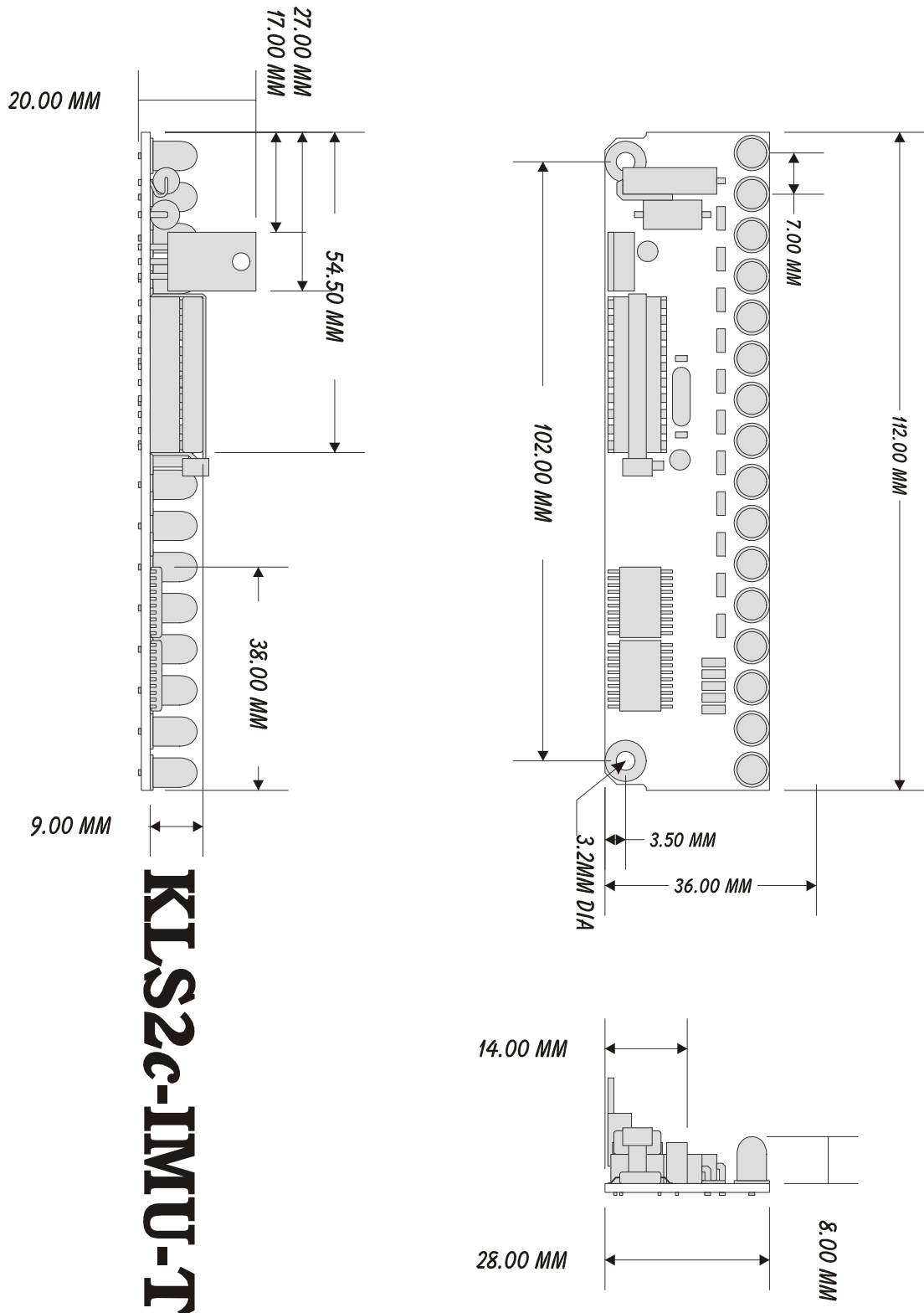
KNIGHTLIGHT

KLS2-IMU-T 16 LED CHASER LIGHT

Mechanical Diagram

LED's mounted on the same side as the other components.

Contains the voltage suppression circuitry, idea for the automotive environment.



KLS2 16 LED Chaser Light

KNIGHTLIGHT

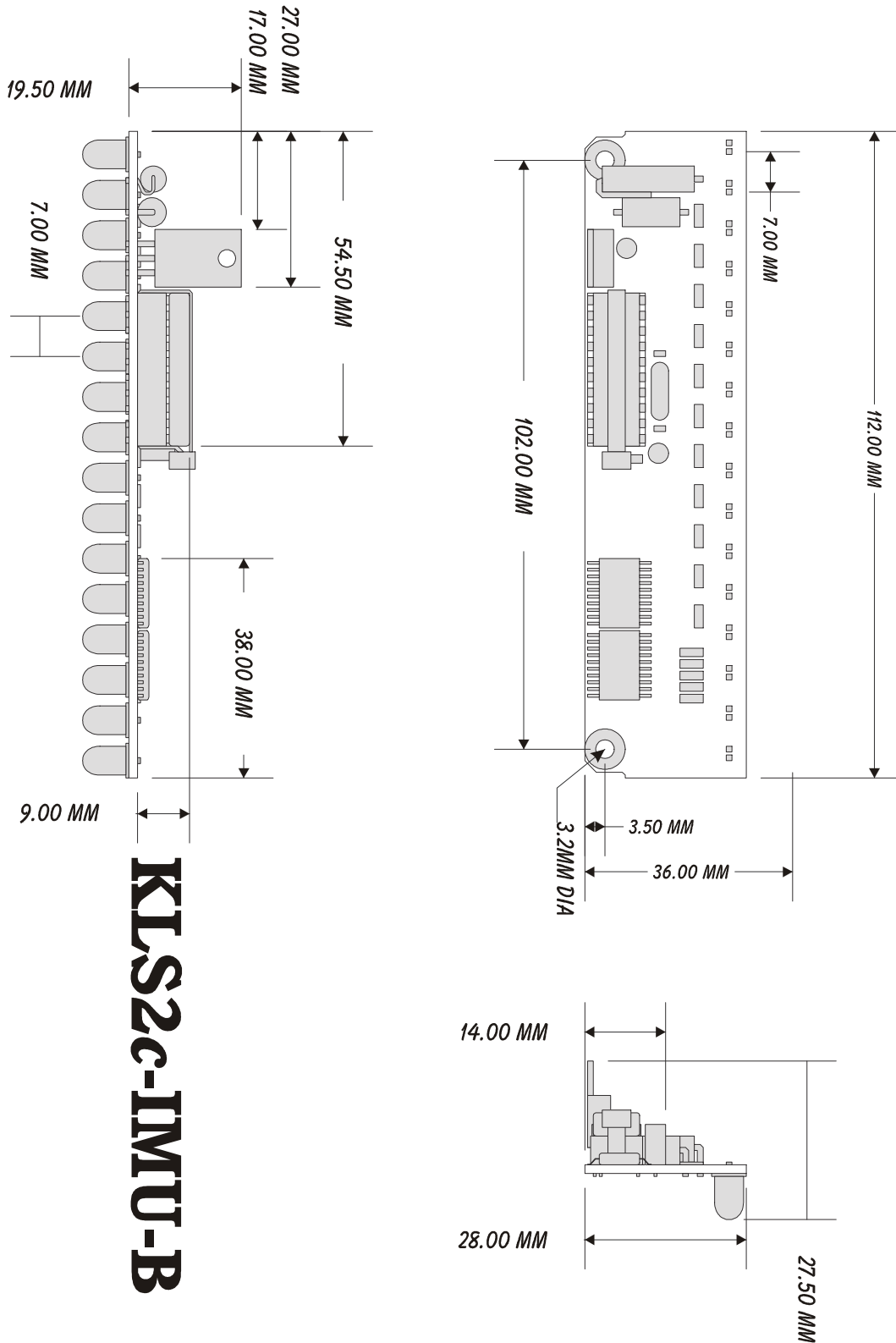
KLS2-IMU-B 16 LED CHASER LIGHT

KLS2 16 LED Chaser Light

Mechanical Diagram

LED's mounted on the back of the circuit.

Contains the voltage suppression circuitry, idea for the automotive environment.



KNIGHTLIGHT

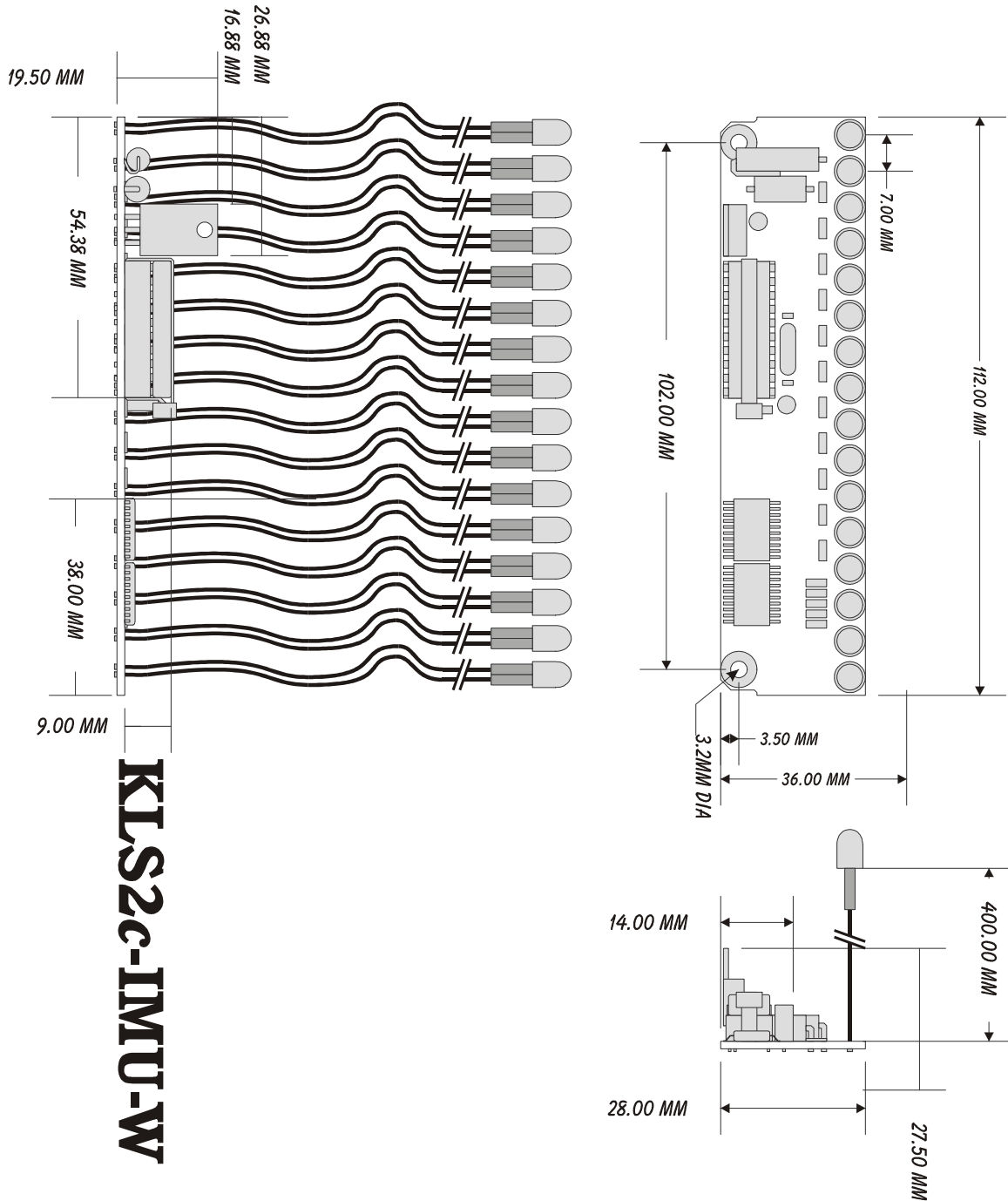
KLS2-IMU-W 16 LED CHASER LIGHT Page 8 to 9

Mechanical Diagram

LED's mounted on 16 inch wires so you can position the LED's almost anywhere local to the main board. To help with positioning the LED's there is insulation rubber covering the legs of the LED's and the join to the wire.

Ideal if you want to go for a random light effect in a moded computer case or if you want to place the LED's around a processor fan for example.

Contains the voltage suppression circuitry, idea for the automotive environment.



KLS2c-IMU-W

KLS2 16 LED Chaser Light

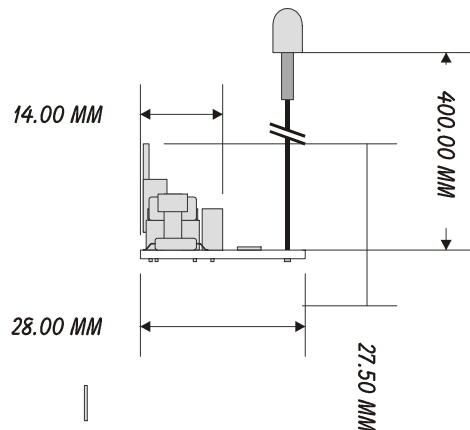
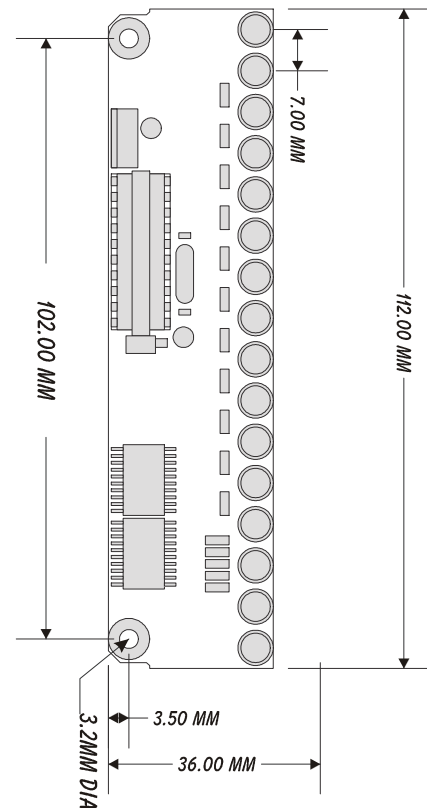
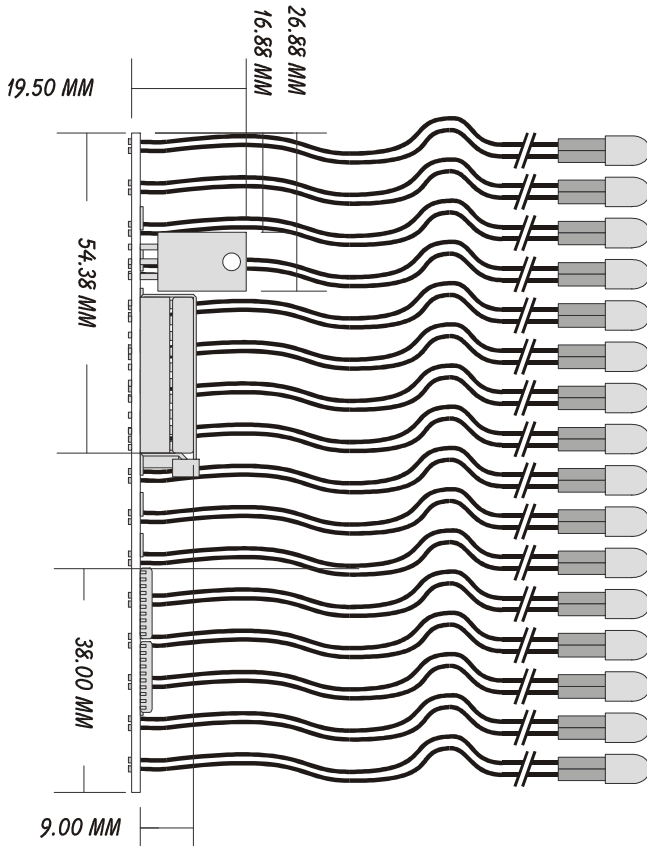
KNIGHTLIGHT

KLS2-PC-W 16 LED CHASER LIGHT

Mechanical Diagram

LED's mounted on 16 inch wires so you can position the LED's almost anywhere local to the main board. To help with positioning the LED's there is insulation rubber covering the legs of the LED's and the join to the wire.

Ideal if you want to go for a random light effect in a moded computer case or if you want to place the LED's around a processor fan for example.



KLS2c-PC-W

KLS2 16 LED Chaser Light