

# 2-input, 1-output video signal switcher

## BA7654F

The BA7654F is video signal switch consisting of two input pins (IN1 and IN2), one CTL pin (CTL), and one output pin (OUT). The inputs are sync-tip clamped (synchronous edge of the video input signals are aligned to the same voltage), and as the input impedance is extremely large, it is possible to use a small value for the clamp capacitor (the recommended capacitor is 0.01 $\mu$ F (FZ) ceramic).

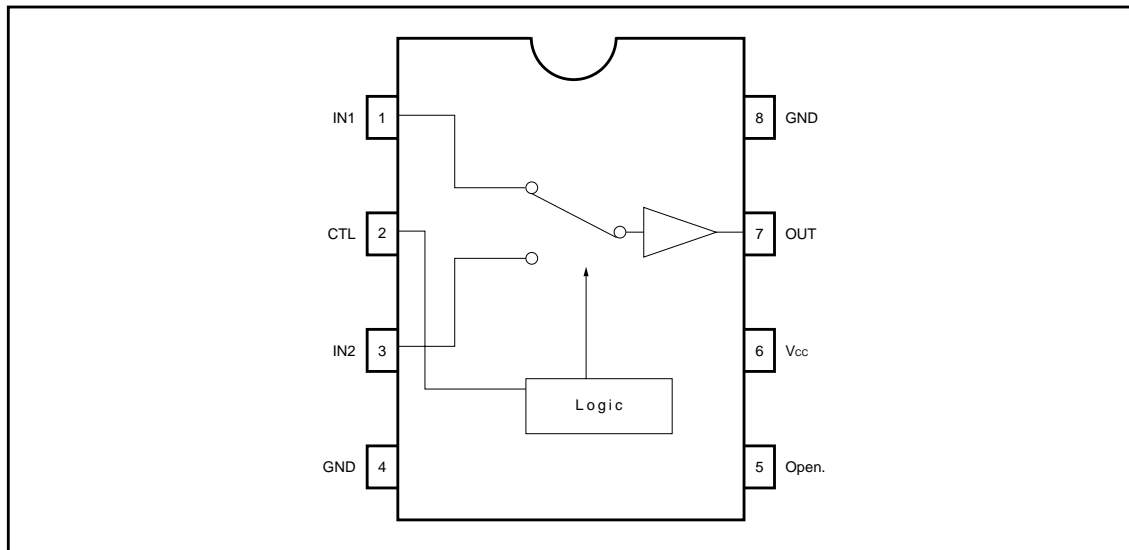
### ●Applications

VCRs, TVs, and other equipment using video signals

### ●Features

- 1) Small clamp capacitors can be used (ceramic, 3000pF (Min.), 0.01 $\mu$ F (FZ) (recommended)).
- 2) Low supply voltage operation possible supply voltage range is 3.7V to 7.7V.
- 3) Superimposition used for fast switching speed with low switching noise (70ns Typ.).
- 4) Low power consumption (when  $V_{CC}=5V$ , 25mW Typ.).
- 5) Wide dynamic range (when  $V_{CC}=5V$ , 3.1V<sub>P-P</sub> Typ.).
- 6) Excellent frequency characteristics (10MHz, 0dB Typ.).
- 7) Low interchannel crosstalk (-70dB Typ.).
- 8) Voltage can be applied to the control pins even when  $V_{CC}$  is not applied.

### ●Block diagram



## Multimedia ICs

## ●Selected output mode setting table

CTL	OUT
L	IN1
H	IN2

## ●Absolute maximum ratings (Ta=25°C)

Parameter	Symbol	Limits	Unit
Applied voltage	V <sub>CC</sub>	9	V
Power dissipation	P <sub>d</sub>	500*	mW
Operating temperature	T <sub>opr</sub>	-25 ~ +75	°C
Storage temperature	T <sub>stg</sub>	-55 ~ +125	°C

\* Reduced by 50mW for each increase in Ta of 1°C over 25°C.

## ●Recommended operating conditions (Ta=25°C)

Parameter	Symbol	Limits	Unit
Operating power supply voltage	V <sub>CC</sub>	4.0 ~ 7.0	V

©Not designed for radiation resistance.

Multimedia ICs

●Input / output circuits

Pin No.	Pin name	Reference voltage (V <sub>CC</sub> = 5V)	Input / output impedance	Equivalent circuit
1	IN 1	1.65V	10MΩ or more	
2	CTL	-	-	
3	IN 2	1.65V	10MΩ or more	
4	GND	-	-	

## Multimedia ICs

Pin No.	Pin name	Reference voltage ( $V_{CC} = 5V$ )	Input / output impedance	Equivalent circuit
6	$V_{CC}$	0.5V	-	
7	OUT	0.95V	$26\Omega$	
8	GND	0V	-	

Multimedia ICs

●Electrical characteristics (Unless otherwise noted, Ta=25°C, Vcc=5.0V)

Parameter	Symbol	Min.	Typ.	Max.	Unit	Conditions
Power supply voltage	Vcc	3.7	–	7.7	V	–
Circuit current	Icc	2.7	5.0	8.2	mA	–
Maximum output level	Vom	2.6	3.1	–	VP-P	f=1kHz, THD=1.0%
Voltage gain	Gv	–0.5	0	+0.5	dB	f=1MHz, VIN=1.0VP-P
Interchannel crosstalk	Cta	–	–70	–	dB	f=4.43MHz, VIN=1.0VP-P
Frequency characteristics	Gf	–3.0	0	+1.0	dB	f=10MHz/1MHz, VIN=1.0VP-P
CTL switching voltage	VthL	–	–	1.0	V	*
	VthH	2.5	–	–		

\* Vcc-CTL Threshold Level

$$V_{th} = \frac{V_{cc}-V_F}{45} \times 20 \text{ (V)}$$

●Guaranteed design parameters (Unless otherwise noted, Ta=25°C, Vcc=5V)

Parameter	Symbol	Min.	Typ.	Max.	Unit	Conditions
Differential gain	DG	–	0	0.5	%	VIN=1.0VP-P standard staircase signal
Differential phase	DP	–	0.5	1.0	deg	VIN=1.0VP-P standard staircase signal

●Measurement circuit

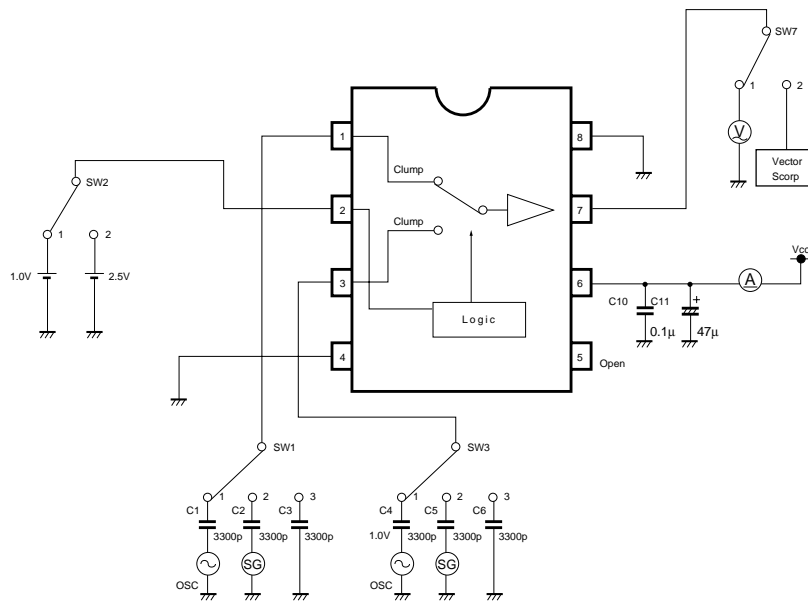


Fig. 1

## Multimedia ICs

## ● Measurement conditions

Parameter		Symbol	SW1	SW3	SW2	SW7	Conditions
Circuit current		Icc	3	3	2	–	–
Maximum output level	IN1	Vom1	1	3	1	1	f=1kHz THD=1.0%*1
	IN2	Vom2	3	1	2	1	
Voltage gain	IN1	Gv1	1	3	1	1	VIN=1.0VP-P f=1MHz*2
	IN2	Gv2	3	1	2	1	
Frequency characteristics	IN1	Gf1	1	3	1	1	VIN=1.0VP-P f=1MHz and 10MHz*3
	IN2	Gf2	3	1	2	1	
Interchannel crosstalk	IN1→IN2	Cta1-2	1	3	2	1	VIN=1.0VP-P f=4.43MHz*4
	IN2←IN1	Cta2-1	3	1	1	1	
Differential gain	IN1	Dg1	2	3	1	2	VIN=1.0VP-P standard staircase signal
	IN2	Dg2	3	2	2	2	
Differential phase	IN1	Dp1	2	3	1	2	VIN=1.0VP-P standard staircase signal
	IN2	Dp2	3	2	2	2	

\* CTL switching level is substituted by performing the above measurements.

\*1 Connect a distortion meter to the output. After adding a f=1kHz sine wave input from the OSC, adjust the input level so that the output distortion is 1.0%. The output voltage at that time is the maximum output level Vom [V-P-P].

\*2 Apply to the input pin a VIN=1.0VP-P, f=1MHz sine wave input.  
Voltage gain  $Gv=20\text{-log}(V_{OUT}/V_{IN})$

\*3 Apply to the input pin VIN=1.0VP-P, f=1MHz and 10MHz sine wave inputs.  
Frequency characteristics  $Gf=Gv(f=1\text{MHz}) - Gv(f=10\text{MHz})$

\*4 Apply to the input pin a VIN=1.0VP-P, f=4.43MHz sine wave input.  
Interchannel crosstalk  $Cta=20\text{log}(V_{OUT}/V_{IN})$

●Application examples

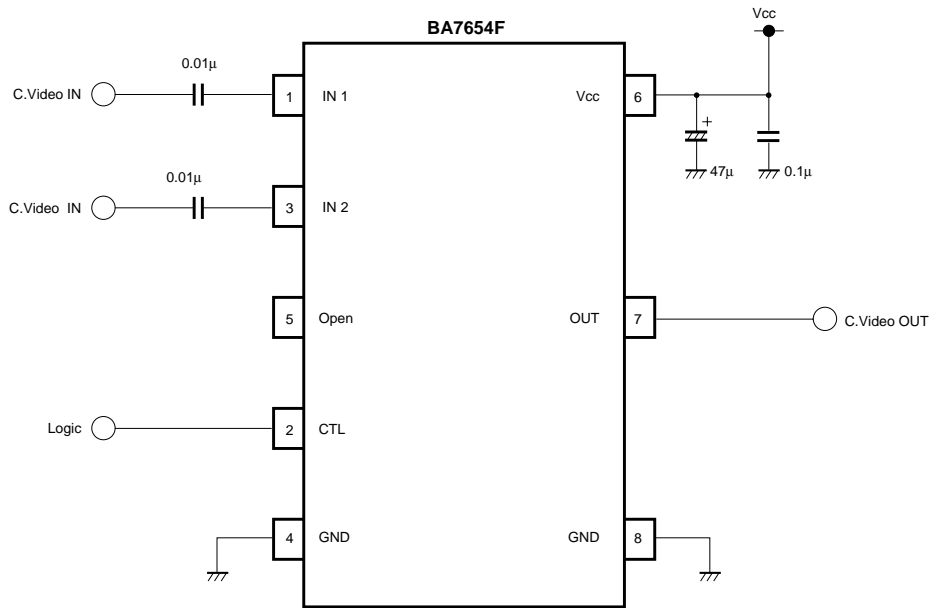


Fig. 2

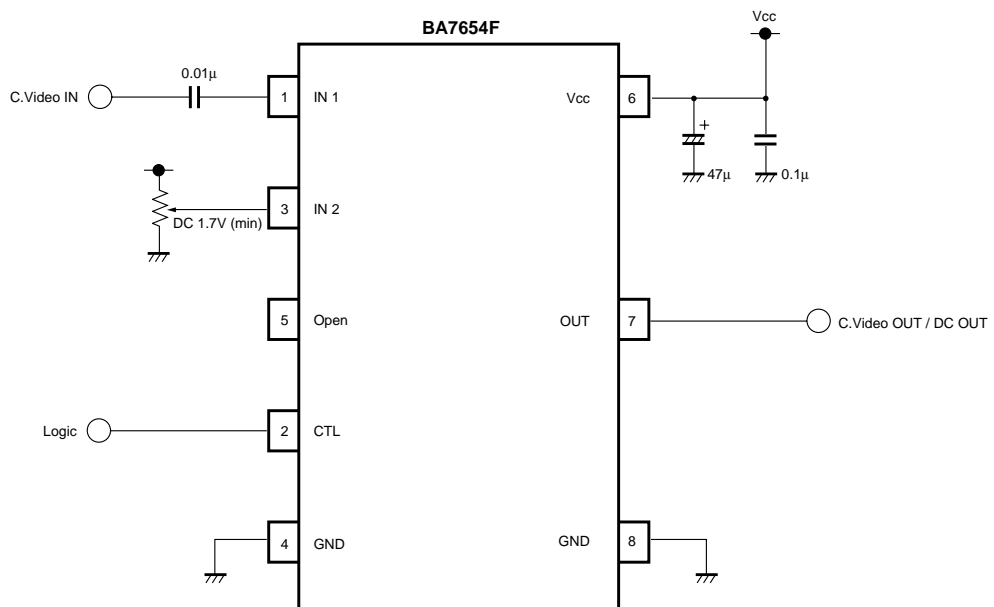


Fig. 3

## Multimedia ICs

---

### ●Operation notes

- (1) To ensure stable clamp operation, the output impedance of the previous stage connected to the inputs should be  $1\text{k}\Omega$  or lower.
- (2) If large input clamp capacitors are used, the time constant of the circuit will mean that some time will be required until stable operation after power is applied. The value for the input clamp capacitors is  $0.1\mu\text{F}$  max. ( $0.01\mu\text{F}$  (FZ) ceramic capacitor recommended).
- (3) If CTL pins are unstable when open. Set them to either H or L.
- (4) When using superimposition, the DC voltage directly applied to the inputs should be at least  $1.7\text{V}$ .

### ●External dimensions (Units : mm)

