

PLEASE CHECK WWW.MOLEX.COM FOR LATEST PART INFORMATION

Part Number: [0855435002](#)
Status: **Active**
Overview: [modular_plugs_jacks](#)
Description: Modular Jack, Right Angle, Fully Shielded, True SMT, BLI 13, Cat5

Documents:

Application Specification (PDF)	Drawing (PDF)
Packaging Specification (PDF)	Product Specification PS-85543-002 (PDF)
3D Model	RoHS Certificate of Compliance (PDF)

General

Product Family	Modular Jacks/Plugs
Series	85543
Component Type	PCB Jack
Magnetic	No
Overview	modular_plugs_jacks
Performance Category	5e
Power over Ethernet (PoE)	N/A
Product Name	RJ45

Physical

Color - Resin	Black
Durability (mating cycles max)	500
Inverted / Top Latch	No
Lightpipes/LEDs	None
Material - Metal	Brass, Phosphor Bronze
Material - Plating Mating	Gold
Material - Plating Termination	Tin
Material - Resin	High Temperature Thermoplastic
Orientation	Right Angle (Side Entry)
PCB Retention	Yes
Packaging Type	Embossed Tape on Reel
Plating min: Mating (µin)	50.8
Plating min: Mating (µm)	1.27
Plating min: Termination (µin)	76
Plating min: Termination (µm)	1.9
Ports	1
Positions / Loaded Contacts	8/8
Temperature Range - Operating	-40°C to +80°C
Termination Interface: Style	Surface Mount
Wire/Cable Type	N/A

Electrical

Current - Maximum per Contact	1.5A
Shielded	Yes
Voltage - Maximum	125V AC

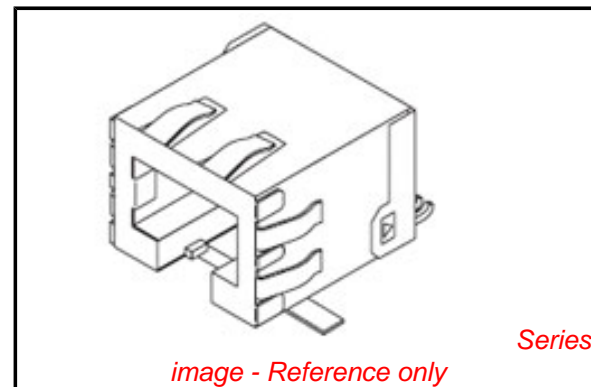
Solder Process Data

Duration at Max. Process Temperature (seconds)	45
Lead-free Process Capability	Reflow Capable (SMT only)
Max. Cycles at Max. Process Temperature	3
Process Temperature max. C	260

Material Info

Reference - Drawing Numbers

Packaging Specification	PK-95122-002
-------------------------	--------------



EU RoHS

**ELV and RoHS
Compliant**
**REACH SVHC
Contains SVHC: No**
**Halogen-Free
Status**

China RoHS



**Need more information on product
environmental compliance?**

Email productcompliance@molex.com
 For a multiple part number RoHS Certificate of
 Compliance, [click here](#)

Please visit the [Contact Us](#) section for any
 non-product compliance questions.

Search Parts in this Series

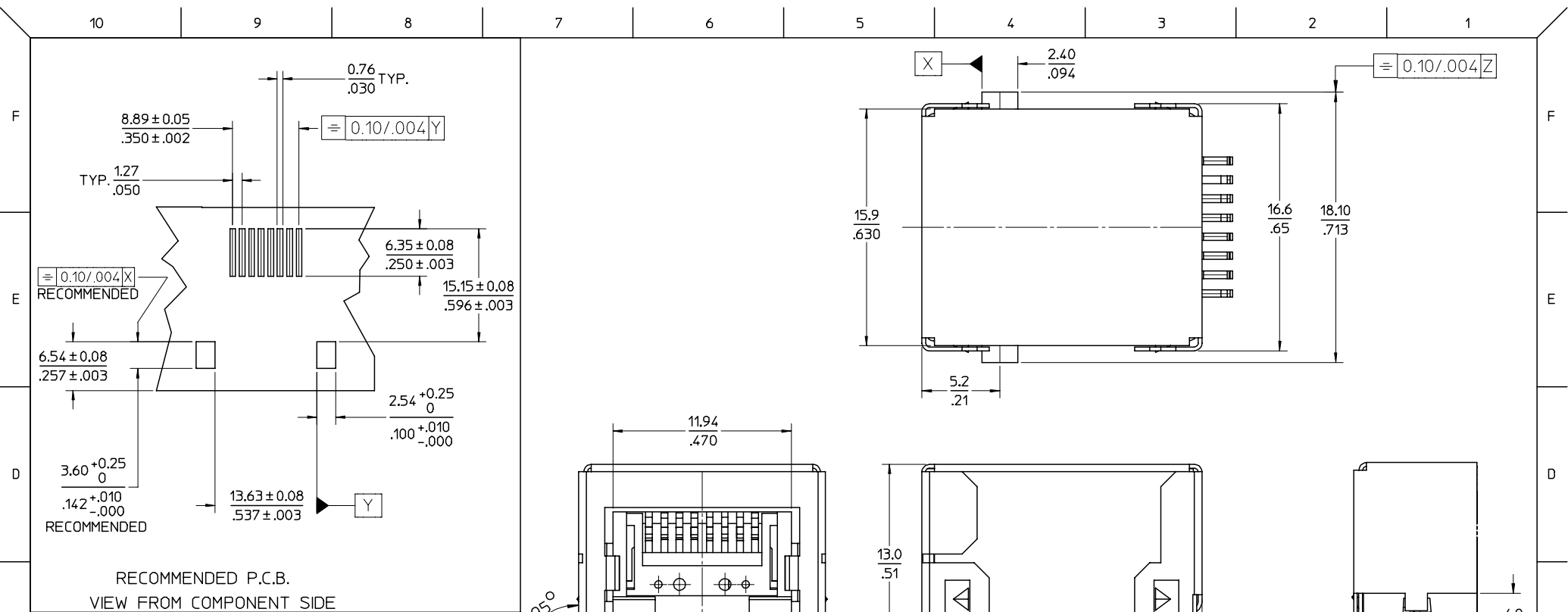
[85543Series](#)

Mates With

FCC 68 Plugs

This document was generated on 06/08/2010

PLEASE CHECK WWW.MOLEX.COM FOR LATEST PART INFORMATION

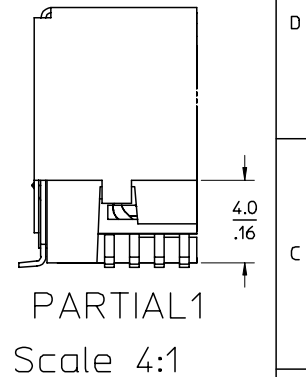
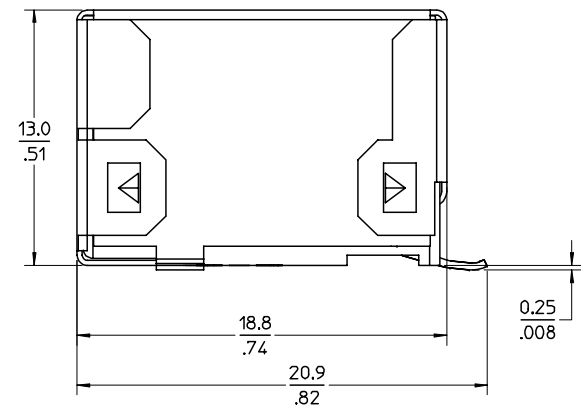
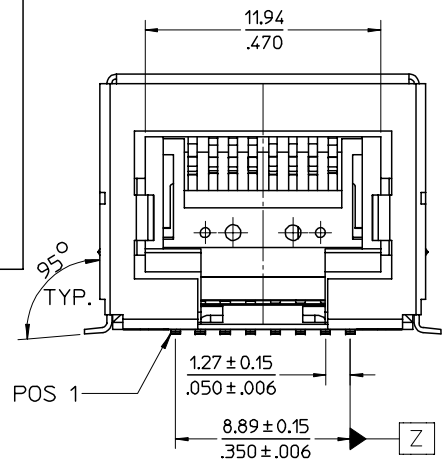


RECOMMENDED P.C.B.
VIEW FROM COMPONENT SIDE

- NOTES:
- 1- JACK FOR MATING WITH SHIELDED PLUG (MOLEX 95043 AND 85668 SERIES)
 - 2- PRODUCT SPECIFICATION: PS-85543-002
 - 3- PACKAGING SPECIFICATION: PK-95122-002 (BLISTER ON REEL)
 - 4- COPLANARITY OF SIGNAL LEADS: 0.10 MAX

TECHNICAL SPECIFICATIONS:

MATERIAL:
 HOUSING: LCP GLASS FILLED UL 94V0, COLOUR BLACK.
 TERMINAL: PHOSPHOR BRONZE PLATED WITH:
 0.00127/.000050 MIN GOLD IN CONTACT AREA,
 0.00190/.000075 MIN PURE TIN IN TAIL AREA, BOTH OVER 0.00127/.000050 MIN NICKEL OVERALL.
 SHIELD: BRASS PLATED WITH 0.0020/.000078 MIN TIN.



ORIGINAL EC NO: E2007-0299 DRWN: DBYRNES CHKD: APPR: EOMAHONY	DESCRIPTION 2006/10/16 2006/10/16 2006/10/17	QUALITY SYMBOLS	GENERAL TOLERANCES (UNLESS SPECIFIED)	DIMENSION STYLE	SCALE	DESIGN UNITS	THIRD ANGLE PROJECTION
		$\nabla=0$ $\sphericalangle=0$	mm INCH 4 PLACES ± --- ± --- 3 PLACES ± --- ± .010 2 PLACES ± 0.25 ± .014 1 PLACE ± 0.35 ± --- ANGULAR ± 2 °	MM/IN	4:1	METRIC	FULLY SHIELDED TRUE SMT R/A HIGH SPEED MOD JACK 8 CCT
		DRAWN BY CHECKED BY APPROVED BY	DATE DATE DATE	DATE DATE DATE	TITLE MOLEX INCORPORATED		
		DRAFT WHERE APPLICABLE MUST REMAIN WITHIN DIMENSIONS	MATERIAL NO. 85543-5002	DOCUMENT NO. SD-85543-502	SHEET NO. 1 OF 1		