

**PLEASE CHECK WWW.MOLEX.COM FOR LATEST PART INFORMATION**

**Part Number:** [0440500007](#)  
**Status:** **Active**  
**Overview:** [modular\\_plugs\\_jacks](#)  
**Description:** Modular Jack, Right Angle, Low Profile, 8/8

**Documents:**

[3D Model](#) [Product Specification PS-44050-003 \(PDF\)](#)  
[Drawing \(PDF\)](#) [RoHS Certificate of Compliance \(PDF\)](#)

**Agency Certification**

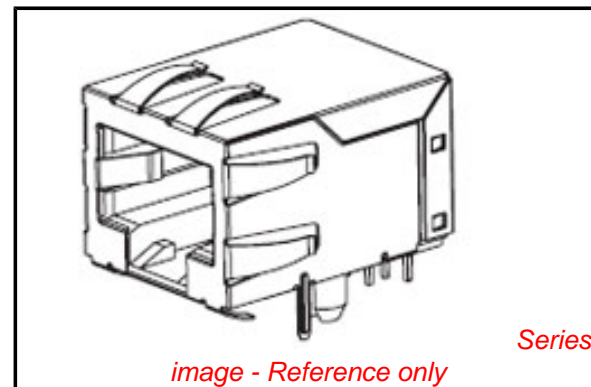
CSA LR19980  
 UL E107635

**General**

Product Family Modular Jacks/Plugs  
 Series [44050](#)  
 Component Type PCB Jack  
 Magnetic No  
 Overview [modular\\_plugs\\_jacks](#)  
 Performance Category 5  
 Power over Ethernet (PoE) N/A  
 Product Name RJ45

**Physical**

Boot Color N/A  
 Color - Resin Black  
 Durability (mating cycles max) 500  
 Flammability 94V-0  
 Inverted / Top Latch No  
 Lightpipes/LEDs None  
 Material - Metal Brass, Phosphor Bronze  
 Material - Plating Mating Gold  
 Material - Plating Termination Tin  
 Material - Resin High Temperature Thermoplastic  
 Orientation Right Angle (Side Entry)  
 PCB Locator Yes  
 PCB Retention Yes  
 PCB Thickness Recommended (in) 0.062 In  
 PCB Thickness Recommended (mm) 1.57 mm  
 Packaging Type Tray  
 Pitch - Mating Interface (in) 0.040 In  
 Pitch - Mating Interface (mm) 1.02 mm  
 Pitch - Term. Interface (in) 0.050 In  
 Pitch - Term. Interface (mm) 1.27 mm  
 Plating min: Mating (µin) 50  
 Plating min: Mating (µm) 1.25  
 Plating min: Termination (µin) 100  
 Plating min: Termination (µm) 2.5  
 Ports 1  
 Positions / Loaded Contacts 8/8  
 Surface Mount Compatible (SMC) Yes  
 Temperature Range - Operating -40°C to +85°C  
 Termination Interface: Style Through Hole  
 Waterproof / Dustproof No  
 Wire/Cable Type N/A



**EU RoHS**

**ELV and RoHS  
 Compliant**  
**REACH SVHC  
 Contains SVHC: No**  
**Halogen-Free  
 Status**

**China RoHS**



**Not Halogen-Free**

**Need more information on product  
 environmental compliance?**

Email [productcompliance@molex.com](mailto:productcompliance@molex.com)  
 For a multiple part number RoHS Certificate of  
 Compliance, [click here](#)

Please visit the [Contact Us](#) section for any  
 non-product compliance questions.

**Search Parts in this Series**

[44050Series](#)

**Mates With**

FCC 68 Plugs

**Electrical**

|                               |  |
|-------------------------------|--|
| Current - Maximum per Contact | 1.5A                                     |
| Grounding to Panel            | Location E, With All Panel Grounding Tab |
| Shielded                      | Yes                                      |
| Voltage - Maximum             | 150V AC (RMS)                            |

**Solder Process Data**

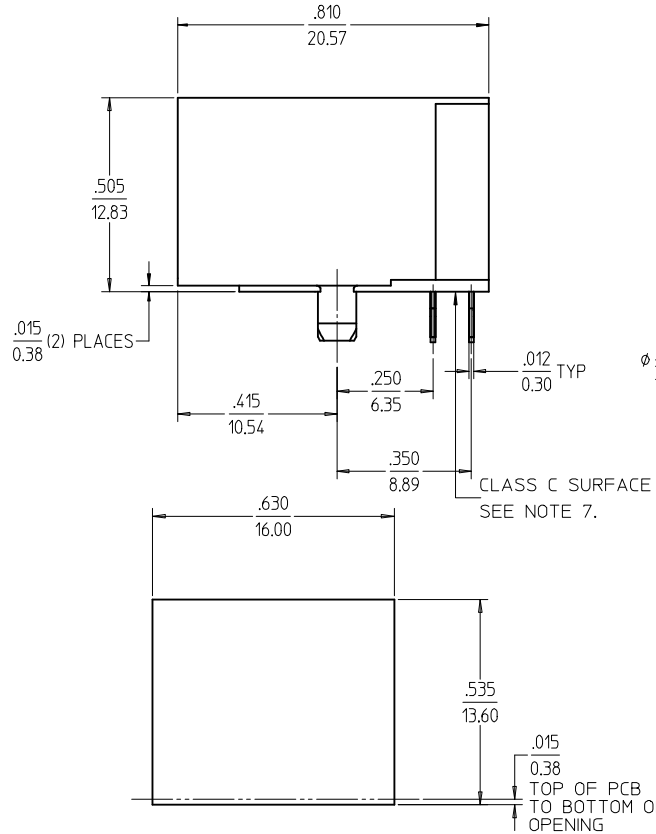
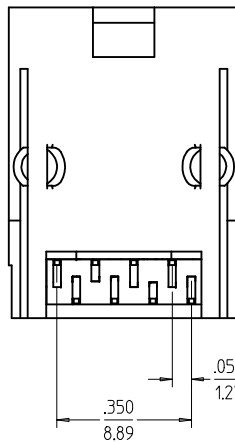
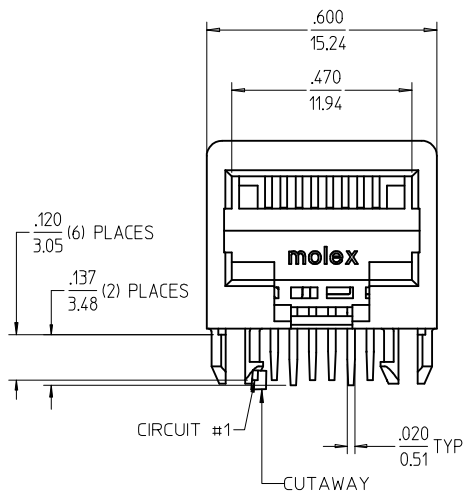
|  |                        |
|--|------------------------|
| Duration at Max. Process Temperature (seconds) | 5                      |
| Lead-free Process Capability                   | Wave Capable (TH only) |
| Max. Cycles at Max. Process Temperature        | 1                      |
| Process Temperature max. C                     | 260                    |

**Material Info****Reference - Drawing Numbers**

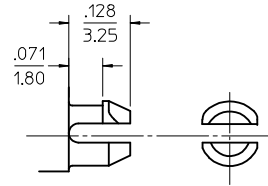
|                         |              |
|-------------------------|--------------|
| Packaging Specification | PK-44050-004 |
| Product Specification   | PS-44050-003 |
| Sales Drawing           | SD-44050-002 |
| Test Summary            | TS-44050-001 |

This document was generated on 06/07/2010

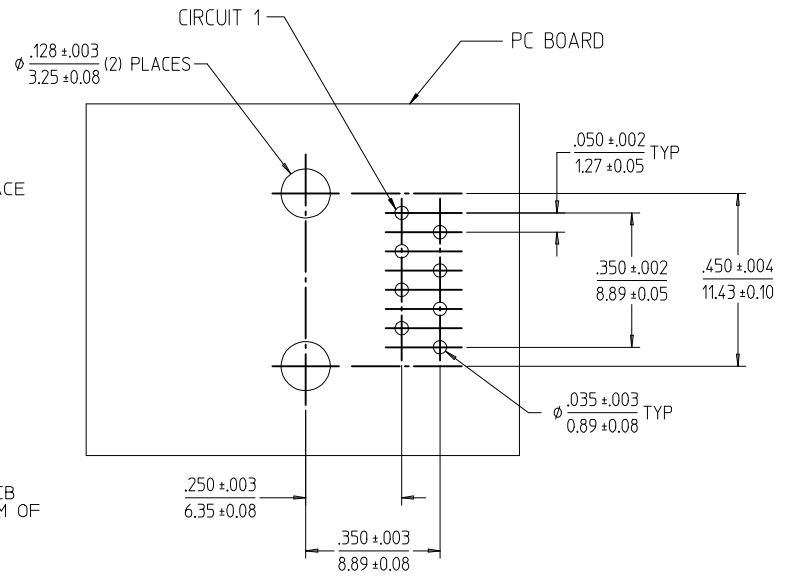
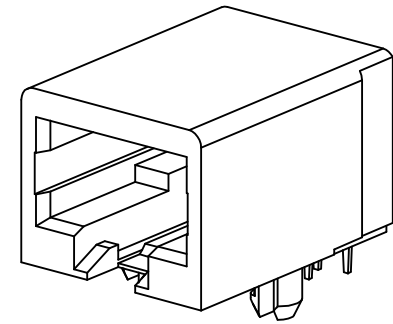
**PLEASE CHECK [WWW.MOLEX.COM](http://WWW.MOLEX.COM) FOR LATEST PART INFORMATION**



RECOMMENDED PANEL  
OPENING



SNAP-FIT PEG  
SCALE: NTS



PCB LAYOUT: COMPONENT SIDE  
RECOMMENDED PCB THICKNESS: .062/1.57

NOTES:

- 1) MATERIAL:  
HOUSING: NYLON(PA), GLASS FILLED, UL94V-0. COLOR: BLACK  
TERMINALS: PHOSPHOR BRONZE
- 2) FINISH:  
TERMINALS:  
SELECT GOLD IN CONTACT AREA: 50 MICROINCHES / 1.27 MICROMETERS MIN.  
SELECT MATTE TIN IN PC TAIL AREA: 100 MICROINCHES / 2.54 MICROMETERS MIN.  
WITH OVERALL NICKEL UNDERPLATE: 50 MICROINCHES / 1.27 MICROMETERS MIN.
- 3) PRODUCT SPECIFICATION AND PROCESSING PARAMETERS: PS-44050-003.
- 4) PACKAGING SPECIFICATION:  
CONNECTOR ASSEMBLIES IN THERMOFORMED TRAYS PER MOLEX PACKAGING SPECIFICATION PK-44050-004.
- 5) MATES WITH: MODULAR PLUGS THAT CONFORM TO FCC REGULATION PART 68.5.
- 6) TERMINAL LENGTHS MAY BE DIFFERENT FROM TERMINAL TO TERMINAL.
- 7) THIS PART CONFORMS TO CLASS B REQUIREMENTS OF COSMETIC SPECIFICATION PS-45499-002 WITH THE EXCEPTION OF THE SURFACE INDICATED, WHICH IS A CLASS C SURFACE.

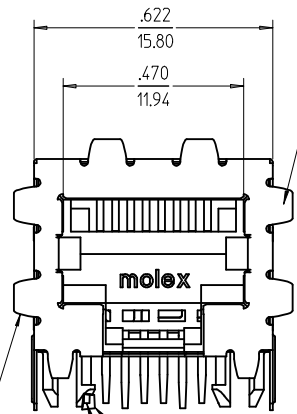
|               |             |
|---------------|-------------|
| MODIFY NOTE 2 | DESCRIPTION |
| REV           | DESCRIPTION |
| E2            |             |

|                 |             |
|-----------------|-------------|
| QUALITY SYMBOLS | DESCRIPTION |
| ▽=0             |             |
| ▽=0             |             |

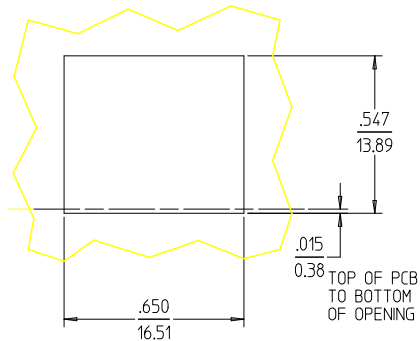
|  |        |
|--|--------|
| GENERAL TOLERANCES (UNLESS SPECIFIED)                |        |
| mm   | INCH   |
| 4 PLACES ± .010                                      | ± .010 |
| 3 PLACES ± .015                                      | ± .010 |
| 2 PLACES ± 0.25                                      | ± .010 |
| 1 PLACE ± .010                                       | ± .010 |
| ANGULAR ± 1/2°                                       |        |
| DRAFT WHERE APPLICABLE MUST REMAIN WITHIN DIMENSIONS |        |

|                 |          |   |  |              |  |
|-----------------|----------|---|--|--------------|--|
| DIMENSION STYLE |          | SCALE   |  | DESIGN UNITS |  |
| IN/MM           |          | 4:1   |  | INCH         |  |
| DRAWN BY        | DATE     | TITLE   |  |              |  |
| MARANTO         | 98/04/06 | CATEGORY 5E MODULAR JACK ASSEMBLIES, SINGLE PORT  |  |              |  |
| CHECKED BY      | DATE     | MATERIAL NO.  |  |              |  |
| ROBERTS         | 98/04/06 | 440500001   |  |              |  |
| APPROVED BY     | DATE     | DOCUMENT NO.  |  |              |  |
| ROBERTS         | 98/04/06 | SD-44050-002  |  |              |  |
| SHEET NO.       |          | THIS DRAWING CONTAINS INFORMATION THAT IS PROPRIETARY TO MOLEX INCORPORATED AND SHOULD NOT BE USED WITHOUT WRITTEN PERMISSION |  |              |  |
| 1 OF 2          |          |   |  |              |  |

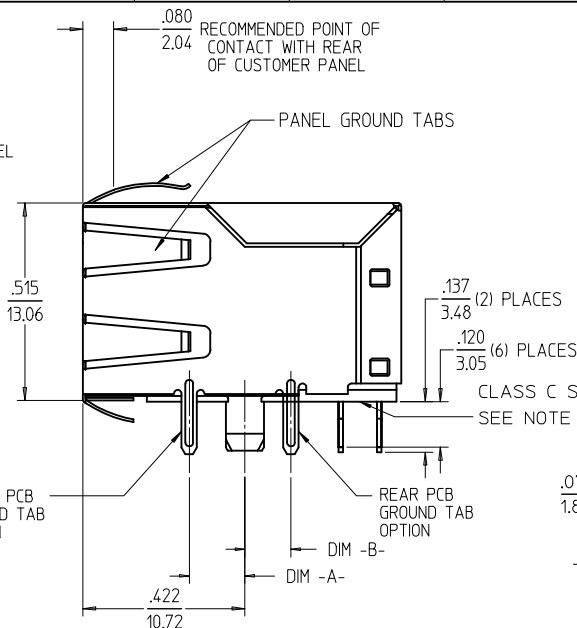
|                        |  |
|------------------------|--|
| THIRD ANGLE PROJECTION |  |
| MOLEX INCORPORATED     |  |



OPTIONAL PANEL GROUND TABS SEE NOTE #6



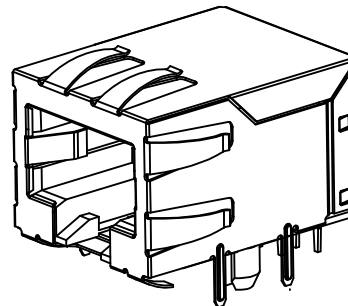
RECOMMENDED PANEL OPENING (SHIELDED VERSIONS)



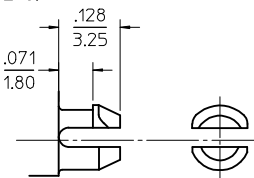
FRONT PCB GROUND TAB OPTION

REAR PCB GROUND TAB OPTION

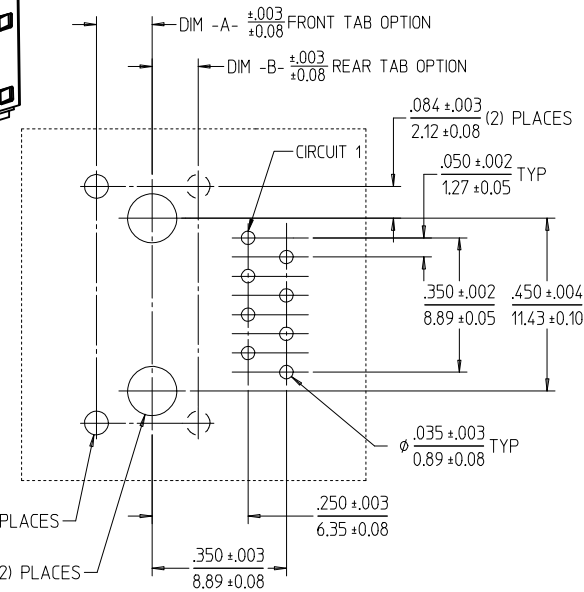
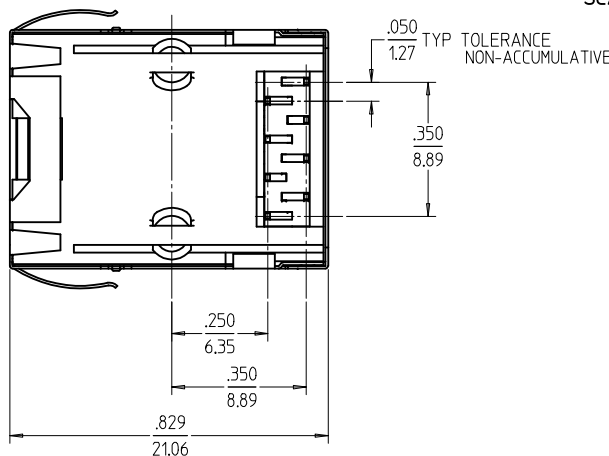
CLASS C SURFACE SEE NOTE 8.



ISOMETRIC VIEW (NOT TO SCALE)



SNAP-FIT PEG SCALE: NTS



PCB LAYOUT: COMPONENT SIDE  
RECOMMENDED PCB THICKNESS: .062/1.57

NOTES:

- MATERIAL:  
HOUSING: NYLON(IPA), GLASS FILLED, UL94V-0, COLOR: BLACK  
TERMINALS: PHOSPHOR BRONZE  
SHIELD: BRASS
- FINISH:  
TERMINALS:  
SELECT GOLD IN CONTACT AREA: 50 MICROINCHES / 1.27 MICROMETERS MIN., \*SELECT TIN IN PC TAIL AREA: 100 MICROINCHES / 2.54 MICROMETERS MIN., WITH OVERALL NICKEL UNDERPLATE: 50 MICROINCHES / 1.27 MICROMETERS MIN.  
SHIELD:  
\*100 MICROINCHES / 2.54 MICROMETERS NICKEL OVER 50 MICROINCHES / 1.27 MICROMETERS COPPER UNDERPLATE, PCB GROUND TABS DIPPED IN TIN  
\*THE PRIMARY SHIPPING CARTON WILL BE LABELED "COMPLIANT TO RoHS DIRECTIVE 2002/95/EC AND ELV ANNEX II OF DIRECTIVE 2000/53/EC". CARTONS WITHOUT THIS LABEL MAY CONTAIN PRODUCT WITH TIN-LEAD IN THE PC TAILS AND/OR SHIELD.
- PRODUCT SPECIFICATION AND PROCESSING PARAMETERS: PS-44050-003.
- PACKAGING SPECIFICATION:  
CONNECTOR ASSEMBLIES IN THERMOFORMED TRAYS PER MOLEX PACKAGING SPECIFICATION PK-44050-004.
- MATES WITH: MODULAR PLUGS THAT CONFORM TO FCC REGULATION PART 68.5.
- AVAILABLE WITH THE (2) SPECIFIED PANEL GROUND TABS OMITTED FOR SIDE TO SIDE STACKABILITY, PER THE ASSEMBLY MATERIAL NUMBER TABLE.
- TERMINAL LENGTHS MAY BE DIFFERENT FROM TERMINAL TO TERMINAL.
- THIS PART CONFORMS TO CLASS B REQUIREMENTS OF COSMETIC SPECIFICATION PS-45499-002 WITH THE EXCEPTION OF THE SURFACE INDICATED, WHICH IS A CLASS C SURFACE.

| ASSEMBLY MATERIAL NUM | DIM -A-   | DIM -B-   | PANEL GROUND TAB OPTION |
|-----------------------|-----------|-----------|-------------------------|
| 440500007             | .120/3.05 | N/A       | ALL                     |
| 440500002             | .145/3.68 | N/A       | ALL                     |
| 440500006             | .180/4.57 | N/A       | ALL                     |
| 440500003             | N/A       | .120/3.05 | ALL                     |
| 440500009             | .120/3.05 | N/A       | SEE NOTE #6             |
| 440500004             | .145/3.68 | N/A       | SEE NOTE #6             |
| 440500008             | .180/4.57 | N/A       | SEE NOTE #6             |
| 440500005             | N/A       | .120/3.05 | SEE NOTE #6             |

SEE SHEET 1  
EC NO: UCP2009-3112  
DRWIN:RAGUILAR 2009/07/06  
CHKD:JBELL 2009/07/06  
APPR:FSMITH 2009/07/07

QUALITY SYMBOLS  
▽=0  
▽=0

DESCRIPTION  
REV: E2

GENERAL TOLERANCES (UNLESS SPECIFIED)

|               | mm    | INCH  |
|---------------|-------|-------|
| 4 PLACES      | ±---  | ±---  |
| 3 PLACES      | ±---  | ±.010 |
| 2 PLACES      | ±0.25 | ±---  |
| 1 PLACE       | ±---  | ±---  |
| ANGULAR ±1/2° |       |       |

DRAFT WHERE APPLICABLE MUST REMAIN WITHIN DIMENSIONS

DIMENSION STYLE  
IN/MM

DRAWN BY: MARANTO DATE: 98/04/06  
CHECKED BY: ROBERTS DATE: 98/04/06  
APPROVED BY: ROBERTS DATE: 98/04/06

MATERIAL NO. SEE CHART  
DOCUMENT NO. SD-44050-002

SCALE: 4:1  
DESIGN UNITS: INCH  
THIRD ANGLE PROJECTION

TITLE: CATEGORY 5E MODULAR JACK ASSEMBLIES, SINGLE PORT

MOLEX INCORPORATED

SHEET NO. 2 OF 2

THIS DRAWING CONTAINS INFORMATION THAT IS PROPRIETARY TO MOLEX INCORPORATED AND SHOULD NOT BE USED WITHOUT WRITTEN PERMISSION