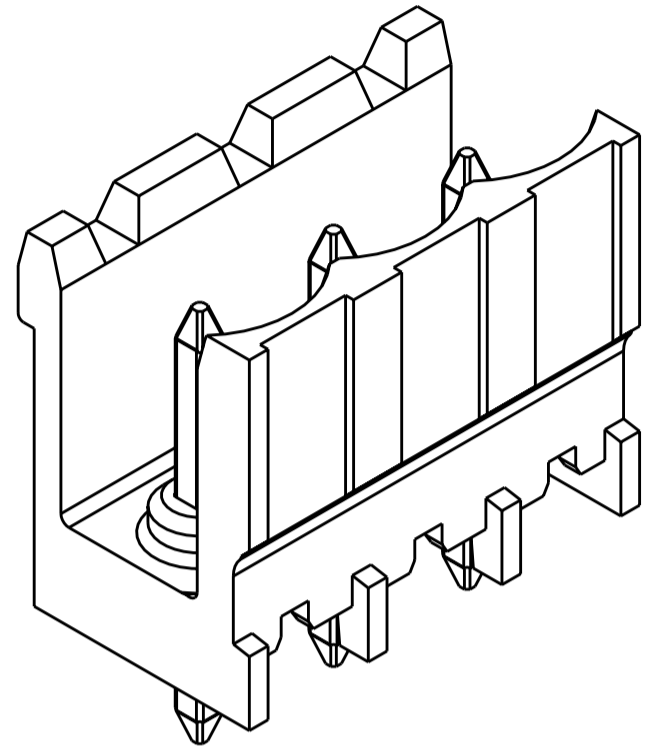
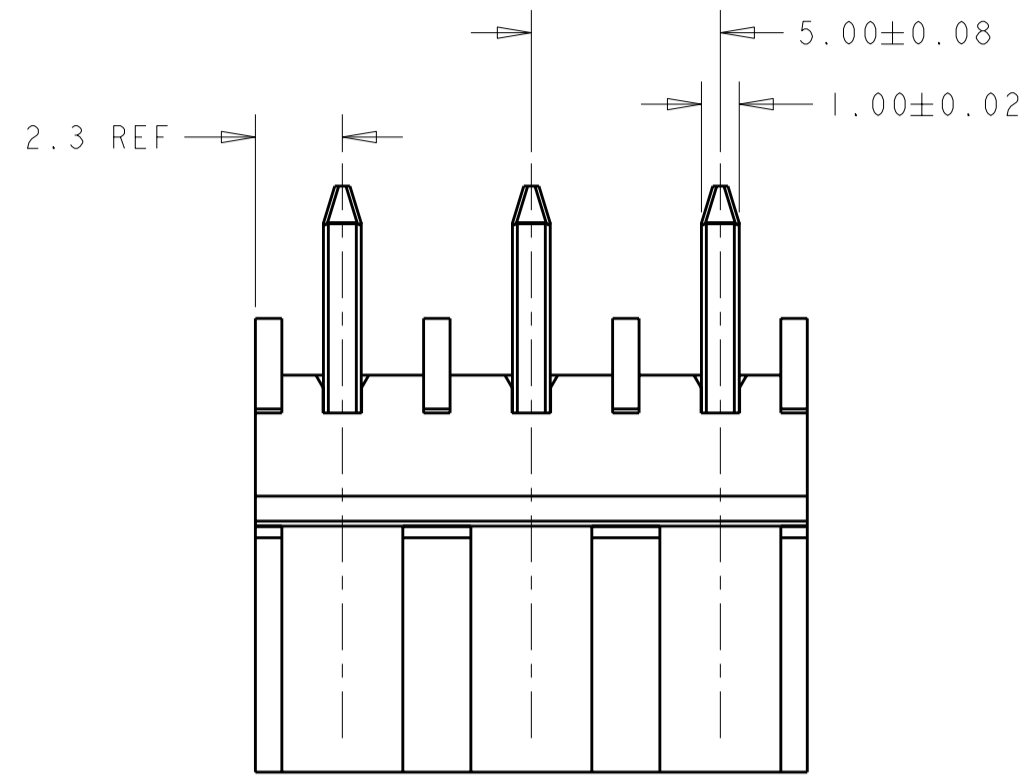


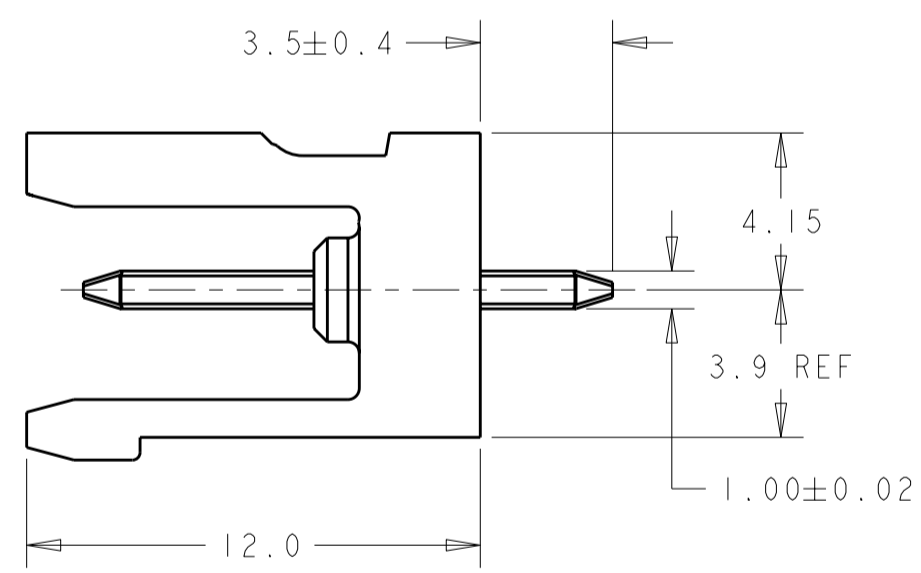
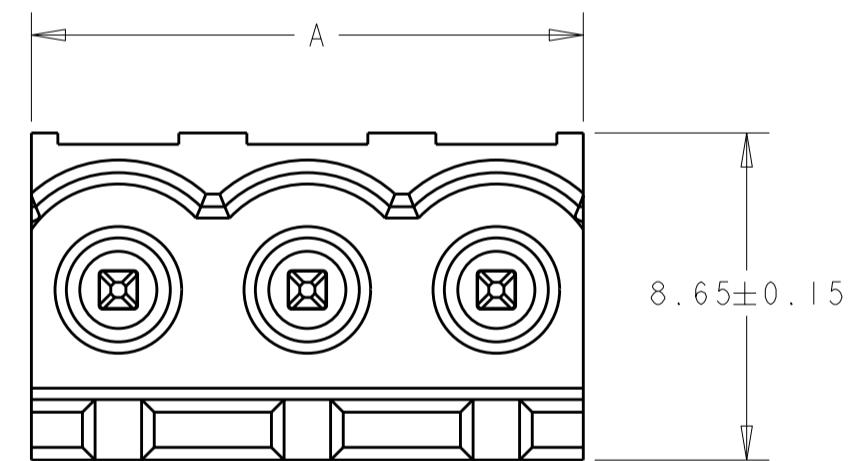
THIS DRAWING IS UNPUBLISHED. RELEASED FOR PUBLICATION 20  
 © COPYRIGHT 20 BY TYCO ELECTRONICS CORPORATION. ALL RIGHTS RESERVED.

LOC	DIST	REVISIONS			
P	LTR	DESCRIPTION	DATE	DWN	APVD
	O	RELEASED EC 063B-0612-04	03JUN2005	SW	CR
	A	REVISED PER ECO-07-005868	22MAR2007	SS	CR
	AI	REVISED PER ECO-07-013772	11JUN2007	SS	CR

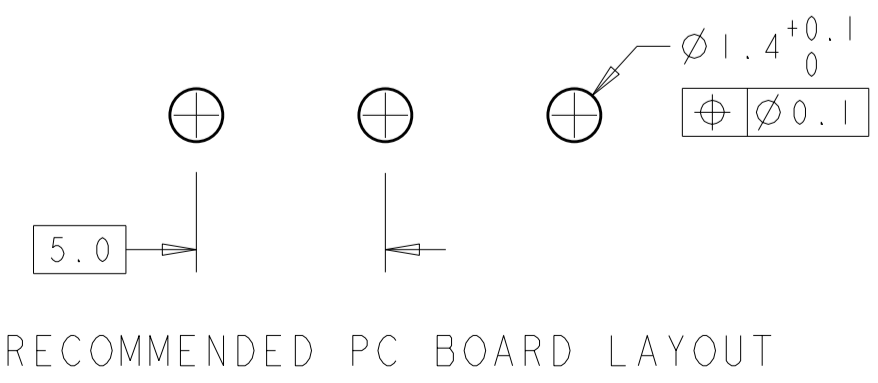


1776138-3 AS SHOWN

- 1. MATERIALS AND FINISH  
 HOUSING: HIGH TEMPERATURE POLYAMIDE, UL 94V-0 RATED,  
 COLOR: BLACK.  
 TERMINAL: PHOSPHOR BRONZE, TIN PLATED.
- 2. SUITABLE FOR 1,6-2,4mm PC BOARD THICKNESS.
- 3. END-TO-END STACKABLE WITHOUT LOSS OF CENTERLINE SPACING.
- 4. RECOGNIZED UNDER THE COMPONENT PROGRAM OF UNDERWRITERS LABORATORIES INC., FILE N° E60677.
- 5. IMQ CERTIFICATE WITH SURVEILLANCE IN CONFORMITY WITH IEC 998-1/998-2-1.
- 6. UL RATING: 300V, 15A.



59.6	12	1-1776138-2
54.6	11	1-1776138-1
49.6	10	1-1776138-0
44.6	9	1776138-9
39.6	8	1776138-8
34.6	7	1776138-7
29.6	6	1776138-6
24.6	5	1776138-5
19.6	4	1776138-4
14.6	3	1776138-3
9.6	2	1776138-2
A	NO OF POSN	PART NUMBER



THIS DRAWING IS A CONTROLLED DOCUMENT FOR TYCO ELECTRONICS CORPORATION. IT IS SUBJECT TO CHANGE AND THE CONTROLLING ENGINEERING ORGANIZATION SHOULD BE CONTACTED FOR THE LATEST REVISION.		DWN S. WELDON 03JUN2005	Tyco Electronics Harrisburg, PA 17105-3608	
DIMENSIONS: mm		CHK C. RICHARD 03JUN2005	NAME TERMINAL BLOCK HEADER ASSEMBLY 180 DEGREE, OPEN ENDS, STACKING 5.00mm PITCH	
TOLERANCES UNLESS OTHERWISE SPECIFIED: 0 PLC ±. 1 PLC ±.2 2 PLC ±.25 3 PLC ±. 4 PLC ±. ANGLES ±2 FINISH		APVD C. RICHARD 03JUN2005	RESTRICTED TO	
MATERIAL		PRODUCT SPEC 108-20166	SIZE A2	CAGE CODE 00779
DRAWING NO 114-20079		WEIGHT -	DRAWING NO 1776138	REV AI
CUSTOMER DRAWING		SCALE 5:1	SHEET 1	OF 1