

**PLEASE CHECK WWW.MOLEX.COM FOR LATEST PART INFORMATION**

**Part Number:** [0194290005](#)  
**Status:** **Active**  
**Overview:** [mx150l sealed connector system](#)  
**Description:** MX150L™ 2 Circuit Panel Mount Plug for 14 to 22 AWG Wire, Rear Mount Flange Assembly, without Gasket

**Documents:**

[3D Model](#) [Product Specification PS-19417-001 \(PDF\)](#)  
[Drawing \(PDF\)](#) [RoHS Certificate of Compliance \(PDF\)](#)

**Agency Certification**

UL E152602

**General**

Product Family Crimp Housings  
 Series [19429](#)  
 Comments For Inside Panel Mount Application  
 Overview [mx150l sealed connector system](#)  
 Product Literature Order No 987650-2181  
 Product Name MX150L™

**Physical**

Circuits (maximum) 2  
 Flammability 94V-0  
 Gender Male  
 Glow-Wire Compliant No  
 Lock to Mating Part Yes  
 Number of Rows 1  
 Packaging Type Bag  
 Panel Mount Yes  
 Pitch - Mating Interface (in) 0.230 In  
 Pitch - Mating Interface (mm) 5.84 mm  
 Polarized to Mating Part Yes  
 Stackable No  
 Temperature Range - Operating -40°C to +125°C

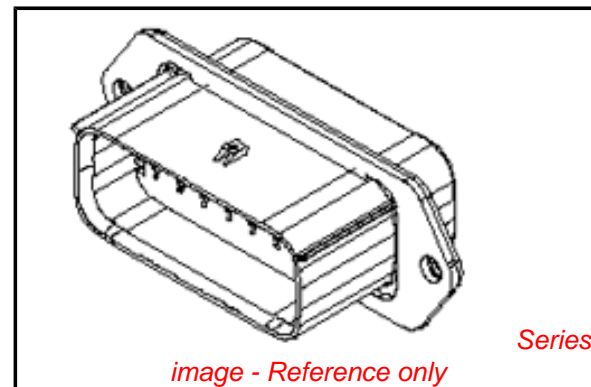
**Electrical**

Current - Maximum per Contact 18A

**Material Info**

**Reference - Drawing Numbers**

Packaging Specification PK-19429-001  
 Product Specification PS-19417-001  
 Sales Drawing SD-19429-001



**EU RoHS**

**ELV and RoHS  
Compliant**  
**REACH SVHC**  
 Not Reviewed  
**Halogen-Free  
Status**  
**Not Reviewed**

**China RoHS**



**Need more information on product  
environmental compliance?**

Email [productcompliance@molex.com](mailto:productcompliance@molex.com)  
 For a multiple part number RoHS Certificate of Compliance, [click here](#)

Please visit the [Contact Us](#) section for any non-product compliance questions.

**Search Parts in this Series**

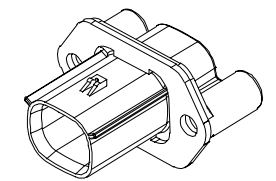
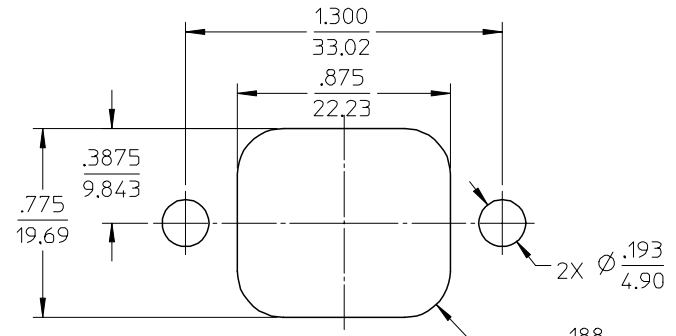
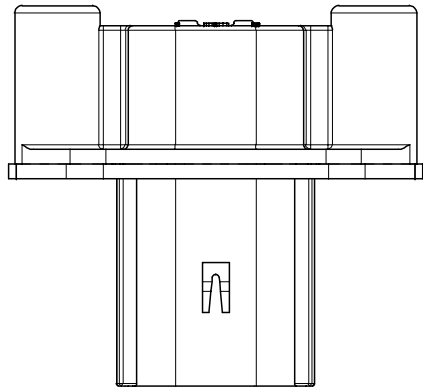
[19429Series](#)

**Mates With**

[19418 Receptacle Assemblies](#)

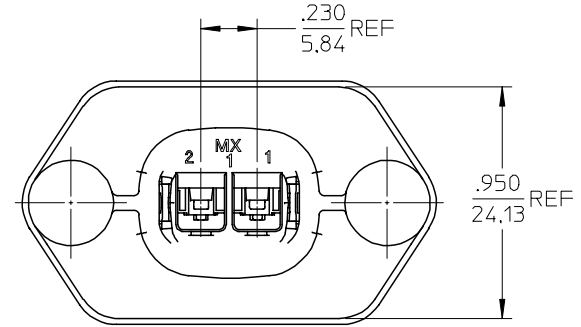
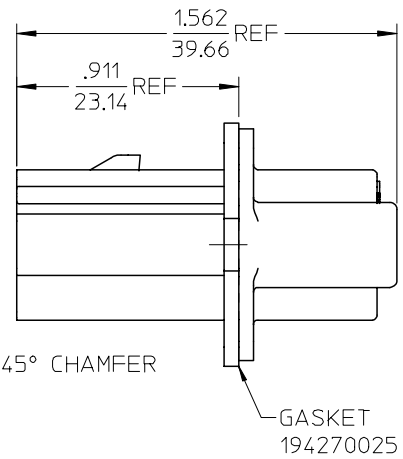
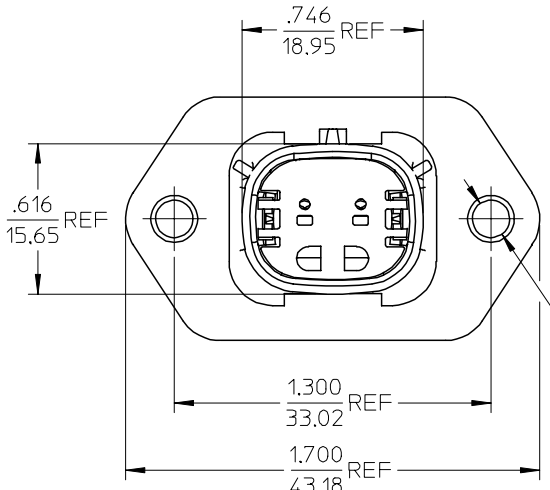
**Use With**

[19417 Male Crimp Terminals](#)



SCALE 1:1

RECOMMENDED PANEL MOUNT OPENING  
MAX PANEL THK .080/2.03



- NOTES:
1. ASSEMBLY BULK PACKAGED PER PK-19429-001.
  2. USE CONNECTOR WITH MALE CRIMP TERMINAL: SERIES 19417.
  3. RECOMMENDED MOUNTING HARDWARE: (2)#10 X .62/18.9 LONG PLASTIC THREAD CUTTING SCREWS. SUGGESTED SOURCE: ITW SHAKEPROOF INDUSTRIAL BOSSCREW OR EQUIVALENT. RECOMMENDED TORQUE: 15-17 IN-LBS.

EC NO: ETC2005-0118	DRWN:BRUPERT 2005/01/20	CHKD:JPALWICK 2005/01/20	APPR:RDEROSS 2005/01/20
DESCRIPTION	QUALITY SYMBOLS		
REV	DESCRIPTION	SYMBOL	VALUE
A		▽	= 0
		∇	= 0

GENERAL TOLERANCES (UNLESS SPECIFIED)	
	mm
4 PLACES	± .005
3 PLACES	± .015
2 PLACES	± 0.38
1 PLACE	± .005
ANGULAR ± 1 °	
DRAFT WHERE APPLICABLE	
MUST REMAIN WITHIN DIMENSIONS	

SCALE	2:1
DESIGN UNITS	INCH
DIMENSION STYLE	
IN/MM	
DRAWN BY	DATE
DMYRICK	03/10/30
CHECKED BY	DATE
JPALWICK	03/10/30
APPROVED BY	DATE
RDEROSS	03/10/30

194290033	YES
194290005	NO
MATERIAL NUMBER	GASKET
THIRD ANGLE PROJECTION	REVISE ON CAD ONLY
TITLE	
2 WAY PLUG PANEL MOUNT ASSEMBLY 22-14 AWG	
MOLEX INCORPORATED	
MATERIAL NO.	DOCUMENT NO.
SEE CHART	SD-19429-001
SHEET NO.	1 OF 1
THIS DRAWING CONTAINS INFORMATION THAT IS PROPRIETARY TO MOLEX INCORPORATED AND SHOULD NOT BE USED WITHOUT WRITTEN PERMISSION	