

DESCRIPTION

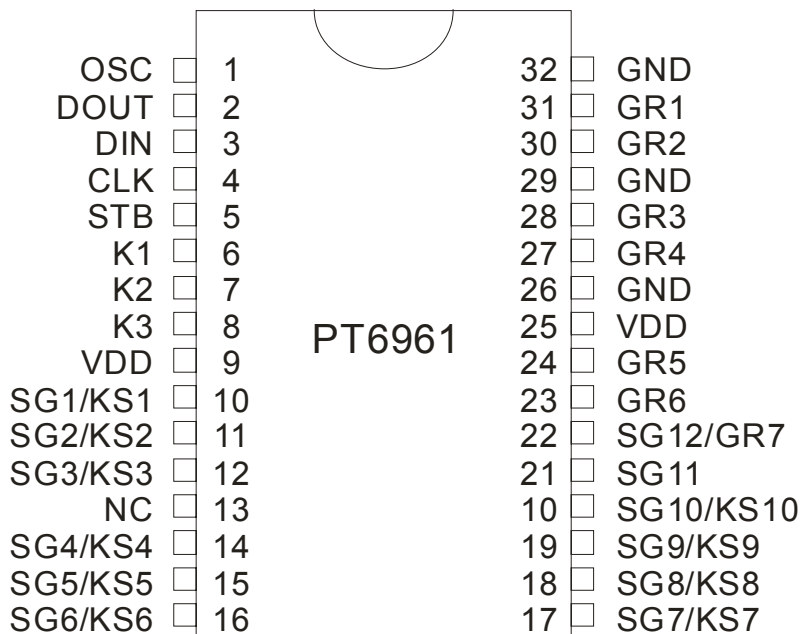
PT6961 is an LED Controller driven on a 1/7 to 1/8 duty factor. Eleven segment output lines, six grid output lines, 1 segment/grid output lines, one display memory, control circuit, key scan circuit are all incorporated into a single chip to build a highly reliable peripheral device for a single chip microcomputer. Serial data is fed to PT6961 via a four-line serial interface. Housed in a 32-pin SO Package, PT6961 pin assignments and application circuit are optimized for easy PCB Layout and cost saving advantages.

FEATURES

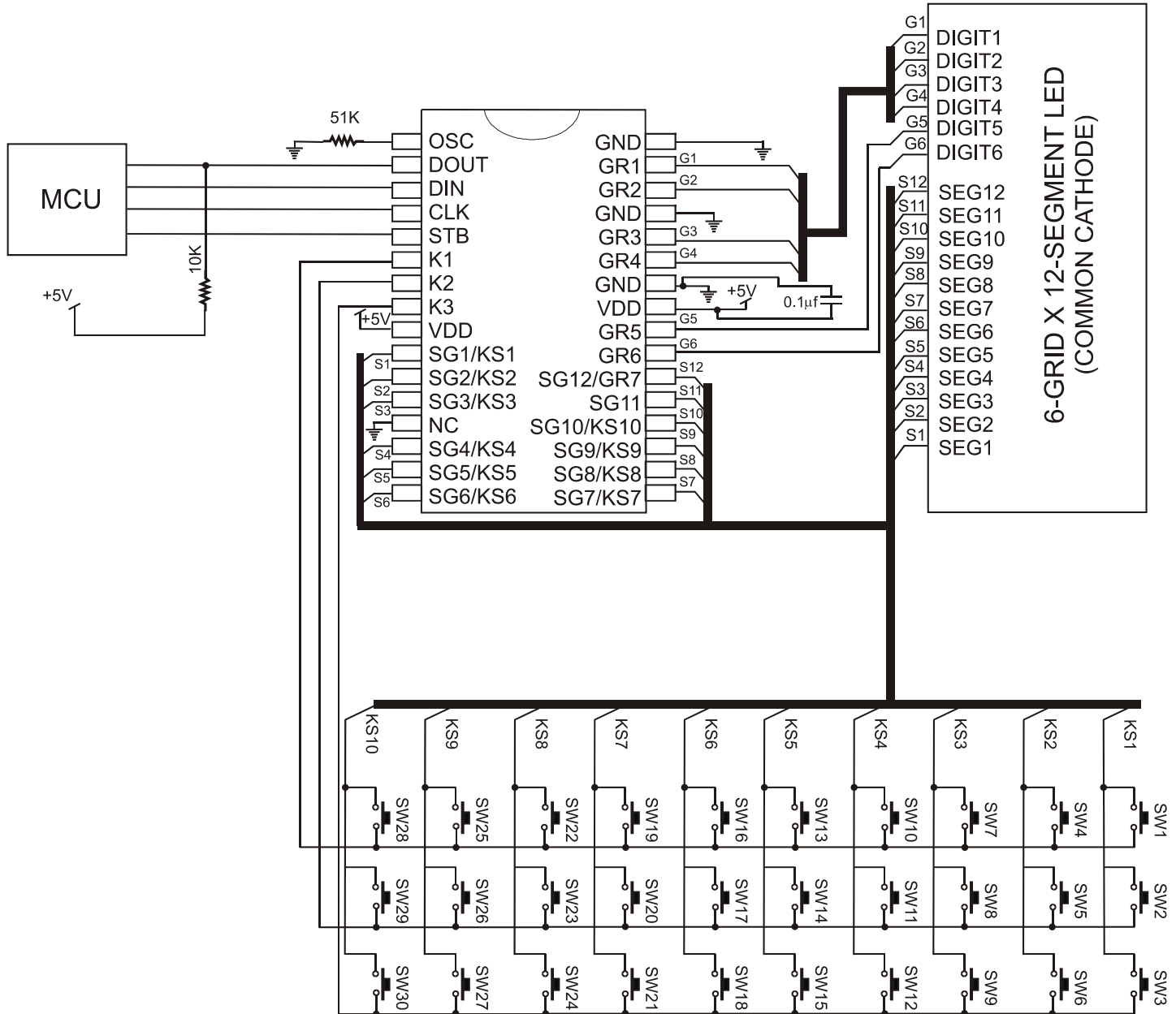
- CMOS Technology
- Low Power Consumption
- Multiple Display Modes (12 segment, 6 Grid to 11 segment, 7 Grid)
- Key Scanning (10 x 3 Matrix)
- 8-Step Dimming Circuitry
- Serial Interface for Clock, Data Input, Data Output, Strobe Pins
- Available in 32-pin, SO Package

APPLICATIONS

- Micro-computer Peripheral Device
- VCR set
- Combo set

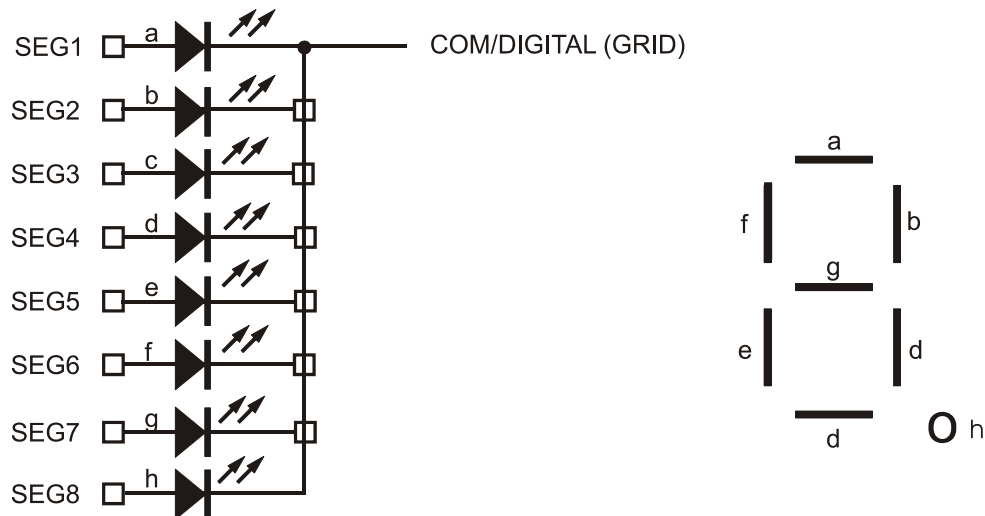
LED Driver IC**PT6961****PIN DESCRIPTION**

APPLICATION CIRCUIT



Note:

1. The capacitor (0.1µF) connected between the GND and the VDD pins must be located as close as possible to the PT6961 chip.
2. It is strongly suggested that the NC pin (pins 13) be connected to the GND.
3. The PT6961 power supply is separate from the application system power supply.

LED Driver IC**PT6961****COMMON CATHODE TYPE LED PANEL****ORDER INFORMATION**

Valid Part Number	Package Type	Top Code
PT6961	32pins, SO Package, 300mil	PT6961
PT6961 (L)	32pins, SO Package, 300mil	PT6961

Notes:

1. (L) = Lead Free
2. The Lead Free mark is put in front of the date code.