

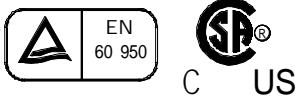


MM-0637A-50

Operating Voltage = 48 Vdc
 Operating Current = 50 Amperes
 Operating Temperature Range = -40 to 50 C
 Dielectric Withstanding Voltage
 Line to Line: 707 Vdc for 1 minute
 Line to Case: 2250 Vdc for 1.0 min

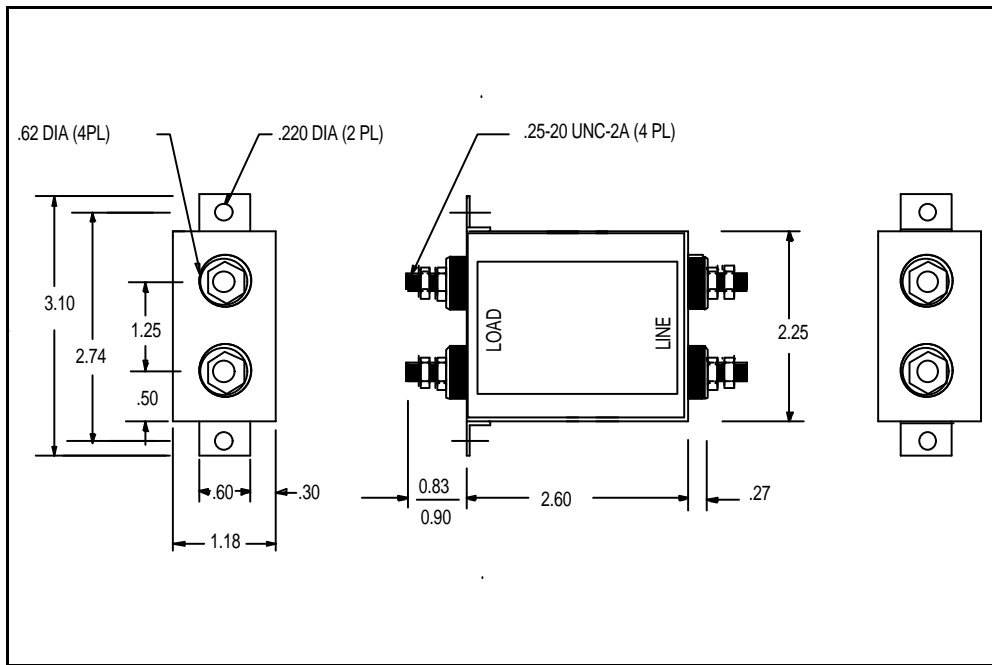
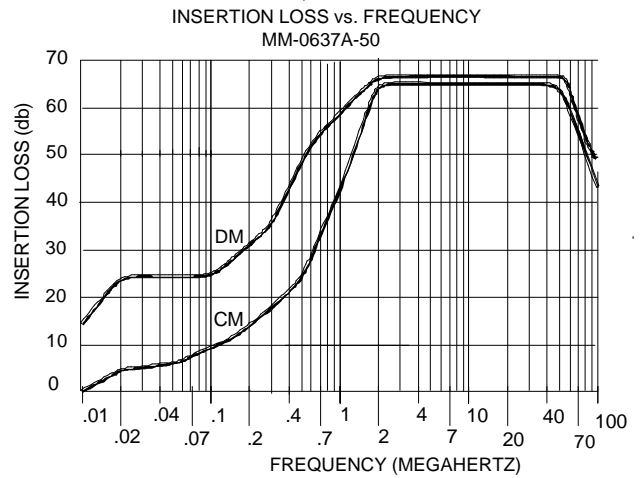
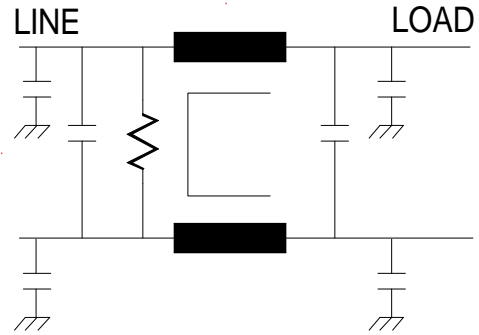
Order P/N: MM-0637A-50

Safety Agency Approvals



This compact filter is intended to provide noise reduction for telecommunications DC power. The filter is non-polarized and the insertion loss is specified at full load.

If modifications are needed to suppress transients, or if more severe temperature operating parameters are required, call or e-mail our Engineering Dept. They will be more than happy to assist you.



USA JMK Inc 15 Caldwell Dr. Amherst, NH 03031 PH: 603 886-4100 FX: 603 886-4115
 email: info@jmkfilters.com
 EUR JMK Inc Glasgow G13 1DN Scotland UK PH: 44-(0) 7785310729 FX: 44-(0) 141 589 1884