

VOLTAGE DETECTOR

■ GENERAL DESCRIPTION

The NJU7706/07 is a high precision voltage detector with a built-in delay time generator of fixed time.

The detection voltage is fixed internally with an accuracy of 1.0%, and three delay times 50ms, 100ms and 200ms are available.

NJU7706 is Nch. Open Drain and NJU7707 of output form is a C-MOS output.

■ PACKAGE OUTLINE

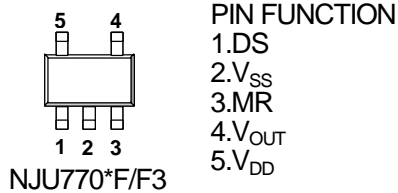


NJU7706/07F

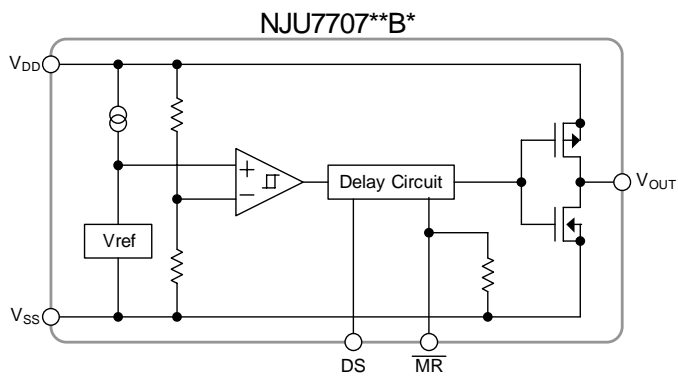
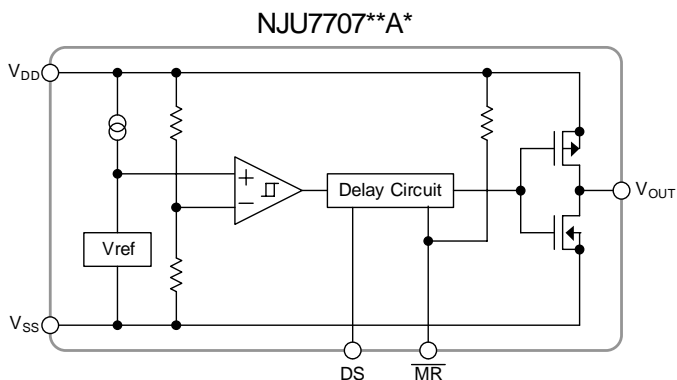
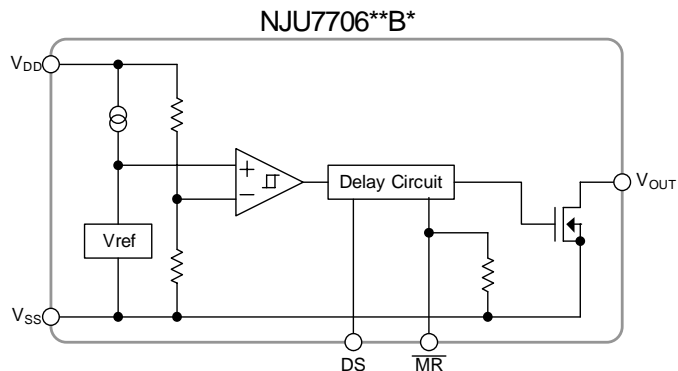
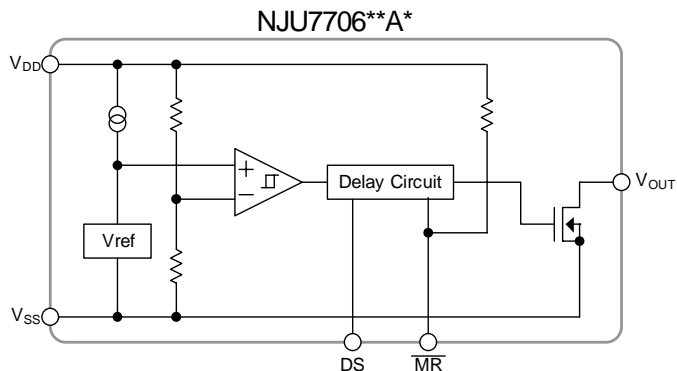
■ FEATURES

- | | |
|--|--|
| ● High Precision Detection Voltage | ±1.0% |
| ● Low Quiescent Current | 1.8μA typ. |
| ● Detection Voltage Range | 1.5 ~ 6.0V(0.1V step) |
| ● Delay Time(Built-in Fixed Type) | 50ms /100ms /200ms(Built-in Fixed Type) |
| ● ON/OFF switch of delay time (DS pin) | |
| ● Manual Reset | 2type: Active "H" / Active "L" |
| ● Output Circuit Form | NJU7706: Nch. Open Drain type
NJU7707: C-MOS Output |
| ● Package Outline | SOT-23-5 (MTP5) |

■ PIN CONFIGURATION



■ EQUIVALENT CIRCUIT



■ DETECTION VOLTAGE RANK LIST

Device Name	V_{DET}	MR Logic	Delay Time
NJU7706/07F39A1	3.9V	Active "L"	50mS
NJU7706/07F42A1	4.2V	Active "L"	50mS

Device Name	V_{DET}	MR Logic	Delay Time
NJU7706/07F15A1	1.5V	Active "L"	100mS
NJU7706/07F22A1	2.2V	Active "L"	100mS
NJU7706/07F27A1	2.7V	Active "L"	100mS
NJU7706/07F29A1	2.9V	Active "L"	100mS
NJU7706/07F42A1	4.2V	Active "L"	100mS
NJU7706/07F06A1	6.0V	Active "L"	100mS

Device Name	V_{DET}	MR Logic	Delay Time
NJU7706/07F27B1	2.7V	Active "H"	100mS

Device Name	V_{DET}	MR Logic	Delay Time
NJU7706/07F39A1	3.9V	Active "L"	200mS
NJU7706/07F42A1	4.2V	Active "L"	200mS

■ NJU7706

■ ABSOLUTE MAXIMUM RATINGS

(Ta=25°C)

PARAMETER	SYMBOL	RATINGS	UNIT
Input Voltage	V _{DD}	+10	V
Output Voltage	V _{OUT}	V _{SS} -0.3 ~ +10	V
Output Current	I _{OUT}	50	mA
Power Dissipation	P _D	200	mW
Operating Temperature	Topr	-40 ~ +85	°C
Storage Temperature	Tstg	-40 ~ +125	°C

■ ELECTRICAL CHARACTERISTICS

(Ta=25°C)

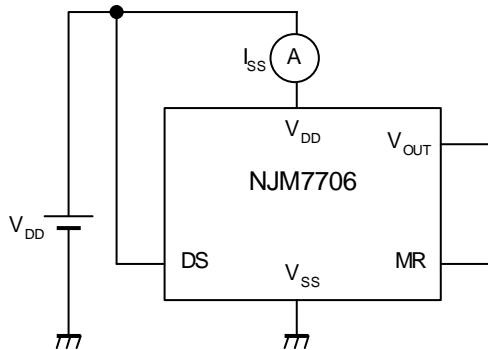
PARAMETER	SYMBOL	TEST CONDITION	MIN.	TYP.	MAX.	UNIT	
Detection Voltage	V _{DET}		-1.0%	–	+1.0%	V	
Hysteresis Voltage	V _{HYS}		70	90	130	mV	
Quiescent Current	I _{SS}	V _{DD} =V _{DET} +1V	V _{DET} =1.5V ~ 1.9V Version	–	1.0	1.7	μA
			V _{DET} =2.0V ~ 6.0V Version	–	1.3	2.2	
Output Current	I _{OUT}	Nch, V _{DS} =0.5V	V _{DD} =1.2V	0.75	2.0	–	mA
			V _{DD} =2.4V (≥2.7V Version)	4.5	7.0	–	
Output Leak Current	I _{LEAK}	V _{DD} =V _{OUT} =9V	–	–	0.1	μA	
Detection Voltage Temperature Coefficient	Δ V _{DET} / ΔTa	Ta=0 ~ +85°C	–	±100	–	ppm/°C	
Delay Time 1	t _{d1}	V _{DD} =V _{DET} +1V, DS="L Level"	NJU7706F***1	42.5	50	57.5	mS
			NJU7706F***2	85	100	115	mS
			NJU7706F***3	170	200	230	mS
Delay Time 2	t _{d2}	V _{DD} =V _{DET} +1V, DS="H Level"	25	50	300	μS	
Input Voltage of DS pin	V _{DS_H}		1.5	–	V _{DD}	V	
	V _{DS_L}		0	–	0.3	V	
Input Voltage of MR pin (Active "L")	V _{MR_H}		1.5	–	V _{DD}	V	
	V _{MR_L}		0	–	0.3	V	
Input Voltage of MR pin (Active "H")	V _{MR_H}		V _{DD} -0.3	–	V _{DD}	V	
	V _{MR_L}		0	–	V _{DD} -1.5	V	
Impedance of MR pin	R _{MR}		1.0	2.0	3.0	MΩ	
Operating Voltage (*note 1)	V _{DD}	R _L =100kΩ	0.8	–	9	V	

(*note 1): The minimum Operating Voltage(V_{OPL}) indicates the same value of the output voltage(V_{OUT}) on condition that V_{OUT} becomes 10% or less of the input voltage(V_{DD}).

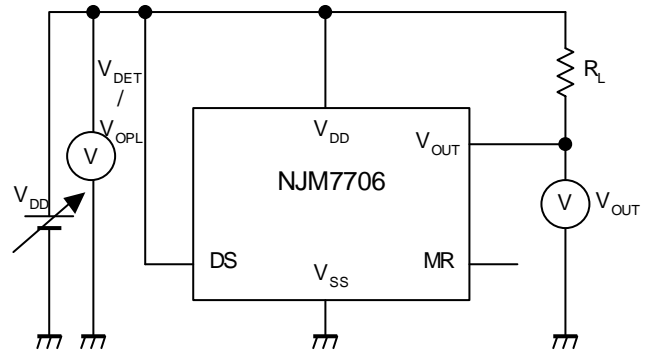
NJU7706/07

■ TEST CIRCUIT

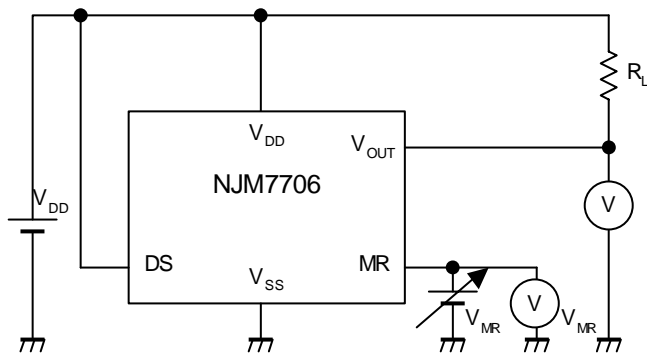
● Circuit Operating Current TEST CIRCUIT



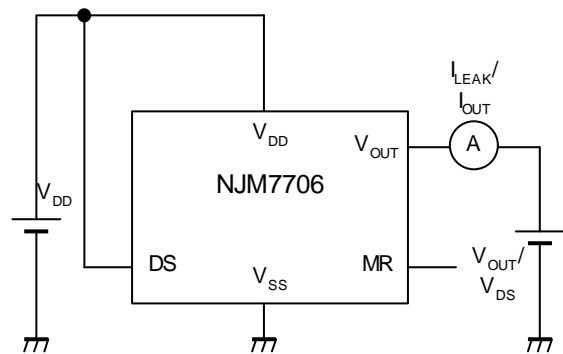
● Detection voltage/Minimum operating voltage TEST CIRCUIT



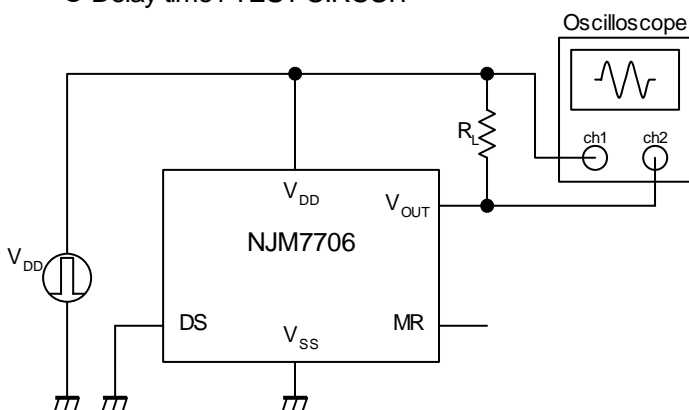
● MR pin Input voltage TEST CIRCUIT



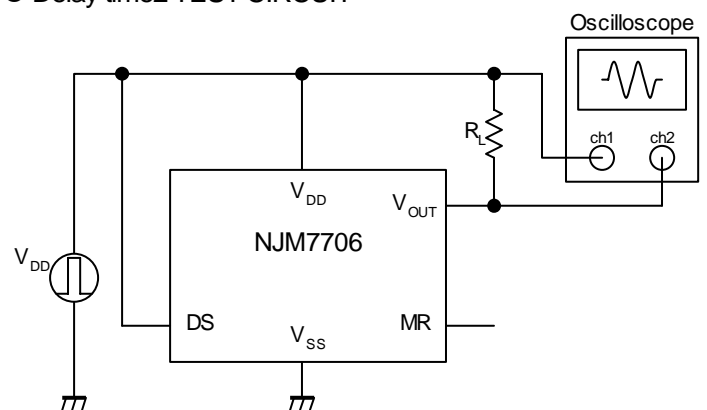
● Leak current / Output current TEST CIRCUIT



● Delay time1 TEST CIRCUIT

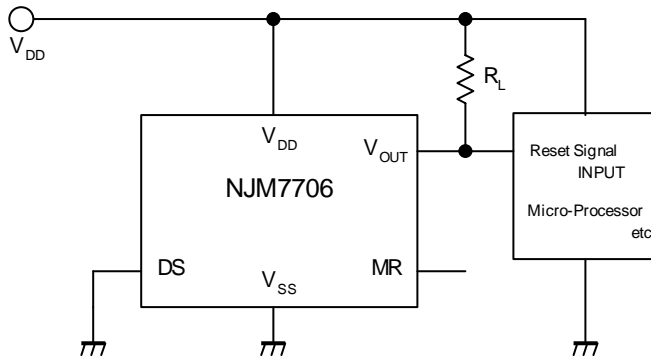


● Delay time2 TEST CIRCUIT

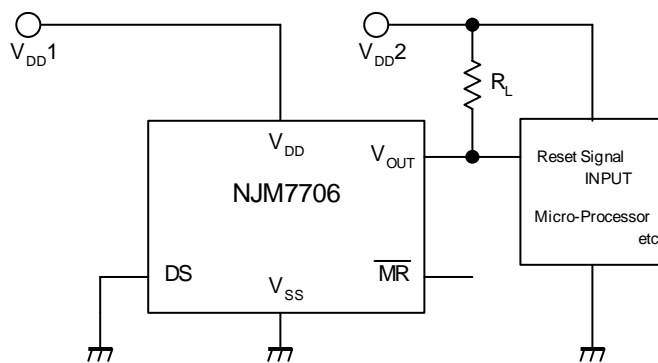


■ TYPICAL APPLICATION

① Power Supply Monitor Circuit



② Power Supply Monitor Circuit (VDD line SEPARATE)



NJU7706/07

■ NJU7707

■ ABSOLUTE MAXIMUM RATINGS

(Ta=25°C)

PARAMETER	SYMBOL	RATINGS	UNIT
Input Voltage	V _{DD}	+10	V
Output Voltage	V _{OUT}	V _{SS} -0.3 ~ V _{DD} +0.3	V
Output Current	I _{OUT}	50	mA
Power Dissipation	P _D	200	mW
Operating Temperature	T _{opr}	-40 ~ +85	°C
Storage Temperature	T _{stg}	-40 ~ +125	°C

■ ELECTRICAL CHARACTERISTICS

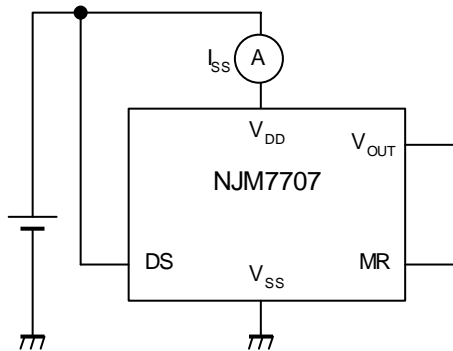
(Ta=25°C)

PARAMETER	SYMBOL	TEST CONDITION	MIN.	TYP.	MAX.	UNIT	
Detection Voltage	V _{DET}		-1.0%	–	+1.0%	V	
Hysteresis Voltage	V _{HYS}		70	90	130	mV	
Quiescent Current	I _{SS}	V _{DD} =V _{DET} +1V	V _{DET} =1.5V ~ 1.9V Version	–	1.0	1.7	μA
			V _{DET} =2.0V ~ 6.0V Version	–	1.3	2.2	
Output Current	I _{OUT}	Nch, V _{DS} =0.5V	V _{DD} =1.2V	0.75	2.0	–	mA
			V _{DD} =2.4V (≥2.7V Version)	4.5	7.0	–	
		Pch, V _{DS} =0.5V	V _{DD} =4.8V (≤3.9V Version)	2.0	3.5	–	
			V _{DD} =6.0V (4.0V ~ 5.6V Version)	2.5	4.0	–	
		V _{DD} =8.4V (≥5.7V Version)	3.0	5.0	–		
Detection Voltage Temperature Coefficient	Δ V _{DET} / ΔTa	Ta=0 ~ +85°C	–	±100	–	ppm/°C	
Delay Time 1	t _{d1}	V _{DD} =V _{DET} +1V, DS="L Level"	NJU7707F***1	42.5	50	57.5	mS
			NJU7707F***2	85	100	115	mS
			NJU7707F***3	170	200	230	mS
Delay Time 2	t _{d2}	V _{DD} =V _{DET} +1V, DS="H Level"	25	50	300	μS	
Input Voltage of DS pin	V _{DS_H}		1.5	–	V _{DD}	V	
	V _{DS_L}		0	–	0.3	V	
Input Voltage of MR pin (Active "L")	V _{MR_H}		1.5	–	V _{DD}	V	
	V _{MR_L}		0	–	0.3	V	
Input Voltage of MR pin (Active "H")	V _{MR_H}		V _{DD} -0.3	–	V _{DD}	V	
	V _{MR_L}		0	–	V _{DD} -1.5	V	
Impedance of MR pin	R _{MR}		1.0	2.0	3.0	MΩ	
Operating Voltage (*note 2)	V _{DD}	R _L =100kΩ	0.8	–	9	V	

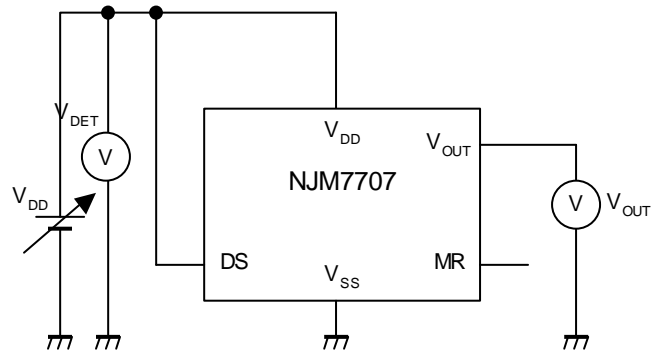
(*note 2): The minimum Operating Voltage(V_{OPL}) indicates the same value of the output voltage(V_{OUT}) on condition that V_{OUT} becomes 10% or less of the input voltage(V_{DD}).

■ TEST CIRCUIT

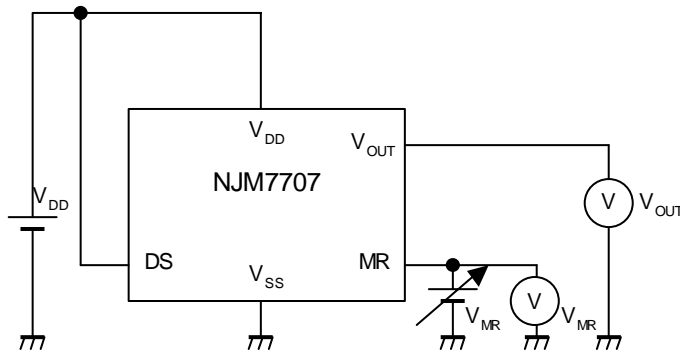
● Circuit Operating Current TEST CIRCUIT



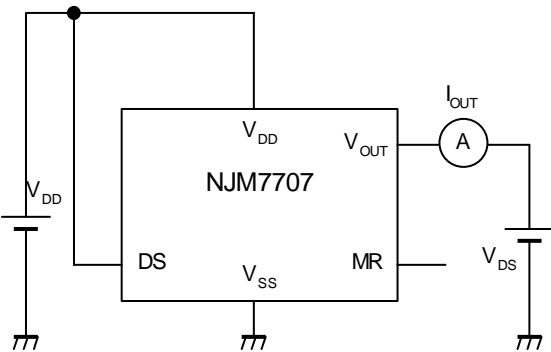
● Detection voltage TEST CIRCUIT



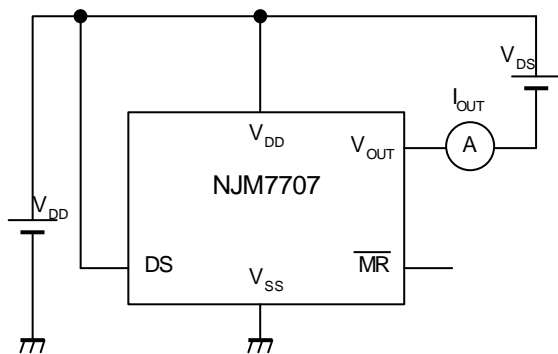
● MR pin Input voltage TEST CIRCUIT



● Nch Output current TEST CIRCUIT

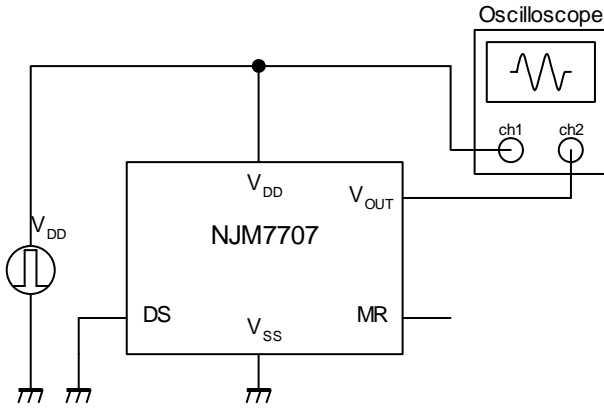


● Pch Output current TEST CIRCUIT

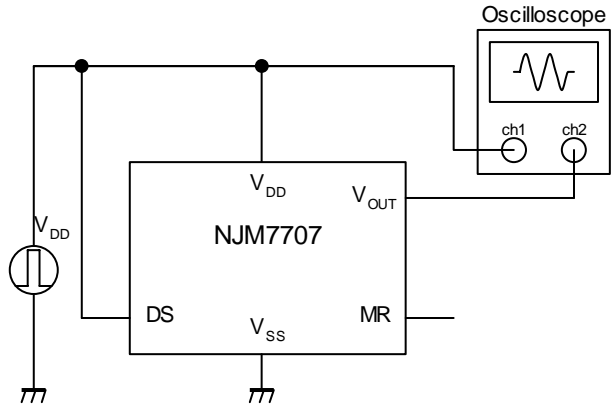


NJU7706/07

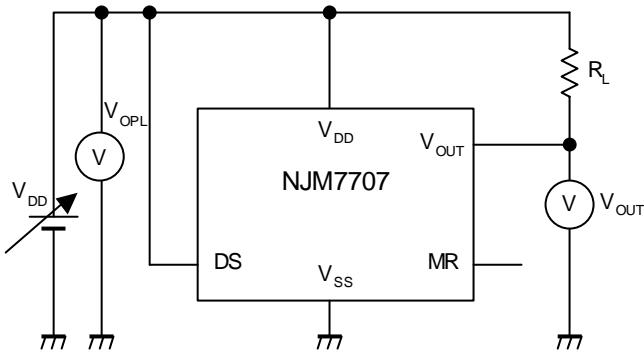
● Delay time1 TEST CIRCUIT



● Delay time2 TEST CIRCUIT

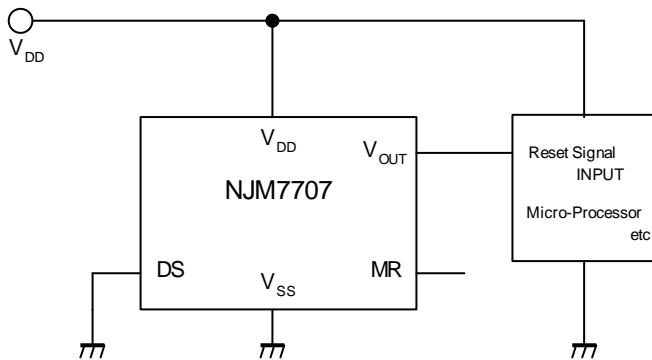


● Minimum operating voltage TEST CIRCUIT



■ TYPICAL APPLICATION

① Power Supply Monitor Circuit (VDD line COMMON)



[CAUTION]

The specifications on this databook are only given for information, without any guarantee as regards either mistakes or omissions. The application circuits in this databook are described only to show representative usages of the product and not intended for the guarantee or permission of any right including the industrial rights.