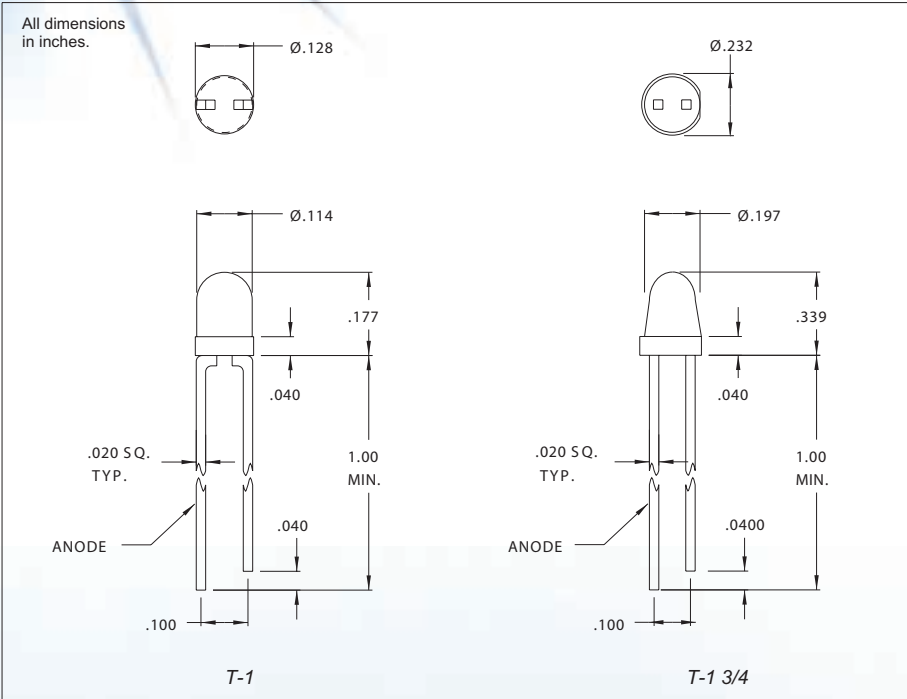


T-1 and T-1 3/4 Blue LED Lamps

DESCRIPTION AND FEATURES



These revolutionary new LED lamps emit a true blue color (430 nm) for those design engineers looking for that fourth status color. Lamps are manufactured with state of the art Silicon Carbide (SiC) technology.

LED lamps are available in both T-1 and T-1 3/4 package sizes, in both diffused and non-diffused lens types.

ELECTRO-OPTICAL CHARACTERISTICS AND RATINGS

PART NUMBER	T-1		T-1 3/4	
	CMD264UBD	CMD264UBC	CMD383UBC/H2	CMD383UBC
Output Color	Blue	Blue	Blue	Blue
Diffusion	Diffused	Non-Diffused	Non-Diffused	Non-Diffused
Package Color	Blue	Clear	Clear	Clear
Test Current (mA)	20	20	20	20
Forward Voltage Typ. (V)	4.9	4.9	4.9	4.9
Forward Voltage Max. (V)	5.5	5.5	5.5	5.5
Luminous Intensity Min. (mcd)	63	160	250	600
Luminous Intensity Typ. (mcd)	100	250	350	800
Luminous Intensity Max. (mcd)	-	-	-	-
Peak Wavelength (nm)	430	430	430	430
Viewing Angle 2θ 1/2 (degrees)	45	30	24	12
Power Dissipation (mW)	98	98	98	98
Operating Temperature (°C)	-20 to +80	-20 to +80	-20 to +80	-20 to +80
Storage Temperature (°C)	-20 to +80	-20 to +80	-20 to +80	-20 to +80
Peak Forward Current Max. (1µs @ 10% duty cycle) (mA)	100	100	100	100
Reverse Voltage (IR=100µA) (V)	5	5	5	5
Lead Solder Time @ 260°C	5	5	5	5