



Micro Commercial Components
21201 Itasca Street Chatsworth
CA 91311
Phone: (818) 701-4933
Fax: (818) 701-4939

LL48

Small Signal Schottky Diode

Features

- Fast Switching Speed
- Protected by a PN junction guard ring against excessive
- Low Turn-on Voltage
- For General Purpose Application

Mechanical Data

- Case: Minimelf, Glass
- Terminals: Solderable per MIL-STD-202, Method 208
- Polarity: Indicated by Cathode Band
- Weight: 0.05 grams (approx.)

Maximum Ratings @ 25°C Unless Otherwise Specified

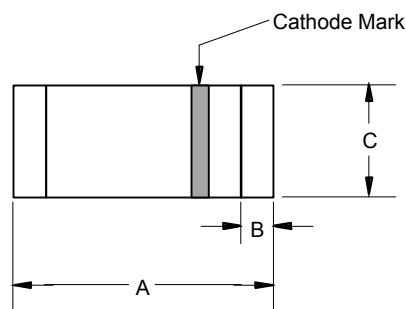
Characteristic	Symbol	Value	Unit
Peak Reverse Voltage	V_{RRM}	40	V
Forward Continuous Current(Note1)	I_F	350	mA
Surge Forward Current @ $t_p < 10ms$, $T_A=25^\circ C$	I_{FSM}	7.5	A
Power Dissipation(Note 1)	P_{tot}	330	mW
Thermal Resistance(Note 1)	$R_{\theta JA}$	300	K/W
Operation Temperature Range	T_A	-55 to 125	°C
Storage Temperature Range	T_{STG}	-55 to 150	°C

Electrical Characteristics @ 25°C Unless Otherwise Specified

Charateristic	Symbol	Min	Typ.	Max	Unit	Test Cond.
Reverse Breakdown Volt.	$V_{(BR)R}$	40	-----	-----	V	100uA pulse
Reverse Leakge Current.	I_R	-----	-----	2 15 5 25 25 50	uA	$V_R=10V$ $V_R=10V, T_J=60^\circ C$ $V_R=20V$ $V_R=20V, T_J=60^\circ C$ $V_R=40V$ $V_R=40V, T_J=60^\circ C$
Forward Volt. Drop	V_F	-----	-----	0.25 0.45 0.90	V	$I_F=0.1mA$ $I_F=10mA$ $I_F=250mA$
Junction Capacitance	C_{tot}	-----	2.0	-----	pF	$V_R=1V, f=1MHz$

Note: 1. Valid provided that electrodes are kept at ambient temperature

MINIMELF



DIM	DIMENSION				NOTE
	INCHES		MM		
	MIN	MAX	MIN	MAX	
A	.134	.142	3.40	3.60	
B	.008	.016	0.20	0.40	
C	.055	.059	1.40	1.50	

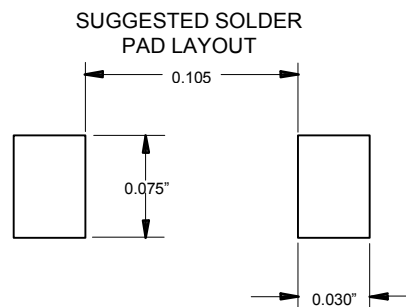


Figure 1. Forward current versus forward voltage at different temperatures (typical values)

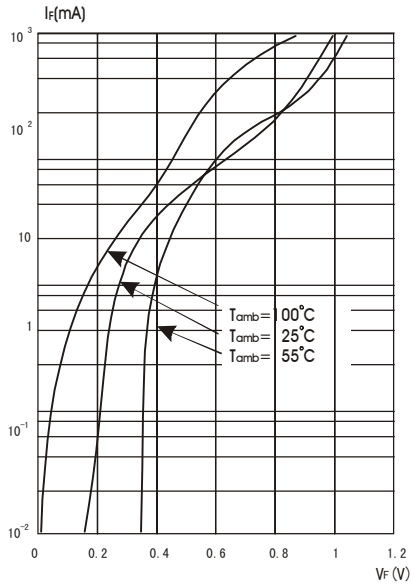


Figure 2. Forward current versus forward voltage (typical values)

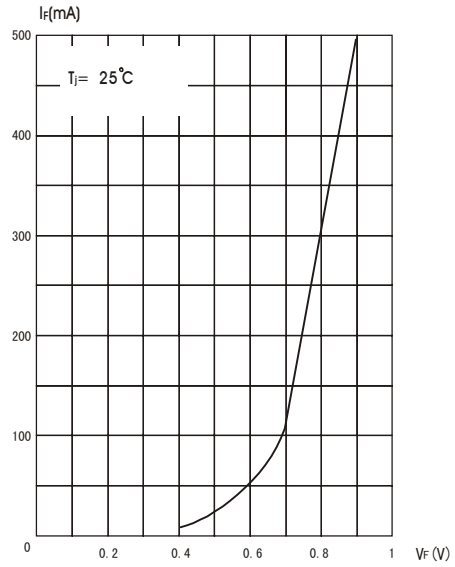


Figure 3. Reverse current versus ambient temperatures

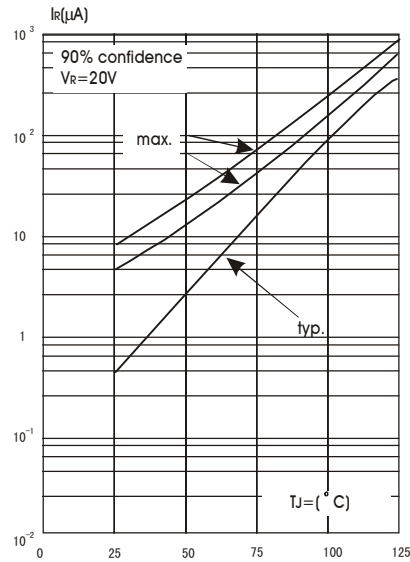


Figure 4. Reverse current versus continuous Reverse voltage (typical values)

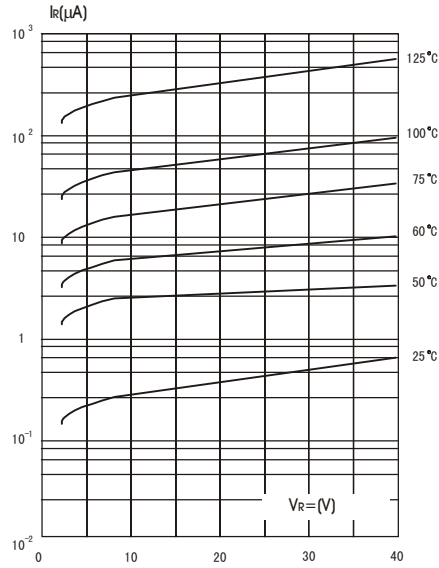


Figure 5. Capacitance C versus reverse applied voltage V_R (typical values)

