

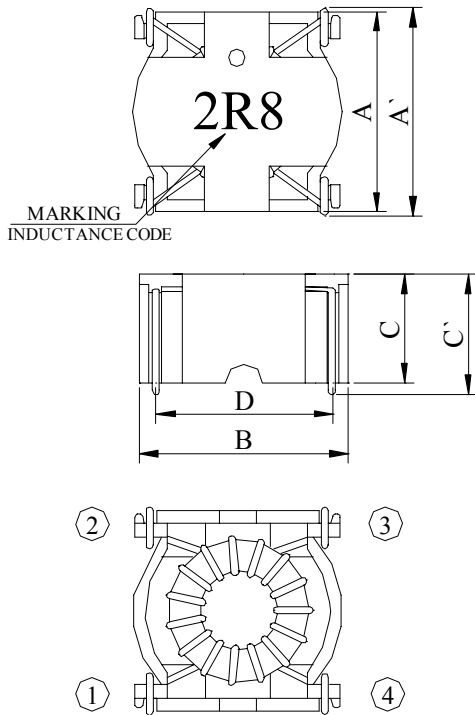
# SPECIFICATION FOR APPROVAL

REF : 20070821-A

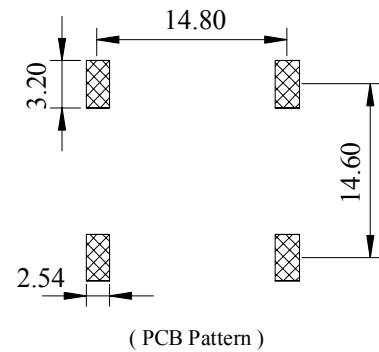
PAGE: 1

PROD. NAME <b>SMD TOROIDAL POWER FILTER</b>	ABC'S DWG NO. ST1711□□□□L□-□□□	ABC'S ITEM NO.
--	-----------------------------------	----------------

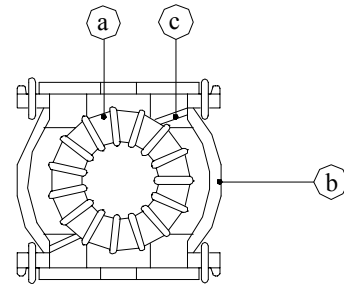
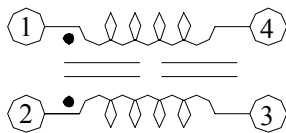
**. CONFIGURATION & DIMENSIONS :**



- A : 16.50 ± 0.4 m / m
- A' : 17.80 max. m / m
- B : 17.30 ± 0.4 m / m
- C : 9.12 typ. m / m
- C' : 10.50 max. m / m
- D : 14.80 typ. m / m



**. SCHEMATIC DIAGRAM :**



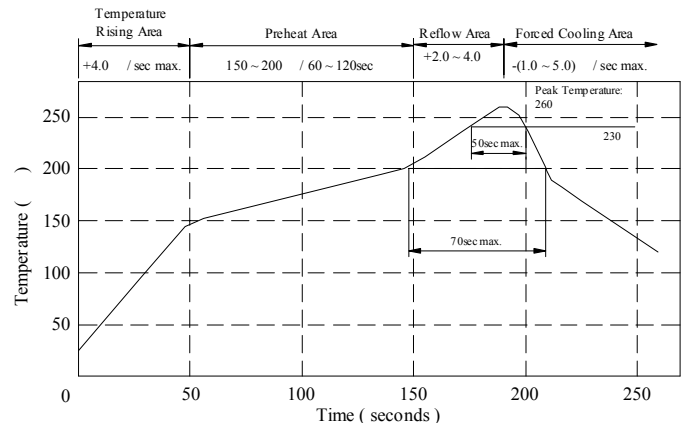
**. MATERIALS :**

- a . Core : Iron Toroidal Core
- b . Case : PPS-R7
- c . Wire : Enamelled Copper Wire ( class F )
- d . Adhesive : Epoxy Resin
- e . Remark : Products comply with RoHS' requirements

Peak Temp : 260 max.  
 Max time above 230 : 50sec max.  
 Max time above 200 : 70sec max.

**. GENERAL SPECIFICATION :**

- a . Temp. Rise : 40 typ.
- b . Storage Temp. : -40 ----+130
- c . Operating Temp. : -25 ----+130
- d . Resistance To Solder Heat : 260 .10 Secs.



AR-001A

# SPECIFICATION FOR APPROVAL

REF : 20070821-A

PAGE: 2

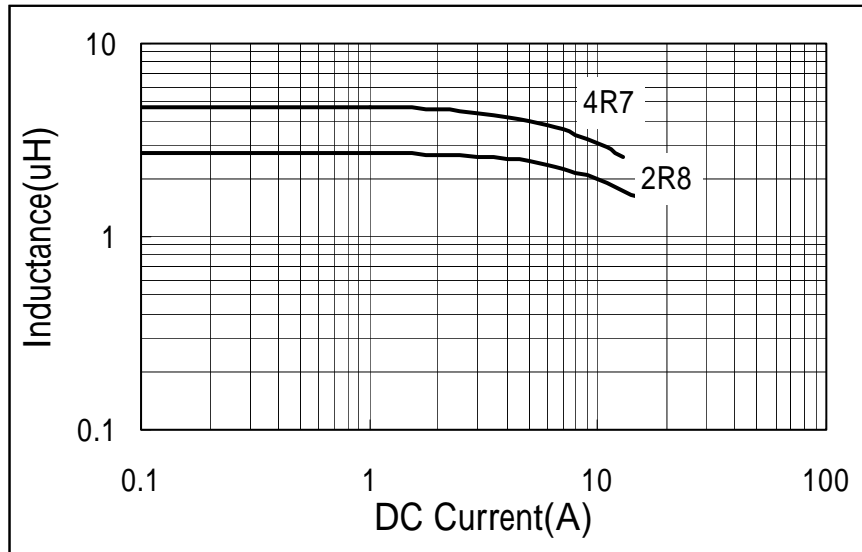
PROD. NAME	SMD TOROIDAL POWER FILTER	ABC'S DWG NO.	ST1711□□□□L□-□□□
		ABC'S ITEM NO.	

**. ELECTRICAL CHARACTERISTICS :**

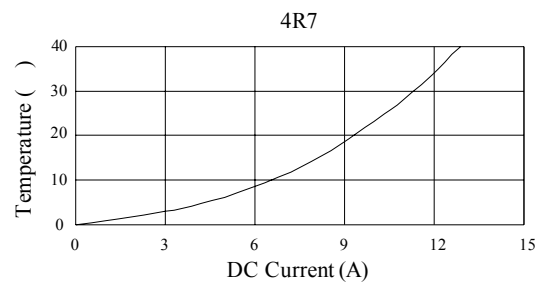
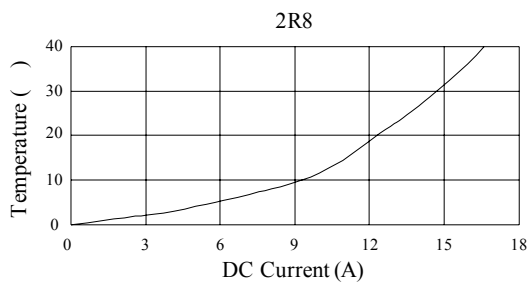
DWG No.	Inductance @10KHz, 0.1 Vrms ( μH )	RDC(mΩ) (Each Winding)		Irms(A) typ.	Isat(A) typ.
		max.	typ.		
ST17112R8ML□-□□□	2.8 ± 20%	9.30	7.10	16.50	14.40
ST17114R7ML□-□□□	4.7 ± 20%	14.50	11.50	12.80	11.60

- 1). □ : Packaging information ... **A** } Bulk    **B** } Taping Reel
- 2). "- □□□":Reference code
- 3). Irms base on Temp. rise 40 typ.
- 4). Isat base on L/LOA=40% typ.

**@ Inductance VS. DC Superposition Characteristics**



**@ DC Current VS Temperature Rise**



# SPECIFICATION FOR APPROVAL

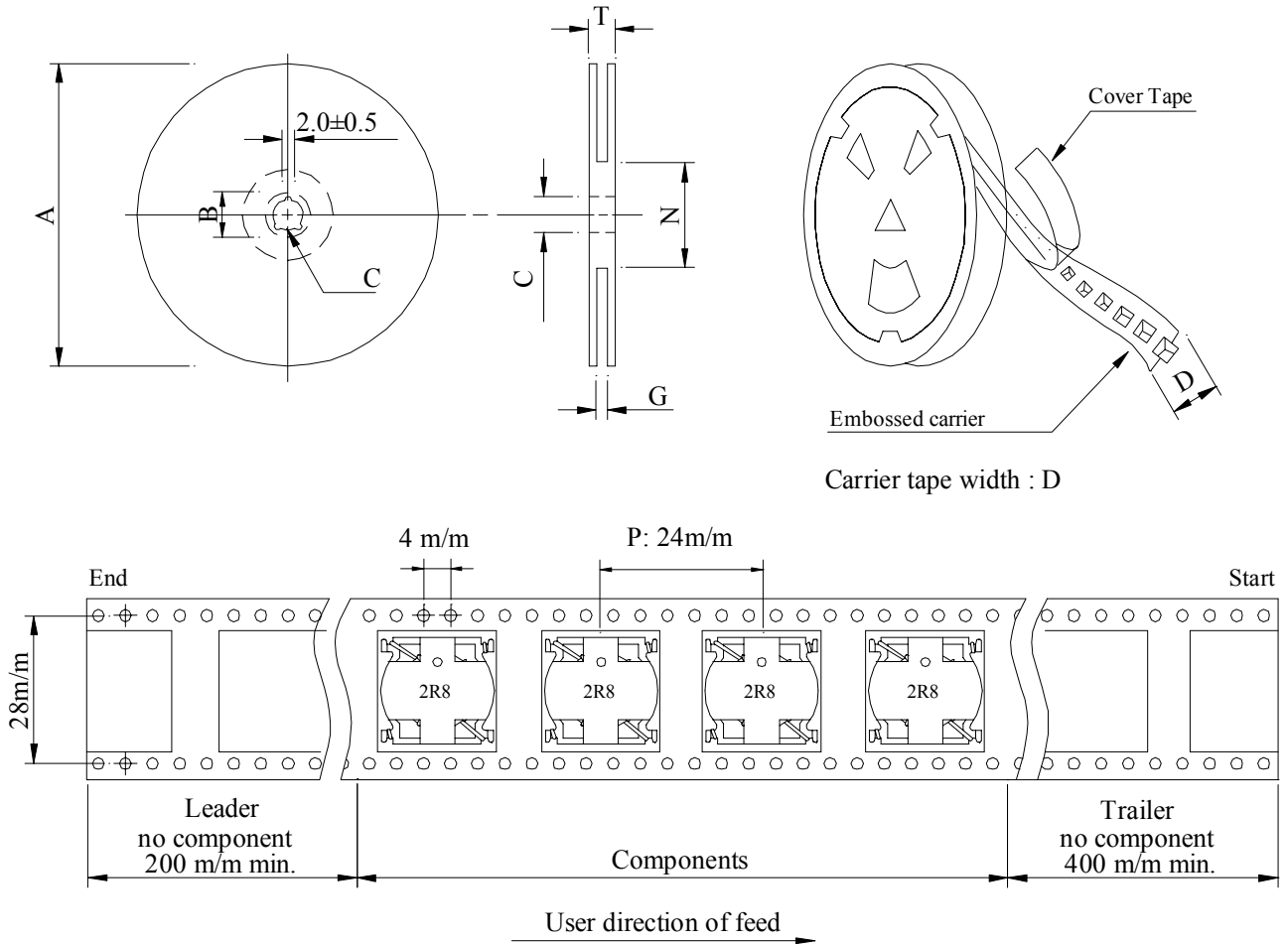
REF : 20070821-A

PAGE: 3

PROD. NAME	SMD TOROIDAL POWER FILTER	ABC'S DWG NO.	ST1711□□□□L□-□□□
		ABC'S ITEM NO.	

**. PACKAGING INFORMATION :**

( 1 ) Configuration



( 2 ) Dimensions : (m/m)

Style	A	B	C	D	G	N	T
13 - 32	330	21±0.8	13±0.5	32	34 <sup>+0</sup>	100 <sup>-0</sup>	38.4

( 3 ) Q'TY & G.W. Per package :

Type	Inner : Reel			Outer : Carton		
	Q'TY (pcs)	G.W. (gw)	Style	Q'TY (pcs)	G.W. (kg)	Size (cm)
ST1711	200	900	13 - 32	800	5.2	40 x 40 x 24

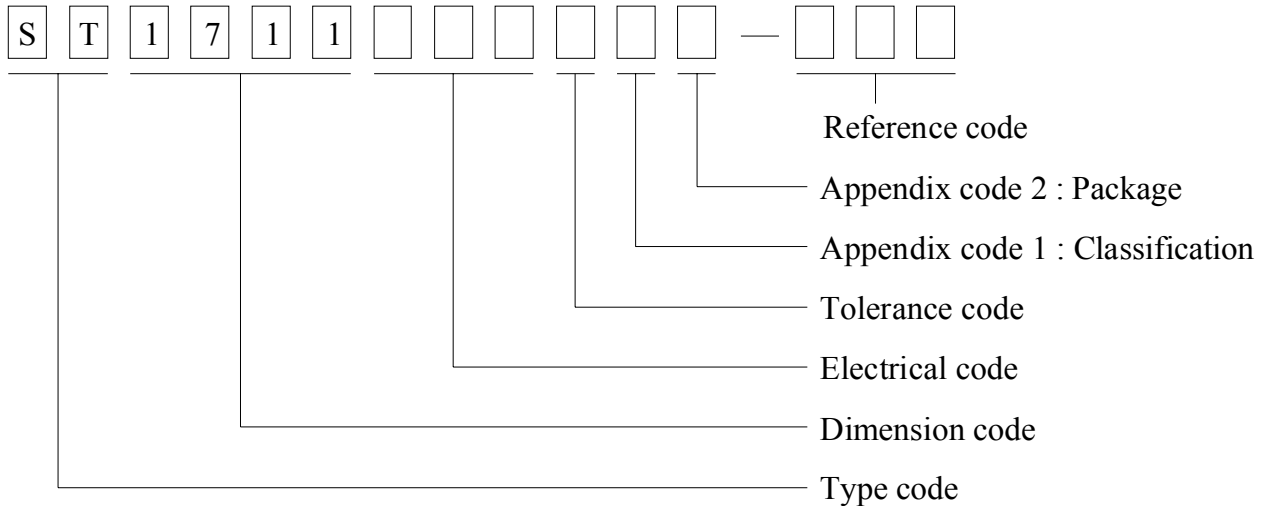
# SPECIFICATION FOR APPROVAL

REF : 20070821-A

PAGE: 4

PROD. NAME	SMD TOROIDAL POWER FILTER	ABC'S DWG NO.	ST1711□□□□L□-□□□
		ABC'S ITEM NO.	

. DWGING NUMBER EXPRESSION :



Appendix code 1 : Product Classification

- L : Lead Free Standard products comply with RoHS' requirements
- 1 ~ 9 : Lead Free Special products comply with RoHS' requirements

Appendix code 2 : Package Information

Code	Inner Package	Inner Package Q'TY	Remark
A	Empty	Empty	
B	T / R ( Reel Package )	200 pcs	

# SPECIFICATION FOR APPROVAL

REF : 20070821-A

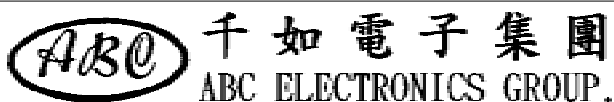
PAGE: 5

PROD. NAME	SMD TOROIDAL POWER FILTER	ABC'S DWG NO.	ST1711□□□□L□-□□□
		ABC'S ITEM NO.	

**. RELIABILITY TEST :**

Test item	Specification	Test condition						
Solderability	More than 95% of the terminal electrode shall be covered With fresh solder.	Preheat : 155 / 4 hours. Solder : Sn96.5 / Ag3 / Cu0.5 or equivalent Solder temp. : 235±5 Flux : Rosin Dip time : 5±0.5 seconds						
Thermal shock test ( Temp. cycle )	Electrical oharacteristics shall not change more than ±20%	<table style="width: 100%; border: none;"> <tr> <td style="text-align: center;">Room temp. 15 minutes</td> <td style="text-align: center;">→</td> <td style="text-align: center;">-25 30 minutes</td> </tr> <tr> <td style="text-align: center;">Room temp. 15 minutes</td> <td style="text-align: center;">→</td> <td style="text-align: center;">+130 30 minutes</td> </tr> </table> <p>Total : 50 cycles</p>	Room temp. 15 minutes	→	-25 30 minutes	Room temp. 15 minutes	→	+130 30 minutes
Room temp. 15 minutes		→	-25 30 minutes					
Room temp. 15 minutes		→	+130 30 minutes					
Humidity test		Temperature : 40±2 Humidity : 90±5% Time : 1000 hours						
High temp. Resistance test	Temperature : 130±5 Applied current : Per spec. Time : 96 hours							

AR-001A



# SPECIFICATION FOR APPROVAL

REF : 20070821-A

PAGE: 6

PROD. NAME	SMD TOROIDAL POWER FILTER	ABC'S DWG NO.	ST1711□□□□L□-□□□
		ABC'S ITEM NO.	

. UL CARD :

OBMW2		September 8, 2000	
Magnet Wire-Component			
JUNG SHING WIRE CO LTD		E174837	
231 CHUNG CHENG RD, SEC 3 JEN-TEH HSIANG, TAINAN HSIEN TAIWAN			

Mtl Dsg	Mark Dsg	BC	Coat Typ	OC	ANSI Type	Temp Class
AIW	---	Polyamideimide	---	---	MW81-C	220
CFUEWB	---	Polyurethane	---	---	MW75C	130
EIAIW	---	Polyesterimide	---	Polyamide	MW35C	200
EILOCKY	---	Polyesterimide	---	Polyamide	---	180
EILOCKW	---	Polyesterimide	---	Modified Epoxy	---	200
EIW	---	Polyesterimide	---	---	---	220
EIW-2	---	Polyesterimide	---	---	MW74-C	200
FL.EILOCKY	---	Modified Polyester	---	Polyamide	---	155
LSFFW	---	Polyurethane	---	---	MW79-C	155
LSUEW	---	Polyurethane	---	---	---	130
PEW	---	Polyester	---	---	---	155
PEY	---	Polyester	---	Nylon	MW24-C	155
SF.FLW	---	Modified Polyester	---	---	MW26C	155
SF.EIW	---	Polyesterimide	---	---	MW77C	180
SF.BY@	---	Modified Polyester	---	Nylon	MW27-C	155
SF.FLY@	---	Modified Polyester	---	Nylon	MW27-C	155
SF.BLOCKBS	---	Modified Polyester	---	Modified Polyamide	---	155
SF.EILOCKY#	---	Polyesterimide	---	Polyamide	---	180
SF.EILOCKWS	---	Polyesterimide	---	Modified Polyamide	---	180
SF.BW@	---	Modified Polyester	---	---	MW26C	155
SFFW	---	Polyurethane	---	---	MW79	155

287806002 Page 1 of 2

A not-for-profit organization dedicated to public safety and committed to quality service

Mtl Dsg	Mark Dsg	BC	Coat Typ	OC	ANSI Type	Temp Class
SFFY	---	Polyurethane	---	Polyamide	MW80C	155
UEW-1	---	Polyurethane	---	---	MW2-C	105
UEW-2	---	Polyurethane	---	---	---	130
UEW-4	---	Polyurethane	---	---	MW75C	130
UEY	---	Polyurethane	---	Nylon	MW28-C	130
UEY-2	---	Polyurethane	---	Polyamide	MW28-C	130

@-May be suffixed by LZ; # - May be suffixed by LZ, EL or LZL.  
 LZ - Signifies magned wires twisted together; EL - signifies base coated magnet wire laid parallel with top coat applied overall; LZL - signifies base coated magnet wire twisted together and covered with top coat overall.

Marking: Company name or trademarks **JSW** or 聚如電線, material designation or marked designation on packaed or reel, and Recognized Component Mark.

See General Information Preceding These Recognitions  
 For use only in equipment where the acceptability of the combination is determined by Underwriters Laboratories Inc.

287806002 Page 2 of 2

OBMW2E174837  
September 8, 2000

# SPECIFICATION FOR APPROVAL

REF : 20070821-A

PAGE: 7

PROD. NAME	SMD TOROIDAL POWER FILTER	ABC'S DWG NO.	ST1711□□□□L□-□□□
		ABC'S ITEM NO.	

QMFZ2		Wednesday, January 22, 2003									
Component-Plastics											
CHEVRON PHILLIPS CHEMICAL CO L P		E54700									
Mti Dsg	Col	Min Thk mm	UL94 Flame Class	Elec	RTI Imp	Mech Str	H W I	H A I	H V T R	D 4 9 5	C T I
Polyphenylene sulfide (PPS), glass reinterced, designated "RYTON", furnished as pellets.											
R-4-230NA	NC	0.38	V-0	130	130	130	—	—	4	5	4
		0.71	V-0	200	200	200	4	1	4	5	4
		1.5	V-0	220	200	220	0	0	4	5	4
		1.8	5VA	220	200	220	—	—	4	5	4
		3.0	V-0, 5VA	220	200	220	0	0	4	5	4
		6.0	V-0, 5VA	220	200	220	0	0	4	5	4
Report : 12/07/1982											
		Sunday, August 23, 1998									
Polyphenylene sulfide (PPS), glass reinterced, mineral reinforced, designated "RYTON", furnished as pellets.											
R-7	NC,BK,TN	0.71	V-0	200	200	200	1	0	0	5	3
		1.5	V-0	220	220	220	1	0	0	5	3
		3.0	V-0	220	220	220	1	0	0	5	3
		6.0	V-0	220	220	220	—	—	0	5	3
Report : 08/30/1983											
Underwriters Laboratories Inc. ®										984485002	