

# PTS635 Series 3,5 mm Tact Switches



## Features/Benefits

- Compact size 6 x 3.5 mm
- Variety of switch heights
- Choice of actuation force

## Typical Applications

- Consumer products
- Instrumentation
- Computer products
- Industrial

## Specification

**FUNCTION:** Momentary action  
**CONTACT ARRANGEMENT:** SPST, N.O.  
**TERMINALS:** PC pins

## Mechanical

**ACTUATION FORCE:** PTS635L models: 130 grams.  
 PTS635H models: 200 grams.  
**LIFE EXPECTANCY:** 20,000 operations.

## Electrical

**CONTACT RATING:** 50 mA @ 12 V DC.  
**DIELECTRIC STRENGTH:** 250 V AC min.  
**CONTACT RESISTANCE:** 100 mΩ max. initial.  
**INSULATION RESISTANCE:** 10<sup>11</sup>Ω min.

## Environmental

**OPERATING TEMPERATURE:** -40°C to 60°C

## Process

**SOLDERING:** Preheating to 100°C for 45 sec. max. Keep flux flush with top surface of PCB; do not apply to component side of PCB and area where terminals are located. Soldering to 255°C for 5 sec. max. Clean by brushing on solder surface. Do not clean switch with solvents.

## Materials

**BASE:** 6/6 nylon or glass filled polyester (PBT) (UL 94V-0).  
**ACTUATOR:** 6/6 nylon or polyacetal (UL 94HB).  
**COVER PLATE:** PTS635S and PTS635V models: Tin plated stainless steel  
**DOME CONTACTS:** Phosphor bronze, silver clad.  
**STATIONARY CONTACTS:** Brass, silver plated.  
**TERMINALS:** Brass, silver plated. Insert molded.

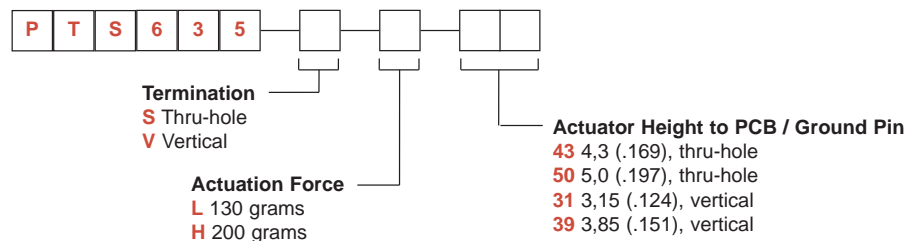
## Packaging

Bulk packaging.

**NOTE:** Specifications listed above are for switches with standard options. For information on specific and custom switches, consult Customer Service Center.

## How To Order

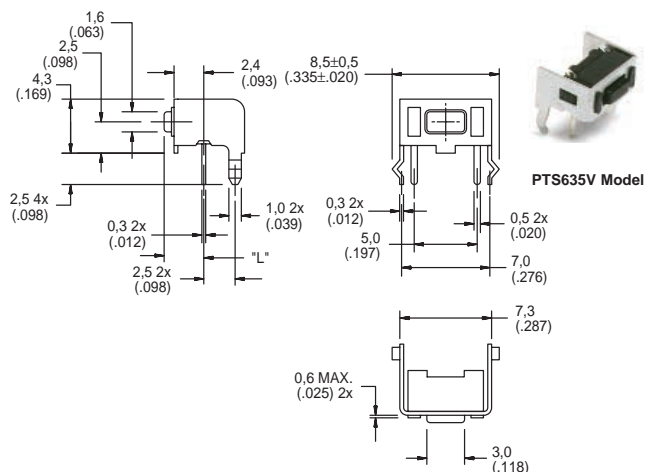
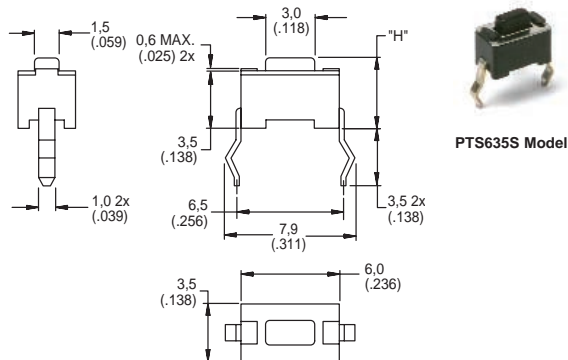
Our easy build-a-switch concept allows you to mix and match options to create the switch you need. To order, select desired option from each category and place it in the appropriate box.



# PTS635 Series 3,5 mm Tact Switches

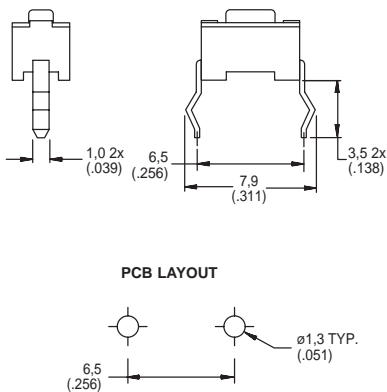
SERIES

## PTS635

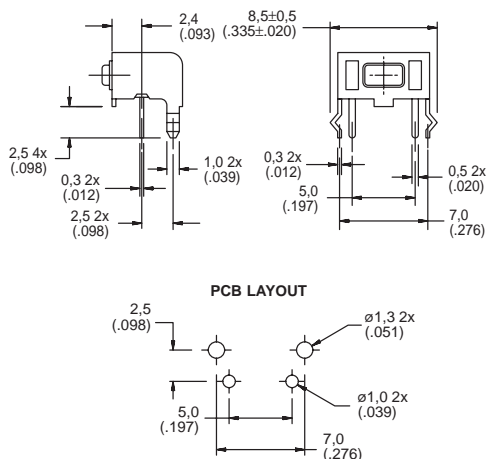


TERMINATION

## S THRU-HOLE



## V VERTICAL



ACTUATION FORCE

OPTION CODE	FORCE
L	130 grams
H	200 grams

ACTUATOR HEIGHT

OPTION CODE	HEIGHT "H" or LENGTH "L"	TERMINATION	SCHEMATIC
43	4,3 (.169)	Thru-hole	
50	5,0 (.197)	Thru-hole	
31	3,15 (.124)	Vertical	
39	3,85 (.151)	Vertical	