

Silicon NPN Power Transistors

2SC2939

DESCRIPTION

- With TO-247 package
- Switching power transistor
- High breakdown voltage

APPLICATIONS

- For switching regulator applications

PINNING

| PIN | DESCRIPTION |
|-----|--------------------------------------|
| 1 | Base |
| 2 | Collector;connected to mounting base |
| 3 | Emitter |

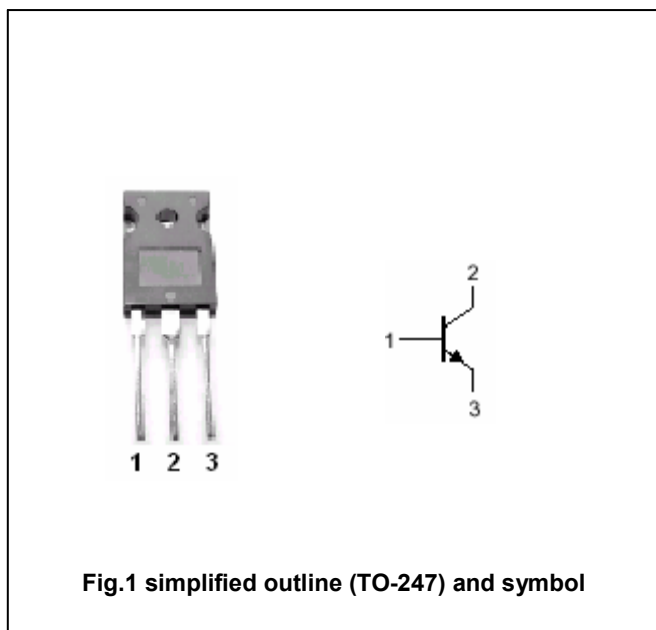


Fig.1 simplified outline (TO-247) and symbol

Absolute maximum ratings(Tc=25°C)

| SYMBOL | PARAMETER | CONDITIONS | VALUE | UNIT |
|------------------|---------------------------|----------------------|---------|------|
| V _{CBO} | Collector-base voltage | Open emitter | 500 | V |
| V _{CEO} | Collector-emitter voltage | Open base | 400 | V |
| V _{EBO} | Emitter-base voltage | Open collector | 7 | V |
| I _C | Collector current (DC) | | 10 | A |
| I _{CM} | Collector current-Peak | | 20 | A |
| P _D | Total power dissipation | T _C =25°C | 80 | W |
| T _j | Junction temperature | | 150 | °C |
| T _{stg} | Storage temperature | | -55~150 | °C |

Silicon NPN Power Transistors

2SC2939

CHARACTERISTICS

T_j=25°C unless otherwise specified

| SYMBOL | PARAMETER | CONDITIONS | MIN | TYP. | MAX | UNIT |
|-----------------------|--------------------------------------|--|-----|------|-----|------|
| V _{CEO(SUS)} | Collector-emitter sustaining voltage | I _C =0.1A; I _B =0 | 400 | | | V |
| V _{CE(sat)} | Collector-emitter saturation voltage | I _C =5A; I _B =1A | | | 1.0 | V |
| V _{BE(sat)} | Base-emitter saturation voltage | I _C =5A; I _B =1A | | | 1.5 | V |
| I _{CBO} | Collector cut-off current | At rated voltage | | | 0.1 | mA |
| I _{CEO} | Collector cut-off current | | | | | |
| I _{EBO} | Emitter cut-off current | At rated voltage | | | 0.1 | mA |
| h _{FE-1} | DC current gain | I _C =5A; V _{CE} =2V | 10 | | 50 | |
| h _{FE-2} | DC current gain | I _C =1mA; V _{CE} =2V | 5 | | | |
| f _T | Transition frequency | I _C =1A; V _{CE} =10V | | 20 | | MHz |

Silicon NPN Power Transistors

2SC2939

PACKAGE OUTLINE

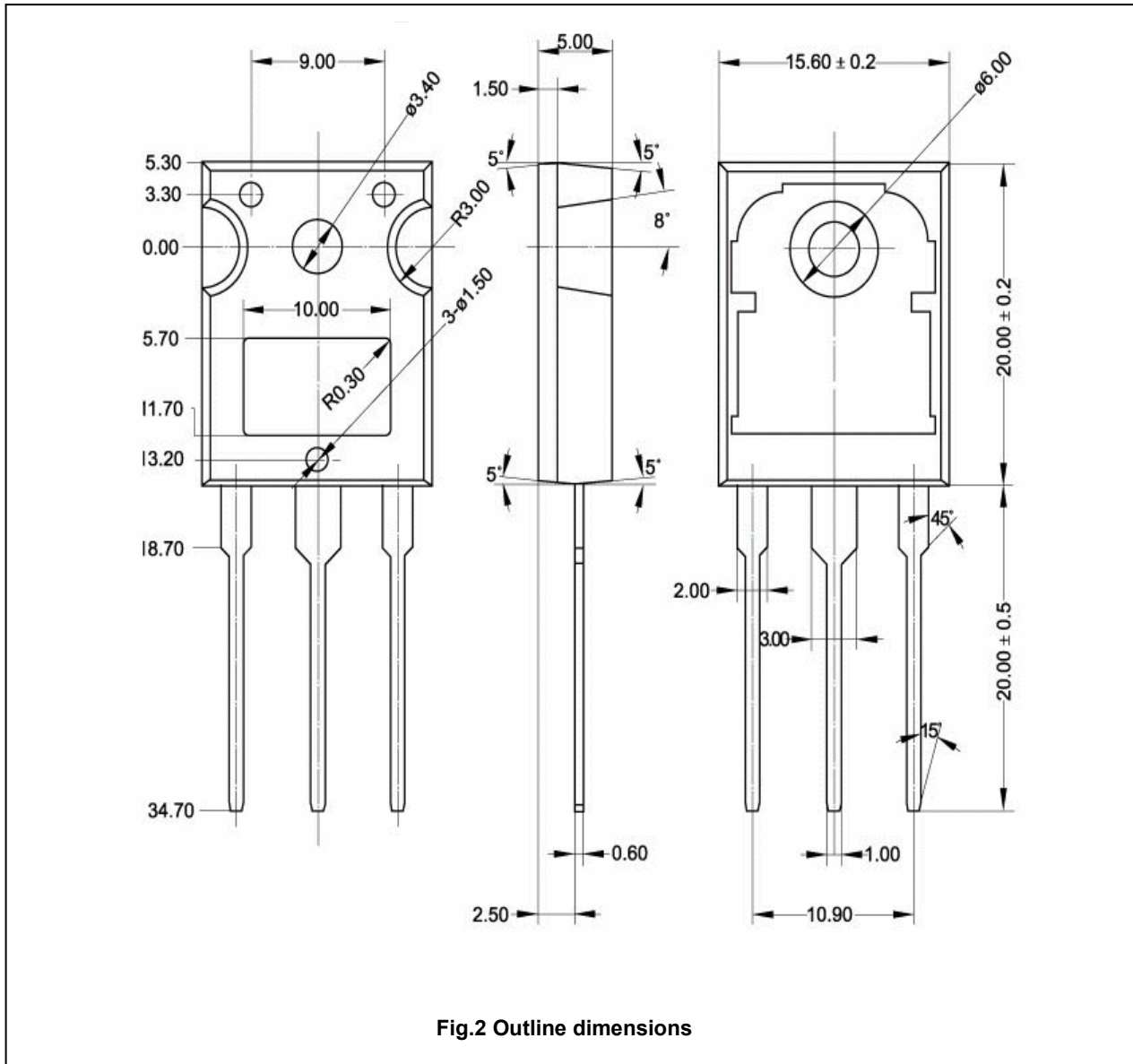


Fig.2 Outline dimensions