

ABSOLUTE MAXIMUM RATINGS

Item	Symbol	Min.	Max.	Unit
Supply Voltage(Logic)	V _{DD} - V _{SS}	-0.3	7.0	V
Supply Voltage(LCD)	V _O - V _{SS}	-0.3	7.0	V
Input Voltage	V _I	-0.3	V _{DD} + 0.3	V
Operating Temp.	T _{opr}	0	50	°C
Storage Temp.	T _{stg}	-20	70	°C

MECHANICAL DATA

Item	Nominal Dimensions	Unit
Module Size (W x H x T)	58.0 x 55.0 x 6.5	mm
Viewing Area (W x H)	55.0 x 18.0	mm
Dot Pitch (W x H)	0.40 x 0.50	mm
Dot Size (W x H)	0.36 x 0.46	mm
Weight (Reflective/EL)	Approx. 15	g

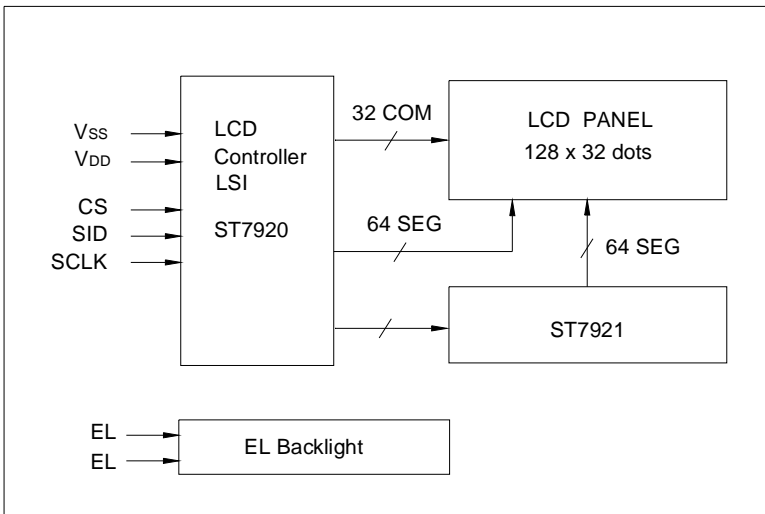
ELECTRICAL CHARACTERISTICS (V_{DD}=5V±0.25V)

Item	Symbol	Test Condition	Min.	Typ.	Max.	Unit
Input High Voltage	V _{IH}	--	0.7V _{DD}	--	V _{DD}	V
Input Low Voltage	V _{IL}	--	- 0.3	--	0.6	V
Supply Current	I _{DD}	V _{DD} = 5.0V	--	1.5	2.0	mA
LCD Driving Voltage	V _O - V _{SS}	T _a =25°C	--	4.6	--	V

PIN CONNECTIONS

Pin	Symbol	Level	Function
1	V _{SS}	0V	GND
2	V _{DD}	+5V	Power supply for logic
3	NC	--	No connection
4	CS	H	Chip enable signal, active "H"
5	SCLK	H/L	Serial clock
6	SID	H/L	Serial data
7	EL	--	EL backlight drive voltage
8	EL	--	

BLOCK DIAGRAM



EL BACKLIGHT SPECIFICATIONS (T_a=25°C)

Item	Symbol	Typ.	Max.	Unit
Input Voltage	V _{EL}	100	--	V _{rms}
Input Frequency	f _{EL}	400	--	Hz
Current	I _{EL}	3.0	--	mA