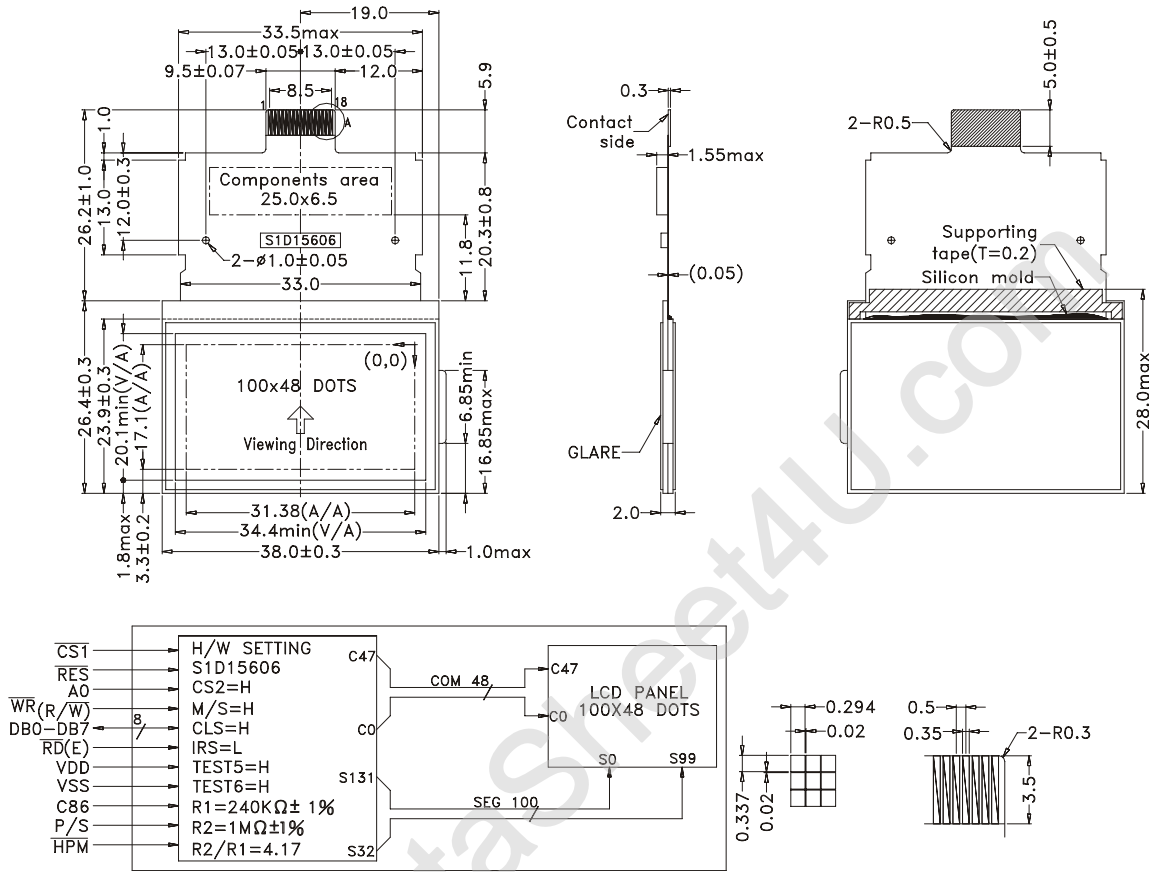


OUTLINE DIMENSION & BLOCK DIAGRAM



MECHANICAL SPECIFICATION

Overall Size	38.0 x 52.6 mm	Module	H2 / H1
View Area	34.4 x 20.1 mm	W/O B/L	- / 2.0
Dot Size	0.294 x 0.337 mm	EL B/L	- / -
Dot Pitch	0.314 x 0.357 mm	LED B/L	- / -

PIN ASSIGNMENT

Pin No.	Symbol	Function
1	CS1	Chip select
2	RES	Reset
3	AO	Display/control data select
4	R/W(WR)	Read/write command select
5	E/(RD)	Read enable
6-11	DB0-DB5	Data input
12	DB6(SCL)	Data/serial clock input
13	DB7(SI)	Data/serial data input
14	VDD	Logic power supply
15	VSS(GND)	Ground
16	C86	MPU 8080/6800 interface select
17	P/S	Parallel/serial data read/write select
18	/HPM	Normal/high power mode select

ABSOLUTE MAXIMUM RATING

Item	Symbol	Condition	Min.	Max.	Units
Supply for logic voltage	V _{DD} -V _{SS}	25°C	-0.3	7.0	V
LCD driving supply voltage	V _{DD} -V _{EE}	25°C	-0.3	18.0	V
Input Voltage	V _{IN}	25°C	-0.3	V _{DD} +0.3	V

ELECTRICAL CHARACTERISTICS

Item	Symbol	Condition	Min.	Typical	Max.	Units		
Power supply voltage	V _{DD} -V _{SS}	25°C	2.7	3.0	5.5	V		
LCD operation voltage	V _{OP}	T _{OP}	N	W	N	W	V	
		-20°C	-	-	-	-	V	
		0°C	-	-	-	-	V	
		25°C	8.6	-	9.1	-	9.2	V
		50°C	-	-	-	-	V	
		70°C	-	-	-	-	V	
LCM current consumption (No B/L)	I _{DD}	V _{DD} =5V	-	0.3	0.6	mA		
	-	-	-	-	-	mA		
Backlight current consumption	-	-	-	-	--	mA		

REMARK

LCD option: STN, FSTN
 Backlight Option: under request.