

Silicon NPN Power Transistors

2N3448

DESCRIPTION

- With TO-3 package
- Excellent Safe Operating Area

APPLICATIONS

- Designed for medium-switching and amplifier applications.

PINNING

PIN	DESCRIPTION
1	Base
2	Emitter
3	Collector

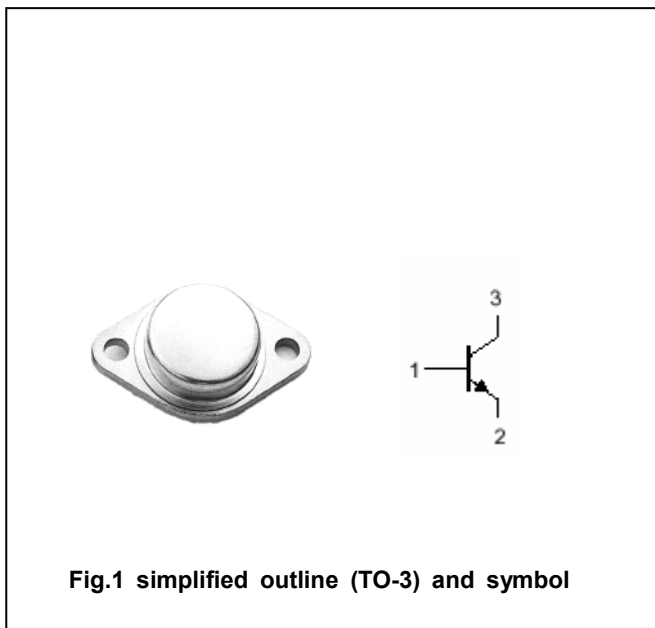


Fig.1 simplified outline (TO-3) and symbol

ABSOLUTE MAXIMUM RATINGS(Ta=25°C)

SYMBOL	PARAMETER	CONDITIONS	VALUE	UNIT
V _{CBO}	Collector-base voltage	Open emitter	100	V
V _{CEO}	Collector-emitter voltage	Open base	100	V
V _{EBO}	Emitter-base voltage	Open collector	7	V
I _C	Collector current		7.5	A
P _C	Collector power dissipation	T _C =25°C	115	W
T _j	Junction temperature		150	°C
T _{stg}	Storage temperature		-65~200	°C

THERMAL CHARACTERISTICS

SYMBOL	PARAMETER	VALUE	UNIT
R _{(th) jc}	Thermal resistance junction to case	1.17	°C/W

Silicon NPN Power Transistors

2N3448

CHARACTERISTICS

T_j=25 °C unless otherwise specified

SYMBOL	PARAMETER	CONDITIONS	MIN	TYP.	MAX	UNIT
V _{(BR)CEO}	Collector-emitter breakdown voltage	I _C =30mA ; I _B =0	100			V
V _{CE(sat)-1}	Collector-emitter saturation voltage	I _C =5A I _B =0.5A			1.2	V
V _{CE(sat)-2}	Collector-emitter saturation voltage	I _C =7A I _B =1.5A			3.0	V
V _{BE(on)}	Base-emitter on voltage	I _C =5A ; V _{CE} =5V			1.8	V
I _{CEO}	Collector cut-off current	V _{CE} =80V; I _B =0			0.7	mA
I _{CBO}	Collector cut-off current	V _{CB} =100V; I _E =0			0.1	mA
I _{EBO}	Emitter cut-off current	V _{EB} =7V; I _C =0			0.1	mA
h _{FE}	DC current gain	I _C =5A ; V _{CE} =5V	50		120	
f _T	Transition frequency	I _C =0.5A ; V _{CE} =10V		10		MHz

Silicon NPN Power Transistors

2N3448

PACKAGE OUTLINE

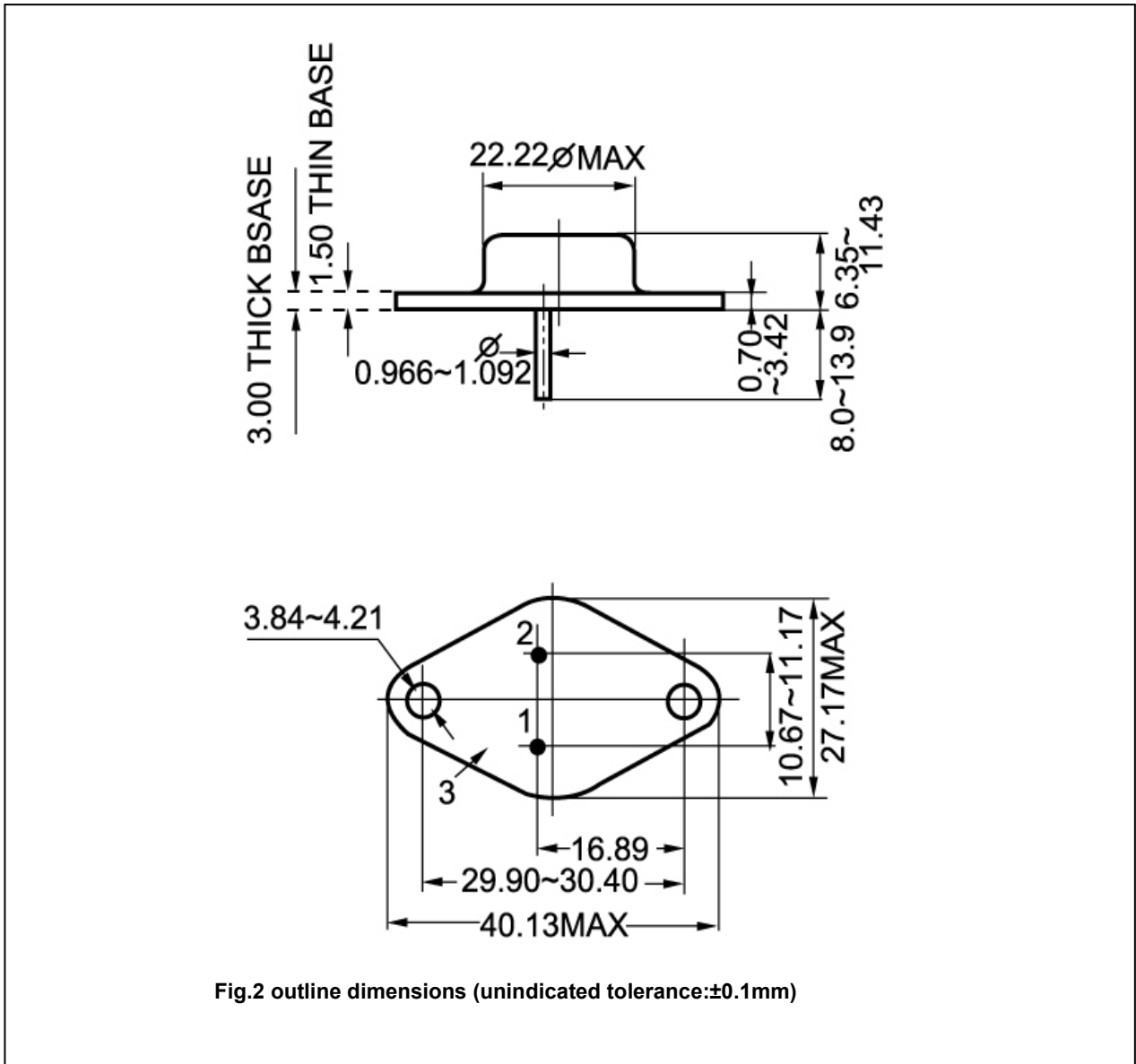


Fig.2 outline dimensions (unindicated tolerance:±0.1mm)