

Silicon NPN Power Transistors

BU2515DF

DESCRIPTION

www.datasheet4u.com

- With TO-3PFa package
- High voltage;high speed
- Built-in damper diode

APPLICATIONS

- For use in horizontal deflection circuits of PC monitors.

PINNING

| PIN | DESCRIPTION |
|-----|-------------|
| 1 | Base |
| 2 | Collector |
| 3 | Emitter |

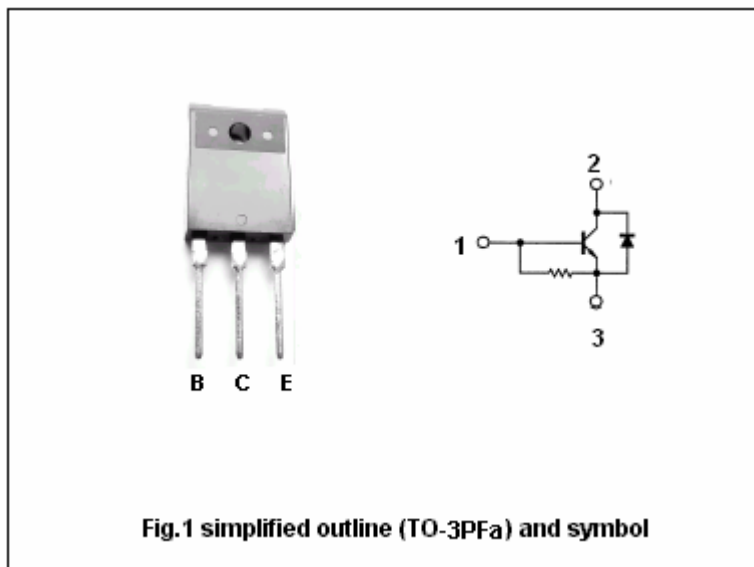


Fig.1 simplified outline (TO-3PFa) and symbol

Absolute maximum ratings(Ta=25°C)

| SYMBOL | PARAMETER | CONDITIONS | VALUE | UNIT |
|------------------|-----------------------------|----------------------|---------|------|
| V _{CBO} | Collector-base voltage | Open emitter | 1500 | V |
| V _{CEO} | Collector-emitter voltage | Open base | 800 | V |
| V _{EBO} | Emitter-base voltage | Open collector | 7.5 | V |
| I _C | Collector current (DC) | | 9 | A |
| I _{CM} | Collector current (Pulse) | | 20 | A |
| I _B | Base Collector current (DC) | | 5 | A |
| I _{BM} | Base current (Pulse) | | 7.5 | A |
| P _{tot} | Total power dissipation | T _C =25°C | 45 | W |
| T _j | Junction temperature | | 150 | °C |
| T _{stg} | Storage temperature | | -55~150 | °C |

Silicon NPN Power Transistors

BU2515DF

CHARACTERISTICS

T_j=25°C unless otherwise specified

www.datasheet4u.com

| SYMBOL | PARAMETER | CONDITIONS | MIN | TYP. | MAX | UNIT |
|----------------------|--------------------------------------|--|-----|------|------------|------|
| V _{(BR)EBO} | Emitter-base breakdown voltage | I _B =600mA ; I _C =0 | 7.5 | 13.5 | | V |
| V _{CEsat} | Collector-emitter saturation voltage | I _C =4.5A ; I _B =0.9A | | | 5.0 | V |
| V _{BEsat} | Base-emitter saturation voltage | I _C =4.5A ; I _B =0.9A | | | 1.0 | V |
| I _{CES} | Collector cut-off current | V _{CE} =BV _{CES} ; V _{BE} =0 T _j =125°C | | | 1.0 2.0 | mA |
| I _{EBO} | Emitter cut-off current | V _{EB} =6V; I _C =0 | | 130 | | mA |
| h _{FE-1} | DC current gain | I _C =1.0A ; V _{CE} =5V | | 13 | | |
| h _{FE-2} | DC current gain | I _C =4.5A ; V _{CE} =5V | 5 | 8 | 10.2 | |
| V _F | Diode forward voltage | I _F =4.5A | | | 2.2 | V |

Silicon NPN Power Transistors

BU2515DF

PACKAGE OUTLINE

www.datasheet4u.com

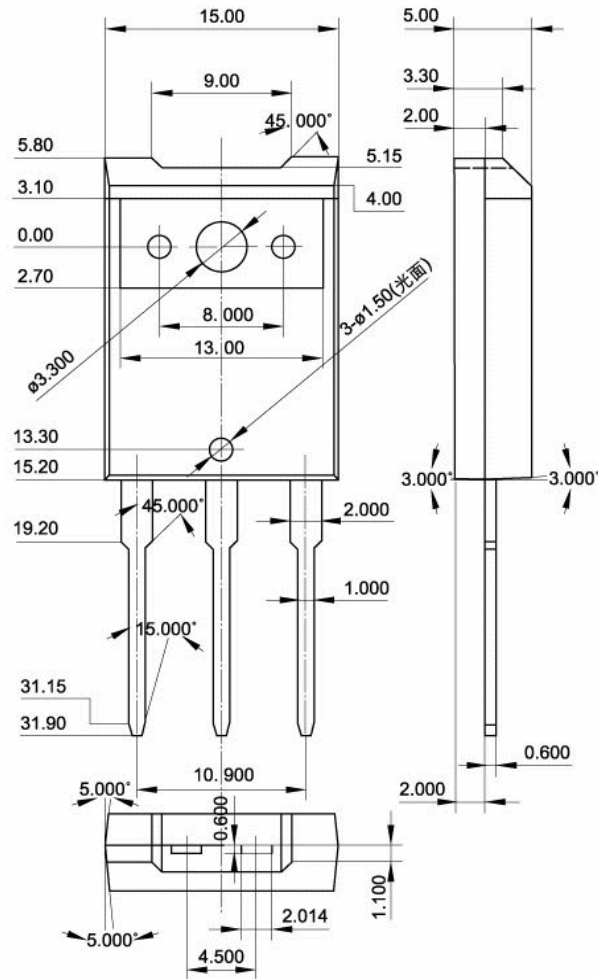


Fig.2 Outline dimensions (unindicated tolerance:±0.30mm)