



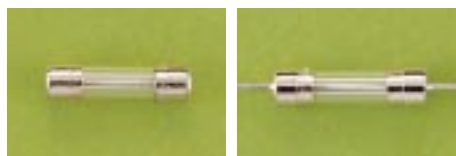
defining a degree of excellence

# Type 5ET / 5ETP

5 x 20mm Glass Tube

Time-lag Fuse Series (High Surge - proof , Enhanced - breaking Capacity)

5ETD0199



## Electrical Characteristics (IEC-127-2 STANDARD SHEET 6)

Rated Current	1.5 In		2.1 In		2.75 In		4 In		10 In	
	MIN	MAX	MIN	MAX	MIN	MAX	MIN	MAX	MIN	MAX
1A to 6.3A	1	2	600	10	150	3	20	300		
	hr.	min.	ms	sec	ms	sec	ms	ms		

## Approvals



Safety Agency Approvals	Amp range / Volt @ I.R. ability
Certificate No. 9710054 License No. 102815 Recognized File No. E20624 Acceptance File No. LR39772	1A - 6.3A / 250V AC@ 150A

## Operating Temperature

-55°C to +125°C

## Physical Specification

### Materials

Glass body / Nickel Plated Brass Caps

Lead wire :

Tin-lead plated Copper,

Diameter 0.032", 6.3A and less

### Marking

On fuse:

"bel", "T", "Current Rating", "E", "250V" & "Appropriate Safety Logos"

On label:

Above info, "5ET" or "5ETP", Interrupting Rating plus " CE "

Catalog Number	Ampere Rating	Typical Cold Resistance (ohm)	Volt-drop @100% In (Volt) max.	Melting I <sup>2</sup> T < 10 mSec (A <sup>2</sup> Sec)	Melting I <sup>2</sup> T @10 In (A <sup>2</sup> Sec)	Maximum Power Dissipation (W)
5ET (P) 1	1A	0.11	0.13	28	29	0.42
5ET (P) 1.25	1.25A	0.08	0.12	42	43	0.42
5ET (P) 1.6	1.6A	0.06	0.12	62	64	0.51
5ET (P) 2	2A	0.04	0.11	92	95	0.61
5ET (P) 2.5	2.5A	0.03	0.11	137	142	0.74
5ET (P) 3.15	3.15A	0.022	0.10	203	211	0.90
5ET (P) 4	4A	0.016	0.10	300	313	1.08
5ET (P) 5	5A	0.012	0.10	444	465	1.31
5ET (P) 6.3	6.3A	0.009	0.09	658	691	1.58

Consult manufacturer for other ratings

## Packaging

1. In bulk:

5ET - 1,000 pcs per box; 5ETP - 500 pcs per box

2. On Axial Tape & Reel:

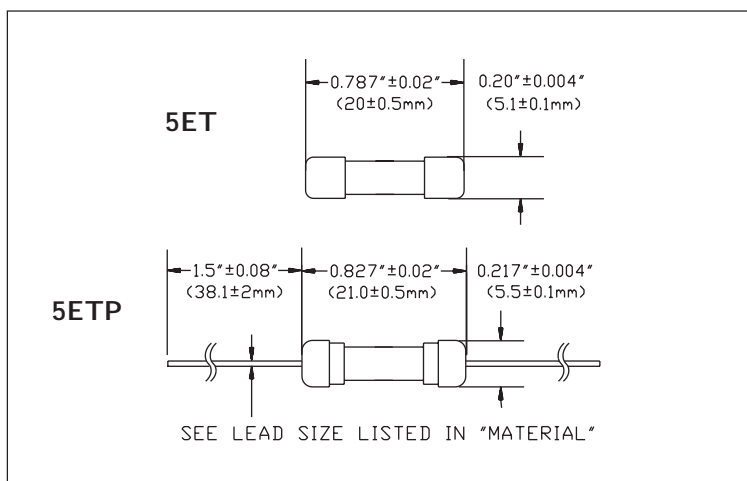
1,500 pcs per reel.

3. Tape & Reel specification:

per EIA-296-E & IEC 286-1

@ 10mm Pitch and 63.5mm inside Tape Spacing

## Mechanical Dimensions



Specifications subject to change without notice

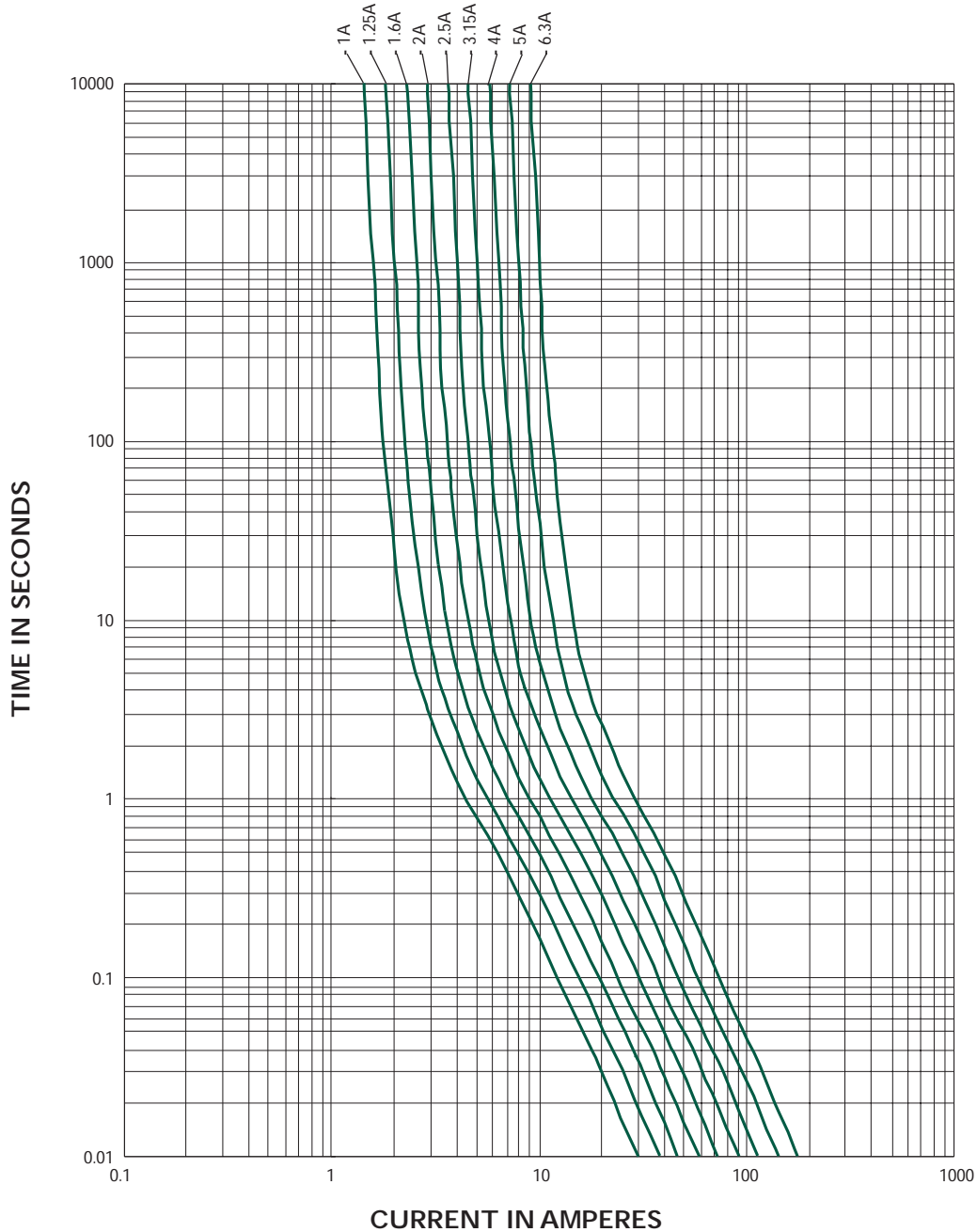
# Type 5ET / 5ETP

5 x 20mm Glass Tube

Time-lag Fuse Series (High Surge - proof , Enhanced - breaking Capacity)

5ETC0600

## 5ET / 5ETP - TIME CURRENT CHARACTERISTIC CURVE



Specifications subject to change without notice

NOTE - see important information under "User Guide" on P.08

### Corporate Office

Bel Fuse Inc.  
198 Van Vorst Street, Jersey City, NJ 07302  
Tel: 201-432-0463  
Fax: 201-432-9542  
E-Mail: [belfuse@belfuse.com](mailto:belfuse@belfuse.com)  
Internet: <http://www.belfuse.com>

### Far East Office

Bel Fuse Ltd.  
8F/8 Luk Hop Street  
San Po Kong  
Kowloon, Hong Kong  
Tel: 852-2328-5515  
Fax: 852-2352-3706

### European Office

Bel Fuse Europe Ltd.  
Preston Technology Management Centre  
Marsh Lane, Preston PR1 8U  
Lancashire, U.K  
Tel: 44-1772-556601  
Fax: 44-1772-888366